

Europe, Middle East

ENGLISH

FRANÇAIS

DEUTSCH

NEDERLANDS

ITALIANO

ESPAÑOL

PORTUGUÊS

РУССКИЙ

ČESTINA

TÜRKÇE

POLSKI

SVENSKA

SUOMI

SLOVENCINA

MAGYAR NYELV

עברית

العربية

North America/

Norteamérica

ENGLISH

FRANÇAIS

ESPAÑOL

Latin America/

América Latina

ENGLISH

ESPAÑOL

PORTUGUÊS

Asia Pacific

日本語

简体中文

繁體中文

한국어

ENGLISH

THRUSTMASTER®



SIDESTICK

AIRBUS EDITION

TCA SIDESTICK AIRBUS EDITION

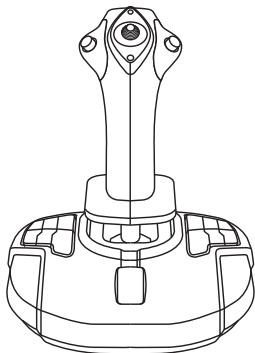
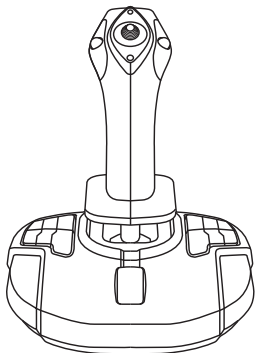
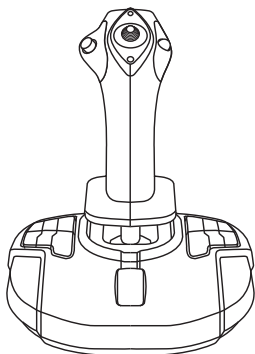
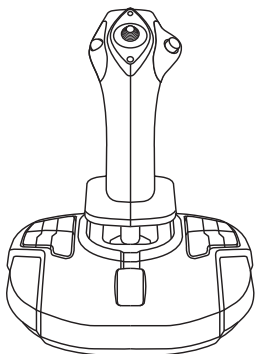
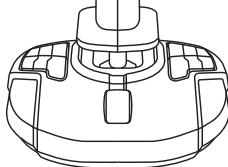
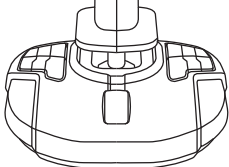
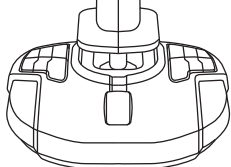
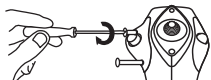
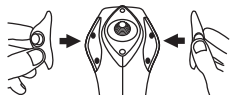
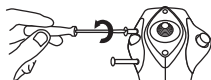


5

A

B

C



TCA SIDESTICK AIRBUS EDITION

Compatible: PC
User Manual

TECHNICAL FEATURES **I**

1. Digital trigger
2. Multidirectional "Point of View" hat switch
3. Right button module
4. Left button module
5. Rudder control via rotating handle with hand rest + locking system
6. Throttle (with 1 virtual button)
7. 15 action buttons
8. PC USB connector
9. Right-handed or left-handed buttons selector switch

GETTING TO KNOW YOUR JOYSTICK

EXCLUSIVE PRECISION TECHNOLOGY:

H.E.A.R.T: HallEffect AccuRate Technology

Your TCA Sidestick Airbus Edition joystick features technology providing it with a level of precision currently unequaled in the world of gaming joysticks, including:

- 3D (Hall Effect) magnetic sensors on the stick, with a resolution of more than 268 million values over the X and Y axes (16,384 x 16,384 values), whereas current competing systems (even high-end systems) provide resolutions in the neighborhood of only 1 million values (1,024 x 1,024 values).
- A magnet: no friction, for unlimited precision and incredible responsiveness that will last.
- A coil spring on the stick (2.8 mm): for firm, linear and ultra-fluid tension.

THROTTLE

Your joystick features a throttle **(6)**, which you can use to easily control your aircraft's engine thrust.

A virtual button (number 17, diagram 3) is enabled on the first 20 percent of the throttle's travel, in order to activate the thrust reversers, for example.

RUDDER FUNCTION

Your joystick features a rudder function (5): in an airplane, the pilot manipulates the rudder to pivot the plane around its vertical axis (making the plane turn to the left or to the right).

This rudder function is available on your joystick by rotating (i.e. twisting) the stick to the left or right.

LOCKING/UNLOCKING THE RUDDER FUNCTION 2

The rudder function can be disabled using the lock button on the back of the joystick handle.

Press this button down in order to lock the rudder's axis.

Bring this button back into the upper (i.e. default) position in order to unlock the rudder's axis.

MULTIDIRECTIONAL "POINT OF VIEW" HAT SWITCH

Your joystick features a "Point of View" hat switch (2) which, as its name indicates, allows you to instantly view everything that is going on around your aircraft (in games where this feature is enabled). To use this feature, simply go into your game's setup menu, and program the different views (rear view, view to the left, view to the right, and also external views) onto the directions of the "Point of View" hat switch.

If you wish, you can also reserve the "Point of View" hat switch for other uses instead (firing, etc.).

AMBIDEXTROUS SYSTEM

Your TCA Sidestick Airbus Edition joystick has the advantage of being fully ambidextrous, allowing it to perfectly adapt to all players, whether they are right-handed or left-handed.

To do so, three elements can be adjusted: the configuration of the buttons on the base, the right button module, and the left button module.

CONFIGURATION OF BUTTONS IN RIGHT-HANDED MODE 3

To set the positions of the 12 buttons located on the base to RIGHT-HANDED (or co-pilot/first officer) mode, set the selector switch (9) located under the joystick's base to **RIGHT HANDED** before connecting the joystick. Your product will then be recognized as a T.A320 Copilot.

CONFIGURATION OF BUTTONS IN LEFT-HANDED MODE 4

To set the positions of the 12 buttons located on the base to LEFT-HANDED (or pilot) mode, set the selector switch (9) located under the joystick's base to **LEFT HANDED** before connecting the joystick. Your product will then be recognized as a T.A320 Pilot.

CHANGING THE MODULES 5

By default, the joystick is configured in pilot mode.

To change the configuration between the four different options available:

- A. Using a small screwdriver, carefully unscrew the two screws in the button module on the left-hand side of the joystick's head.
- B. Change the modules according to your preferred configuration.
- C. Put the screws back in and completely retighten them.

PC

INSTALLATION ON PC

1. Connect the USB connector (**8**) to one of your computer's USB ports.
Windows 8 or 10 will automatically detect the new device.
2. The drivers are installed automatically.
Follow the on-screen instructions to complete the installation.
3. Click **Start/Settings/Control Panel** and double-click **Game Controllers**.
*The **Game Controllers** dialog box displays the joystick's name with **OK** status.*
4. In the **Control Panel**, click **Properties** to test and view all of your joystick's functions.
You are now ready to play!

IMPORTANT NOTE

When connecting your joystick, always set the stick and the rudder to their central positions, and avoid moving them (to avoid any calibration problems).

TROUBLESHOOTING AND WARNING

- **My joystick isn't functioning properly or seems to be improperly calibrated:**
 - Power off your computer and disconnect your joystick; then, turn your computer back on, reconnect your joystick and restart your game.
 - When connecting your joystick: always set the stick and the rudder to their central positions, and avoid moving them (to avoid any calibration problems).
- **I can't configure my joystick:**
 - In your game's **Options / Controller / Gamepad** or **Joystick** menu: select the appropriate configuration, or completely reconfigure the controller options.
 - Please refer to your game's user manual or online help utility for more information.
- **My joystick is too sensitive or not sensitive enough:**
 - Your joystick self-calibrates independently once you have made some movements along the different axes.
 - In your game's **Options / Controller / Gamepad** or **Joystick** menu: adjust the sensitivity and dead zones for your joystick (if these options are available).



This peripheral is meant for entertainment gaming purposes only, and its use is strictly forbidden for any kind of professional training activities.

CONSUMER WARRANTY INFORMATION

Worldwide, Guillemot Corporation S.A., whose registered office is located at Place du Granier, B.P. 97143, 35571 Chantepie, France (hereinafter "Guillemot") warrants to the consumer that this Thrustmaster product shall be free from defects in materials and workmanship, for a warranty period which corresponds to the time limit to bring an action for conformity with respect to this product. In the countries of the European Union, this corresponds to a period of two (2) years from delivery of the Thrustmaster product. In other countries, the warranty period corresponds to the time limit to bring an action for conformity with respect to the Thrustmaster product according to applicable laws of the country in which the consumer was domiciled on the date of purchase of the Thrustmaster product (if no such action exists in the corresponding country, then the warranty period shall be one (1) year from the original date of purchase of the Thrustmaster product).

Notwithstanding the above, rechargeable batteries are covered by a warranty period of six (6) months from the date of original purchase.

Should the product appear to be defective during the warranty period, immediately contact Technical Support, who will indicate the procedure to follow. If the defect is confirmed, the product must be returned to its place of purchase (or any other location indicated by Technical Support).

Within the context of this warranty, the consumer's defective product shall, at Technical Support's option, be either replaced or returned to working order. If, during the warranty period, the Thrustmaster product is subject to such reconditioning, any period of at least seven (7) days during which the product is out of use shall be added to the remaining warranty period (this period runs from the date of the consumer's request for intervention or from the date on which the product in question is made available for reconditioning, if the date on which the product is made available for reconditioning is subsequent to the date of the request for intervention). If permitted under applicable law, the full liability of Guillemot and its subsidiaries (including for consequential damages) is limited to the return to working order or the replacement of the Thrustmaster product. If permitted under applicable law, Guillemot disclaims all warranties of merchantability or fitness for a particular purpose.

This warranty shall not apply: (1) if the product has been modified, opened, altered, or has suffered damage as a result of inappropriate or abusive use, negligence, an accident, normal wear, or any other cause unrelated to a material or manufacturing defect (including, but not limited to, combining the Thrustmaster product with any unsuitable element, including in particular power supplies, rechargeable batteries, chargers, or any other elements not supplied by Guillemot for this product); (2) if the product has been used for any use other than home use, including for professional or commercial purposes (game rooms, training, competitions, for example); (3) in the event of failure to comply with the instructions provided by Technical Support; (4) to software, said software being subject to a specific warranty; (5) to consumables (elements to be replaced over the product's lifespan: disposable batteries, audio headset or headphone ear pads, for example); (6) to accessories (cables, cases, pouches, bags, wrist-straps, for example); (7) if the product was sold at public auction.

This warranty is nontransferable.

The consumer's legal rights with respect to laws applicable to the sale of consumer goods in his or her country are not affected by this warranty.

Additional warranty provisions

During the warranty period, Guillemot shall not provide, in principle, any spare parts, as Technical Support is the only party authorized to open and/or recondition any Thrustmaster product (with the exception of any reconditioning procedures which Technical Support may

request that the consumer carry out, by way of written instructions – for example, due to the simplicity and the lack of confidentiality of the reconditioning process – and by providing the consumer with the required spare part(s), where applicable).

Given its innovation cycles and in order to protect its know-how and trade secrets, Guillemot shall not provide, in principle, any reconditioning notification or spare parts for any Thrustmaster product whose warranty period has expired.

In the United States of America and in Canada, this warranty is limited to the product's internal mechanism and external housing. In no event shall Guillemot or its affiliates be held liable to any third party for any consequential or incidental damages resulting from the breach of any express or implied warranties. Some States/Provinces do not allow limitation on how long an implied warranty lasts or exclusion or limitation of liability for consequential or incidental damages, so the above limitations or exclusions may not apply to you. This warranty gives you specific legal rights, and you may also have other rights which vary from State to State or Province to Province.

Liability

If permitted under applicable law, Guillemot Corporation S.A. (hereinafter "Guillemot") and its subsidiaries disclaim all liability for any damages caused by one or more of the following: (1) the product has been modified, opened or altered; (2) failure to comply with assembly instructions; (3) inappropriate or abusive use, negligence, an accident (an impact, for example); (4) normal wear; (5) the use of the product for any use other than home use, including for professional or commercial purposes (game rooms, training, competitions, for example). If permitted under applicable law, Guillemot and its subsidiaries disclaim all liability for any damages unrelated to a material or manufacturing defect with respect to the product (including, but not limited to, any damages caused directly or indirectly by any software, or by combining the Thrustmaster product with any unsuitable element, including in particular power supplies, rechargeable batteries, chargers, or any other elements not supplied by Guillemot for this product).

THRUSTMASTER®

TECHNICAL SUPPORT

<https://support.thrustmaster.com>



DECLARATION OF CONFORMITY

CANADIAN COMPLIANCE NOTICE: this Class B digital apparatus meets all requirements of the Canadian Interference-Causing Equipment Regulations.

USA COMPLIANCE NOTICE: this equipment has been tested and found to comply with the limits for a Class B digital device, pursuant to Part 15 of the FCC rules. Operation is subject to the following two conditions:

- (1) This device may not cause harmful interference, and
- (2) This device must accept any interference received, including interference that may cause undesired operation.

These limits are designed to provide reasonable protection against harmful interference in a residential installation. This equipment generates, uses and can radiate radio frequency energy and, if not installed and used in accordance with the instructions, may cause harmful interference to radio communications. However, there is no guarantee that interference will not occur in a particular installation. If this equipment does cause harmful interference to radio or television reception, which can be determined by turning the equipment on and off, the user is encouraged to try to correct the interference by one or more of the following measures:

- Reorient or relocate the receiving antenna.
- Increase the separation between the equipment and receiver.
- Connect the equipment into an outlet on a circuit different from that to which the receiver is connected.
- Consult the dealer or an experienced radio/TV technician for help.

COPYRIGHT

© 2020 Guillemot Corporation S.A. All rights reserved. Thrustmaster® is a registered trademark of Guillemot Corporation S.A. Windows® is a registered trademark of Microsoft Corporation in the United States and/or other countries.

AIRBUS, its logo and product and service marks are registered trademarks of Airbus. All rights reserved.

© Airbus 2020. All rights reserved. Officially licensed by Airbus.

All other trademarks and brand names are hereby acknowledged and are property of their respective owners. Illustrations not binding. Contents, designs and specifications are subject to change without notice and may vary from one country to another. Made in China.

ENVIRONMENTAL PROTECTION RECOMMENDATION



* In the European Union: At the end of its working life, this product should not be disposed of with standard household waste, but rather dropped off at a collection point for the disposal of Waste Electrical and Electronic Equipment (WEEE) for recycling. This is confirmed by the symbol found on the product, user manual or packaging.

Depending on their characteristics, the materials may be recycled. Through recycling and other forms of processing Waste Electrical and Electronic Equipment, you can make a significant contribution towards helping to protect the environment.

Please contact your local authorities for information on the collection point nearest you.

For all other countries: Please adhere to local recycling laws for electrical and electronic equipment.

Retain this information. Colors and decorations may vary.

Plastic fasteners and adhesives should be removed from the product before it is used.

www.thrustmaster.com

**Applicable to EU and Turkey only*

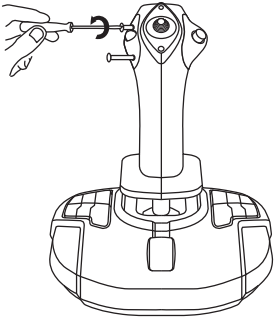


TCA SIDESTICK AIRBUS EDITION

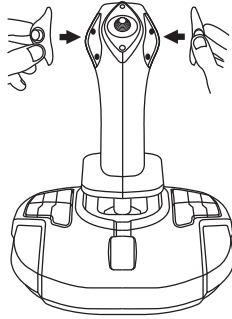


5

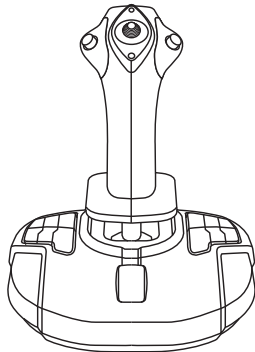
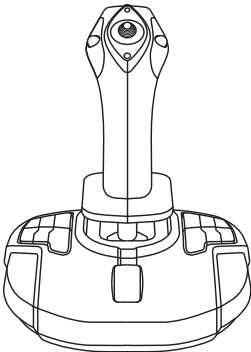
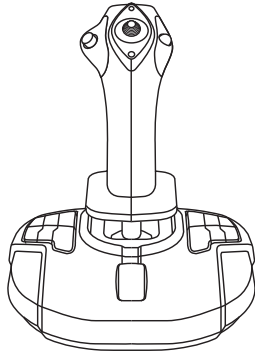
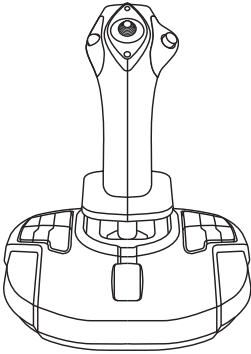
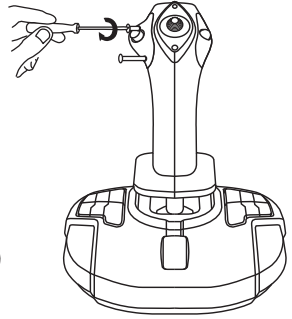
A



B



C



TCA SIDESTICK AIRBUS EDITION

Compatible : PC
Manuel de l'utilisateur

CARACTERISTIQUES TECHNIQUES ①

1. Détente numérique
2. Croix multidirectionnelle Point de vue
3. Module bouton droit
4. Module bouton gauche
5. Palonnier par rotation du manche avec repose-main + verrouillage
6. Manette des gaz plus 1 bouton virtuel
7. 15 boutons d'action
8. Connecteur USB PC
9. Sélecteur Boutons pour droitier ou gaucher

A LA DECOUVERTE DE VOTRE JOYSTICK

TECHNOLOGIE DE PRÉCISION EXCLUSIVE

H.E.A.R.T : HallEffect AccuRate Technology

Votre joystick TCA Sidestick Airbus Edition a la particularité de disposer d'une technologie qui lui permet une précision inégalée à ce jour dans l'univers des joysticks de jeu avec :

- des capteurs magnétiques 3D (à effet Hall) sur le manche d'une résolution de plus de 268 millions de valeurs sur l'ensemble des axes X et Y (soit 16384 x 16384) alors que les systèmes actuels concurrents (même haut de gamme) varient aux alentours de seulement 1 million de valeurs (soit 1024 x 1024) ;
- un aimant, pour éviter toute friction et garantir une précision illimitée dans le temps ;
- un ressort de manche hélicoïdal de 2,8 mm, pour une tension ferme, linéaire et ultra fluide.

MANETTE DES GAZ

Votre joystick dispose d'une manette des gaz (6) grâce à laquelle vous pourrez aisément contrôler la poussée de votre moteur.

Un bouton virtuel (n° 17, schéma 3) s'active sur les 20 premiers pourcents afin d'activer les inverseurs de poussée, par exemple.

FONCTION PALONNIER

Votre joystick dispose d'une fonction palonnier **(5)** qui correspond, dans un avion, au palonnier actionné par le pilote pour braquer la gouverne de direction, permettant de faire pivoter l'avion autour de son axe vertical (entraînant ainsi un virage de l'avion vers la gauche ou la droite). Cette fonction palonnier est accessible sur votre joystick par rotation du manche vers la gauche ou la droite.

VERROUILLAGE/DÉVERROUILLAGE DE LA FONCTION PALONNIER **2**

La fonction palonnier est désactivable via le bouton de verrouillage intégré à l'arrière du manche.

Pressez ce bouton vers le bas afin de verrouiller l'axe de palonnier.

Remontez ce bouton en position haute afin de le déverrouiller.

CROIX MULTIDIRECTIONNELLE POINT DE VUE

Votre joystick est doté d'une croix point de vue **(2)** qui, comme son nom l'indique, vous permettra (dans les jeux le permettant) de surveiller instantanément tout ce qui se passe autour de votre avion. Il vous suffit pour cela, depuis le menu de configuration de votre jeu, de programmer les différentes vues (vue arrière, vue sur la gauche, vue sur la droite, mais aussi vues externes) sur les directions de la croix point de vue.

Vous pouvez bien entendu réserver la croix point de vue à d'autres utilisations (tir, etc.).

SYSTEME AMBIDEXTRE

Votre joystick TCA Sidestick Airbus Edition a l'avantage d'être entièrement ambidextre afin de s'adapter parfaitement à tous les joueurs, qu'ils soient droitiers ou gauchers.

Pour ce faire, trois éléments sont ajustables : la disposition des boutons sur la base, le module bouton droit ainsi que le module bouton gauche.

CONFIGURATION DES BOUTONS EN MODE DROITIER **3**

Pour ajuster la position des 12 boutons situés sur la base en mode DROITIER (ou copilote), positionnez le sélecteur **(9)** situé sous la base du joystick sur RIGHT HANDED avant de le brancher. Votre produit est alors reconnu en tant que T.A320 Copilot.

CONFIGURATION DES BOUTONS EN MODE GAUCHER **4**

Pour ajuster la position des boutons en mode GAUCHER (ou pilote), positionnez le sélecteur **(9)** situé sous la base du joystick sur LEFT HANDED avant de le brancher. Votre produit est alors reconnu en tant que T.A320 Pilot.

AJUSTEMENT DES MODULES **5**

Par défaut, le joystick est configuré en mode pilote.

Pour changer la configuration parmi l'une des quatre possibles :

A. A l'aide d'un petit tournevis, dévissez les deux vis du module bouton situé à gauche du joystick.

B. Échangez les modules selon la configuration souhaitée.

C. Revissez complètement les vis.

PC

INSTALLATION SUR PC

1. Reliez le connecteur USB **(8)** à l'un des ports USB de votre unité centrale.
Windows 8 ou 10 détectera automatiquement le nouveau périphérique.
 2. L'installation des pilotes est automatique.
Suivez les instructions affichées à l'écran pour terminer l'installation.
 3. Sélectionnez **Démarrer/Paramètres/Panneau de configuration** puis double-cliquez sur **Contrôleurs de jeu**.
*La boîte de dialogue **Contrôleurs de jeu** affichera le nom du joystick avec l'état **OK**.*
 4. Dans le **Control Panel**, cliquez sur **Propriétés** pour tester et visualiser l'ensemble des fonctions.
- Vous êtes maintenant prêt à jouer !**

REMARQUES IMPORTANTES

Lorsque vous branchez votre joystick, laissez toujours le manche et le palonnier centrés et évitez de les déplacer pour éviter tout problème de calibration.

DEPANNAGE ET AVERTISSEMENT

- **Mon joystick ne fonctionne pas correctement ou semble mal calibré.**
 - Eteignez votre ordinateur et débranchez votre joystick. Rallumez votre ordinateur, rebranchez votre joystick et relancez votre jeu.
 - Lorsque vous branchez votre joystick, laissez le manche et le palonnier centrés et évitez de les déplacer (pour éviter tout problème de calibration).
- **Je n'arrive pas à configurer mon joystick.**
 - Dans le menu **Options / Contrôleur / Manettes** ou **Joystick** de votre jeu, choisissez la configuration appropriée ou reconfigurez complètement les options du contrôleur.
 - Reportez-vous au manuel de l'utilisateur ou à l'aide en ligne de votre jeu pour plus d'informations.
- **Mon joystick est trop ou pas assez sensible.**
 - Votre joystick s'auto-calibre de manière autonome après quelques mouvements effectués sur les différents axes.
 - Dans le menu **Options / Contrôleur / Manettes** ou **Joystick** de votre jeu, ajustez la sensibilité et les zones mortes de votre contrôleur (si l'option est disponible).



Ce périphérique est destiné à un usage de jeu de divertissement uniquement. Il est strictement interdit de l'utiliser dans le cadre d'activités de formation professionnelle.

INFORMATIONS RELATIVES A LA GARANTIE AUX CONSOMMATEURS

Dans le monde entier, Guillemot Corporation S.A., ayant son siège social Place du Granier, B.P. 97143, 35571 Chantepie, France (ci-après « Guillemot ») garantit au consommateur que le présent produit Thrustmaster est exempt de défaut matériel et de vice de fabrication, et ce, pour une période de garantie qui correspond au délai pour intenter une action en conformité de ce produit. Dans les pays de l'Union Européenne, ce délai est de deux (2) ans à compter de la délivrance du produit Thrustmaster. Dans les autres pays, la durée de la période de garantie correspond au délai pour intenter une action en conformité du produit Thrustmaster selon la législation en vigueur dans le pays où le consommateur avait son domicile lors de l'achat du produit Thrustmaster (si une telle action en conformité n'existe pas dans ce pays alors la période de garantie est de un (1) an à compter de la date d'achat d'origine du produit Thrustmaster).

Si, au cours de la période de garantie, le produit semble défectueux, contactez immédiatement le Support Technique qui vous indiquera la procédure à suivre. Si le défaut est confirmé, le produit devra être retourné à son lieu d'achat (ou tout autre lieu indiqué par le Support Technique).

Dans le cadre de la garantie, le consommateur bénéficiera, au choix du Support Technique, d'un remplacement ou d'une remise en état de marche du produit défectueux. Si, pendant la période de garantie, le produit Thrustmaster fait l'objet d'une telle remise en état, toute période d'immobilisation d'au moins sept jours vient s'ajouter à la durée de la garantie qui restait à courir (cette période court à compter de la demande d'intervention du consommateur ou de la mise à disposition pour remise en état du produit en cause, si cette mise à disposition est postérieure à la demande d'intervention). Lorsque la loi applicable l'autorise, toute responsabilité de Guillemot et ses filiales (y compris pour les dommages indirects) se limite à la remise en état de marche ou au remplacement du produit Thrustmaster. Lorsque la loi applicable l'autorise, Guillemot exclut toutes garanties de qualité marchande ou d'adaptation à un usage particulier.

Cette garantie ne s'appliquera pas : (1) si le produit a été modifié, ouvert, altéré, ou a subi des dommages résultant d'une utilisation inappropriée ou abusive, d'une négligence, d'un accident, de l'usure normale, ou de toute autre cause non liée à un défaut matériel ou à un vice de fabrication (y compris, mais non limitativement, une combinaison du produit Thrustmaster avec tout élément inadapté, notamment alimentations électriques, batteries, chargeurs, ou tous autres éléments non-fournis par Guillemot pour ce produit) ; (2) si le produit a été utilisé en dehors du cadre privé, à des fins professionnelles ou commerciales (salles de jeu, formations, compétitions, par exemple). (3) en cas de non respect des instructions du Support Technique ; (4) aux logiciels, lesdits logiciels faisant l'objet d'une garantie spécifique ; (5) aux consommables (éléments à remplacer pendant la durée de vie du produit : piles, coussinets de casque audio, par exemple) ; (6) aux accessoires (câbles, étuis, housses, sacs, dragonnes, par exemple) ; (7) si le produit a été vendu aux enchères publiques.

Cette garantie n'est pas transférable.

Les droits légaux du consommateur au titre de la législation applicable dans son pays à la vente de biens de consommation ne sont pas affectés par la présente garantie.

Par exemple, en France, indépendamment de la présente garantie, le vendeur reste tenu de la garantie légale de conformité mentionnée aux articles L. 217-4 à L.217-12 du code de la consommation et de celle relative aux défauts (vices cachés) de la chose vendue, dans les conditions prévues aux articles 1641 à 1648 et 2232 du code civil. La loi applicable (c'est-à-dire la loi française) impose de reproduire les extraits de la loi française suivants :

Article L. 217-4 du code de la consommation :

Le vendeur livre un bien conforme au contrat et répond des défauts de conformité existant lors de la délivrance.

Il répond également des défauts de conformité résultant de l'emballage, des instructions de montage ou de l'installation lorsque celle-ci a été mise à sa charge par le contrat ou a été réalisée sous sa responsabilité.

Article L. 217-5 du code de la consommation :

Le bien est conforme au contrat :

1° S'il est propre à l'usage habituellement attendu d'un bien semblable et, le cas échéant :

- s'il correspond à la description donnée par le vendeur et possède les qualités que celui-ci a présentées à l'acheteur sous forme d'échantillon ou de modèle ;

- s'il présente les qualités qu'un acheteur peut légitimement attendre eu égard aux déclarations publiques faites par le vendeur, par le producteur ou par son représentant, notamment dans la publicité ou l'étiquetage ;

2° Ou s'il présente les caractéristiques définies d'un commun accord par les parties ou est propre à tout usage spécial recherché par l'acheteur, porté à la connaissance du vendeur et que ce dernier a accepté.

Article L. 217-12 du code de la consommation :

L'action résultant du défaut de conformité se prescrit par deux ans à compter de la délivrance du bien.

Article L. 217-16 du code de la consommation :

Lorsque l'acheteur demande au vendeur, pendant le cours de la garantie commerciale qui lui a été consentie lors de l'acquisition ou de la réparation d'un bien meuble, une remise en état couverte par la garantie, toute période d'immobilisation d'au moins sept jours vient s'ajouter à la durée de la garantie qui restait à courir.

Cette période court à compter de la demande d'intervention de l'acheteur ou de la mise à disposition pour réparation du bien en cause, si cette mise à disposition est postérieure à la demande d'intervention.

Article L. 1641 du code civil:

Le vendeur est tenu de la garantie à raison des défauts cachés de la chose vendue qui la rendent impropre à l'usage auquel on la destine, ou qui diminuent tellement cet usage que l'acheteur ne l'aurait pas acquise, ou n'en aurait donné qu'un moindre prix, s'il les avait connus.

Article L. 1648 alinéa 1^{er} du code civil:

L'action résultant des vices rédhibitoires doit être intentée par l'acquéreur dans un délai de deux ans à compter de la découverte du vice.

Stipulations additionnelles à la garantie

Pendant la période de garantie, Guillemot ne fournira, en principe, pas de pièce détachée car le Support Technique est seul habilité tant à ouvrir qu'à remettre en état tout produit Thrustmaster (à l'exception des remises en état que le Support Technique demanderait, par instructions écrites, au consommateur d'effectuer -par exemple en raison de la simplicité et de l'absence de confidentialité du processus de remise en état-, en lui fournissant, le cas échéant, la ou les pièces détachées nécessaires).

Compte tenu de ses cycles d'innovation et pour préserver ses savoir-faire et secrets, Guillemot ne fournira, en principe, ni notice de remise en état, ni pièce détachée pour tout produit Thrustmaster dont la période de garantie est expirée.

Aux États-Unis d'Amérique et au Canada, la présente garantie est limitée au mécanisme interne et au boîtier externe du produit. En aucun cas, Guillemot ou ses sociétés affiliées ne sauraient être tenues responsables envers qui que ce soit de tous dommages indirects ou dommages accessoires résultant du non respect des garanties expresses ou implicites. Certains États/Provinces n'autorisent pas la limitation sur la durée d'une garantie implicite, ou l'exclusion ou la limitation de responsabilité pour les dommages indirects ou accessoires, de sorte que les limitations ou exclusions ci-dessus peuvent ne pas vous être applicables. Cette garantie vous confère des droits spécifiques ; vous pouvez également bénéficier d'autres droits qui peuvent différer d'un État/Province à l'autre.

Responsabilité

Lorsque la loi applicable l'autorise, Guillemot Corporation S.A. (ci-après « Guillemot ») et ses filiales excluent toute responsabilité pour tous dommages causés par un ou plusieurs des faits suivants: (1) le produit a été modifié, ouvert, altéré, (2) l'irrespect des instructions de montage, (3) l'utilisation inappropriée ou abusive, la négligence, l'accident (un choc, par exemple), (4) l'usure normale du produit, (5) l'utilisation du produit en dehors du cadre privé, à des fins professionnelles ou commerciales (salles de jeu, formations, compétitions, par exemple). Lorsque la loi applicable l'autorise, Guillemot et ses filiales excluent toute responsabilité pour tout dommage dont la cause n'est pas liée à un défaut matériel ou à un vice de fabrication du produit (y compris, mais non limitativement, tout dommage causé directement ou indirectement par tout logiciel, ou par une combinaison du produit Thrustmaster avec tout élément inadapté, notamment alimentations électriques, batteries, chargeurs, ou tous autres éléments non-fournis par Guillemot pour ce produit).

THRUSTMASTER®

SUPPORT TECHNIQUE

<http://support.thrustmaster.com>



Déclaration de conformité

UTILISATEURS CANADIENS :

Cet appareil numérique de la classe B respecte toutes les exigences du Règlement sur le matériel brouilleur du Canada.

COPYRIGHT

© 2020 Guillemot Corporation S.A. Tous droits réservés. Thrustmaster® est une marque déposée de Guillemot Corporation S.A. Windows® est une marque déposée de Microsoft Corporation aux Etats-Unis et/ou dans d'autres pays.

AIRBUS, son logo et les marques de produit et de service sont des marques déposées d'Airbus. Tous droits réservés. © Airbus 2020. Tous droits réservés. Sous licence officielle Airbus.

Toutes les autres marques sont la propriété de leurs propriétaires respectifs. Illustrations non contractuelles. Le contenu, la conception et les spécifications sont susceptibles de changer sans préavis et de varier selon les pays. Fabriqué en Chine.

RECOMMANDATION RELATIVE A LA PROTECTION DE L'ENVIRONNEMENT



* Dans l'Union Européenne : En fin de vie, ce produit ne doit pas être éliminé avec les déchets ménagers normaux mais déposé à un point de collecte des déchets d'équipements électriques et électroniques en vue de son recyclage.

Ceci est confirmé par le symbole figurant sur le produit, le manuel utilisateur ou l'emballage.

En fonction de leurs caractéristiques, les matériaux peuvent être recyclés. Par le recyclage et par les autres formes de valorisation des déchets d'équipements électriques et électroniques, vous contribuez de manière significative à la protection de l'environnement. Veuillez consulter les autorités locales qui vous indiqueront le point de collecte concerné.

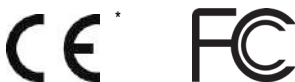
Dans les autres pays : Veuillez vous reporter aux législations locales relatives au recyclage des équipements électriques et électroniques.

Informations à conserver. Les couleurs et décorations peuvent varier.

Il est recommandé de retirer les attaches en plastique et les adhésifs avant d'utiliser le produit.

www.thrustmaster.com

**Applicable à l'UE et la Turquie uniquement*



TCA SIDESTICK AIRBUS EDITION

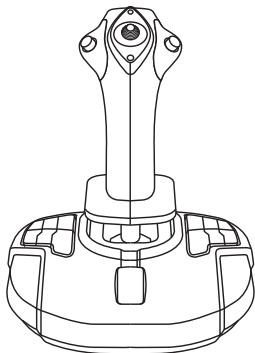
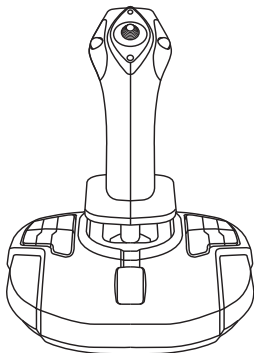
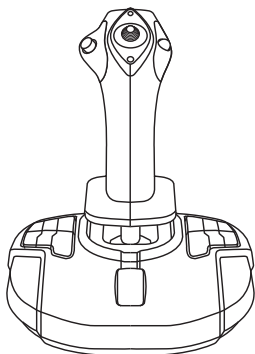
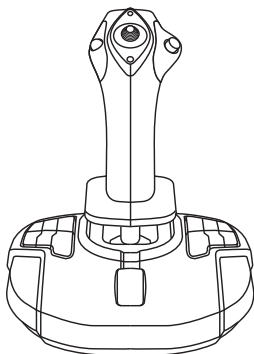
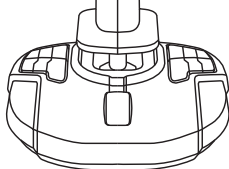
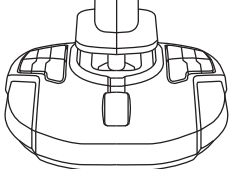
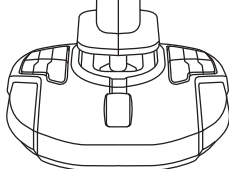
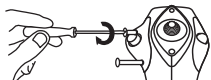
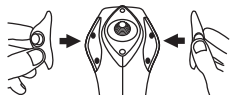
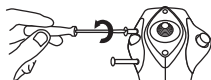


5

A

B

C



TCA SIDESTICK AIRBUS EDITION

Kompatibel: PC
Benutzerhandbuch

TECHNISCHE MERKMALE ①

1. Digitaler Trigger
2. Mehrwege-"Point of View"-Kopfschalter
3. Tastenmodul rechts
4. Tastenmodul links
5. Drehruder mit drehbarem Steuerknüppel mit Handablage + Verschlussystem
6. Schubregler (mit 1 virtueller Taste)
7. 15 Action-Buttons
8. PC-USB-Anschluss
9. Auswahlschalter: rechts-/linkshändige Konfiguration

DEN JOYSTICK KENNENLERNEN

EXKLUSIVE PRÄZISIONS-TECHNOLOGIE:

H.E.A.R.T: Halleffect AccuRate Technology

Der TCA Sidestick Airbus Edition-Joystick ist mit einer besonderen Technologie ausgestattet, die ein bisher unerreichtes Präzisionsniveau in der Welt der Gaming-Joysticks bietet:

- 3D-(Hall-Effekt)-Magnetsensoren am Steuerknüppel mit einer Auflösung von mehr als 268 Mio. Werten auf den X- und Y-Achsen (16.384 x 16.384 Werte), aktuelle Systeme von Wettbewerbern (sogar Highend-Systeme) schaffen Auflösungen von nur etwa 1 Million Werten (1.024 x 1.024 Werte).

- Magnet: keine Reibung, für unbegrenzte Präzision und unglaubliche, dauerhafte Reaktionsfähigkeit.

- Sprungfeder am Joystick (2,8 mm): für kräftiges, lineares und besonders flüssiges Feedback.

SCHUBHEBEL

Der Joystick verfügt über einen Schubhebel (6), mit dem der Turbinenschub des Luftfahrzeugs ganz einfach gesteuert werden kann.

Eine virtuelle Taste (Nummer 17, Diagramm 3) ist für die ersten 20% des Schubhebel-Laufweges integriert, um beispielsweise die Schubumkehr zu aktivieren.

STEUERRUDER-FUNKTION

Der Joystick verfügt über eine Steuerruder-Funktion (5): der Pilot benutzt das Steuerruder, um das Flugzeug um seine vertikale Achse zu schwenken (dadurch fliegt das Flugzeug nach links oder rechts).

Diese Steuerruder-Funktion wird am Joystick durch Drehen des Sticks nach links oder rechts verfügbar.

VERRIEGELUNG/ENTRIEGELUNG DER STEUERRUDER-FUNKTION 2

Die Steuerruder-Funktion kann durch die Verschlussstaste auf der Rückseite des Joystickgriffs deaktiviert werden.

Drücken Sie diese Taste nach unten, um die Ruderachse zu verriegeln.

Bringen Sie diese Taste wieder in die Ausgangsposition (d.h. oben), um die Ruderachse zu entriegeln.

MEHRWEGE-“POINT OF VIEW“-KOPFSCHALTER

Der Joystick verfügt über einen “Point of View“-Kopfschalter (2), der es – wie der Name schon sagt – dem Spieler ermöglicht, augenblicklich die Außenansicht des Luftfahrzeuges anzuzeigen (in Spielen, die diese Funktion unterstützen). Um diese Funktion verwenden zu können, rufen Sie das Menü mit den Einstellungen im Spiel auf und programmieren Sie die unterschiedlichen Ansichten (Rückansicht, Ansicht links, Ansicht rechts und auch Außenansicht) passend zu den Richtungen am “Point of View“-Kopfschalter.

Auf Wunsch kann der “Point of View“-Kopfschalter auch für andere Zwecke verwendet werden (z.B. Feuern etc.).

BEIDHÄNDIGES SYSTEM

Der TCA Sidestick Airbus Edition-Joystick hat den Vorteil der vollständigen beidhändigen Bedienbarkeit. Dadurch kann dieser an jeden Spieler angepasst werden, egal ob Rechts- oder Linkshänder.

Dafür können drei Elemente eingestellt werden: die Tasten-Konfigurierung an der Basis, das rechte Tastenmodul und das linke Tastenmodul.

TASTEN-KONFIGURIERUNG IM RECHTSHÄNDIG-MODUS 3

Um die Position der 12 Tasten an der Basis auf den Modus RECHTSHÄNDIG (oder auf Co-Pilot/erster Offizier) einzustellen, stellen Sie den Auswahlsschalter (9) an der Unterseite der Joystick-Basis auf **RIGHT HANDED**, bevor Sie den Joystick anschließen. Das Produkt wird dann als T.A320 Copilot erkannt.

TASTEN-KONFIGURIERUNG IM LINKSHÄNDIG-MODUS 4

Um die Position der 12 Tasten an der Basis auf den Modus LINKSHÄNDIG (oder Pilot) einzustellen, stellen Sie den Auswahlsschalter (9) an der Unterseite der Joystick-Basis auf **LEFT HANDED**, bevor Sie den Joystick anschließen. Das Produkt wird dann als T.A320 Pilot erkannt.

MODULE AUSTAUSCHEN **5**

Der Joystick ist auf den Pilotenmodus vorkonfiguriert.

Um die Konfigurierung zwischen den vier verfügbaren Auswahlmöglichkeiten einzustellen:

- A. Lösen Sie vorsichtig die beiden Schrauben am Tastenmodul auf der linken Seite des Joystickkopfes mit einem kleinen Schraubenzieher.
- B. Tauschen Sie die Module entsprechend Ihrer bevorzugten Konfiguration aus.
- C. Setzen Sie die Schrauben wieder ein und ziehen Sie diese komplett an.

PC

INSTALLATION AUF PC

1. Schließen Sie den USB-Stecker **(8)** an einem Ihrer USB-Ports am Computer an.
Windows 8 oder 10 wird das neue Gerät automatisch erkennen.
2. Die Treiber werden automatisch installiert.
Folgen Sie den Anweisungen auf dem Bildschirm, um die Installation durchzuführen.
3. Klicken Sie auf **Start/Einstellungen/Systemsteuerung** und doppelklicken Sie auf **Game-Controller**.
*Die Dialogbox **Game-Controller** zeigt den Namen des Joysticks mit dem Status **OK** an.*
4. Klicken sie in der **Systemsteuerung** auf **Einstellungen**, um alle Joystick-Funktionen zu testen und anzuzeigen.

Sie sind jetzt bereit zu spielen!

WICHTIGER HINWEIS

Sobald der Joystick angeschlossen ist, setzen Sie den Steuerknüppel und das Steuerruder auf ihre zentrale Position zurück und vermeiden Sie sie zu bewegen (um Probleme bei der Kalibrierung zu vermeiden).

PROBLEMBEBEHUNG UND WARNHINWEIS

- **Mein Joystick funktioniert nicht richtig oder scheint falsch eingestellt zu sein:**
 - Schalten Sie Ihren Computer aus und trennen Sie den Joystick; starten Sie anschließend den Computer, verbinden Sie den Joystick wieder und starten Sie das Spiel neu.
 - Wenn Sie Ihren Joystick anschließen: setzen Sie den Steuerknüppel und das Steuerruder auf ihre zentrale Position zurück und vermeiden Sie sie zu bewegen (um Probleme bei der Kalibrierung zu vermeiden).
- **Mein Joystick lässt sich nicht konfigurieren:**
 - Rufen Sie im Spiel das Menü **Optionen / Controller / Gamepad** oder **Joystick** auf: wählen Sie die entsprechende Einstellung aus oder konfigurieren Sie die Controller-Einstellungen komplett neu.
 - Bitte ziehen Sie das Benutzerhandbuch des Spiels oder die Online-Hilfefunktion für weiterführende Informationen zu Hilfe.

- **Mein Joystick ist zu empfindlich oder nicht empfindlich genug eingestellt:**

- Der Joystick kalibriert sich eigenständig, sobald Bewegungen entlang verschiedener Achsen ausgeführt werden.
- Rufen Sie im Spiel das Menü **Optionen / Controller / Gamepad** oder **Joystick** auf: stellen Sie die Empfindlichkeit und Deadzones für Ihren Joystick ein (falls diese Optionen verfügbar sind).



Dieses Peripheriegerät ist nur für Unterhaltungs- und Gamingzwecke bestimmt. Seine Nutzung für jegliche Art von professionellen Ausbildungsmaßnahmen ist streng untersagt.

Kunden-Garantie-Information

Guillemot Corporation S.A. mit Hauptfirmensitz in Place du Granier, B.P. 97143, 35571 Chantepie, France (fortfolgend "Guillemot") garantiert Kunden weltweit, daß dieses Thrustmaster Produkt frei von Mängeln in Material und Verarbeitung für eine Gewährleistungsfrist ist, die mit der Frist für eine Mängelrüge bezüglich des Produktes übereinstimmt. In den Ländern der Europäischen Union entspricht diese einem Zeitraum von zwei (2) Jahren ab Kaufdatum des Thrustmaster Produktes. In anderen Ländern entspricht die Gewährleistungsfrist der zeitlichen Begrenzung für eine Mängelrüge bezüglich des Thrustmaster Produktes in Übereinstimmung mit anwendbarem Recht des Landes, in dem der Kunde zum Zeitpunkt des Erwerbs eines Thrustmaster Produktes wohnhaft ist. Sollte eine entsprechende Regelung in dem entsprechenden Land nicht existieren, umfasst die Gewährleistungspflicht einen Zeitraum von einem (1) Jahr ab dem originären Kaufdatum des Thrustmaster Produktes.

Sollten bei dem Produkt innerhalb der Gewährleistungsfrist Defekte auftreten, kontaktieren Sie unverzüglich den technischen Kundendienst, der die weitere Vorgehensweise anzeigt. Wurde der Defekt bestätigt, muß das Produkt an die Verkaufsstelle (oder an eine andere Stelle, je nach Maßgabe des technischen Kundendienstes) retourniert werden.

Im Rahmen dieser Garantie sollte das defekte Produkt des Kunden, je nach Entscheidung des technischen Kundendienstes, entweder ausgetauscht oder repariert werden. Sollte während der Garantiezeit das Thrustmaster Produkt einer derartigen Instandsetzung unterliegen und das Produkt während eines Zeitraums von mindestens sieben (7) Tagen nicht benutzbar sein, wird diese Zeit der restlichen Garantiezeit hinzugefügt. Diese Frist läuft ab dem Zeitpunkt, an dem der Wunsch des Verbrauchers bezüglich einer Intervention vorliegt oder ab dem Tag, an dem das fragliche Produkt zur Instandsetzung zur Verfügung steht, falls das Datum, an dem das Produkt zur Instandsetzung zur Verfügung steht, dem Datum des Antrags auf Intervention nachfolgt. Wenn nach geltendem Recht zulässig, beschränkt sich die volle Haftung von Guillemot und ihrer Tochtergesellschaften auf die Reparatur oder den Austausch des Thrustmaster Produktes (inklusive Folgeschäden). Wenn nach geltendem Recht zulässig, lehnt Guillemot alle Gewährleistungen der Marktgängigkeit oder Eignung für einen bestimmten Zweck ab.

Der Gewährleistungsanspruch verfällt: (1) Falls das Produkt modifiziert, geöffnet, verändert oder ein Schaden durch unsachgemäßen oder missbräuchlichen Gebrauch hervorgerufen wurde, sowie durch Fahrlässigkeit, einen Unfall, Verschleiß oder irgendeinem anderen Grund – aber nicht durch Material- oder Herstellungsfehler (einschließlich, aber nicht beschränkt auf, die Kombination der Thrustmaster Produkte mit ungeeigneten Elementen, insbesondere Netzteile, Akkus, Ladegeräte, oder andere Elemente, die von Guillemot für dieses Produkt nicht mitgeliefert wurden); (2) Falls das Produkt für eine andere Nutzung als zum privaten Hausgebrauch, einschließlich für professionelle oder kommerzielle Zwecke (z. B. Spielhallen, Training, Wettkämpfe) verwendet wird; (3) Im Falle

der Nichteinhaltung der durch den technischen Support erteilten Anweisungen; (4) Durch Software. Die besagte Software ist Gegenstand einer speziellen Garantie; (5) Bei Verbrauchsmaterialien (Elemente, die während der Produktlebensdauer ausgetauscht werden, wie z. B. Einwegbatterien, Ohrpolster für ein Audioheadset oder für Kopfhörer); (6) Bei Accessoires (z. B. Kabel, Etuis, Taschen, Beutel, Handgelenk-Riemen); (7) Falls das Produkt in einer öffentlichen Versteigerung verkauft wurde. Diese Garantie ist nicht übertragbar.

Die Rechte des Kunden in Übereinstimmung mit anwendbarem Recht bezüglich des Verkaufs auf Konsumgüter im Land der/der Kunden/Kundin wird durch diese Garantie nicht beeinträchtigt.

Zusätzliche Gewährleistungsbestimmungen

Während der Garantiezeit bietet Guillemot grundsätzlich keine Ersatzteile an, da der technische Kundendienst der einzige autorisierte Partner zum Öffnen und/oder Instandsetzen jedweden Thrustmaster-Produkts ist (mit Ausnahme von irgendwelchen Instandsetzungsverfahren, die der Kunde nach Maßgabe des technischen Kundendienstes und durch schriftliche Instruktionen sowie der Zurverfügungstellung des/der eventuell erforderlichen Ersatzteil(s)e selbst in der Lage ist durchzuführen – zum Beispiel aufgrund der Einfachheit und einer nicht erforderlichen Geheimhaltung des Instandsetzungsverfahrens).

Aufgrund seiner Innovationszyklen und um sein Know-how und seine Geschäftsgeheimnisse zu schützen, bietet Guillemot grundsätzlich keine Instandsetzungs-Benachrichtigung oder Ersatzteile für alle Thrustmaster Produkte an, deren Garantiezeit abgelaufen ist.

Haftung

Wenn nach dem anwendbaren Recht zulässig, lehnen Guillemot Corporation S.A. (fortfolgend "Guillemot") und ihre Tochtergesellschaften jegliche Haftung für Schäden, die auf eine oder mehrere der folgenden Ursachen zurückzuführen sind, ab: (1) das Produkt wurde modifiziert, geöffnet oder geändert; (2) Nichtbefolgung der Montageanleitung; (3) unangebrachte Nutzung, Fahrlässigkeit, Unfall (z. B. ein Aufprall); (4) normalem Verschleiß; (5) Die Verwendung des Produkts für jedwede andere Nutzung als zum privaten Hausgebrauch, einschließlich professionelle oder kommerzielle Zwecke (z. B. Spielhallen, Training, Wettkämpfe). Wenn nach anwendbarem Recht zulässig, lehnen Guillemot und seine Niederlassungen jegliche Haftung für Schäden, die nicht auf einen Material- oder Herstellungsfehler in Bezug auf das Produkt beruhen (einschließlich, aber nicht beschränkt auf, etwaige Schäden, die direkt oder indirekt durch Software oder durch die Kombination der Thrustmaster Produkte mit ungeeigneten Elementen, insbesondere Netzteile, Akkus, Ladegeräte, oder andere Elemente, die von Guillemot für dieses Produkt nicht geliefert wurden), ab.



COPYRIGHT

© Guillemot Corporation S.A. 2020. Alle Rechte vorbehalten. Thrustmaster® ist ein eingetragenes Warenzeichen der Guillemot Corporation S.A.

AIRBUS, das Logo sowie die Markenzeichen für Produkte und Dienstleistungen sind eingetragene Marken von Airbus. Alle Rechte vorbehalten.

© Airbus 2020. Alle Rechte vorbehalten. Offiziell lizenziert von Airbus.

Alle anderen Handelsmarken sind im Besitz Ihrer jeweiligen Eigentümer. Illustrationen nicht verbindlich. Inhalte, Design und Spezifikationen können ohne vorherige Ankündigung geändert werden und können von Land zu Land unterschiedlich sein. Hergestellt in China.

Hinweise zum Umweltschutz



In der Europäischen Union: Dieses Produkt darf nach Ende seiner Lebensdauer nicht über den Hausmüll entsorgt werden, sondern muss an einem Sammelpunkt für das Recycling von elektrischen und elektronischen Geräten abgegeben werden.

Das Symbol auf dem Produkt, der Gebrauchsanleitung oder der Verpackung weist darauf hin.

Die Werkstoffe sind gemäß ihrer Kennzeichnung wiederverwertbar. Mit der Wiederverwertung, der stofflichen Verwertung oder anderen Formen von Altgeräten leisten Sie einen wichtigen Beitrag zum Schutz unserer Umwelt. Bitte erfragen Sie bei der Gemeindeverwaltung die zuständige Entsorgungsstelle.

Für alle anderen Länder: Bitte beachten Sie die lokalen Entsorgungsrichtlinien/-Gesetze bezüglich elektrischen und elektronischen Equipments.

Wichtige Informationen. Die Farben und Verzierungen können abweichen. Plastikhalterungen und Aufkleber bitte vor der Nutzung des Produktes entfernen.

www.thrustmaster.com

Nur in der EU und der Türkei anwendbar

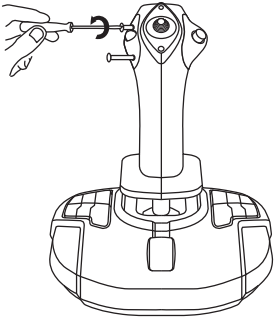


TCA SIDESTICK AIRBUS EDITION

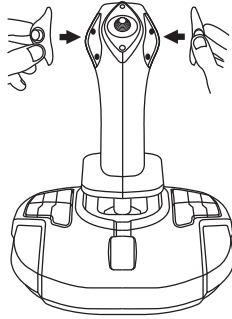


5

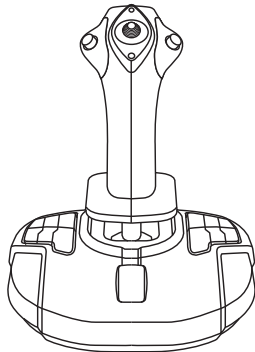
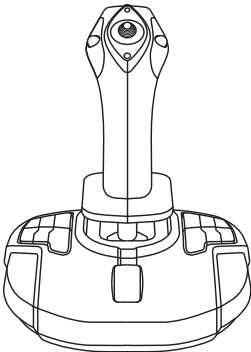
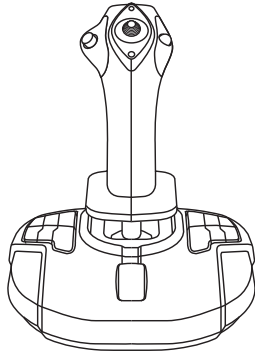
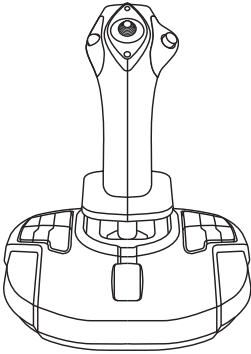
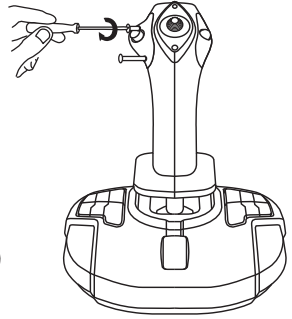
A



B



C



TCA SIDESTICK AIRBUS EDITION

Compatibel met: PC
Handleiding

TECHNISCHE KENMERKEN ①

1. Digitale trigger
2. Multidirectionele Point of View-hat-switch
3. Rechterknopmodule
4. Linkerknopmodule
5. Roerbediening via draaihendel met handsteun + vergrendelsysteem
6. Throttle (met 1 virtuele knop)
7. 15 actieknoppen
8. USB-connector (voor pc)
9. Schakelaar voor rechtshandig of linkshandig gebruik van de knoppen

DE DIVERSE FUNCTIES VAN DE JOYSTICK

EXCLUSIEVE PRECISIETECHNOLOGIE:

H.E.A.R.T: HallEffect AccuRate Technology

De TCA Sidestick Airbus Edition-joystick is uitgerust met technologie die garant staat voor ongeëvenaarde nauwkeurigheid:

- Magnetische 3D-sensoren (Hall-effect) op de stick, met een resolutie van meer dan 268 miljoen waarden voor de X- en Y-as (16.384 x 16.384 waarden), terwijl de huidige concurrerende systemen (zelfs de meest geavanceerde) een resolutie bieden van slechts 1 miljoen waarden (1.024 x 1.024 waarden).
- Een magneet: geen wrijving, voor blijvende grenzeloze nauwkeurigheid en ongelooflijk snelle reacties.
- Een spiraalveer op de stick (2,8 mm): voor stevige, lineaire en vloeiende weerstand.

THROTTLE

De joystick heeft een throttle (6) die uitermate geschikt is om de stuwkracht van de vliegtuigmotor te bedienen.

Op de eerste 20 procent van de throttlebeweging wordt een virtuele knop (nummer 17, diagram 3) geactiveerd waarmee bijvoorbeeld de stuwkrachtomkeerders kunnen worden bediend.

ROERFUNCTIE

De joystick heeft een roerfunctie (5) die correspondeert met het roer in een vliegtuig waarmee de piloot het toestel om de verticale as laat kantelen om een bocht naar links of rechts te maken. Deze roerfunctie is beschikbaar op de joystick door de stick naar links of rechts te draaien.

DE ROERFUNCTIE VERGRENDELEN/ONTGRENDELEN 2

De roerfunctie kan worden uitgeschakeld met de vergrendelknop achterop de joystickgreep. Druk deze knop omlaag om de roeras te vergrendelen. Druk deze knop weer omhoog (de standaardstand) om de roeras te ontgrendelen.

MULTIDIRECTIONELE POINT OF VIEW-HAT-SWITCH

De joystick heeft een Point of View-hat-switch (2) waarmee u in één keer een overzicht krijgt van alles wat zich rondom het vliegtuig afspeelt (als deze functie is ingeschakeld in de game). Als u deze functie wilt gebruiken, hoeft u alleen maar in het setup-menu van de game de verschillende weergaves (links, rechts, naar voren, naar achteren) op de richtingen van de Point of View-hat-switch te programmeren.

De Point of View-hat-switch kan desgewenst ook voor andere functies worden gebruikt, bijvoorbeeld om te schieten.

SYSTEEM VOOR LINKS- EN RECHTSHANDIG GEBRUIK

De TCA Sidestick Airbus Edition-joystick is instelbaar voor volledig links- of rechtshandig gebruik.

Hiervoor zijn drie onderdelen af te stellen: de configuratie van de knoppen op de voet, de rechterknopmodule en de linkerknopmodule.

CONFIGURATIE VAN DE KNOPPEN VOOR RECHTSHANDIG GEBRUIK 3

Als u de standen van de 12 knoppen op de voet wilt omzetten voor RECHTSHANDIG gebruik (copiloot, eerste officier), stelt u de schakelaar (9) onder de voet van de joystick in op **RIGHT HANDED** voordat u de joystick aansluit. Uw product wordt dan herkend als een T.A320 Copilot.

CONFIGURATIE VAN DE KNOPPEN VOOR LINKSHANDIG GEBRUIK 4

Als u de standen van de 12 knoppen op de voet wilt omzetten voor LINKSHANDIG gebruik (piloot, gezagvoerder), stelt u de schakelaar (9) onder de voet van de joystick in op **LEFT HANDED** voordat u de joystick aansluit. Uw product wordt dan herkend als een T.A320 Pilot.

DE MODULES WIJZIGEN 5

Standaard staat de joystick in piloot-modus

Als u de configuratie naar één van de andere drie modi wilt omzetten:

- A. Schroef met een kleine schroevendraaier voorzichtig de twee schroeven los in de knopmodule op de linkerkant van de kop van de joystick.
- B. Wijzig de modules in de door u gewenste configuratie.
- C. Zet de schroeven weer terug en draai ze goed vast.

PC

INSTALLATIE OP DE PC

1. Sluit de USB-connector **(8)** aan op een van de USB-poorten van de computer.
Windows 8 of 10 herkent het nieuwe apparaat automatisch.
2. De drivers worden automatisch geïnstalleerd.
Volg de aanwijzingen op het scherm om de installatie te voltooien.
3. Klik op **Start | Instellingen | Configuratiescherm** en dubbelklik op **Spelbesturingen**.
*In het dialoogvenster **Spelbesturingen** dat nu wordt geopend, ziet u de naam van de joystick met als status **OK**.*
4. Klik op **Eigenschappen** in het **Configuratiescherm** om de joystick te testen en te configureren.

Nu kan er gespeeld worden!

BELANGRIJKE OPMERKING

Plaats bij het aansluiten van de joystick de stick en het roer altijd in de middenstand en beweeg de stick en het roer niet (om kalibratieproblemen te voorkomen).

PROBLEMEN OPLOSSEN EN WAARSCHUWINGEN

- **Mijn joystick werkt niet goed of lijkt niet goed gekalibreerd te zijn:**
 - Zet de computer uit en koppel de joystick los. Zet vervolgens de computer weer aan en sluit de joystick opnieuw aan. Start de game opnieuw.
 - Plaats bij het aansluiten van de joystick de stick en het roer altijd in de middenstand en beweeg de stick en het roer niet (om kalibratieproblemen te voorkomen).
- **Ik kan mijn joystick niet configureren:**
 - Selecteer de meest geschikte configuratie in het menu **Options | Controller | Gamepad** of **Joystick** van de game, of maak een compleet nieuwe configuratie van de opties van de controller.
 - Raadpleeg de handleiding of de online help van de game voor meer informatie.
- **Mijn joystick reageert te gevoelig of reageert niet gevoelig genoeg:**
 - De joystick wordt automatisch gekalibreerd wanneer u deze een paar maal in de richting van de verschillende assen hebt bewogen.
 - Pas in het menu **Options | Controller | Gamepad** of **Joystick** van de game de gevoeligheid en dode zones aan voor de controller (als deze opties beschikbaar zijn).



Dit product is alleen bedoeld voor recreatief gamen. Gebruik bij professionele trainingsactiviteiten is strikt verboden.

Informatie met betrekking tot kopersgarantie

Wereldwijd garandeert Guillemot Corporation S.A., het statutair adres gevestigd aan de Place du Granier, B.P. 97143, 35571 Chantepie, Frankrijk, (hierna te noemen "Guillemot") aan de koper dat dit Thrustmaster-product vrij zal zijn van materiaal- en fabricagefouten gedurende een garantieperiode gelijk aan de tijd maximaal vereist om een restitutie/vervanging voor dit product te claimen. In landen van de Europese Unie komt dit overeen met een periode van twee (2) jaar vanaf het moment van levering van het Thrustmaster-product. In andere landen komt de garantieperiode overeen met de tijd maximaal vereist om een restitutie/vervanging voor dit Thrustmaster-product te claimen zoals wettelijk is vastgelegd in het land waarin de koper woonachtig was op de datum van aankoop van het Thrustmaster-product. Indien een dergelijk claimrecht niet wettelijk is vastgelegd in het betreffende land, geldt een garantieperiode van één (1) jaar vanaf datum aankoop van het Thrustmaster-product.

Indien u in de garantieperiode een defect meent te constateren aan dit product, neem dan onmiddellijk contact op met Technical Support die u zal informeren over de te volgen procedure. Als het defect wordt bevestigd, dient het product te worden geretourneerd naar de plaats van aankoop (of een andere locatie die wordt opgegeven door Technical Support). Binnen het gestelde van deze garantie wordt het defecte product van de koper gerepareerd of vervangen, zulks ter beoordeling van Technical Support. Indien het Thrustmaster-product tijdens de garantieperiode is onderworpen aan een dergelijk herstel, wordt elke periode van ten minste zeven (7) dagen waarin het product niet in gebruik is, opgeteld bij de resterende garantieperiode (deze periode loopt vanaf de datum van verzoek van de consument voor interventie of vanaf de datum waarop het product in kwestie beschikbaar is gesteld voor herstel als de datum waarop het product ter beschikking wordt gesteld voor herstel later is dan de datum van het verzoek om interventie). Indien toegestaan door van toepassing zijnde wetgeving, beperkt de volledige aansprakelijkheid van Guillemot en haar dochterondernemingen (inclusief de aansprakelijkheid voor vervolgschade) zich tot het repareren of vervangen van het Thrustmaster-product. Indien toegestaan door van toepassing zijnde wetgeving, wijst Guillemot elke garantie af met betrekking tot verhandelbaarheid of geschiktheid voor enig doel.

Deze garantie is niet van kracht: (1) indien het product aangepast, geopend of gewijzigd is, of beschadigd is ten gevolge van oneigenlijk of onvoorzichtig gebruik, verwaarlozing, een ongeluk, normale slijtage, of enige andere oorzaak die niet gerelateerd is aan een materiaal- of fabricagefout (inclusief maar niet beperkt tot het combineren van het Thrustmaster-product met enig ongeschikt element waaronder in het bijzonder voedingsadapters, oplaadbare batterijen, opladers of enig ander element niet geleverd door Guillemot voor dit product); (2) als het product is gebruikt voor enig ander doel dan thuisgebruik, zoals maar niet exclusief een professioneel of commercieel doel (bijvoorbeeld game rooms, training, wedstrijden); (3) indien u zich niet houdt aan de instructies zoals verstrekt door Technical Support; (4) op software die onder een specifieke garantie valt; (5) op verbruiksartikelen (elementen die tijdens de levensduur van het product worden vervangen zoals bijvoorbeeld batterijen of pads van een headset of koptelefoon); (6) op accessoires (zoals bijvoorbeeld kabels, behuizingen, hoesjes, etui's, draagtassen of polsbandjes); (7) indien het product werd verkocht op een openbare veiling.

Deze garantie is niet overdraagbaar.

De wettelijke rechten van de koper die in zijn/haar land van toepassing zijn op de verkoop van consumentproducten worden op generlei wijze door deze garantie beperkt.

Aanvullende garantiebepalingen

Gedurende de garantieperiode zal Guillemot in principe nooit reserveonderdelen leveren omdat Technical Support de enige partij is die bevoegd is een Thrustmaster-product te openen en/of te herstellen (met uitzondering van een herstelprocedure die de klant door Technical Support gevraagd wordt uit te voeren met behulp van schriftelijke instructies – omdat deze procedure bijvoorbeeld eenvoudig is en het herstelproces niet vertrouwelijk is – en door het verstrekken aan de consument van de benodigde onderdelen, indien van toepassing).

Gezien de innovatiecycli en om haar knowhow en handelsgeheimen te beschermen, zal Guillemot in principe nooit een herstelbeschrijving of reserveonderdelen verstrekken voor een Thrustmaster-product waarvan de garantieperiode is verstreken.

Aansprakelijkheid

Indien toegestaan door van toepassing zijnde wetgeving, wijzen Guillemot Corporation S.A. (hierna te noemen "Guillemot") en haar dochterondernemingen alle aansprakelijkheid af voor enige schade veroorzaakt door één van de volgende oorzaken: (1) indien het product aangepast, geopend of gewijzigd is; (2) de montage-instructies niet zijn opgevolgd; (3) oneigenlijk of onvoorzichtig gebruik, verwaarlozing, een ongeluk (bijvoorbeeld stoten); (4) normale slijtage; (5) het gebruik van het product voor enig ander doel dan thuisgebruik, zoals maar niet exclusief een professioneel of commercieel doel (bijvoorbeeld game rooms, training, wedstrijden). Indien toegestaan onder van toepassing zijnde wetgeving, wijzen Guillemot en haar dochterondernemingen alle aansprakelijkheid af voor enige schade aan dit product niet gerelateerd aan een materiaal- of fabricagefout (inclusief maar niet beperkt tot enige schade direct of indirect veroorzaakt door enige software, of door het combineren van het Thrustmaster-product met enig ongeschikt element waaronder in het bijzonder voedingsadapters, oplaadbare batterijen, opladers of enig ander element niet geleverd door Guillemot voor dit product).



COPYRIGHT

© 2020 Guillemot Corporation S.A. Alle rechten voorbehouden. Thrustmaster® is een geregistreerd handelsmerk van Guillemot Corporation S.A.

AIRBUS, haar logo en product- en servicemarkeringen zijn geregistreerde handelsmerken van Airbus. Alle rechten voorbehouden.

© Airbus 2020. Alle rechten voorbehouden. Met officiële licentie van Airbus.

Alle andere handelsmerken zijn eigendom van de respectieve eigenaren. Afbeeldingen zijn niet bindend. Inhoud, ontwerp en specificaties kunnen zonder kennisgeving vooraf worden gewijzigd en kunnen per land verschillen. Geproduceerd in China.

AANBEVELINGEN VOOR DE BESCHERMING VAN HET MILIEU



* In de Europese Unie: Gooi dit product na het einde van de levensduur niet weg met het normale afval, maar breng het naar het door uw gemeente aangewezen inzamelpunt voor elektrische en/of computerapparatuur.

Ter herinnering is hiertoe op het product, de gebruikshandleiding of de verpakking een symbool aangebracht.

De meeste materialen kunnen worden gerecycled. Door recycling en andere methoden voor verantwoorde verwerking van afgedankte elektrische en elektronische apparaten kunt u een belangrijke bijdrage leveren aan de bescherming van het milieu.

Neem contact op met uw gemeente voor informatie over een inzamelpunt bij u in de buurt.

In alle andere landen: houd u aan de plaatselijk milieuwetgeving voor elektrische en elektronische apparaten.

Bewaar deze informatie. De kleuren en decoraties kunnen variëren.

Plastic bevestigingen en hechtmaterialen moeten van het product worden verwijderd voordat het wordt gebruikt.

www.thrustmaster.com

**Alleen van toepassing in de EU en Turkije*

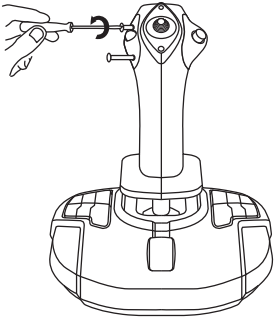


TCA SIDESTICK AIRBUS EDITION

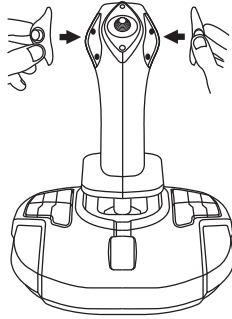


5

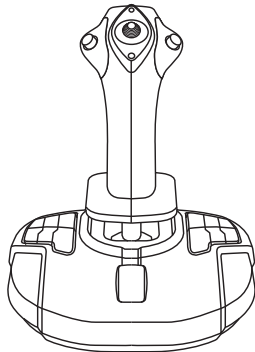
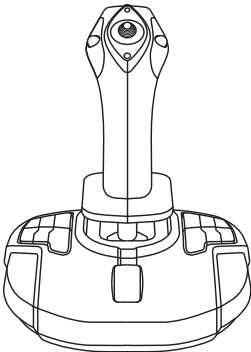
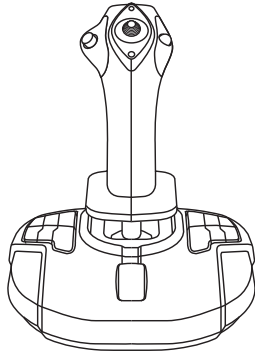
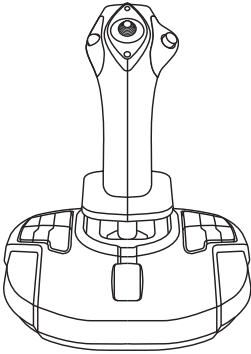
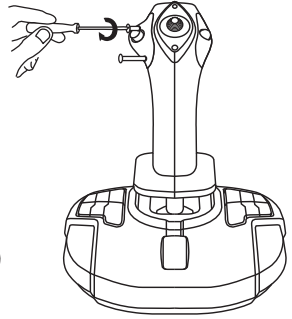
A



B



C



TCA SIDESTICK AIRBUS EDITION

Compatibilità: PC
Manuale d'uso

CARATTERISTICHE TECNICHE ①

1. Grilletto digitale
2. Pomello "Angolo di visuale" multidirezionale
3. Modulo pulsante destro
4. Modulo pulsante sinistro
5. Controllo del timone tramite rotazione della leva, con zona di riposo per la mano + sistema di bloccaggio
6. Manetta (con pulsante virtuale)
7. 15 pulsanti azione
8. Connettore USB per PC
9. Selettore pulsanti per destrimani o mancini

CONOSCERE IL TUO JOYSTICK

ESCLUSIVA TECNOLOGIA DI PRECISIONE:

H.E.A.R.T: Halleffect AccuRate Technology

Il tuo joystick TCA Sidestick Airbus Edition integra una tecnologia che garantisce un livello di precisione attualmente senza eguali nel mondo dei joystick per videogiochi, comprendente:

- Sensori magnetici 3D (Effetto Hall) inseriti nella leva, con una risoluzione pari a oltre 268 milioni di valori lungo gli assi X e Y (16384 x 16384 valori), laddove i sistemi concorrenti (persino i sistemi di alto livello) garantiscono risoluzioni pari solamente a circa 1 milione di valori (1024 x 1024 valori).
- Un magnete: nessun attrito, per una precisione senza limiti e una fantastica reattività che rimarrà costante nel tempo.
- Una molla elicoidale inserita nella leva (2,8 mm): per una tensione decisa, lineare e fluidissima.

MANETTA

Il tuo joystick dispone di una manetta (6), tramite la quale potrai facilmente controllare la spinta del motore del tuo aereo.

Nel 20% iniziale della corsa totale della manetta è attivo un pulsante virtuale (numero 17, diagramma 3) utile, ad esempio, per azionare gli inversori di spinta.

FUNZIONE TIMONE

Il tuo joystick dispone di una funzione timone (5): in un aeroplano, il pilota agisce sul timone per far ruotare l'aereo lungo il suo asse verticale (facendo sì che l'aereo viri a destra o a sinistra).

Sul tuo joystick, questa funzione è disponibile ruotando (ovvero torcendo) la leva verso destra o verso sinistra.

BLOCCARE/SBLOCCARE LA FUNZIONE TIMONE 2

La funzione timone può essere disattivata agendo sul pulsante di blocco, presente sul retro dell'impugnatura del joystick.

Premi questo pulsante per bloccare l'asse del timone.

Riporta il pulsante nella posizione più in alto (predefinita) per sbloccare l'asse del timone.

POMELLO "ANGOLO DI VISUALE" MULTIDIREZIONALE

Il tuo joystick dispone di un pomello "Angolo di visuale" (2) che, come suggerisce il nome stesso, ti permette di vedere istantaneamente tutto ciò che sta accadendo attorno al tuo aereo (nei giochi in cui è attiva tale funzione). Per utilizzare questa funzione, non devi far altro che accedere al menu di configurazione del tuo gioco e associare le varie visuali (visuale posteriore, sinistra, destra e visuali esterne) alle direzioni del pomello "Angolo di visuale" multidirezionale.

Inoltre, se lo desideri, potrai associare il pomello "Angolo di visuale" ad altre funzioni differenti (fuoco, ecc.).

SISTEMA AMBIDESTRO

Il tuo joystick TCA Sidestick Airbus Edition ha il vantaggio di essere totalmente ambidestro, il che lo rende perfettamente adatto a tutti i giocatori, sia destrimani che mancini.

Per far questo, sono tre gli elementi regolabili: la configurazione dei pulsanti della base, il modulo pulsante destro e il modulo pulsante sinistro.

CONFIGURAZIONE DEI PULSANTI IN MODALITÀ DESTRIMANE 3

Per regolare il posizionamento dei 12 pulsanti della base in modalità DESTRIMANE (o copilota/primo ufficiale), prima di collegare il joystick, sposta il selettore (9), presente sotto la base del joystick, in posizione **RIGHT HANDED**. Il tuo prodotto verrà quindi riconosciuto come un T.A320 Copilot.

CONFIGURAZIONE DEI PULSANTI IN MODALITÀ MANCINA 4

Per regolare il posizionamento dei 12 pulsanti della base in modalità MANCINA (o pilota), prima di collegare il joystick, sposta il selettore (9), presente sotto la base del joystick, in posizione **LEFT HANDED**. Il tuo prodotto verrà quindi riconosciuto come un T.A320 Pilot.

CAMBIARE I MODULI 5

Per default, il joystick è configurato in modalità pilota.

Per scegliere una differente configurazione tra le quattro opzioni disponibili:

- A. Utilizzando un piccolo cacciavite, allenta delicatamente le due viti del modulo pulsante presente nella parte sinistra della testa del joystick.
- B. Sostituisci i moduli in base alla tua configurazione preferita.
- C. Reinserisci le viti e stringile nuovamente fino in fondo.

PC

INSTALLAZIONE SU PC

1. Collega il connettore USB **(8)** a una porta USB del tuo computer.
Windows 8 o 10 rileverà automaticamente la nuova periferica.
 2. I driver verranno installati automaticamente.
Completa l'installazione seguendo le istruzioni che appariranno sullo schermo.
 3. Clicca su **Start/Impostazioni/Pannello di controllo** e fai doppio clic su **Periferiche di gioco**.
*Nella finestra di dialogo **Periferiche di gioco** apparirà il nome del joystick con stato **OK**.*
 4. Nel **Pannello di controllo**, clicca su **Proprietà** per visualizzare e testare tutte le funzioni del tuo joystick.
- Ora sei pronto/a per giocare!**

AVVISO IMPORTANTE

Quando colleghi il tuo joystick, ricordati sempre di lasciare la leva e il timone nelle rispettive posizioni centrali, senza muoverli (per evitare eventuali problemi di calibrazione).

AVVERTENZE E RISOLUZIONE DEI PROBLEMI

- **Il mio joystick non funziona correttamente o sembra non essere calibrato correttamente:**
 - Spegni il tuo computer e scollega il tuo joystick; dopodiché, riaccendi il tuo computer, ricollega il tuo joystick e riavvia il tuo gioco.
 - Quando colleghi il tuo joystick: ricordati sempre di lasciare la leva e il timone nelle rispettive posizioni centrali, senza muoverli (per evitare eventuali problemi di calibrazione).
- **Non riesco a configurare il mio joystick:**
 - Nel menu **Opzioni / Controller / Gamepad o Joystick** del tuo gioco: seleziona la configurazione corretta o riconfigura totalmente le opzioni del controller.
 - Per ulteriori informazioni, consulta il manuale d'uso o la funzione di aiuto online del tuo gioco.
- **Il mio joystick è troppo (o troppo poco) sensibile:**
 - Il tuo joystick si calibra automaticamente non appena vengono eseguiti dei movimenti lungo i vari assi.
 - Nel menu **Opzioni / Controller / Gamepad o Joystick** del tuo gioco: regola la sensibilità e le zone morte del tuo joystick (qualora tali opzioni fossero disponibili).



Questa periferica è destinata esclusivamente a un uso di carattere ludico. È assolutamente proibito il suo utilizzo in qualsiasi attività di formazione professionale.

Informazioni sulla garanzia al consumatore

A livello mondiale, Guillemot Corporation S.A., avente sede legale in Place du Granier, B.P. 97143, 35571 Chantepie, Francia (d'ora in avanti "Guillemot") garantisce al consumatore che il presente prodotto Thrustmaster sarà privo di difetti relativi ai materiali e alla fabbricazione, per un periodo di garanzia corrispondente al limite temporale stabilito per la presentazione di un reclamo riguardante la conformità del prodotto in questione. Nei paesi della Comunità Europea, tale periodo equivale a due (2) anni a partire dalla consegna del prodotto Thrustmaster. In altri paesi, la durata della garanzia corrisponde al limite temporale stabilito per la presentazione di un reclamo riguardante la conformità del prodotto Thrustmaster in base alle leggi applicabili nel paese in cui il consumatore risiedeva alla data di acquisto del prodotto Thrustmaster (qualora nel paese in questione non esistesse alcuna norma a riguardo, il periodo di garanzia corrisponderà a un (1) anno a partire dalla data originale di acquisto del prodotto Thrustmaster).

Qualora, durante il periodo di garanzia, il prodotto dovesse apparire difettoso, contatti immediatamente l'Assistenza Tecnica, che le indicherà la procedura da seguire. Qualora il difetto dovesse essere confermato, il prodotto dovrà essere riportato al luogo di acquisto (o qualsiasi altro luogo indicato dall'Assistenza Tecnica).

Nel contesto della presente garanzia, il prodotto difettoso di proprietà del consumatore potrà essere sostituito o reso nuovamente funzionante, a discrezione dell'Assistenza Tecnica. Se, durante il periodo coperto dalla garanzia, il prodotto Thrustmaster fosse oggetto di tale rimessa in operatività, alla rimanente durata della garanzia dovrà essere aggiunto un periodo di almeno sette (7) giorni, durante il quale il prodotto risulta non utilizzabile (tale periodo intercorre dalla data della richiesta di intervento da parte del consumatore o dalla data in cui il prodotto in questione è reso disponibile per la rimessa in operatività, questo nel caso in cui tale data sia successiva alla data di richiesta di intervento). Qualora le leggi applicabili in materia lo consentano, la totale responsabilità di Guillemot e delle sue controllate (compresi i danni conseguenti) si limita alla rimessa in operatività o alla sostituzione del prodotto Thrustmaster. Qualora le leggi applicabili in materia lo consentano, Guillemot declina ogni garanzia sulla commerciabilità o la conformità a finalità particolari.

La presente garanzia non potrà essere applicata: (1) se il prodotto è stato modificato, aperto, alterato o ha subito danni derivanti da un uso inappropriato o non autorizzato, da negligenza, da un incidente, dalla semplice usura, o da qualsiasi altra causa non riconducibile a difetti nei materiali o nell'assemblaggio (compresi, ma non i soli, prodotti Thrustmaster combinati con elementi inadatti, tra cui, in particolare, batterie ricaricabili, caricatori o qualsiasi altro elemento non fornito da Guillemot per questo prodotto); (2) nel caso in cui il prodotto sia stato utilizzato per qualsiasi altro scopo al di fuori dell'uso domestico, comprese finalità professionali o commerciali (esempio: sale giochi, allenamenti, concorsi); (3) in caso di mancato rispetto delle istruzioni fornite dall'Assistenza Tecnica; (4) in caso di software, ovvero software soggetto a una specifica garanzia; (5) ai materiali di consumo (elementi che richiedono la loro sostituzione al termine della loro durata di esercizio come, ad esempio, batterie di tipo convenzionale o cuscinetti protettivi per auricolari o cuffie); (6) agli accessori (ad esempio, cavi, custodie, borsette, borse, cinturini); (7) se il prodotto è stato venduto ad un'asta pubblica.

La presente garanzia non è trasferibile.

I diritti legali del consumatore, stabiliti dalle leggi vigenti in materia di vendita di beni di consumo nel relativo paese, non vengono intaccati dalla presente garanzia.

Disposizioni addizionali sulla garanzia

Per tutta la durata della garanzia, in linea di principio, Guillemot non fornirà alcuna parte di ricambio, in quanto la sola Assistenza Tecnica è la parte autorizzata ad aprire e/o rimettere in funzionamento tutti i prodotti Thrustmaster (fatta eccezione per eventuali procedure di rimessa in operatività che l'Assistenza Tecnica potrebbe richiedere al consumatore, attraverso istruzioni scritte – viste, ad esempio, la semplicità e la mancanza di riservatezza della procedura di rimessa in operatività – e fornendo al consumatore le necessarie parti di ricambio, se ve ne fosse l'esigenza).

Considerando i propri cicli di innovazione e per proteggere il proprio know-how e i propri segreti commerciali, in linea di principio, Guillemot non fornirà alcuna notifica o parte di ricambio finalizzata alla rimessa in attività di un qualunque prodotto Thrustmaster il cui periodo di garanzia risultasse scaduto.

Responsabilità

Qualora le leggi applicabili in materia lo consentano, Guillemot Corporation S.A. (d'ora in avanti "Guillemot") e le sue controllate declinano ogni responsabilità per qualsiasi danno derivante da almeno una delle seguenti condizioni: (1) il prodotto è stato modificato, aperto o alterato; (2) mancato rispetto delle istruzioni di installazione; (3) uso inappropriato o non permesso, negligenza, incidente (come, ad esempio, un impatto); (4) semplice usura; (5) utilizzo del prodotto per qualsiasi altro scopo al di fuori dell'uso domestico, comprese finalità professionali o commerciali (esempio: sale giochi, allenamenti, concorsi). Qualora le leggi applicabili in materia lo consentano, Guillemot e le sue controllate declinano ogni responsabilità per qualsiasi danno non riconducibile a difetti nei materiali o nella fabbricazione del prodotto (compresi, ma non i soli, potenziali danni causati direttamente o indirettamente da un qualunque software, oppure dall'uso del prodotto Thrustmaster in combinazione con elementi inadatti, tra cui, in particolare, batterie ricaricabili, caricatori o qualsiasi altro elemento non fornito da Guillemot per questo prodotto).



COPYRIGHT

© 2020 Guillemot Corporation S.A. Tutti i diritti riservati. Thrustmaster® è un marchio registrato di proprietà di Guillemot Corporation S.A.

AIRBUS, il relativo logo e i marchi di suoi prodotti e servizi, sono marchi registrati di proprietà di Airbus. Tutti i diritti riservati.

© Airbus 2020. Tutti i diritti riservati. Accompagnato da licenza ufficiale Airbus.

Tutti gli altri marchi appartengono ai legittimi proprietari. Illustrazioni escluse. I contenuti, i design e le caratteristiche possono essere oggetto di modifiche senza preavviso e possono variare da un Paese all'altro. Fabbricato in Cina.

RACCOMANDAZIONI SULLA TUTELA DELL'AMBIENTE



* Nell'Unione Europea: Al termine della sua vita operativa, questo prodotto non dovrebbe essere gettato assieme ai comuni rifiuti, ma dovrebbe essere portato ad un apposito punto di raccolta destinato al riciclaggio del Materiale Elettrico ed Elettronico.

Ciò è confermato dal simbolo riportato sul prodotto, nel manuale d'uso o sulla confezione.

■ A seconda delle proprie caratteristiche, i materiali potrebbero essere riciclati. Tramite il riciclaggio ed altre forme di trattamento del Materiale Elettrico ed Elettronico, è possibile fornire un importante contributo per la salvaguardia dell'ambiente.

Per conoscere i punti di raccolta più vicini a te, contatta le autorità locali competenti.

In tutti gli altri Paesi: per favore, rispetta le leggi locali sul riciclo dei materiali elettrici ed elettronici.

Informazioni da conservare. I colori e le decorazioni possono variare.

I ganci di plastica e gli adesivi dovrebbero essere rimossi dal prodotto prima che quest'ultimo venga utilizzato.

www.thrustmaster.com

**Valido solo in UE e Turchia*



TCA SIDESTICK AIRBUS EDITION

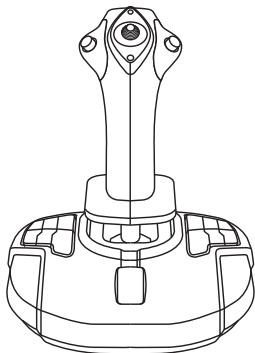
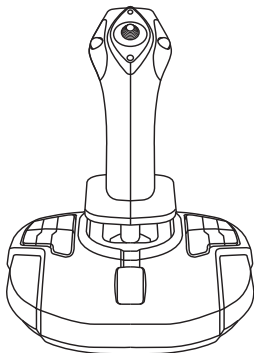
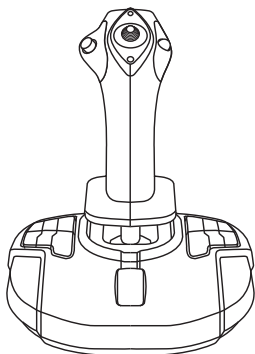
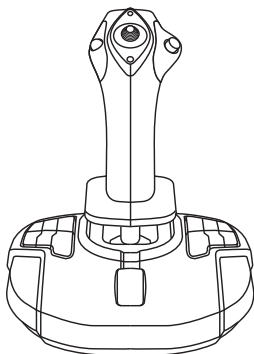
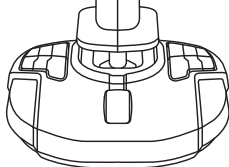
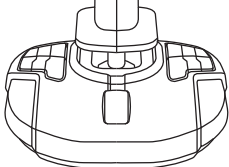
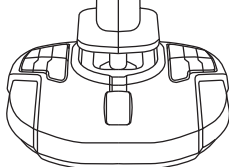
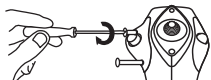
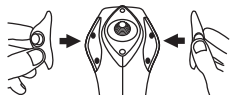
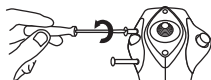


5

A

B

C



TCA SIDESTICK AIRBUS EDITION

Compatible: PC
Manual del usuario

CARACTERÍSTICAS TÉCNICAS **1**

1. Gatillo digital
2. Hat switch multidireccional "Punto de vista"
3. Módulo del botón derecho
4. Módulo del botón izquierdo
5. Control de timón mediante palanca giratoria con reposamanos + sistema de bloqueo
6. Mando de potencia (con 1 botón virtual)
7. 15 botones de acción
8. Conector USB para PC
9. Interruptor selector de botones para diestros o zurdos

INTRODUCCIÓN AL JOYSTICK

TECNOLOGÍA DE PRECISIÓN EXCLUSIVA: H.E.A.R.T: HallEffect AccuRate Technology

El joystick TCA Sidestick Airbus Edition incorpora una tecnología que le ofrece un nivel de precisión actualmente inigualada en el mundo de los joysticks de gaming, que incluye:

- Sensores magnéticos 3D (Efecto Hall) en la palanca, con una resolución de más de 268 millones de valores en los ejes X e Y (16.384 x 16.384 valores), mientras que los sistemas actuales de la competencia (incluso sistemas de alto nivel) ofrecen resoluciones próximas a sólo un millón de valores (1024 x 1024 valores).
- Un imán: sin fricción, para lograr una precisión ilimitada y una capacidad de respuesta increíble que perdura.
- Un muelle helicoidal en la palanca (2,8 mm): para lograr una tensión firme, lineal y muy homogénea.

MANDO DE POTENCIA

El joystick incorpora un mando de potencia **(6)**, que puedes utilizar para controlar fácilmente el empuje del motor del avión.

Un botón virtual (número 17, diagrama 3) se habilita en el primer 20% del recorrido del mando de potencia, para activar los inversores de potencia, por ejemplo.

FUNCIÓN DE TIMÓN

El joystick cuenta con una función de timón (5): en un avión, el piloto manipula el timón para pivotar el avión alrededor de su eje vertical (haciendo que el avión gire hacia la izquierda o hacia la derecha).

Esta función de timón está disponible en el joystick rotando (es decir, girando) la palanca a la izquierda o a la derecha.

BLOQUEO/DESBLOQUEO DE LA FUNCIÓN DE TIMÓN 2

La función de timón se puede desactivar mediante el botón de bloqueo de la parte trasera de la palanca del joystick.

Pulsa este botón para bloquear el eje del timón.

Devuelve este botón a la posición superior (es decir, la predeterminada) para desbloquear el eje del timón.

HAT SWITCH MULTIDIRECCIONAL "PUNTO DE VISTA"

El joystick incorpora un hat switch "Punto de vista" (2) que, como su nombre indica, te permite ver instantáneamente todo lo que pasa alrededor del avión (en los juegos que dispongan de esta función). Para utilizar esta función, no tienes más que dirigirte al menú de configuración del juego y programar las diferentes vistas (vista trasera, vista a la izquierda, vista a la derecha y también las vistas externas) en las direcciones del hat switch "Punto de vista".

Si lo deseas, también puedes reservar el hat switch "Punto de vista" para otros usos (disparar, etc.).

SISTEMA AMBIDEXTRO

El joystick TCA Sidestick Airbus Edition tiene la ventaja de ser totalmente ambidextro, lo que le permite adaptarse perfectamente a todos los jugadores, tanto si son diestros como zurdos.

Para ello, se pueden ajustar tres elementos: la configuración de los botones en la base, el módulo del botón derecho y el módulo del botón izquierdo.

CONFIGURACIÓN DE BOTONES EN MODO DIESTRO 3

Para definir las posiciones de los 12 botones situados en la base en modo DIESTRO (o copiloto/primer oficial), pon el interruptor selector (9) situado bajo la base del joystick en **RIGHT HANDED** antes de conectar el joystick. A continuación el producto se reconocerá como un T.A320 Copilot.

CONFIGURACIÓN DE BOTONES EN MODO ZURDO 4

Para definir las posiciones de los 12 botones situados en la base en modo ZURDO (o piloto), pon el interruptor selector (9) situado bajo la base del joystick en **LEFT HANDED** antes de conectar el joystick. A continuación el producto se reconocerá como un T.A320 Pilot.

CAMBIO DE LOS MÓDULOS 5

De forma predeterminada, el joystick está configurado en modo piloto.

Para cambiar la configuración entre las cuatro distintas opciones disponibles:

- A. Usando un destornillador pequeño, afloja con cuidado los dos tornillos del módulo de botón del lado izquierdo del cabezal del joystick.
- B. Cambia los módulos según tu configuración preferida.
- C. Vuelve a poner los tornillos y apriétalos por completo.

PC

INSTALACIÓN EN PC

1. Enchufa el conector USB (8) en uno de los puertos USB del ordenador.
Windows 8 o 10 detectarán automáticamente el nuevo dispositivo.
 2. Los controladores se instalan automáticamente.
Sigue las instrucciones en pantalla para terminar la instalación.
 3. Haz clic en **Inicio/Configuración/Panel de control** y haz doble clic en **Dispositivos de juego**.
*El cuadro de diálogo **Dispositivos de juego** muestra el nombre del joystick con el estado **OK**.*
 4. En el **Panel de control**, haz clic en **Propiedades** para probar y ver todas las funciones del joystick.
- ¡Ya estás preparado para jugar!**

NOTA IMPORTANTE

Al conectar el joystick, coloca siempre la palanca y el timón en sus posiciones centrales, y procura no moverlos (para evitar problemas de calibración).

RESOLUCIÓN DE PROBLEMAS Y ADVERTENCIAS

- **El joystick no funciona correctamente o no parece estar bien calibrado:**
 - Apaga el ordenador y desconecta el joystick; luego, vuelve a encender el ordenador, vuelve a conectar el joystick y reinicia el juego.
 - Al conectar el joystick: coloca siempre la palanca y el timón en sus posiciones centrales, y procura no moverlos (para evitar problemas de calibración).
- **No puedo configurar el joystick:**
 - En el menú **Opciones / Mando / Gamepad** o **Joystick** del juego: selecciona la configuración apropiada, o reconfigura completamente las opciones del mando.
 - Consulta el manual del usuario o la ayuda en línea del juego para obtener más información.
- **El joystick es demasiado sensible o no lo bastante sensible:**
 - El joystick se autocalibra de forma independiente una vez que has realizado algunos movimientos en los distintos ejes.
 - En el menú **Opciones / Mando / Gamepad** o **Joystick** del juego: ajusta la sensibilidad y las zonas muertas del joystick (si esas opciones están disponibles).



Este periférico está pensado únicamente para fines de entretenimiento con juegos. Está estrictamente prohibido usarlo para cualquier clase de actividades de formación profesional.

INFORMACIÓN DE GARANTÍA AL CONSUMIDOR

En todo el mundo, Guillemot Corporation S.A., cuyo domicilio legal se encuentra en Place du Granier, B.P. 97143, 35571 Chantepie, Francia (en lo sucesivo "Guillemot") garantiza al consumidor que este producto de Thrustmaster estará libre de defectos de materiales y mano de obra, durante un período de garantía que corresponde al límite de tiempo para interponer una acción legal referida a la conformidad en relación con este producto. En los países de la Unión Europea, esto corresponde a un período de dos (2) años a partir de la entrega del producto de Thrustmaster. En otros países, el período de garantía corresponde al límite de tiempo para interponer una acción legal referida a la conformidad en relación con este producto de Thrustmaster según las leyes aplicables del país en el que el consumidor estuviese domiciliado en la fecha de compra del producto de Thrustmaster (si no existiese una acción similar en el país correspondiente, entonces el período de garantía será de un (1) año a partir de la fecha de compra original del producto de Thrustmaster).

Si el producto resultase defectuoso durante el período de garantía, hay que ponerse en contacto inmediatamente con el Soporte Técnico, que indicará el procedimiento a seguir. Si se confirma el defecto, el producto debe devolverse a su lugar de compra (o a cualquier otra ubicación indicada por el Soporte Técnico).

Dentro del contexto de esta garantía, el producto defectuoso del consumidor será sustituido o restaurado su funcionamiento correcto. Si, durante el período de garantía, el producto de Thrustmaster fuese sometido a dicho reacondicionamiento, cualquier período de cómo mínimo siete (7) días durante el que el producto no se pueda usar se añadirá al período de garantía restante (este período va desde la fecha de petición de intervención del consumidor o desde la fecha en la que el producto se entrega para el reacondicionamiento, si la fecha en la que el producto se entrega para el reacondicionamiento fuese posterior a la fecha de la petición de intervención). Si la ley aplicable lo permite, toda la responsabilidad de Guillemot y sus filiales (incluso por daños resultantes) se limita a la restauración del funcionamiento correcto o la sustitución del producto de Thrustmaster. Si la ley aplicable lo permite, Guillemot renuncia a todas las garantías de comerciabilidad o adecuación para un propósito determinado.

Esta garantía no se aplicará: (1) si el producto ha sido modificado, abierto, alterado o ha sufrido daños como resultado de un uso inapropiado o abuso, negligencia, accidente, desgaste normal, o cualquier otra causa no relacionada con un defecto de materiales o fabricación (incluyendo, pero no de forma exclusiva, la combinación del producto de Thrustmaster con cualquier elemento no adecuado, incluyendo en particular fuentes de alimentación, baterías recargables, cargadores o cualquier otro elemento no suministrado por Guillemot para este producto); (2) si el producto se ha empleado para otro uso distinto del doméstico, incluyendo fines profesionales o comerciales (salones de juego, entrenamiento, competiciones, por ejemplo); (3) en caso de incumplimiento de las instrucciones proporcionadas por el Soporte Técnico; (4) a software, es decir software sujeto a una garantía específica; (5) a consumibles (elementos que se tienen que reemplazar a lo largo de la vida del producto: por ejemplo, baterías desechables o almohadillas para auriculares de audio); (6) a accesorios (por ejemplo, cables, cajas, bolsas, bolsos o muñequeras); (7) si el producto se ha vendido en una subasta pública.

Esta garantía no es transferible.

Los derechos legales del consumidor en relación con las leyes aplicables a la venta de productos de consumo de su país no se ven afectados por esta garantía.

Provisiones de garantía adicionales

Durante el período de garantía, Guillemot no proporcionará, en principio, ninguna pieza de repuesto, ya que el Soporte Técnico es el único autorizado para abrir y/o reacondicionar los productos de Thrustmaster (con la excepción de los procedimientos de reacondicionamiento que el Soporte técnico puede solicitar que lleve a cabo el consumidor, mediante instrucciones por escrito – por ejemplo, debido a la simplicidad y la falta de confidencialidad del proceso de reacondicionamiento – y suministrando al consumidor las piezas de repuesto necesarias, si hiciere falta).

Debido a sus ciclos de innovación y para proteger su know-how y secretos comerciales, Guillemot no proporcionará, en principio, ninguna pieza de repuesto ni instrucciones de reacondicionamiento para los productos de Thrustmaster cuyo período de garantía haya vencido.

En los Estados Unidos de América y en Canadá, esta garantía está limitada al mecanismo interno del producto y al alojamiento externo. En ningún caso, Guillemot ni sus filiales serán responsables ante terceros por daños resultantes o fortuitos resultado del incumplimiento de cualquier garantía expresa o implícita. En algunos estados o provincias no se permite la limitación de la duración de una garantía implícita ni la exclusión o limitación de responsabilidad por daños resultantes o fortuitos, por lo que las limitaciones o exclusiones anteriores pueden no ser aplicables. Esta garantía ofrece derechos legales específicos al consumidor, que también puede tener otros derechos que pueden variar de un estado a otro o de una provincia a otra.

Responsabilidad

Si la ley aplicable lo permite, Guillemot Corporation S.A. (en lo sucesivo "Guillemot") y sus filiales renuncian a toda responsabilidad por los daños causados por uno o más de los siguientes motivos: (1) el producto ha sido modificado, abierto o alterado; (2) incumplimiento de las instrucciones de montaje; (3) uso inapropiado o abuso, negligencia, accidente (un impacto, por ejemplo); (4) desgaste normal; (5) el producto se ha empleado para otro uso distinto del doméstico, incluyendo fines profesionales o comerciales (salones de juego, entrenamiento, competiciones, por ejemplo). Si la ley aplicable lo permite, Guillemot y sus filiales renuncian a toda responsabilidad por los daños no relacionados con defectos de materiales o fabricación en relación con el producto (incluyendo, pero no de forma exclusiva, los daños causados de forma directa o indirecta por cualquier software, o por combinar el producto de Thrustmaster con cualquier elemento no adecuado, incluyendo en particular fuentes de alimentación, baterías recargables, cargadores o cualquier otro elemento no suministrado por Guillemot para este producto).



DECLARACIÓN DE CONFORMIDAD

NOTICIA DE CONFORMIDAD EN USA: este dispositivo cumple con los límites para dispositivos de computación de Clase B de acuerdo con la Parte 15 de las reglas FCC.

COPYRIGHT

© 2020 Guillemot Corporation S.A. Todos los derechos reservados. Thrustmaster® es una marca registrada de Guillemot Corporation S.A.

AIRBUS, su logotipo y las marcas de producto y servicio son marcas comerciales registradas de Airbus. Todos los derechos reservados.

© Airbus 2020. Todos los derechos reservados. Con licencia oficial de Airbus.

Todas las demás marcas son propiedad de sus respectivos dueños. Ilustraciones no definitivas. El contenido, la concepción y las especificaciones son susceptibles de cambiar sin previo aviso y varían según el país. Fabricado en China.

RECOMENDACIÓN DE PROTECCIÓN AMBIENTAL



* En la Unión Europea: Al terminar su vida útil, este producto no debe tirarse en un contenedor de basuras estándar, sino que debe dejarse en un punto de recogida de desechos eléctricos y equipamiento electrónico para ser reciclado.

Esto viene confirmado por el símbolo que se encuentra en el producto, manual del usuario o embalaje.

Dependiendo de sus características, los materiales pueden reciclarse.

Mediante el reciclaje y otras formas de procesamiento de los desechos eléctricos y el equipamiento electrónico puedes contribuir de forma significativa a ayudar a proteger el medio ambiente.

Contacta con las autoridades locales para más información sobre el punto de recogida más cercano.

Para los demás países: cumpla las leyes locales sobre reciclaje de equipos eléctricos y electrónicos.

Esta información debe conservarse. Los colores y motivos decorativos pueden variar.

Los adhesivos y los cierres de plástico se deben quitar del producto antes de utilizarlo.

www.thrustmaster.com

**Aplicable únicamente a la UE y Turquía*



TCA SIDESTICK AIRBUS EDITION

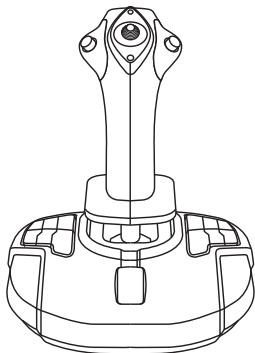
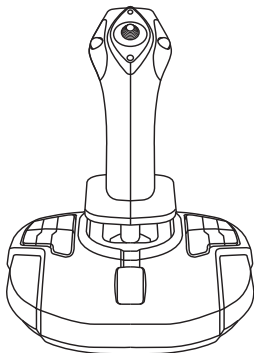
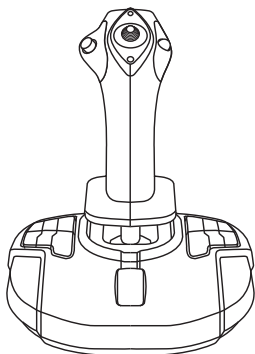
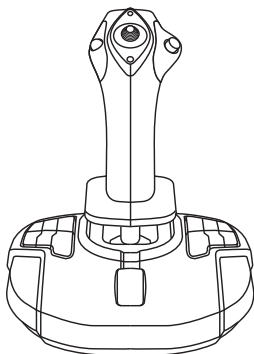
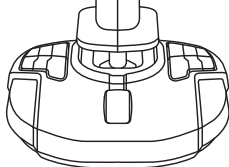
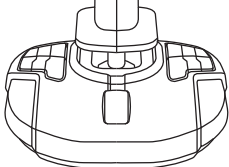
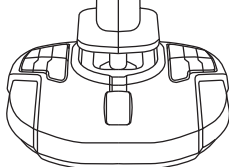
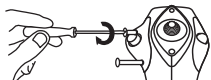
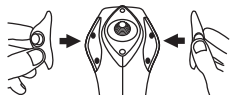
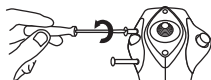


5

A

B

C



TCA SIDESTICK AIRBUS EDITION

Compatível: PC
Manual do Utilizador

CARACTERÍSTICAS TÉCNICAS ①

1. Gatilho digital
2. Hat switch de “ponto de vista” multidirecional
3. Módulo de botões direito
4. Módulo de botões esquerdo
5. Controlo do leme de direção através da rotação do manípulo, com descanso para a mão + sistema de bloqueio
6. Manete de potência (com 1 botão virtual)
7. 15 botões de ações
8. Conector USB para PC
9. Seletor de botões para a mão direita ou mão esquerda

APRESENTAÇÃO DO SEU JOYSTICK

TECNOLOGIA DE PRECISÃO EXCLUSIVA:
H.E.A.R.T: Halleffect AccuRate Technology

O seu joystick TCA Sidestick Airbus Edition possui tecnologia que lhe fornece um nível de precisão atualmente sem rival no mundo dos joysticks para jogos, incluindo:

- Sensores magnéticos 3D (efeito Hall) no manípulo, com uma resolução de mais de 268 milhões de valores nos eixos X e Y (16.384 x 16.384 valores), ao passo que os sistemas concorrentes (inclusive sistemas de topo de gama) fornecem resoluções a rondar apenas 1 milhão de valores (1.024 x 1.024 valores).
- Um ímã sem fricção, para uma precisão ilimitada e uma rapidez de resposta incrível que irá perdurar.
- Uma mola helicoidal no manípulo (2,8 mm), para uma tensão firme, linear e ultrafluida.

MANETE DE POTÊNCIA

O seu joystick inclui uma manete de potência (6), que pode utilizar para controlar facilmente o impulso do motor do seu avião.

Um botão virtual (número 17, diagrama 3) é ativado nos primeiros 20% do curso da manete de potência a fim de ativar os inversores de impulso, por exemplo.

FUNÇÃO DE LEME DE DIREÇÃO

O seu joystick inclui uma função de leme de direção (5): num avião, o piloto manobra o leme de direção para fazer girar o avião em torno do seu eixo vertical (fazendo o avião virar para a esquerda ou para a direita).

Esta função de leme de direção está disponível no joystick rodando (ou seja, torcendo) o manípulo para a esquerda ou para a direita.

BLOQUEAR/DESBLOQUEAR A FUNÇÃO DE LEME DE DIREÇÃO 2

A função de leme de direção pode ser desativada utilizando o botão de bloqueio situado na parte posterior do manípulo do joystick.

Pressione este botão para baixo para bloquear o eixo do leme de direção.

Volte a colocar esta botão na posição superior (predefinição) para desbloquear o leme de direção.

HAT SWITCH DE “PONTO DE VISTA” MULTIDIRECIONAL

O seu joystick inclui um hat switch de “ponto de vista” (2), o qual, como o nome indica, lhe permite ver instantaneamente tudo o que se passa à volta do seu avião (nos jogos onde esta funcionalidade está ativada). Para utilizar esta funcionalidade, simplesmente aceda ao menu de configuração do jogo e programe as diferentes vistas (vista traseira, vista para a esquerda, vista para a direita e também as vistas externas) nas direções do hat switch de “ponto de vista”.

Se desejar, em vez disso também pode reservar o hat switch de “ponto de vista” para outras utilizações (disparar, etc.).

SISTEMA AMBIDESTRO

O seu joystick TCA Sidestick Airbus Edition tem a vantagem de ser totalmente ambidestro, o que lhe permite adaptar-se na perfeição a todos os jogadores, sejam eles destros ou esquerdinos.

Para tal, é possível ajustar três elementos: a configuração dos botões na base, o módulo de botões direito e o módulo de botões esquerdo.

CONFIGURAÇÃO DOS BOTÕES NO MÓDULO DE BOTÕES DIREITO 3

Para definir as posições dos 12 botões situados na base para o modo DESTRO (ou do copiloto), regule o seletor (9) situado na base do joystick para **RIGHT HANDED** antes de ligar o joystick. O seu produto será em seguida reconhecido como um T.A320 Copilot.

CONFIGURAÇÃO DOS BOTÕES NO MÓDULO DE BOTÕES ESQUERDO 4

Para definir as posições dos 12 botões situados na base para o modo ESQUERDINO (ou do piloto), regule o seletor (9) situado na base do joystick para **LEFT HANDED** antes de ligar o joystick. O seu produto será em seguida reconhecido como um T.A320 Pilot.

TROCAR OS MÓDULOS 5

Por predefinição, o joystick está configurado no modo do piloto.

Para alterar a configuração entre as quatro opções diferentes disponíveis:

- A. Com uma chave de fendas pequena, desaperte cuidadosamente os dois parafusos no módulo de botões do lado esquerdo da cabeça da joystick.
- B. Troque os módulos de acordo com a sua configuração preferida.
- C. Volte a colocar os parafusos e reaperte-os completamente.

PC

INSTALAÇÃO NO PC

1. Ligue o conector USB (**B**) a uma das portas USB do computador.
O Windows 8 ou 10 irá detetar automaticamente o novo dispositivo.
 2. Os controladores são instalados automaticamente.
Siga as instruções apresentadas no ecrã para concluir a instalação.
 3. Clique em **Iniciar/Definições/Painel de Controlo** e faça duplo clique em **Controladores de jogos**.
*A caixa de diálogo **Controladores de jogos** mostra o nome do joystick com o estado OK.*
 4. No **Painel de Controlo**, clique em **Propriedades** para testar e ver todas as funções do seu joystick.
- Está agora pronto para começar a jogar!**

NOTA IMPORTANTE

Ao ligar o joystick, regule sempre o manípulo e o leme de direção para as posições centrais respetivas e evite movê-los (para evitar problemas de calibragem).

RESOLUÇÃO DE PROBLEMAS E AVISO

- **O meu joystick não funciona corretamente ou parece estar mal calibrado:**
 - Encerre o computador e desligue o joystick; em seguida, volte a ligar o joystick e reinicie o jogo.
 - Ao ligar o joystick, regule sempre o manípulo e o leme de direção para as posições centrais respetivas e evite movê-los (para evitar problemas de calibragem).
- **Não consigo configurar o meu joystick:**
 - No menu **Opções / Controlador / Gamepad** ou **Joystick** do jogo: selecione a configuração adequada, ou reconfigure completamente as opções do controlador.
 - Consulte o manual do utilizador ou o utilitário de ajuda online do jogo para mais informações.
- **O meu joystick é demasiado sensível ou não é suficientemente sensível:**
 - O seu joystick autocalibra-se independentemente assim que tiver executado alguns movimentos ao longo dos diferentes eixos.
 - No menu **Opções / Controlador / Gamepad** ou **Joystick**: ajuste a sensibilidade das zonas mortas do joystick (se estas opções estiverem disponíveis).



Este periférico destina-se exclusivamente a fins de entretenimento, sendo estritamente proibida a sua utilização para qualquer tipo de atividade de treino profissional.

INFORMAÇÕES SOBRE A GARANTIA PARA O CONSUMIDOR

A Guillemot Corporation S.A., com sede social sita em Place du Granier, B.P. 97143, 35571 Chantepie, França (a seguir designada como "Guillemot") garante a nível mundial ao consumidor que este produto Thrustmaster está livre de defeitos em termos de materiais e fabrico durante um período de garantia que corresponde ao limite de tempo para intentar uma ação de conformidade relativamente a este produto. Nos países da União Europeia, isto corresponde a um período de dois (2) anos desde a entrega do produto Thrustmaster. Noutros países, o período de garantia corresponde ao limite de tempo para intentar uma ação de conformidade relativamente ao produto Thrustmaster de acordo com a legislação em vigor do país no qual o consumidor residia à data de compra do produto Thrustmaster (se a dita ação não existir no país correspondente, então o período de garantia será de um (1) ano a partir da data de compra original do produto Thrustmaster).

No caso de o produto apresentar algum defeito durante o período da garantia, contacte imediatamente o Suporte Técnico, que lhe indicará o procedimento a tomar. Se esse defeito se confirmar, o produto terá de ser devolvido ao respetivo local de compra (ou qualquer outro local indicado pelo Suporte Técnico).

No âmbito da presente garantia, e por opção do Suporte Técnico, o produto defeituoso do consumidor será substituído ou reparado. Se, durante o período da garantia, o produto Thrustmaster for submetido à dita reparação, qualquer período mínimo de (7) dias durante o qual o produto estiver fora de serviço será adicionado ao período da garantia restante (este período decorre desde a data do pedido intervenção pelo consumidor ou desde a data em que o produto em questão é disponibilizado para reparação, se a data em que o produto é disponibilizado para reparação for posterior à data do pedido de intervenção). Se for permitido pela legislação em vigor, a responsabilidade total da Guillemot e das respetivas filiais (incluindo para danos indiretos) está limitada à reparação ou à substituição do produto Thrustmaster. Se for permitido pela legislação em vigor, a Guillemot rejeita todas as garantias de comercialização ou adequação a um fim específico.

A presente garantia não se aplicará: (1) se o produto tiver sido modificado, aberto, alterado ou danificado em resultado de utilização inadequada ou abusiva, negligência, acidente, desgaste normal ou qualquer outra causa relacionada com um defeito de material ou fabrico (incluindo, mas sem limitação, combinar o produto Thrustmaster com qualquer elemento inadequado, incluindo, em particular, fontes de alimentação, baterias recarregáveis, carregadores ou quaisquer outros elementos não fornecidos pela Guillemot para este produto); (2) se o produto tiver sido utilizado fora do âmbito da utilização doméstica, incluindo para fins profissionais ou comerciais (salas de jogos, treino e competições, por exemplo); (3) na eventualidade de incumprimento das instruções fornecidas pelo Suporte Técnico; (4) a software, estando o mesmo sujeito a uma garantia específica; (5) a consumíveis (elementos para substituir ao longo da vida útil do produto: baterias descartáveis, auscultadores de áudio ou auriculares de auscultadores, por exemplo); (6) a acessórios (cabos, estojos, bolsas, sacos e correias de pulso, por exemplo); (7) se o produto foi vendido num leilão público.

A presente garantia não é transmissível.

Os direitos legais do consumidor no que concerne à legislação aplicável à venda de bens de consumo no seu país não são afetados pela presente garantia.

Disposições de garantia adicionais

Durante o período da garantia, a Guillemot não fornecerá, em princípio, quaisquer peças de substituição, uma vez que o Suporte Técnico é a única parte autorizada a abrir e/ou reparar qualquer produto Thrustmaster (à exceção de quaisquer procedimentos de reparação que o

Suporte Técnico possa pedir ao consumidor para realizar, através de instruções por escrito – por exemplo, devido à simplicidade e à falta de confidencialidade do processo de reparação – e fornecendo ao consumidor a(s) peça(s) de substituição necessária(s), quando aplicável).

Tendo em conta os seus ciclos de inovação, e a fim de proteger o seu know-how e segredos comerciais, a Guillemot não fornecerá, em princípio, qualquer notificação de reparação ou peças de substituição para produtos Thrustmaster cujo período da garantia tenha expirado.

Nos Estados Unidos da América e no Canadá, a presente garantia está limitada ao mecanismo interno e à caixa do produto. Em nenhuma circunstância serão a Guillemot ou as respetivas filiais consideradas responsáveis perante terceiros por quaisquer danos indiretos ou acidentais resultantes da violação de quaisquer garantias expressas ou implícitas. Alguns estados/províncias não permitem a limitação da duração de uma garantia implícita ou a exclusão ou limitação de responsabilidade por danos indiretos ou acidentais, pelo que as limitações ou exclusões supracitadas podem não se aplicar a si. A presente garantia concede-lhe direitos legais específicos, podendo ter também outros direitos, que variam consoante o estado ou a província.

Responsabilidade

Se for permitido ao abrigo da legislação aplicável, a Guillemot Corporation S.A. (a seguir designada “Guillemot”) e as respetivas filiais rejeitam qualquer responsabilidade por danos resultantes de uma ou mais das seguintes causas: (1) o produto foi modificado, aberto ou alterado; (2) incumprimento das instruções de montagem; (3) utilização inadequada ou abusiva, negligência ou acidente (um impacto, por exemplo); (4) desgaste normal; (5) utilização do produto fora do âmbito além da utilização doméstica, incluindo para fins profissionais ou comerciais (salas de jogos, treino e competições, por exemplo). Se for permitido ao abrigo da legislação aplicável, a Guillemot e as respetivas filiais rejeitam qualquer responsabilidade por danos relacionados com um defeito de material ou fabrico relativamente ao produto (incluindo, mas sem limitação, quaisquer danos causados direta ou indiretamente por qualquer software ou por combinar o produto Thrustmaster com qualquer elemento inadequado, incluindo, em particular, fontes de alimentação, baterias recarregáveis, carregadores ou quaisquer outros elementos não fornecidos pela Guillemot para este produto).

THRUSTMASTER®

SUPOORTE TÉCNICO

<https://support.thrustmaster.com>



DIREITOS DE AUTOR

© 2020 Guillemot Corporation S.A. Todos os direitos reservados. Thrustmaster® é uma marca registada da Guillemot Corporation S.A.

AIRBUS, o respetivo logótipo e as marcas de serviços são marcas registadas da Airbus. Todos os direitos reservados.

© Airbus 2020. Todos os direitos reservados. Licenciado oficialmente pela Airbus.

Todas as outras marcas comerciais são pertencem aos respectivos proprietários. As ilustrações não são vinculativas. Os conteúdos, desenhos e especificações estão sujeitos a alteração sem aviso prévio e podem variar de país para país. Fabricado na China.

RECOMENDAÇÕES DE PROTECÇÃO AMBIENTAL



Na União Europeia: Quando este produto chegar ao fim da sua vida útil, não o elimine juntamente com os resíduos domésticos normais; em vez disso, deixe-o num ponto de recolha de resíduos de equipamento eléctrico e electrónico (REEE) para posterior reciclagem.

O símbolo presente no produto, no manual de utilizador ou na caixa confirma-o.

Os materiais podem ser reciclados, dependendo das suas características. Através da reciclagem e de outras formas de processamento de resíduos de equipamento eléctrico e electrónico, pode dar um importante contributo no sentido de ajudar a proteger o ambiente.

Contacte as autoridades locais para saber onde fica o ponto de recolha mais perto da sua área de residência.

Relativamente a todos os outros países: Respeite a legislação local sobre a reciclagem de equipamento eléctrico e electrónico.

Informações a reter. As cores e as decorações podem variar.

Os fechos e os adesivos devem ser removidos do produto antes da utilização.

www.thrustmaster.com

**Aplicável apenas à União Europeia e Turquia*

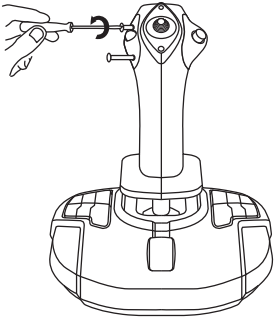


TCA SIDESTICK AIRBUS EDITION

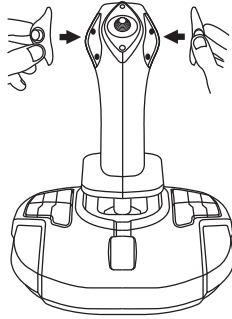


5

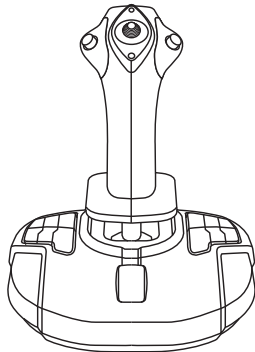
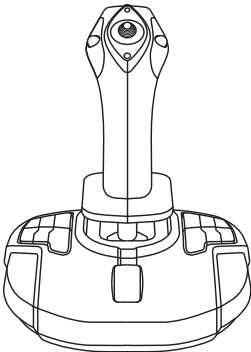
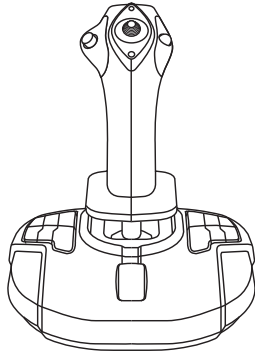
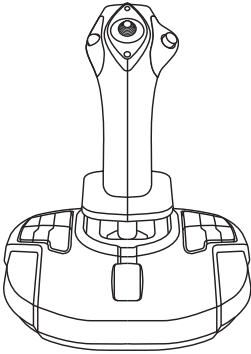
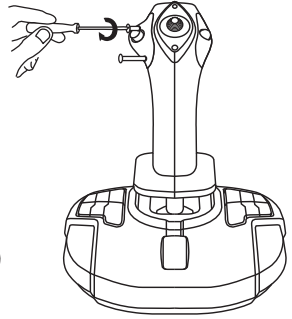
A



B



C



TCA SIDESTICK AIRBUS EDITION

Совместимость: ПК Руководство пользователя

ТЕХНИЧЕСКИЕ ХАРАКТЕРИСТИКИ ①

1. Цифровой триггер
2. Разнонаправленный переключатель точки обзора
3. Правый кнопочный модуль
4. Левый кнопочный модуль
5. Изменение направления с помощью вращающейся рукоятки с подручником и системы блокировки
6. Рычаг управления (с 1 виртуальной кнопкой)
7. 15 командных кнопок
8. USB-кабель для подключения к ПК
9. Переключатель кнопок для левой или правой руки

ОПИСАНИЕ ДЖОЙСТИКА

УНИКАЛЬНАЯ ТЕХНОЛОГИЯ ОБЕСПЕЧЕНИЯ ТОЧНОСТИ: H.E.A.R.T: HallEffect AccuRate Technology

В джойстике TCA Sidestick Airbus Edition используется технология, обеспечивающая такую точность, которой в настоящее время нет аналогов в мире игровых джойстиков, включая следующие характеристики:

- Трехмерные магнитные датчики (эффект Халла), установленные на рукоятке, с разрешением более 268 миллионов значений по горизонтальной и вертикальной осям (16 384 x 16 384 значений), тогда как современные системы других производителей (даже самые высокотехнологичные из них) обеспечивают разрешение всего лишь около 1 миллиона значений (1024 x 1024 значений).
- Магнит: без трения, для обеспечения максимальной точности и невероятной скорости отклика, которые не изменяются со временем.
- Цилиндрическая винтовая пружина на рукоятке (2,8 мм): для стабильного и чрезвычайно плавного линейного сопротивления.

РЫЧАГ УПРАВЛЕНИЯ

На джойстике имеется рычаг управления (6), позволяющий легко контролировать тягу двигателя самолета.

Виртуальная кнопка (номер 17, рис. 3) активируется в первые 20 процентов движения рычага управления, например, для включения реверсоров тяги.

ФУНКЦИЯ НАПРАВЛЕНИЯ

Джойстик оснащен функцией направления (5): во время полета пилот перемещает руль направления, чтобы изменять угол наклона самолета относительно его вертикальной оси и тем самым поворачивать самолет влево или вправо.

Для использования функции направления рукоятку необходимо поворачивать (то есть вращать) влево или вправо.

БЛОКИРОВКА/РАЗБЛОКИРОВКА ФУНКЦИИ НАПРАВЛЕНИЯ 2

Функция направления отключается кнопкой блокировки на задней части рукоятки джойстика.

Вдавите эту кнопку, чтобы заблокировать ось руля направления.

Переместите эту кнопку в верхнее (то есть в начальное) положение, чтобы разблокировать ось руля.

РАЗНОНАПРАВЛЕННЫЙ ПЕРЕКЛЮЧАТЕЛЬ ТОЧКИ ОБЗОРА

На джойстике установлен переключатель точки обзора (2), который, как понятно из его названия, позволяет быстро изучить обстановку вокруг самолета (в тех играх, в которых такая возможность предусмотрена). Для использования этой функции просто перейдите в меню настроек игры и запрограммируйте различные точки обзора (обзор заднего вида, обзор слева и справа, а также внешний обзор) по направлениям переключателя точки обзора.

При желании вместо этого переключателя точки обзора можно зарезервировать для других функций (стрельба и т. д.).

СИСТЕМА ДЛЯ ЛЕВОЙ И ПРАВОЙ РУКИ

Джойстик TCA Sidestick Airbus Edition полностью настраивается под левую и правую руку, благодаря чему он подойдет для всех игроков, как правой, так и левой.

Для этого можно настроить три элемента: кнопки на базе, правый кнопочный модуль и левый кнопочный модуль.

НАСТРОЙКА КНОПОК ДЛЯ ПРАВОЙ РУКИ 3

Чтобы настроить 12 кнопок, расположенных на базе, для игры ПРАВОЙ рукой (или в качестве второго пилота/помощника командира), перед подключением джойстика переместите переключатель (9), расположенный в нижней части базы, в положение **RIGHT HANDED**. После этого джойстик будет распознан как рукоятка второго пилота T.A320 Copilot.

НАСТРОЙКА КНОПОК ДЛЯ ЛЕВОЙ РУКИ 4

Чтобы настроить 12 кнопок, расположенных на базе, для игры ЛЕВОЙ рукой (или в качестве первого пилота), перед подключением джойстика переместите переключатель (9), расположенный в нижней части базы, в положение **LEFT HANDED**. Джойстик будет распознан как рукоятка первого пилота T.A320 Pilot.

ПЕРЕСТАНОВКА МОДУЛЕЙ **5**

По умолчанию для джойстика установлен режим первого пилота.

Чтобы установить одну из четырех доступных конфигураций, выполните следующие действия.

- A. С помощью маленькой отвертки осторожно открутите два винта в кнопочном модуле с левой стороны головки джойстика.
- B. Переставьте модули в соответствии с выбранной конфигурацией.
- C. Вставьте винты на место и затяните их до упора.

ПК

УСТАНОВКА НА ПК

1. Подключите USB-разъем **(8)** к USB-порту компьютера.
Windows 8 или 10 обнаружат новое устройство автоматически.
2. Установка драйверов выполняется в автоматическом режиме.
Для выполнения установки следуйте инструкциям на экране.
3. Нажмите **Start (Пуск)/ Settings (Параметры)/ Control Panel (Панель управления)** и дважды щелкните **Game Controllers (Игровые устройства)**.
*В окне **Игровые устройства** отобразится имя джойстика со статусом **OK**.*
4. На **Control Panel (Панели управления)** щелкните **Properties (Свойства)**, чтобы просмотреть и протестировать все функции джойстика.
Теперь вы готовы к игре!

ВАЖНОЕ ЗАМЕЧАНИЕ

При подключении джойстика обязательно установите рукоятку и руль поворота в центральное положение и постарайтесь их не сдвинуть во избежание проблем с калибровкой.

УСТРАНЕНИЕ НЕИСПРАВНОСТЕЙ И ПРЕДУПРЕЖДЕНИЯ

- **Джойстик не работает должным образом или, возможно, откалиброван неправильно:**
 - Выключите питание компьютера и отключите джойстик, после чего снова включите компьютер, подключите к нему джойстик и перезапустите игру.
 - При подключении джойстика: всегда устанавливайте рукоятку и руль поворота в центральное положение и постарайтесь их не сдвинуть во избежание проблем с калибровкой.
- **Не удается настроить джойстик:**
 - Перейдите в меню **Параметры/Контроллер/Геймпад** или **Джойстик**: выберите подходящую конфигурацию или заново настройте параметры контроллера.
 - Для получения дополнительной информации см. руководство пользователя или онлайн-справку для своей игры.

- **Джойстик слишком или недостаточно чувствителен:**
- Джойстик калибруется самостоятельно после его перемещения вдоль разных осей.
- Перейдите в меню **Параметры/Контроллер/Геймпад** или **Джойстик**: настройте чувствительность и мертвые зоны для джойстика (если эти параметры доступны).



Это периферийное устройство предназначено исключительно для развлекательных игр и его использование для какой-либо профессиональной подготовки категорически запрещено.

Сведения о потребительской гарантии

Корпорация Guillemot Corporation S.A., зарегистрированная по адресу Place du Granier, B.P. 97143, 35571 Chantepie, Франция, (далее — «Guillemot») гарантирует своим клиентам во всем мире, что в данном изделии Thrustmaster не будет выявлено никаких дефектов материалов и производства в течение гарантийного периода, который равен сроку предъявления претензии по соответствию для данного изделия. В странах Европейского Союза этот срок соответствует двум (2) годам с момента поставки изделия Thrustmaster. В других странах гарантийный период равен сроку предъявления претензии по соответствию для изделия Thrustmaster, определяемому соответствующим законодательством страны, в которой проживал потребитель на момент приобретения изделия Thrustmaster (если подобные претензии не действуют в соответствующей стране, гарантийный период равняется одному (1) году с первоначальной даты приобретения изделия Thrustmaster).

В случае обнаружения дефектов изделия во время гарантийного периода незамедлительно обратитесь в службу технической поддержки, сотрудники которой определяют дальнейшую процедуру. Если дефект будет подтвержден, изделие следует вернуть по месту приобретения (или в любое другое место, указанное службой технической поддержки).

В рамках действия гарантии дефектное изделие будет, по усмотрению службы технической поддержки, заменено или возвращено в рабочее состояние. Если в течение гарантийного срока изделие Thrustmaster будет подвержено такому восстановлению, к оставшемуся гарантийному сроку прибавляется период времени, но не менее семи (7) дней, во время которого изделие находилось вне употребления (началом этого периода считается дата запроса покупателя о вмешательстве или дата предоставления дефектного изделия для восстановления, если изделие было предоставлено для восстановления позднее, чем был сделан запрос о вмешательстве). В мере, разрешенной применимым законодательством, полная ответственность компании Guillemot и ее дочерних компаний (в том числе косвенный ущерб) ограничивается восстановлением рабочего состояния или заменой изделия Thrustmaster. В мере, разрешенной применимым законодательством, компания Guillemot отказывается от любых гарантий коммерческой пригодности или пригодности для определенной цели.

Настоящая гарантия не распространяется: (1) на ситуации, когда изделие было видоизменено, открыто, модифицировано или получило повреждения в результате недопустимого или неправильного использования, небрежности или несчастного случая, естественного износа или любой другой причины, не связанной с дефектом материалов или производства (включая, помимо прочего, использование изделия Thrustmaster совместно с любыми неподходящими элементами, в частности — с блоками питания, аккумуляторами, зарядными устройствами и любыми другими элементами, не входящими в комплектацию Guillemot для данного изделия); (2) на случаи использования продукта в любых целях, кроме бытовых, в том числе на случаи профессионального или коммерческого применения (например, в игровых залах, для проведения обучения и соревнований); (3) на ситуации,

когда указания службы технической поддержки не были выполнены; (4) на ПО, так как на такое ПО распространяется отдельная гарантия; (5) на расходные материалы (элементы, предназначенные для замены в течение срока службы изделия: например, батарейки и ушные подушки для гарнитур или наушников); (6) на аксессуары (например, кабели, чехлы, сумки, футляры, наручные ремешки); (7) на случаи продажи изделия с открытого аукциона. Данная гарантия не подлежит передаче.

Настоящая гарантия не ущемляет прав потребителя, предоставляемых ему применимыми законами в отношении продажи потребительских товаров в соответствующей стране.

Дополнительные условия гарантии

В течение гарантийного срока компания Guillemot, в общем и целом, не предоставляет никаких запасных частей, так как вскрытие и/или модификацию любых изделий Thrustmaster вправе осуществлять только служба технической поддержки (за исключением каких-либо процедур по модификации, которые служба технической поддержки может предложить выполнить клиенту путем письменных инструкций и предоставления, при необходимости, требуемых запасных частей: например, в связи с отсутствием статуса сложности или конфиденциальности у такой восстановительной процедуры).

С учетом периода освоения новых изделий и в целях защиты своих ноу-хау и коммерческих тайн компания Guillemot, в общем и целом, не предоставляет каких-либо уведомлений о восстановлении или запасных частей для любых изделий Thrustmaster с истекшим гарантийным сроком.

Ответственность

В мере, разрешенной применимым законодательством, компания Guillemot Corporation S.A. (далее — «Guillemot») и ее дочерние предприятия отказываются от любой ответственности за любой ущерб, вызванный одним или несколькими из следующих факторов: (1) видоизменение, вскрытие или модификация изделия; (2) несоблюдение инструкций по сборке; (3) недопустимое или неправильное использование, небрежность, несчастный случай (например, физическое воздействие); (4) естественный износ; (5) использование продукта в любых целях, кроме бытовых, в том числе профессиональное или коммерческое применение (например, в игровых залах, для проведение обучения и соревнований). В мере, разрешенной применимым законодательством, компания Guillemot и ее дочерние предприятия отказываются от любой ответственности за любой ущерб, не связанный с дефектами материалов или изготовления, в отношении данного изделия (включая, помимо прочего, любой ущерб, вызванный прямо или опосредованно любым программным обеспечением или использованием изделия Thrustmaster с любыми неподходящими элементами, в частности — блоками питания, аккумуляторами, зарядными устройствами и любыми другими элементами, не входящими в комплектацию Guillemot для данного изделия).

THRUSTMASTER®

ТЕХНИЧЕСКОЙ ПОДДЕРЖКИ

<https://support.thrustmaster.com>



АВТОРСКОЕ ПРАВО

© 2020 Guillemot Corporation S.A. Все права защищены. Thrustmaster® является зарегистрированной торговой маркой Guillemot Corporation.

AIRBUS, логотип, а также знаки продукции и обслуживания являются зарегистрированными товарными знаками корпорации Airbus. Все права защищены.

© Airbus, 2020. Все права защищены. Продукт, официально лицензированный корпорацией Airbus.

Все прочие торговые марки являются собственностью соответствующих владельцев. Иллюстрации могут не соответствовать внешнему виду/функциям конкретного изделия. Содержание руководства, конструкция и технические характеристики изделия изменяются без предварительного уведомления и зависят от страны приобретения.

При пользовании изделием учитывайте следующее: цвета и дизайн могут различаться. Пластиковые стяжки и клейкую ленту следует снять перед использованием изделия.

www.thrustmaster.com

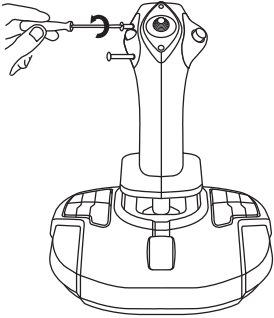


TCA SIDESTICK AIRBUS EDITION

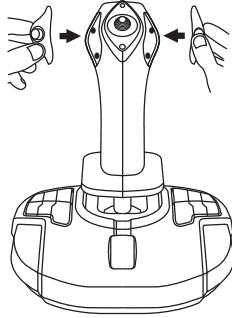


5

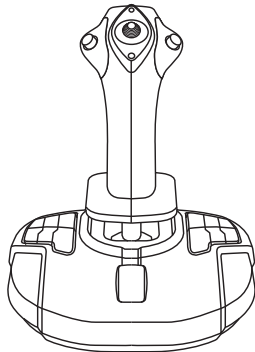
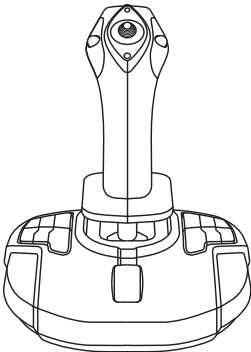
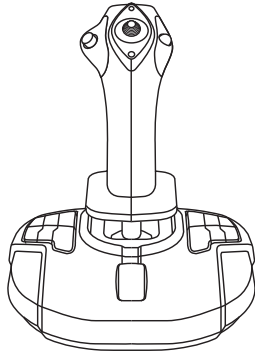
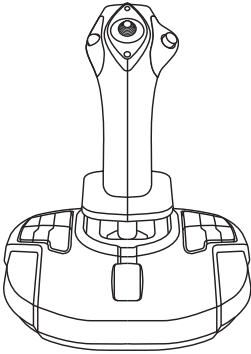
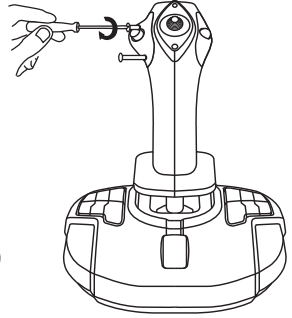
A



B



C



TCA SIDESTICK AIRBUS EDITION

Kompatibilita: PC
Uživatelský manuál

TECHNICKÉ VLASTNOSTI 1

1. Digitální spoušť
2. Mnoha směrový kloboučkový spínač "Point of View"
3. Tlačítko pravého modulu
4. Tlačítko levého modulu
5. Ovládání směrovky pomocí otáčení rukověti s opěrkou ruky + uzamykací systém
6. Ovladač plynu (s 1 virtuálním tlačítkem)
7. 15 akčních tlačítek
8. PC USB rozhraní
9. Pravoruká nebo levoruká tlačítka voliče přepínače

POZNEJTE SVŮJ JOYSTICK

EXKLUZIVNÍ PRECIZNÍ TECHNOLOGIE:
H.E.A.R.T: HallEffect AccuRate Technology

Váš joystick TCA Sidestick Airbus Edition je vybaven technologií, která mu poskytuje nepřekonatelnou úroveň přesnosti ve světě herních joysticků, včetně:

- 3 D (Hall Efekt) magnetické snímače na páce, s rozlišením více než 268 milionů hodnot na osách X a Y (16,384 x 16,384 hodnot), zatímco současné konkurenční systémy (dokonce i ty špičkové) poskytují rozlišení kolem 1 milionu hodnot (1,024 x 1,024 hodnot).
- Magnetické: Žádné tření, pro neomezenou přesnost a neuvěřitelnou citlivost, která vydrží.
- Pružina cívky na tyče (2,8 mm): pro pevné, lineární a ultra plynulý chod.

OVLADAČ PLYNU

Váš joystick je vybaven ovladačem plynu (6), kterým můžete snadno ovládat tah motoru vašeho letadla.

Virtuální tlačítko (číslo 17, schéma 3) je aktivováno v prvních 20 % dráhy ovladače plynu, aby například bylo možné aktivovat zpětný tah.

FUNKCE SMĚROVKY

Váš joystick je vybaven funkcí směrovky (5): v letadle pilot manipuluje směrovkou, aby se letadlo otáčelo kolem svislé osy (aby letadlo zatočilo doleva nebo doprava).

Tato funkce směrovky na je joysticku dostupná otáčením rukověti joysticku (tj. kroucením) doleva nebo doprava.

UZAMČENÍ/ODEMČENÍ FUNKCE SMĚROVKY 2

Funkci směrovky lze vypnout pomocí uzamykacího tlačítka na zadní straně rukověti joysticku.

Stlačením tohoto tlačítka dolů uzamknete osu směrovky.

Posunutím tlačítka zpět do horné polohy (tj. výchozí) pozice odemknete osu směrovky.

MNOHASMĚROVÝ KLOBOUČKOVÝ PŘEPÍNAČ "POINT OF VIEW"

Váš joystick je vybaven kloboučkovým přepínačem "Point of View" (2), který, jak napovídá jeho název, umožňuje okamžitě zobrazit vše, co se děje kolem vašeho letadla (ve hrách, kde je tato funkce povolena). Chcete-li tuto funkci použít, jednoduše vstupte do manu nastavení hry, a naprogramujte si různé pohledy (zadní pohled, výhled vlevo, výhled vpravo a také externí pohledy) na pozice kloboučkového přepínače "Point of View".

Pokud si přejete, můžete kloboučkový přepínač "Point of View" využít i pro jiné použití (např. střelbu atd.).

OBOURUKÝ SYSTÉM

Váš joystick TCA Sidestick Airbus Edition má výhodu v tom, že je plně obouruký, což umožňuje dokonalé přizpůsobení pro všechny hráče ať už jste pravák nebo levák.

Chcete-li tak učinit, můžete nastavit tři prvky: konfigurace tlačítek na základně, modul pravých tlačítek a modul levých tlačítek.

KONFIGURACE TLAČÍTEK V PRAVORUKÉM REŽIMU 3

Pro nastavení pozic 12 tlačítek umístěných na základně pro režim PRAVÁKŮ (nebo kopilot/první důstojník), nastavte přepínač (9), umístěný pod základnou joysticku do pozice pro praváky **RIGHT HANDED** předtím, než joystick připojíte. Váš produkt bude rozpoznán jako T.A320 Copilot.

KONFIGURACE TLAČÍTEK V LEVORUKÉM REŽIMU 4

Pro nastavení pozic 12 tlačítek umístěných na základně pro režim LEVÁKŮ (nebo pilot), nastavte přepínač (9), umístěný pod základnou joysticku do pozice pro leváky **LEFT HANDED** předtím, než joystick připojíte. Váš produkt bude rozpoznán jako T.A320 Pilot.

ZMĚNA REŽIMŮ 5

Ve výchozím stavu je joystick nastaven do režimu pilot.

Pro změnu konfigurace mezi čtyřmi různými dostupnými možnostmi:

- A. Pomocí malého šroubováky, opatrně odšroubujte dva šroubky na modulu tlačítek na levé straně hlavy joysticku.
- B. Moduly zaměňte podle vaší preferované konfigurace.
- C. Šroubky vraťte zpátky a dobře je utáhněte.

PC

INSTALACE NA PC

1. Připojte USB konektor **(8)** k jednomu z USB rozhraní na vašem počítači.
Windows 8 nebo 10 automaticky rozpoznají nové zařízení.
2. Ovladače se automaticky nainstalují.
Pro dokončení instalace pokračujte podle pokynů na displeji.
3. Klikněte na **Start/Nastavení/Ovládací panel** a dvakrát klikněte na **Herní ovladače**.
*Zobrazí se dialog **Herních ovladačů** s názvem joysticku a se statusem **OK**.*
4. V **Ovládacích panelech** klikněte na **Vlastnosti**, zde si můžete otestovat a prohlédnout všechny funkce vašeho joysticku.

Nyní jste připraveni ke hraní!

DŮLEŽITÁ POZNÁMKA

Při připojování joysticku, vždy nastavte páku a směrovku do středové polohy a nepohybujte s nimi (zamezíte tím problémům s kalibrací).

ŘEŠENÍ PROBLÉMŮ A VAROVÁNÍ

- **Můj joystick nefunguje správně, nebo se zdá být nesprávně nakalibrován:**
 - Počítač vypněte a odpojte svůj joystick; opět počítač zapněte, připojte váš joystick a spusťte vaši hru.
 - Při připojování joysticku: vždy nastavte páku a směrovku do středové polohy a nepohybujte s nimi (zamezíte tím problémům s kalibrací).
- **Nedaří se mi nakonfigurovat můj joystick:**
 - V menu **Možnosti/Ovladač/Gamepad** nebo **joystick** vaší hry: zvolte příslušnou konfiguraci, nebo úplně rekonfigurujte možnosti ovladače.
 - Další informace naleznete v uživatelském manuálu hry nebo v online nástroji nápovědy.
- **Můj joystick je příliš citlivý nebo není dostatečně citlivý:**
 - Váš joystick se sám nezávisle nekalibruje, jakmile provedete pohyby podle různých os.
 - V menu **Možnosti/Ovladač/Gamepad** nebo **joystick** vaší hry: nastavte citlivost a mrtvé zóny vašeho joysticku (pokud jsou tyto volby dostupné).



Toto periferní zařízení je určeno pouze pro herní zábavní účely a jeho použití je přísně zakázáno pro jakýkoliv druh profesionálních aktivit.

SPOTŘEBITELSKÉ INFORMACE O ZÁRUCE

Celosvětově, Guillemot Corporation S.A., jejíž sídlo se nachází na Place du Granier, B.P. 97143, 35571 Chantepie, France (dále jen "Guillemot") zaručuje spotřebiteli, že tento výrobek od Thrustmasteru bude bez závad materiálu a zpracování, po dobu záruční doby od okamžiku převzetí výrobku ve shodě s ohledem na tento výrobek. V zemích Evropské Unie, tato doba odpovídá dvěma (2) letům od dodání výrobku Thrustmaster. V ostatních zemích, záruční doba odpovídá časovému intervalu od převzetí výrobku Thrustmaster v souladu s platnými zákony země, ve které měl spotřebitel trvalý pobyt ke dni nákupu výrobku Thrustmaster (pokud žádné takové opatření v příslušné zemi neexistuje, záruční doba bude jeden (1) rok od data nákupu výrobku Thrustmaster).

Bez ohledu na výše uvedené podmínky, je záruční doba na dobíjecí baterie omezena na dobu šesti (6) měsíců od původního datumu nákupu.

Pokud se u výrobku během záruční doby objeví závada, neprodleně kontaktujte Technickou podporu, kde vám naznačí postup, jak záruku uplatnit. Pokud bude závada uznána, výrobek musí být vrácen prodávajícímu, kde byl zakoupen (nebo na jiné místo, které určí Technická podpora).

V rámci této záruky, bude vadný výrobek podle Technické podpory buď vyměněn nebo uveden do funkčního stavu. Pokud bude během záruční doby výrobek Thrustmasteru opravován, bude záruční doba o dobu, kdy nebylo možné výrobek používat prodloužena, nejméně alespoň o sedm (7) dní (tato doba začíná datem, kdy zákazník požádal o vyřízení reklamace nebo od data, kdy dotyčný produkt byl k dispozici pro opravu, pokud datum předání výrobku k opravě je po datu žádosti o vyřízení reklamace). Pokud to umožňují platné zákony, je plná odpovědnost společnosti Guillemot a jejich dceřiných společností (včetně následných škod) omezena na navrácení produktu do provozuschopného stavu nebo na výměnu výrobku Thrustmaster. Pokud to umožňují platné zákony, Guillemot se zřídka všech záruk obchodovatelnosti nebo vhodnosti pro určitý účel.

Tato záruka se nevztahuje na: (1) pokud byl výrobek modifikován, otevřen, změněn nebo utrpěl poškození v důsledku nevhodného nebo nesprávného používání, nedbalosti, nehody, běžného opotřebení, nebo jakékoliv jiné příčiny, nesouvisející s vadou materiálu nebo zpracování (včetně, ale ne pouze, při kombinaci výrobku Thrustmaster s jakýmkoliv nevhodným prvkem, včetně zejména napájecích adaptérů, nabíjecích baterií, nabíječky, nebo jiných prvků, které nebyly k tomuto výrobku dodány společností Guillemot; (2) pokud byl výrobek používán pro jiné účely než domácí použití, včetně profesionálních a komerčních účelů (např. v hemách, při tréninku, při závodech); (3) v případě nedodržení pokynů poskytovatých Technickou podporou; (4) software, na zmíněný software je poskytována zvláštní záruka; (5) spotřební materiál (prvky, které mohou být vyměněny v průběhu životnosti produktu: baterie na jedno použití, náhlavní sluchátkové soupravy nebo např. náušníky sluchátek); (6) příslušenství (například kabely, pouzdra, brašny, zápestní řemínky); (7) pokud byl výrobek prodán ve veřejné aukci.

Tato záruka je nepřenositelná.

Zákonná práva spotřebitele vzhledem k platným zákonům vztahujícím se na prodej spotřebního zboží v jeho nebo její zemi nejsou touto zárukou ovlivněny.

Další ustanovení o záruce

V průběhu záruční doby, Guillemot zásadně nedodává žádné náhradní díly, neboť Technická podpora je jedinou stranou autorizovanou k demontáži a opravě jakéhokoliv produktu Thrustmaster (s výjimkou jakékoliv opravy, o kterou zákazníka požádá Technická podpora prostřednictvím písemných pokynů, například z důvodu jednoduchosti a neutajovaného postupu opravy a poskytnutím požadovaných náhradních dílů, jsou-li použitelné).

Vzhledem ke svému inovačnímu cyklu a s cílem ochrany know-how a obchodního tajemství, nesmí Guillemot zásadně poskytovat jakékoliv vyrozumění o opravách nebo náhradních dílech jakéhokoliv výrobku Thrustmaster, jehož záruční doba již vypršela.

Odpovědnost

Pokud to povolují příslušné zákony, Guillemot Corporation S.A. (dále jen "Guillemot") a její dceřiné společnosti se zříkají veškeré odpovědnosti za škody způsobené jedním nebo více následujícími body: (1) výrobek byl modifikován, otevřen nebo pozměněn; (2) nedodržení návodu k montáži; (3) nevhodné nebo nesprávné používání, nedbalost, nehoda (například náraz); (4) běžné opotřebení; (5) použití výrobku pro jakékoliv jiné než domácí použití, včetně profesionálního nebo komerčního použití (například v hernách, pro výcvik, při soutěžích). Pokud to povolují příslušné zákony, Guillemot a její dceřiné společnosti se zříkají veškeré odpovědnosti za jakékoliv škody, které nesouvisí s použitými materiály nebo výrobní vadou příslušného výrobku (včetně, ale nikoliv výhradně, veškerých škod způsobených přímo nebo nepřímo softwarem, nebo kombinací výrobku Thrustmaster s jakýmkoliv nevhodným prvkem včetně zejména napájecími zdroji, dobíjecími bateriemi, nabíječkami nebo jakýmikoliv jinými prvky, které nebyly společnostmi Guillemot k tomuto výrobku dodány).



COPYRIGHT

© 2020 Guillemot Corporation S.A. Všechna práva vyhrazena. Thrustmaster® je registrovaná obchodní známka společnosti Guillemot Corporation S.A. Windows® je registrovaná obchodní známka společnosti Microsoft Corporation ve Spojených státech a/nebo v dalších zemích.

AIRBUS, jeho logo, produkt a servisní značky jsou ochranné známky společnosti Airbus. Všechna práva vyhrazena.

© Airbus 2020. Všechna práva vyhrazena. Oficiálně licencováno společností Airbus.

Všechny ostatní obchodní známky jsou ve vlastnictví příslušných vlastníků. Obrázky nejsou závazné. Obsah, design a specifikace mohou být změněny bez předchozího upozornění a mohou se v jednotlivých zemích lišit. Vyrobeno v Číně.

DOPORUČENÁ OCHRANA ŽIVOTNÍHO PROSTŘEDÍ



* V zemích Evropské unie: Na konci životnosti by tento výrobek neměl být vhozen do standardního směsného odpadu, ale odevzdán do sběrného dvoru na recyklaci elektrických a elektronických zařízení.

Toto je potvrzeno symbolem, který je na výrobku, v uživatelském manuálu nebo na obalu.



V závislosti na charakteristice materiálů, mohou být tyto recyklovány. Recyklací a dalšími formami zpracování odpadních elektrických a

elektronických zařízení můžete významným způsobem přispět k ochraně životního prostředí.

Pro informace o nejbližším sběrném dvoru se obraťte na místní úřad.

Pro všechny ostatní země: Dodržujte prosím místní předpisy týkající se recyklace elektrických a elektronických zařízení.

Tyto informace si uchovejte. Barvy a dekorace se mohou lišit.

Před použitím by měly být z výrobku odstraněny plastové spojovací lepicí materiály.

www.thrustmaster.com

**Platné pouze pro EU a Turecko*



TCA SIDESTICK AIRBUS EDITION

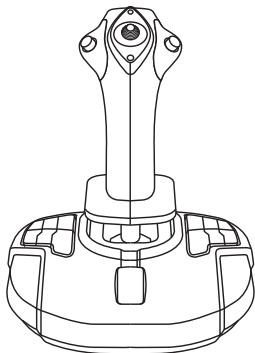
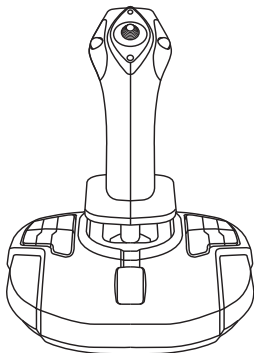
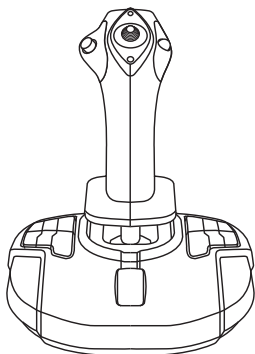
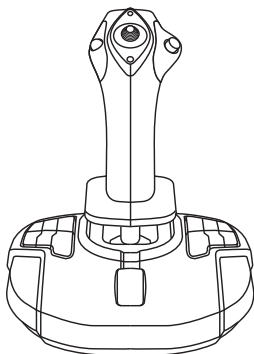
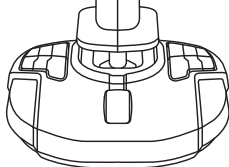
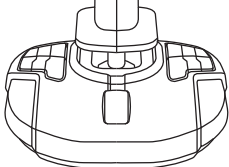
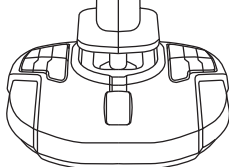
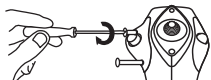
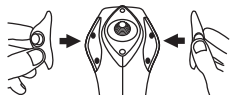
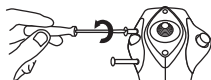


5

A

B

C



TCA SIDESTICK AIRBUS EDITION

Uyumlu olduđu platformlar: PC Kullanma Kılavuzu

TEKNİK ÖZELLİKLER ❶

1. Dijital tetik
2. Çok yönlü "Görüş Açısı" başlık düğmesi
3. Sağ düğme modülü
4. Sol düğme modülü
5. El dayama yeri + kilitleme sistemi olan kol döndürmeli dümen kontrolü
6. Gaz kolu (1 sanal düğme ile)
7. 15 eylem düğmesi
8. PC USB konektörü
9. Sağ veya sol elini kullanan düğme seçme anahtarı

JOSTICK'İ TANIYALIM

ÖZEL HASSASİYET TEKNOLOJİSİ:

H.E.A.R.T: Halleffect AccuRate Technology

TCA Sidestick Airbus Edition joystick'iniz şu özellikler de dahil olmak üzere, halihazırda oyun joystick'leri dünyasında eşsiz hassasiyet seviyesi sağlayan bir teknolojiye sahiptir:

- Kol üzerinde 3D (Hall Etkisi) manyetik sensörü, mevcut rakip sistemler (son teknoloji sistemler bile) sadece 1 milyon değer (1.024 x 1.024 değer) civarında çözünürlük sağlarken X ve Y eksenlerinde 268 milyonu aşkın değere sahip çözünürlük (16.384 x 16.384 değer) sağlar.
- Bir mıknatıs: bitmeyen sınırsız hassasiyet ve olağanüstü tepkisellik için sürtünme yok.
- Kol üzerinde helezon yay (2,8 mm): sıkı, doğrusal ve ultra akıcı gerilim için.

GAZ KOLU

Joystick'iniz, uçağınızın motor itme kuvvetini kolayca kontrol etmeniz için kullanabileceğiniz bir gaz kolu (6) içerir.

Örneğin ters itme sistemlerini çalıştırmak için gaz kolu hareket aralığının ilk yüzde 20'sinde bir sanal düğme (diyagram 3, 17 numara) sağlanmıştır.

DÜMEN FONKSİYONU

Joystick'inizde bir dümen fonksiyonu (5) mevcuttur: bir uçakta uçağı dikey eksenini etrafında döndürmek için (uçağı sağa veya sağa döndürmek) pilot dümeni kullanır.

Bu dümen fonksiyonu joystick'inizde kolu sağa veya sola döndürerek (yani çevirerek) kullanılabilir.

DÜMEN FONKSİYONUNU KİLİTLEME/KİLİDİNİ AÇMA 2

Dümen fonksiyonu, joystick kolunun arka kısmındaki kilitleme düğmesi kullanılarak devre dışı bırakılabilir.

Dümen eksenini kilitlemek için bu düğmeyi içeri bastırın.

Dümen ekseninin kilidini açmak için bu düğmeyi yeniden yukarı (varsayılan) konuma getirin.

ÇOK YÖNLÜ "GÖRÜŞ AÇISI" BAŞLIK DÜĞMESİ

Joystick'iniz adından da anlaşılacağı üzere (bu özelliğinin etkin olduğu oyunlarda) uçağınızın çevresinde olan her şeyi anında görmeyi sağlayan bir "Görüş Açısı" başlık düğmesi (2) içerir. Bu özelliği kullanmak için oyunun kurulum menüsüne giderek farklı görünümüleri (arkadan görünüm, soldan görünüm, sağdan görünüm ve dıştan görünüm) "Görüş Açısı" başlık düğmesinin yönlerine programlayın.

İsterseniz "Bakış Açısı" başlık düğmesini başka amaçlarla (ateşleme, vb.) kullanmak için ayırabilirsiniz.

İKİ YÖNLÜ SİSTEM

TCA Sidestick Airbus Edition joystick'iniz sağ veya sol elini kullanan tüm kullanıcılara mükemmel uyum sağlamak için komple iki yönlü kullanıma avantajına sahiptir.

Bunun için 3 eleman ayarlanabilir: tabandaki düğmelerin, sağ düğme modülünün ve sol düğme modülünün konfigürasyonu.

SAĞ ELE UYGUN MODDA DÜĞME KONFIGÜRASYONU 3

Tabanda bulunan 12 düğmenin pozisyonlarını SAĞ ELE UYGUN (veya ikinci pilot/yardımcı pilot) moda ayarlamak için joystick'i bağlamadan önce joystick tabanının altında bulunan seçme düğmesini (9) RIGHT HANDED konumuna getirin. Bu durumda ürününüz bir T.A320 Copilot olarak algılanacaktır.

SOL ELE UYGUN MODDA DÜĞME KONFIGÜRASYONU 4

Tabanda bulunan 12 düğmenin pozisyonlarını SOL ELE UYGUN (veya pilot) moda ayarlamak için joystick'i bağlamadan önce joystick tabanının altında bulunan seçme düğmesini (9) LEFT HANDED konumuna getirin. Bu durumda ürününüz bir T.A320 Pilot olarak algılanacaktır.

MODÜLLERİ DEĞİŞTİRME 5

Standart olarak joystick pilot moduna ayarlanmıştır.

Mevcut dört farklı seçenek arasında konfigürasyonu değiştirmek için:

- Küçük bir tornavida kullanarak joystick kafasının sol tarafındaki düğme modülünde bulunan iki vidayı dikkatlice sökün.
- Modülleri tercih ettiğiniz konfigürasyona göre değiştirin.
- Vidalaları geri takın ve sonuna kadar yeniden sıkın.

PC

PC'DE KURULUM

1. USB konektörünü (8) bilgisayarın USB bağlantı noktalarından birine bağlayın.
Windows 8 veya 10 yeni aygıtı otomatik olarak algılayacaktır.
2. Sürücüler otomatik olarak yüklenir.
Ekrandaki talimatları izleyerek kurulumu tamamlayın.
3. **Başlat/Ayarlar/Denetim Masası**'na tıklayarak **Oyun Kumandaları**'na çift tıklayın.
Oyun Kumandaları iletişim kutusu, joystick'in adını **OK** durumunda gösterir.
4. **Denetim Masası**'nda, joystick fonksiyonlarının tamamını test etmek ve görmek için **Özellikler**'e tıklayın.

Artık oynamaya hazırsınız!

ÖNEMLİ NOT

Joystick'inizi bağlarken her türlü kalibrasyon sorununu engellemek için daima kol ve dümeni merkez pozisyonlarına getirin ve hareket ettirmekten kaçının.

SORUN GİDERME VE UYARI

- **Joystick düzgün çalışmıyor ya da uygun kalibre edilmemiş gözüküyor:**
 - Bilgisayarınızı kapatın ve joystick'inizi ayırın; ardından bilgisayarınızı yeniden açın, joystick'inizi tekrar bağlayın ve oyununuzu yeniden başlatın.
 - Joystick'inizi bağlarken her türlü kalibrasyon sorununu engellemek için daima kol ve dümeni merkez pozisyonlarına getirin ve hareket ettirmekten kaçının.
- **Joystick'imizi ayarlayamıyorum:**
 - Oyununuzun **Seçenekler / Kumanda Birimi / Oyun Pedi** veya **Joystick** menüsünden uygun konfigürasyonu seçin veya kumanda birimi seçeneklerini komple yeniden ayarlayın.
 - Daha fazla bilgi için lütfen oyununuzun kullanma kılavuzuna veya online yardıma başvurun.
- **Joystick'im çok hassas veya yeterince hassas değil:**
 - Joystick'iniz farklı eksenlerde birkaç hareket yaptığınızda kendini bağımsız olarak kalibre eder.
 - Oyununuzun **Seçenekler / Kumanda Birimi / Oyun Pedi** veya **Joystick** menüsünden joystick'iniz için hassasiyet ve ölü bölgeleri ayarlayın (bu seçenekler mevcutsa).



Bu çevre birimi yalnızca eğlence amaçlı oyun oynamak içindir ve her türlü profesyonel eğitim faaliyeti için kullanılması kesinlikle yasaktır.

TÜKETİCİ GARANTI BİLGİSİ

İşbu Thrustmaster ürünü, malzeme ve işçilik hatalarına karşı, müşterinin kusurlu ürünün ücretinin iade edilmesi veya değiştirilmesi talebinde bulunabileceği süreye karşılık gelen garanti süresince dünya çapında tescil edilmiş merkezi Place du Granier, B.P. 97143, 35571 Chantepie, Fransa'da bulunan Guillemot Corporation S.A. (bundan sonra "Guillemot" olarak ifade edilecektir) garantisi altındadır. Avrupa Birliği ülkelerinde bu süre, Thrustmaster ürününün tesliminden itibaren iki (2) seneye karşılık gelir. Diğer ülkelerde garanti süresi, Thrustmaster ürünü ile ilgili olarak, Thrustmaster ürününün satın alındığı tarihte müşterinin ikamet ettiği ülkede geçerli yasalara uygun şekilde, müşterinin kusurlu ürünün ücretinin iade edilmesi veya değiştirilmesi talebinde bulunabileceği süreye karşılık gelir (İlgili ülkede bu tür bir düzenleme mevcut değilse garanti süresi Thrustmaster ürününün satın alındığı asıl tarihten itibaren bir (1) yıl olacaktır).

Garanti süresi içinde üründe hata veya kusur tespit edilmesi durumunda derhal izlenecek yöntem ile ilgili size bilgi verecek olan Teknik Destek servisimize başvurun. Hata veya kusur onaylanırsa ürünün satın alındığı yere (ya da Teknik Destek servisi tarafından belirtilen yere) iade edilmesi gerekmektedir.

İşbu garanti kapsamında müşterinin kusurlu ürünü, Teknik Destek servisinin inisiyatifine bağlı olarak, değiştirilecek veya çalışır hale getirilecektir. Garanti süresince Thrustmaster ürününün onarım işlemine tabi tutulması durumunda, ürünün kullanım dışı olduğu en az yedi (7) günlük tüm süreler kalan garanti süresine eklenecektir (bu süre, ürünün onarılması için hazır bulundurulduğu tarih müdahale edilmesi için talepte bulunduğu tarihi takip ediyor ise müşterinin müdahale edilmesi için talepte bulunduğu tarihten veya bahse konu ürünün onarılması için hazır bulundurulduğu tarihten başlar). Yürürlükte olan yasaların izin verdiği durumlarda, Guillemot ve bağlılarının tüm sorumluluğu (dolaylı hasarlar da dahil olmak üzere) Thrustmaster ürününün çalışır hale getirilmesi veya değiştirilmesi ile sınırlıdır. Yürürlükte olan yasaların izin vermesi halinde Guillemot, ticarete elverişlilik veya belirli bir amaca uygunluk ile ilgili tüm garantileri reddeder.

İşbu garanti aşağıdaki durumlar için geçerli değildir: (1) Ürün modifiye edilmişse, açılmışsa, üzerinde değişiklik yapılmışsa, uygunsuz veya kötü kullanım, ihmal, kaza, normal aşınma ya da malzeme veya üretim hatası ile ilgili olmayan nedenlerden dolayı hasar görmüşse (ancak bununla sınırlı kalmamak üzere, Thrustmaster ürününü herhangi uygun bir elemanla birleştirmek, buna dahil olarak özellikle güç kaynakları, yeniden doldurulabilir piller, şarj cihazları veya bu ürün için Guillemot tarafından tedarik edilmemiş tüm diğer elemanlar); (2) ürün, evde kullanım dışında, profesyonel veya ticari maksatlı olanlar da dahil olmak üzere (örneğin oyun salonları, eğitim, yarışlar) başka maksatlarla kullanılmışsa; (3) Teknik Destek servisi tarafından sağlanan talimatlara uyulmamışsa; (4) yazılım için, işbu garanti geçerli değildir, söz konusu yazılım için sağlanan özel garanti hükümlerine tabidir; (5) sarf malzemeleri için (ürünün kullanım süresi içinde değiştirilecek elemanlar: örneğin; tek kullanımlık piller, kulaklık yastıkları); (6) aksesuarlar için (örneğin; kablolar, kılıflar, cepler, çantalar, bileklikler); (7) ürün açık artırma ile satılmışsa.

Bu garanti devrolunamaz.

Tüketim mallarının tüketicinin ülkesinde satışına ilişkin tüketicinin yasal hakları işbu garantiden etkilenmemektedir.

Ek garanti hükümleri

Garanti süresince, tüm Thrustmaster ürünlerini açmaya ve/veya onarmaya yetkili tek taraf Teknik Destek Servisi olduğundan prensip olarak Guillemot tarafından hiçbir yedek parça sağlanmayacaktır (Uygulanabilir olması durumunda yazılı talimatlarla ve müşteriye gerekli yedek parça(lar) sağlanarak Teknik Destek Servisinin müşteri tarafından yapılmasını

isteyebileceği tüm onarım prosedürleri hariç – örneğin onarım işleminin basit olmasından ve gizlilik içermemesinden dolayı). İnovasyon döngülerini dikkate almak ve bilgi birikimi ile ticari sırlarını korumak için Guillemot, prensip olarak garanti süresi dolmuş hiç bir Thrustmaster ürünü için onarım bilgisi veya yedek parça sağlamayacaktır.

Sorumluluk

Yürürlükte olan yasaların izin vermesi halinde, Guillemot Corporation S.A. (bundan sonra "Guillemot" olarak ifade edilecektir) ve bağlıları aşağıdakilerin biri veya daha fazlasından kaynaklanan her türlü hasara karşı tüm sorumluluğu reddeder: (1) Ürün modifiye edilmişse, açılmışsa, üzerinde değişiklik yapılmışsa; (2) montaj talimatlarına uyulmamışsa; (3) uygunsuz veya kötü kullanım, ihmâl, kaza (örneğin bir darbe); (4) normal aşınma; (5) ürünün, evde kullanım dışında, profesyonel veya ticari maksatlı olanlar da dahil olmak üzere (örneğin oyun salonları, eğitim, yarışlar) başka maksatlarla kullanılması. Yürürlükte olan yasaların izin vermesi halinde, Guillemot ve bağlıları ürünle ilgili malzeme veya üretim hatası ile ilgili olmayan her türlü hasara karşı tüm sorumluluğu reddeder (ancak bununla sınırlı kalmamak üzere, herhangi bir yazılımdan veya Thrustmaster ürününün herhangi bir uygun olmayan elemanla birleştirilmesinden doğrudan veya dolaylı olarak kaynaklanan tüm hasarlar, buna dahil olarak özellikle güç kaynakları, yeniden doldurulabilir piller, şarj cihazları veya bu ürün için Guillemot tarafından tedarik edilmemiş tüm diğer elemanlar).

THRUSTMASTER®

TEKNİK DESTEK

<https://support.thrustmaster.com>



TELİF HAKKI

© 2020 Guillemot Corporation S.A. Tüm hakları saklıdır. Thrustmaster® Guillemot Corporation S.A.'nın tescilli markasıdır.

AIRBUS, logosu ve ürün ve hizmet markaları Airbus'ın tescilli ticari markalarıdır. Tüm hakları saklıdır.

© Airbus 2020. Tüm hakları saklıdır. Resmi Airbus lisanslı.

Diğer tüm ticari markalar kendi sahiplerinin. Resimler bağlayıcı değildir. İçerik, tasarım ve özellikler önceden haber verilmeksizin değiştirilebilir ve bir ülkeden başka bir ülkeye değişiklik gösterebilir. Çin'de yapılmıştır.

ÇEVRE KORUMA ÖNERİLERİ



Avrupa Birliği'nde: Cihazın kullanım ömrü sona erdiğinde, standart ev atıkları ile atılmamalı, geri dönüşüm için Atık Elektrikli ve Elektronik Cihazların toplandığı bir yere bırakılmalıdır.

Bu, ürünün, kullanım kılavuzunun veya paketin üzerinde bulunan sembol ile onaylanmıştır.

Özelliklerine bağlı olarak malzemeler geri dönüştürülebilir. Atık Elektrik ve Elektronik Cihazların geri dönüşümü veya diğer işleme yöntemleri sayesinde çevrenin korunmasına yönelik önemli bir katkıda bulunabilirsiniz. Size en yakın toplama merkezleri hakkında bilgi almak için lütfen yerel yetkililerle iletişime geçin.

Diğer ülkeler için: Lütfen elektrikli ve elektronik cihazların geri dönüşümü için yerel yasalara uyunuz.

AEEE Yönetmeliğine Uygundur.

Bu belgeyi saklayın. Renkler ve süslemeler değişiklik gösterebilir.
Plastik tutturucular ve bantlar, kullanmadan önce üründen çıkarılmalıdır.

www.thrustmaster.com

**Sadece AB ve Türkiye için geçerlidir*



TCA SIDESTICK AIRBUS EDITION

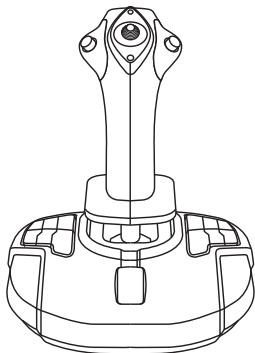
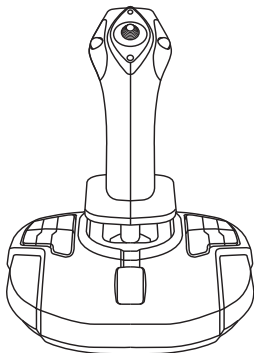
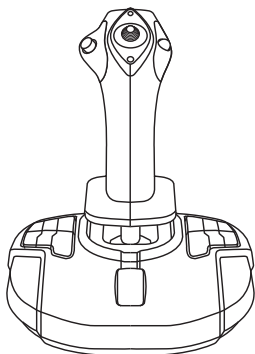
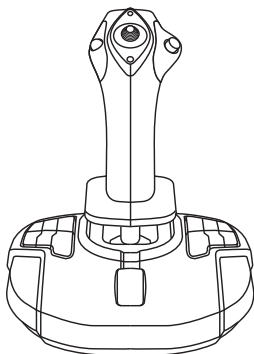
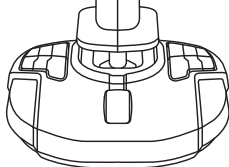
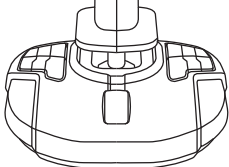
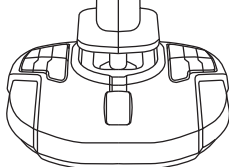
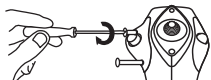
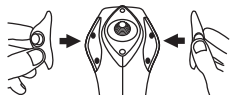
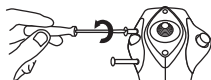


5

A

B

C



TCA SIDESTICK AIRBUS EDITION

Zgodność: PC
Instrukcja obsługi

ELEMENTY ①

1. Spust cyfrowy
2. Wielokierunkowy przełącznik grzybkowy widoku
3. Moduł prawego przycisku
4. Moduł lewego przycisku
5. Obrotowy uchwyt drążka z podpórką dłoni do sterowania sterem kierunku + układ blokujący
6. Przepustnica (z 1 przyciskiem wirtualnym)
7. 15 przycisków czynności
8. Złącze USB PC
9. Wybierak przycisków dla graczy prawo- lub leworęcznych

INFORMACJE NA TEMAT JOYSTICKA

WYJĄTKOWA TECHNOLOGIA ZAPEWNIAJĄCA PRECYZJĘ:
H.E.A.R.T: Halleffect AccuRate Technology

Dzięki wyjątkowym rozwiązaniom technicznym joystick TCA Sidestick Airbus Edition charakteryzuje się precyzją niespotykaną obecnie w innych joystickach do gier:

- Drążek zawiera trójwymiarowe czujniki magnetyczne (z efektem Halla) o rozdzielczości umożliwiającej odczyt ponad 268 milionów wartości na osiach X i Y (16 384 x 16 384 wartości), podczas gdy konkurencyjne rozwiązania (nawet klasy high-end) udostępniają rozdzielczość w okolicach zaledwie 1 miliona wartości (1024 x 1024).
- Magnes: brak tarcia zapewniający najwyższą precyzję i zaskakująco szybką reakcję, która nie zmienia się z upływem czasu.
- Sprężyna śrubowa w drążku (2,8 mm): pewna, liniowa i superpłynna zmiana naprężenia.

PRZEPUSTNICA

Joystick zawiera przepustnicę (6), która umożliwia łatwe sterowanie siłą ciągu silnika samolotu.

Przycisk wirtualny (nr 17, diagram 3), dostępny przez pierwsze 20 proc. zakresu ruchu przepustnicy, umożliwia np. aktywację odwracaczy ciągu.

FUNKCJA STERU KIERUNKU

Joystick zawiera funkcję steru kierunku (**5**): w samolocie pilot manipuluje sterem kierunku, aby obracać samolot wokół osi pionowej (powodując jego skręcanie w lewo lub w prawo).

Aby w joysticku użyć funkcji steru kierunku, należy obrócić drążek (czyli skręcić nim) w lewo lub w prawo.

BLOKOWANIE/ODBLOKOWYWANIE FUNKCJI STERU KIERUNKU **2**

Funkcję steru kierunku można wyłączyć przyciskiem blokady umieszczonym za uchwytem joysticka.

Aby zablokować oś steru kierunku, wciśnij ten przycisk.

Aby odblokować oś steru kierunku, przywróć przycisk do górnego (domyślnego) położenia.

WIELOKIERUNKOWY PRZEŁĄCZNIK GRZYBKOWY WIDOKU

Joystick zawiera przełącznik grzybkowy widoku (**2**), który zgodnie ze swoją nazwą umożliwia szybkie wzrokowe sprawdzenie, co dzieje się wokół samolotu (w grach udostępniających taką funkcję). Aby użyć tej funkcji, wejdź do menu konfiguracji gry i przypisz poszczególne widoki (tylny, lewy, prawy, a także widoki zewnętrzne) odpowiednim kierunkom przełącznika widoku.

W razie potrzeby przełącznik grzybkowy widoku można zarezerwować do innych celów (np. do strzelania).

UKŁAD OBURĘCZNY

Ważną zaletą joysticka TCA Sidestick Airbus Edition jest to, że stanowi on urządzenie w pełni oburęczne: wszyscy gracze, zarówno prawo-, jak i leworęczni, mogą łatwo przystosować go do swoich potrzeb.

W tym celu można dostosować trzy elementy: konfigurację przycisków na podstawie, moduł prawego przycisku i moduł lewego przycisku.

KONFIGURACJA PRZYCISKÓW W TRYBIE DLA PRAWORĘCZNYCH **3**

Aby przestawić 12 przycisków znajdujących się na podstawie w tryb dla osób PRAWORĘCZNYCH (tryb drugiego pilota / pierwszego oficera), przed podłączeniem joysticka ustaw umieszczony pod jego podstawą wybierak (**9**) w położeniu **RIGHT HANDED**. Wówczas urządzenie zostanie rozpoznane jako T.A320 Copilot.

KONFIGURACJA PRZYCISKÓW W TRYBIE DLA LEWORĘCZNYCH **4**

Aby przestawić 12 przycisków znajdujących się na podstawie w tryb dla osób LEWORĘCZNYCH (tryb kapitana), przed podłączeniem joysticka ustaw umieszczony pod jego podstawą wybierak (**9**) w położeniu **LEFT HANDED**. Wówczas urządzenie zostanie rozpoznane jako T.A320 Pilot.

ZMIANA MODUŁÓW **5**

Domyślnie joystick jest skonfigurowany w trybie kapitana.

Aby zmienić konfigurację na jedną z czterech dostępnych opcji:

- A. Niewielkim śrubokrętem ostrożnie wykręć dwie śruby z modułu przycisku znajdującego się po lewej stronie głowicy joysticka.
- B. Zmień moduły zgodnie z preferowaną konfiguracją.
- C. Włóż śruby z powrotem i dobrze je dokręć.

PC

INSTALACJA NA KOMPUTERZE PC

1. Podłącz złącze USB (**8**) do jednego z portów USB w komputerze.
System Windows 8 lub 10 automatycznie wykryje nowe urządzenie.
 2. Sterowniki zostaną zainstalowane automatycznie.
Wykonaj instrukcje wyświetlane na ekranie, aby dokończyć instalację.
 3. Kliknij **Start/Ustawienia/Panel sterowania** i kliknij dwukrotnie **Kontrolery gier**.
*W oknie dialogowym **Kontrolery gier** pojawi się nazwa joysticka ze stanem **OK**.*
 4. W oknie **Panel sterowania** kliknij **Właściwości**, aby przetestować i wyświetlić wszystkie funkcje joysticka.
- Teraz możesz zacząć grać!**

WAŻNA UWAGA

Podczas podłączania joysticka zawsze ustawiaj drążek i ster kierunku w położeniu środkowym i nie poruszaj nimi (aby uniknąć problemów z kalibracją).

ROZWIĄZYWANIE PROBLEMÓW I OSTRZEŻENIA

- **Joystick nie działa prawidłowo lub wydaje się niewłaściwie skalibrowany:**
 - Wyłącz komputer i odłącz joystick, a następnie uruchom ponownie komputer, podłącz joystick i uruchom ponownie grę.
 - Podczas podłączania joysticka zawsze ustawiaj drążek i ster kierunku w położeniu środkowym i nie poruszaj nimi (aby uniknąć problemów z kalibracją).
- **Nie mogą skonfigurować joysticka:**
 - W dostępnym w grze menu **Opcje / Kontroler / Gamepad** lub **Joystick** wybierz odpowiednią konfigurację lub całkowicie przekonfiguruj opcje kontrolera.
 - Więcej informacji znajdziesz w instrukcji obsługi gry lub jej pomocy online.
- **Joystick jest zbyt czuły lub niewystarczająco czuły:**
 - Joystick kalibruje się automatycznie w sposób niezależny, gdy wykonasz nim kilka ruchów wzdłuż poszczególnych osi.
 - W dostępnym w grze menu **Opcje / Kontroler / Gamepad** lub **Joystick** ustaw odpowiednią czułość i martwe strefy joysticka (jeśli tego rodzaju opcje są dostępne).



To urządzenie jest przeznaczone wyłącznie do grania w celach rozrywkowych i jego używanie w jakichkolwiek szkoleniach o charakterze zawodowym jest surowo zabronione.

INFORMACJE DOTYCZĄCE GWARANCJI DLA KLIENTA

Firma Guillemot Corporation S.A. z siedzibą pod adresem Place du Granier, B.P. 97143, 35571 Chantepie, Francja („Guillemot”) udziela klientowi obowiązującej na całym świecie gwarancji, że niniejszy produkt Thrustmaster będzie wolny od wad materiałowych i produkcyjnych przez okres gwarancji równy limitowi czasu, w którym klient może występować z roszczeniami z tytułu wad niniejszego produktu. W krajach Unii Europejskiej jest to okres dwóch (2) lat od dostarczenia produktu Thrustmaster. W innych krajach okres gwarancji jest równy limitowi czasu, w którym klient może występować z roszczeniami z tytułu wad produktu Thrustmaster zgodnie z przepisami obowiązującymi w kraju, w którym klient mieszkał w dniu zakupu produktu Thrustmaster. (Jeśli przepisy danego kraju nie przewidują występowania z takimi roszczeniami, okres gwarancji będzie wynosił jeden (1) rok od pierwotnej daty zakupu produktu Thrustmaster).

Jeśli w okresie gwarancji wystąpią objawy mogące świadczyć o wadzie produktu, należy niezwłocznie skontaktować się z działem pomocy technicznej, który wskaże dalszy sposób postępowania. W razie potwierdzenia wady produkt należy zwrócić w punkcie zakupu (lub innym miejscu wskazanym przez dział pomocy technicznej).

W ramach niniejszej gwarancji wadliwy produkt zostanie wymieniony lub przywrócony do stanu sprawności użytkowej, zgodnie z decyzją działu pomocy technicznej. Jeśli w okresie gwarancji produkt Thrustmaster zostanie poddany czynnościom mającym na celu przywrócenie go do stanu użytkowego, dowolny okres co najmniej siedmiu (7) dni, podczas których produkt nie jest użytkowany, zostanie dodany do pozostałego okresu gwarancji (okres ten liczy się od dnia, w którym klient poprosi o interwencję, lub od dnia, w którym dany produkt zostanie udostępniony celem przywrócenia do stanu użytkowego, jeśli data udostępnienia celem przywrócenia do stanu użytkowego następuje po dacie prośby o interwencję). Jeśli zezwala na to obowiązujące prawo, całkowita odpowiedzialność firmy Guillemot i jej podmiotów zależnych (łącznie z odpowiedzialnością za szkody wtórne) ogranicza się do przywrócenia do stanu użytkowego lub wymiany produktu Thrustmaster. Jeśli zezwala na to obowiązujące prawo, firma Guillemot wyłącza wszelkie gwarancje pokupności i przydatności do określonego celu.

Niniejsza gwarancja nie obowiązuje: (1) w przypadku, gdy produkt został zmodyfikowany, otwarty, zmieniony albo uszkodzony na skutek nieodpowiedniego lub nadmiernego użytkowania, niedbałości, wypadku, normalnego zużycia lub z innego powodu niezwiązanego z wadą materiałową ani produkcyjną (w tym między innymi z powodu połączenia produktu Thrustmaster z nieodpowiednim elementem, w tym w szczególności z zasilaczem, akumulatorem, ładowarką lub jakimkolwiek innym elementem niedostarczonym przez firmę Guillemot dla tego produktu); (2) w przypadku używania produktu w sposób inny niż użytek domowy, w tym do celów zawodowych lub komercyjnych (na przykład w salonach gier albo do prowadzenia szkoleń lub zawodów); (3) w razie nieprzestrzegania instrukcji podanych przez dział pomocy technicznej; (4) w odniesieniu do oprogramowania, jako że oprogramowanie to jest objęte odrębną szczegółową gwarancją; (5) w odniesieniu do materiałów eksploatacyjnych (elementów wymienianych w czasie eksploatacji produktu, na przykład baterii jednorazowych, muszli/nakładek na uszy do zestawów słuchawkowych lub słuchawek); (6) w odniesieniu do akcesoriów (na przykład kabli, pokrowców, etui, torebek, pasków na rękę); (7) w przypadku sprzedania produktu na aukcji publicznej.

Niniejsza gwarancja nie podlega przeniesieniu.

Niniejsza gwarancja nie wpływa na prawa klienta wynikające z przepisów dotyczących sprzedaży dóbr konsumenckich w kraju klienta.

Dodatkowe postanowienia gwarancyjne

W okresie gwarancji firma Guillemot zasadniczo nie udostępnia jakichkolwiek części zamiennych, ponieważ jedynym podmiotem upoważnionym do otwarcia jakiegokolwiek produktu Thrustmaster i/lub przywrócenia go do stanu użytkowego jest dział pomocy technicznej (oprócz ewentualnych procedur przywracania produktu do stanu użytkowego, o wykonanie których dział pomocy technicznej może poprosić klienta przez przekazanie pisemnych instrukcji — np. ze względu na prostotę i jawność procesu przywracania do stanu użytkowego — oraz, w razie potrzeby, przez udostępnienie klientowi wymaganych części zamiennych).

Ze względu na realizowane cykle innowacji oraz konieczność zapewnienia ochrony swojej specjalistycznej wiedzy i tajemnic handlowych firma Guillemot zasadniczo nie udostępnia powiadomień dotyczących przywracania do stanu użytkowego ani części zamiennych w przypadku produktów Thrustmaster, których okres gwarancji upłynął.

Odpowiedzialność

Jeśli zezwala na to obowiązujące prawo, firma Guillemot Corporation S.A. („Guillemot”) i jej podmioty zależne nie ponoszą żadnej odpowiedzialności za szkody spowodowane przez co najmniej jeden z następujących czynników: (1) modyfikację lub otwarcie produktu bądź wprowadzenie w nim zmian; (2) nieprzestrzeganie instrukcji montażu; (3) nieodpowiednie lub nadmierne użytkowanie, niedbałość, wypadek (na przykład uderzenie); (4) normalne zużycie; (5) używanie produktu w sposób inny niż użytek domowy, w tym do celów zawodowych lub komercyjnych (na przykład w salonach gier albo do prowadzenia szkoleń lub zawodów). Jeśli zezwala na to obowiązujące prawo, firma Guillemot i jej podmioty zależne nie ponoszą żadnej odpowiedzialności za szkody niezwiązane z wadą materiałową lub produkcyjną produktu (w tym między innymi za szkody spowodowane bezpośrednio lub pośrednio przez jakiekolwiek oprogramowanie lub na skutek połączenia produktu Thrustmaster z nieodpowiednim elementem, w tym w szczególności z zasilaczem, akumulatorem, ładowarką lub jakimkolwiek innym elementem niedostarczonym przez firmę Guillemot dla tego produktu).

THRUSTMASTER®

POMOC TECHNICZNA

<https://support.thrustmaster.com>



PRAWA AUTORSKIE

© 2020 Guillemot Corporation S.A. Wszelkie prawa zastrzeżone. Thrustmaster® jest zastrzeżonym znakiem towarowym firmy Guillemot Corporation S.A.

AIRBUS, powiązane logo oraz znaki produktów i usług są zastrzeżonymi znakami towarowymi firmy Airbus. Wszelkie prawa zastrzeżone.

© Airbus 2020. Wszelkie prawa zastrzeżone. Produkt na oficjalnej licencji firmy Airbus.

Wszystkie inne znaki towarowe stanowią własność odpowiednich podmiotów. Ilustracje nie są wiążące prawnie. Treść, wzory i dane techniczne przedstawione w instrukcji mogą ulec zmianie bez powiadomienia i mogą różnić się w zależności od kraju. Wyprodukowano w Chinach.

ZALECENIE DOTYCZĄCE OCHRONY ŚRODOWISKA



* Na terenie Unii Europejskiej: gdy okres przydatności produktu do eksploatacji dobiegnie końca, produktu nie należy pozbywać się wraz ze zwykłymi odpadami z gospodarstwa domowego, ale oddać do recyklingu w punkcie zbiórki zużytego sprzętu elektrycznego i elektronicznego. Potwierdza to symbol znajdujący się na produkcie, w instrukcji obsługi lub na opakowaniu.

Zależnie od swoich właściwości materiały zawarte w produkcie mogą nadawać się do recyklingu. Dzięki recyklingowi i innym formom utylizacji zużytych urządzeń elektrycznych i elektronicznych klient może w znacznym stopniu przyczynić się do ochrony środowiska. Aby uzyskać informacje o najbliższych punktach zbiórki odpadów, należy skontaktować z miejscowymi władzami.

We wszystkich innych krajach: należy przestrzegać miejscowych przepisów dotyczących recyklingu sprzętu elektrycznego i elektronicznego.

Niniejsze informacje należy zachować. Kolorystyka i elementy ozdobne mogą różnić się od przedstawionych.

Przed korzystaniem z produktu należy zdjąć z niego plastikowe elementy mocujące oraz naklejki.

www.thrustmaster.com

**Dotyczy wyłącznie UE i Turcji*

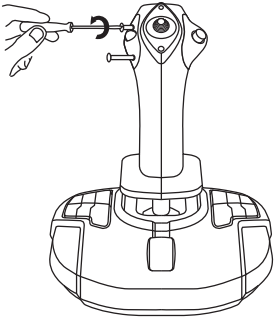


TCA SIDESTICK AIRBUS EDITION

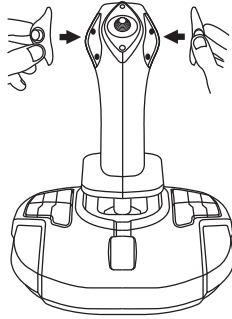


5

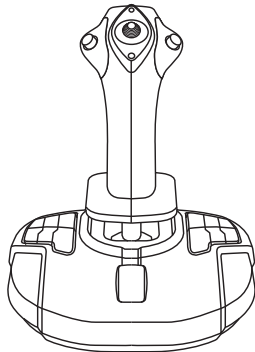
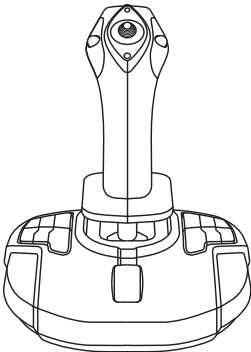
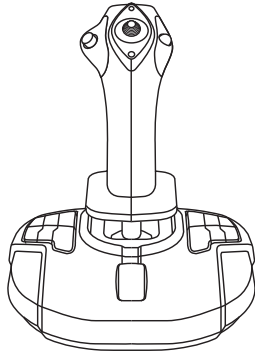
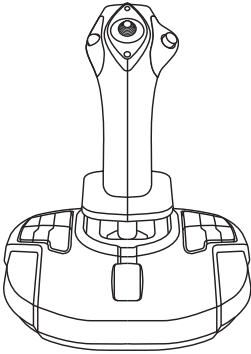
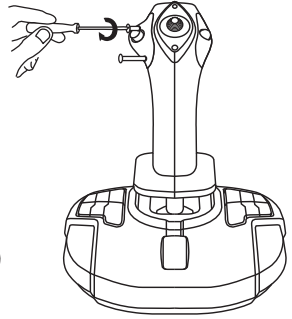
A



B



C



TCA SIDESTICK AIRBUS EDITION

互換性: PC
ユーザーズマニュアル

技術仕様 ①

1. デジタルトリガー
2. 多方向“視点”ハットスイッチ
3. 右ボタンモジュール
4. 左ボタンモジュール
5. ハンドレスト+ロックシステムを備えた回転ハンドルによるラダー制御
6. スロットル (仮想ボタン 1 個搭載)
7. アクションボタン x 15 個
8. PC USB コネクター
9. 右利きまたは左利きボタンセレクトス イッチ

お使いのジョイスティックについてもっとよく知る

超高精度を可能にする独自のテクノロジー:
H.E.A.R.T HallEffect AccuRate Technology

TCA Sidestick Airbus Edition ジョイスティックは、ゲームジョイスティックの世界で類を見ない、圧倒的な精度を提供する以下のテクノロジーを備えています:

- スティック上に、XY 軸に 2 億 6,800 万値 (16,384 x 16,384 値) 以上の解像度を誇る 3D (Hall 効果) 磁気センサーを搭載しています。これは、競合他社のハイエンド製品の一般的な解像度である 100 万値 (1,024 x 1,024 値) を圧倒的に凌駕しています。
- 磁石: 摩擦がないため、高い精度とレスポンスが永久的に持続します。
- スティック上にコイルスプリング (2.8 mm) を配置: 安定した超なめらかなテンション

スロットル

ジョイスティックにはスロットル(6)があり、これを使ってエンジン推力を簡単に制御できます。

仮想ボタン (図 3、17 番) は、スラストリバーサーを作動させるために、スロットル可動域の最初の 20% で有効になります。

ラダー機能

ジョイスティックはラダー機能を備えています (5)。パイロットはラダーを操作することで機体を垂直軸で旋回 (つまり機体が右または左に曲がる) できます。

このラダー機能は、スティックを左右に回転 (ツイスト) することでジョイスティックで使用できます。

ラダー機能のロック/ロック解除 ②

ラダー機能は、ジョイスティックハンドルの背面にあるロックボタンで無効にできます。このボタンを押して、ラダーの軸をロックします。

ラダー軸のロックを解除するには、このボタンを上ポジション (デフォルト) に戻します。

多方向“視点”ハットスイッチ

ジョイスティックには、その名前の通り、機体の周りで起こっていることを様々な視点ですばやく確認できる「視点 (POV) ハットスイッチ (2)」 (この機能が有効になっているゲームのみ) が搭載されています。この機能を使用するには、ゲームのセットアップメニューに移動し、各視点 (後方、左右、および外部ビュー) を「視点」ハットスイッチの各方向にプログラミングします。

必要に応じて、「視点」ハットスイッチを他のアクション (発射など) 用に予約することもできます。

左右利き手に対応したシステム

TCA Sidestick Airbus Edition ジョイスティックには、両手利きに完全対応という特長があり、右利き・左利きを問わず、すべてのプレーヤーに完全に適応できます。

これを行う際は、ベース上のボタン設定、右ボタンモジュール、および左ボタンモジュールの 3 つの要素を調整できます。

右手モードでのボタン設定 ③

ベースに配置されている 12 個のボタンの位置を右手 (または副操縦士/コパイロット) モードに設定するには、ジョイスティックを接続する前に、ジョイスティックベースの底面にあるセレクトスイッチ (9) を **RIGHT HANDED** に設定します。その結果、製品は T.A320 Copilot として認識されるようになります。

左手モードでのボタン設定 ④

ベースに配置されている 12 個のボタンの位置を左手 (または副操縦士/コパイロット) モードに設定するには、ジョイスティックを接続する前に、ジョイスティックベースの底面にあるセレクトスイッチ (9) を **LEFT HANDED** に設定します。その結果、製品は T.A320 Pilot として認識されるようになります。

モジュールの変更 ⑤

デフォルトでは、ジョイスティックはパイロットモードに設定されています。
使用可能な 4 種類のセッティング間で設定を変更するには:

- A. 小さなドライバーを使用して、ジョイスティックのヘッド部分の左側にあるボタンモジュール用ネジ 2 本を慎重に外します。
- B. 任意のセッティングに合わせてモジュールを変更します。
- C. ネジを元に戻し、完全に締め直します。

PC

PC に取り付ける

1. USB コネクタ (B) を、コンピュータのいずれかの USB ポートに接続します。
Windows 8 または 10 が新しい機器を自動的に検出します。
2. ドライバが自動的にインストールされます。
画面の指示に従って、インストールを完了します。
3. [スタート]/[設定]/[コントロールパネル] をクリックし、次に [ゲームコントローラ] をダブルクリックします。
[ゲーム コントローラ] ダイアログに、ジョイスティックの名前と OK のステータスが表示されます。
4. [コントロール パネル] で [プロパティ] をクリックし、ジョイスティックのすべての機能をテスト・表示します。

これでプレイの準備ができました！

重要な注意事項

ジョイスティックを接続するときは、常にスティックとラダーを中央位置にセットし、動かさないようにしてください (キャリブレーションの問題を避けるため)。

トラブルシューティング & 警告

- ジョイスティックが正しく動作しない、または正しく調整されていない
 - コンピュータの電源をオフにし、ジョイスティックを取り外します。次に、コンピュータの電源を再びオンにし、ジョイスティックを再接続してからゲームを再起動します。
 - ジョイスティックを接続するときは、常にスティックとラダーを中央位置にセットし、動かせないようにしてください（キャリブレーションの問題を避けるため）。
- ジョイスティックを設定できない。
 - ゲームのオプション/コントローラー/ゲームパッドまたは ジョイスティック メニューで、適切な設定を選択するか、コントローラーのオプションを最初から設定し直します。
 - ゲームのユーザーマニュアルおよびオンラインヘルプユーティリティで、さらに詳しい情報を入手できます。
- ジョイスティックの感度が強すぎる、もしくは弱すぎる。
 - ジョイスティックは、各軸に沿って操作を行うと、それぞれが独立して自動的にキャリブレーションを実行します。
 - ゲームのオプション/コントローラー/ゲームパッド または ジョイスティック メニューで、コントローラーの感度およびデッドゾーンを調整します（これらのオプションが利用可能な場合）。



この周辺機器はエンターテインメントを目的としたゲーミング用途向けであり、プロフェッショナルによるトレーニング活動などに使用することは固く禁止されています。

著作権

©2020 Guillemot Corporation S.A. All rights reserved. Thrustmaster® は、Guillemot Corporation S.A. の登録商標です。AIRBUS、ロゴ、製品、およびサービスマークは Airbus の登録商標です。All rights reserved.

© Airbus 2020. All rights reserved. Airbus 公式ライセンス取得済み。

All rights reserved. その他、本書に記載の登録商標およびブランド名は、それぞれの所有者に帰属します。本書に含まれるイラストには法的拘束力はありません。本書に含まれる内容、設計および仕様は、事前の通告なしに変更される場合があります、また、各国で異なる場合があります。

環境保護推奨

国内の電気電子機器のリサイクル法を遵守してください。

リサイクルのための廃機器の収集地点や廃棄方法についての詳細は、お住まいの地域の自治体までお問い合わせください。

この情報は大切に保管してください。色や形状は実際の製品と異なる場合があります。

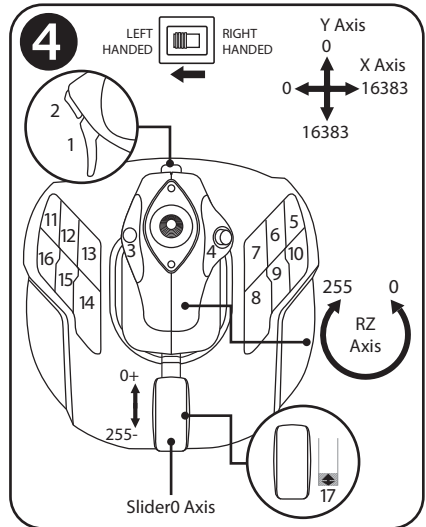
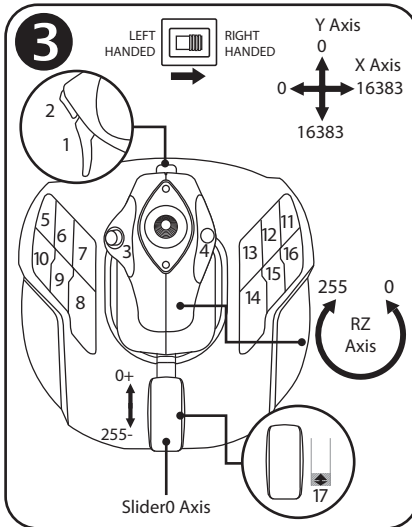
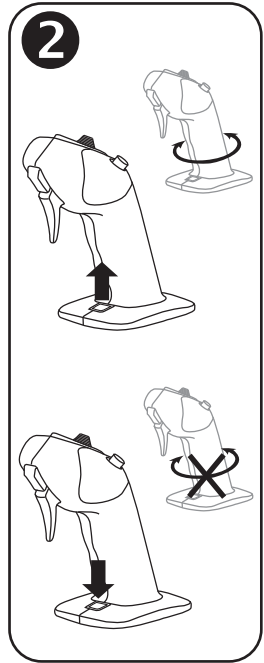
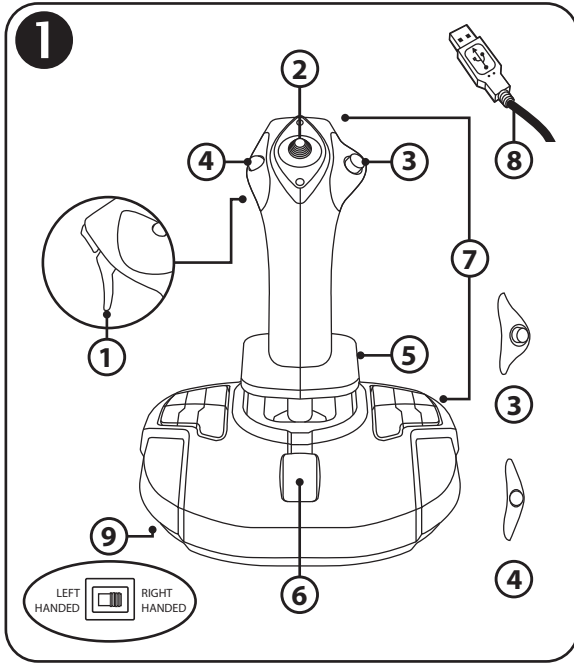
本製品をご使用になる前に、プラスチック留め具や粘着テープなどはすべて取り除いてください。

www.thrustmaster.com

Made in China.

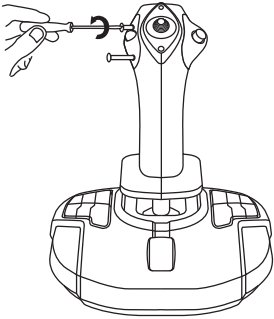


TCA SIDESTICK AIRBUS EDITION

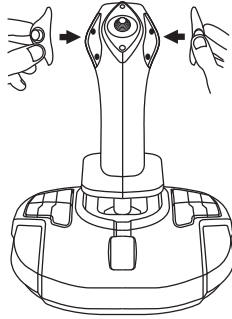


5

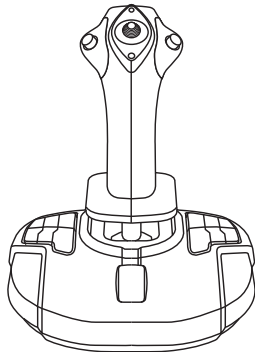
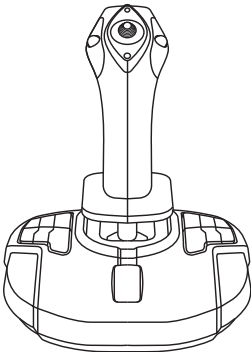
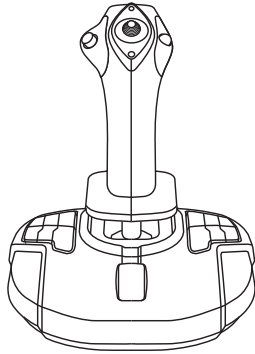
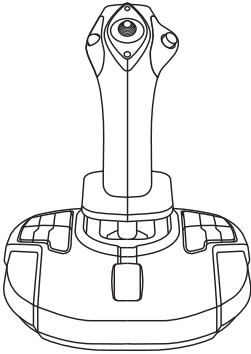
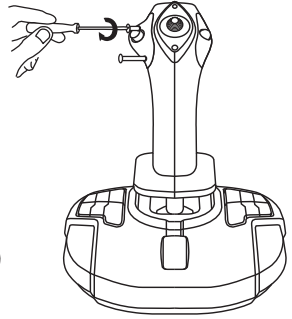
A



B



C



TCA SIDESTICK AIRBUS EDITION

图马思特 TCA 空客版民航摇杆

兼容:PC
用户手册

技术特性 ①

1. 数字扳机
2. 多向“苦力帽”开关
3. 右按钮模块
4. 左按钮模块
5. 通过旋转手柄操纵方向舵，带有掌托和锁定系统
6. 节流阀（带有 1 个虚拟按钮）
7. 15 个操作按钮
8. PC USB 接口
9. 右利手或左利手按钮选择器开关

了解您的摇杆

独创高精度技术：

H.E.A.R.T.：HallEffect AccuRate 技术

TCA Sidestick Airbus Edition 摇杆具有很高的精度，这得归功于其采用了众多先进技术，包括：

- 在操纵杆上安装 3D（Hall 效应）磁性传感器，X 轴和 Y 轴的分辨率值超过 2.68 亿（16384 x 16384 个值）。
- 磁力技术：无摩擦，从而带来超乎寻常的精准体验和难以置信的响应能力。
- 操纵杆上装有发条（2.8 毫米）：实现稳固、超平滑的线性张力。

节流阀

本摇杆装有一个节流阀 (6)，方便您轻松控制飞机的发动机推力。

例如，在节流阀行程的前 20% 区段启用虚拟按钮（图 3 中编号 17），可激活反推力装置。

方向舵功能

本摇杆具有方向舵功能 (5)，类似于飞机上飞行员通过操纵方向舵使飞机围绕其垂直轴旋转（让飞机可以左右旋转）。

在本摇杆上，可以通过向左或向右旋转操纵杆来实现方向舵功能。

锁定/解锁方向舵功能 ②

可以使用摇杆手柄背部的锁定按钮来禁用方向舵功能。

按下此按钮可锁定方向舵的轴。

将此按钮推回上部（即默认）位置，即可解锁方向舵轴。

多向“苦力帽”开关

本摇杆配有苦力帽开关 (2)，也称为“视角帽”开关，顾名思义，通过该开关，您可以（在支持该功能的游戏中）即时查看飞机周围的情况。若要使用此功能，请进入游戏的设置菜单，将各个视图（后视图、左视图、右视图及外部视图）设置到苦力帽开关的相应方向上。

如果您愿意，也可以将“苦力帽”开关设为其他用途（开火等）。

左右手通用的系统

TCA Sidestick Airbus Edition 摇杆完美支持左右手，因而适合所有玩家使用，无论他们惯用右手还是左手。

为此，可以调整以下三项：底座上的按钮配置、右按钮模块和左按钮模块。

右利手模式的按钮配置 ③

若要将底座上的 12 个按钮设为右利手（或副驾驶员/大副）模式，请在连接摇杆之前，先将位于摇杆底座下方的选择器开关 (9) 设为 **RIGHT HANDED**。本产品将被识别为 T.A320 Copilot。

左利手模式的按钮配置 ④

若要将底座上的 12 个按钮设为左利手（或飞行员）模式，请在连接摇杆之前，先将位于摇杆底座下方的选择器开关 (9) 设为 **LEFT HANDED**。本产品将被识别为 T.A320 Pilot。

更换模块 ⑤

默认情况下，本摇杆被配置为飞行员模式。

要在四种不同的选项之间切换配置，请：

- A. 使用一把小螺丝刀，小心拧松摇杆头左侧按钮模块上的两颗螺丝。
- B. 根据首选的配置更换模块。
- C. 将螺丝装回并完全拧紧。

PC

安装到 PC 上

1. 将 USB 接头 (8) 连接到计算机 USB 端口上。
Windows 8 或 10 将自动检测新设备。
2. 系统会自动安装驱动程序。
按照屏幕上的说明完成安装。
3. 点击**开始/设置/控制面板**，然后双击**游戏控制器**。
游戏控制器对话框显示摇杆的名称，状态显示为 OK。
4. 在**控制面板**中，点击**属性**可测试和查看摇杆的所有功能。
现在即可开始玩游戏了！

重要事项

连接摇杆时，始终将操纵杆和方向舵置于各自的中心位置，避免移动它们（以防出现任何校准问题）。

故障检修和警告

- **我的摇杆运行不正常，或看上去校准不当：**
 - 关闭计算机并断开与摇杆的连接；然后重新开机、重新连接摇杆，并重启游戏。
 - 连接摇杆时：始终将操纵杆和方向舵置于其中心位置，并避免移动它们（以防出现任何校准问题）。
- **我无法配置我的摇杆：**
 - 在游戏的**选项/控制器/游戏手柄**或**摇杆**菜单中，选择适当的配置，或重新配置控制器选项。
 - 有关详细信息，请参阅游戏的用户手册或联机帮助实用程序。
- **我的摇杆太灵敏或不够灵敏：**
 - 当您沿不同的轴移动几次摇杆后，摇杆将自行独立校准。
 - 在游戏的**选项/控制器/游戏手柄**或**摇杆**菜单中：调整摇杆的灵敏度和盲区（如果这些选项可用）。



此外设仅供娱乐游戏使用，严禁用于任何职业培训练习。

版权声明

© 2020 Guillemot Corporation S.A. 保留所有权利。Thrustmaster®（图马思特）是 Guillemot Corporation S.A.（基利摩股份有限公司）的注册商标。Windows® 是 Microsoft Corporation 在美国和/或其他国家/地区的注册商标。

AIRBUS 及其徽标和产品及服务标志是 Airbus 的注册商标。保留所有权利。

© Airbus 2020. 保留所有权利。获得 Airbus 官方授权。

特此确认，所有其他商标和品牌名称均为其各自所有者的资产。插图不具约束力。内容、设计和规格可能因国家/地区而异，并可能随时出现更改，恕不另行通知。中国制造。

环保建议

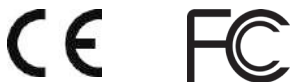
请遵守当地电气电子设备的回收法律。

请保留此信息。颜色和装饰风格可能会有所不同。

在使用本产品之前，应先取下塑料紧固件并撕掉胶带。

本产品符合有关 14 岁及以上儿童适用产品的所有标准。本产品不适合未满 14 岁的儿童使用。

www.thrustmaster.com



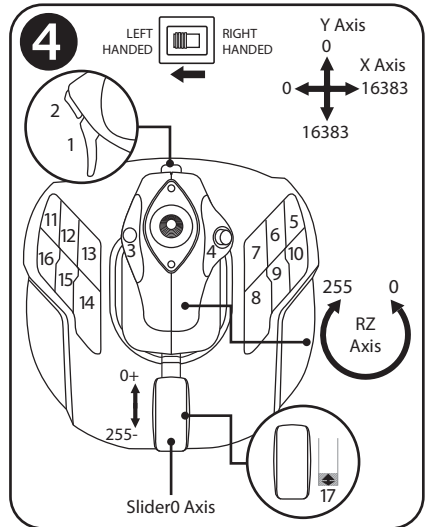
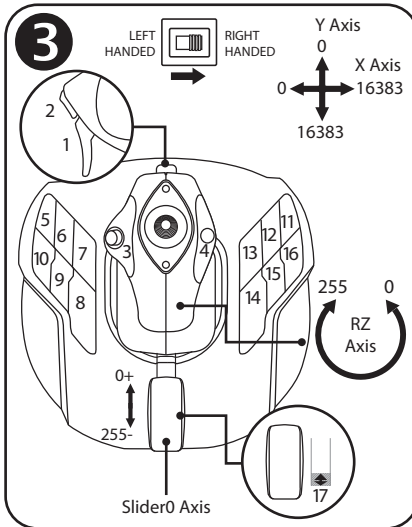
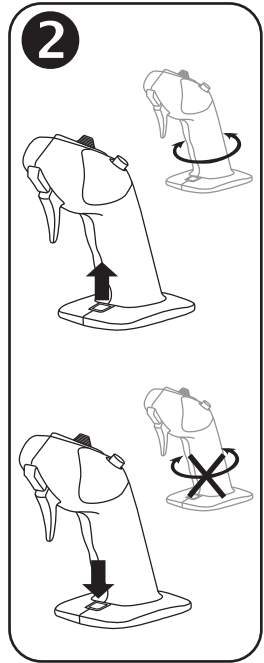
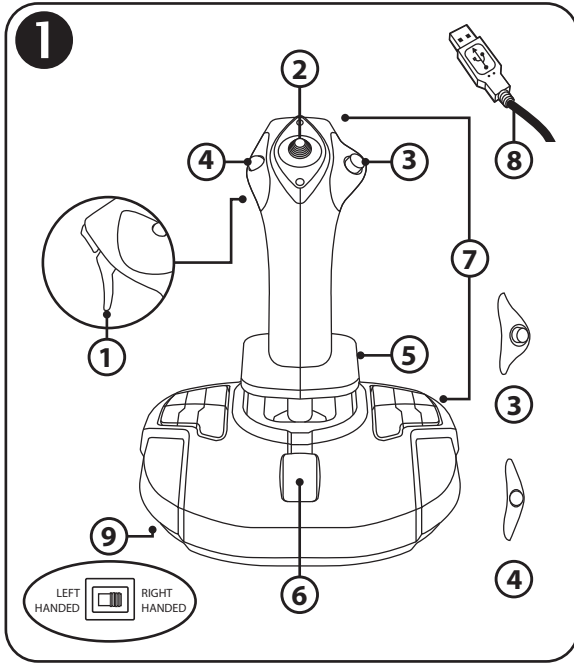
THRUSTMASTER®

技术支持

<http://support.thrustmaster.cn>

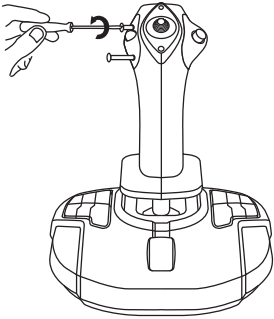


TCA SIDESTICK AIRBUS EDITION

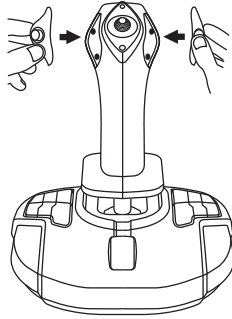


5

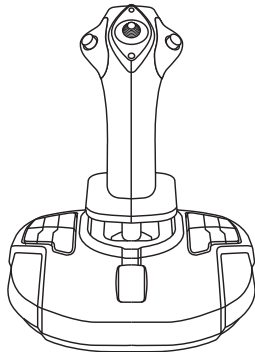
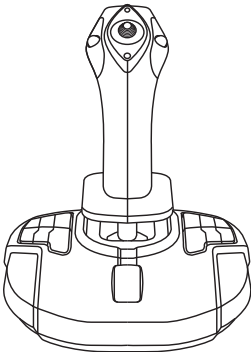
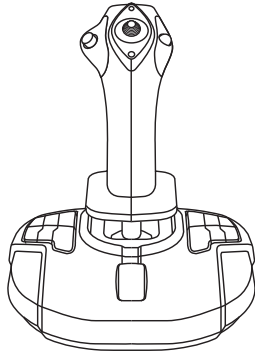
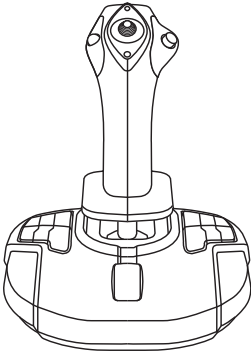
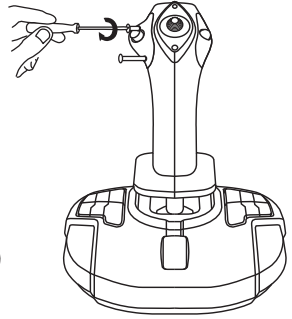
A



B



C



TCA SIDESTICK AIRBUS EDITION

相容於:PC
使用者手冊

技術特性 ①

1. 數字扳機
2. 多向「苦力帽」開關
3. 右按鈕模組
4. 左按鈕模組
5. 透過旋轉手柄操縱方向舵，帶有掌托和鎖定系統
6. 節流閥（帶有 1 個虛擬按鈕）
7. 15 個操作按鈕
8. PC USB 接頭
9. 右手手或左手手按鈕選取器開關

瞭解您的搖桿

獨創高精度技術：

H.E.A.R.T.：HallEffect AccuRate 技術

TCA Sidestick Airbus Edition 搖桿的精度在當今遊戲搖桿領域無與倫比，這得歸功於其採用了眾多先進技術，包括：

- 在操作桿上安裝 3D（Hall 效應）磁性感應器，X 軸和 Y 軸的解析度超過 2.68 億（16384 x 16384 個值），而目前市場上與之競爭的系統（甚至是高端系統）的解析度也只不過百萬左右（1024 x 1024 個值）。
- 磁力技術：無摩擦，從而帶來極限精準體驗和難以置信的回應能力。
- 操作桿上裝有發條（2.8 毫米）：實現穩固、超平滑的線性張力。

節流閥

本搖桿裝有一個節流閥 (6)，方便您輕鬆控制飛機的發動機推力。

例如，在節流閥行程的前 20% 區段啟用虛擬按鈕（圖 3 中編號 17），可啟用反推力裝置。

方向舵功能

本搖桿具有方向舵功能 (5)，類似于飛機上飛行員透過操縱方向舵使飛機圍繞其垂直軸旋轉（讓飛機可以左右旋轉）。

在本搖桿上，可以透過向左或向右旋轉操作桿來實現方向舵功能。

鎖定/解鎖方向舵功能 ②

可以使用搖桿手柄背部的鎖定按鈕來停用方向舵功能。

按下此按鈕可鎖定方向舵的軸。

將此按鈕推回上部（即默認）位置，即可解鎖方向舵軸。

多向「苦力帽」開關

本搖桿配有苦力帽開關 (2)，也稱為「視角帽」開關，顧名思義，透過該開關，您可以（在支援該功能的遊戲中）即時檢視飛機周圍的情況。若要使用此功能，請進入遊戲的設定功能表，將各個視圖（後視圖、左視圖、右視圖及外部視圖）設定到苦力帽開關的相應方向上。

如果您願意，也可以將「苦力帽」開關設為其他用途（開火等）。

左右手通用的系統

TCA Sidestick Airbus Edition 搖桿完美支援左右手，因而適合所有玩家使用，無論他們慣用右手還是左手。

為此，可以調整以下三項：底座上的按鈕配置、右按鈕模組和左按鈕模組。

右利手模式的按鈕配置 ③

若要將底座上的 12 個按鈕設為右利手（或副駕駛員/大副）模式，請在連接搖桿之前，先將位於搖桿底座下方的選取器開關 (9) 設為 **RIGHT HANDED**。本產品將被識別為 T.A320 Copilot。

左利手模式的按鈕配置 ④

若要將底座上的 12 個按鈕設為左利手（或飛行員）模式，請將位於搖桿底座下方的選取器開關 (9) 設為 **LEFT HANDED**。本產品將被識別為 T.A320 Pilot。

更換模組 5

預設情況下，本搖桿被配置為飛行員模式。

要在四種不同的選項之間切換配置，請：

- A. 使用一把小螺絲刀，小心擰松搖桿頭左側按鈕模組上的兩顆螺絲。
- B. 根據首選的配置更換模組。
- C. 將螺絲裝回並完全擰緊。

PC

安裝到 PC 上

1. 將 USB 接頭 (8) 連接到電腦 USB 埠上。
Windows 8 或 10 將自動偵測新裝置。
2. 系統會自動安裝驅動程式。
按照螢幕上的說明完成安裝。
3. 按一下**開始/設定控制台**，然後按兩下**遊戲控制器**。
*遊戲控制器*對話方塊顯示搖桿的名稱，狀態顯示為**OK**。
4. 在**控制台**中，按一下**內容**可測試和檢視搖桿的所有功能。

現在即可開始玩遊戲了！

重要事項

連接搖桿時，始終將操作桿和方向舵置於各自的中心位置，避免移動它們（以防出現任何校準問題）。

故障檢修和警告

- **我的搖桿運作不正常，或看上去校準不當：**
 - 關閉電腦並斷開與搖桿的連接；然後重新開機、重新連接搖桿，並重啟遊戲。
 - 連接搖桿時：始終將操作桿和方向舵置於其中心位置，並避免移動它們（以防出現任何校準問題）。
- **我無法配置我的搖桿：**
 - 在遊戲的**選項/控制器/遊戲手把或搖桿**功能表中，選取適當的配置，或重新配置控制器選項。
 - 有關詳細資訊，請參閱遊戲的使用者手冊或線上說明實用程式。
- **我的搖桿太靈敏或不夠靈敏：**
 - 當您沿不同的軸移動幾次搖桿後，搖桿將自行獨立校準。
 - 在遊戲的**選項/控制器/遊戲手把或搖桿**菜單中：調整搖桿的靈敏度和盲區（如果這些選項可用）。



此周邊僅供娛樂遊戲使用，嚴禁用於任何職業培訓練習。

版權所有

© 2020 Guillemot Corporation S.A. 保留所有權利。圖馬思特® 為 Guillemot Corporation S.A 的註冊商標。

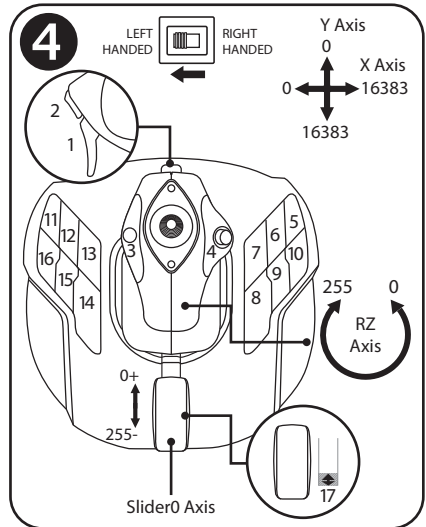
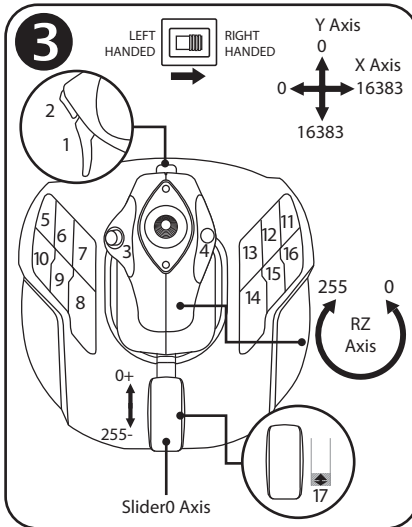
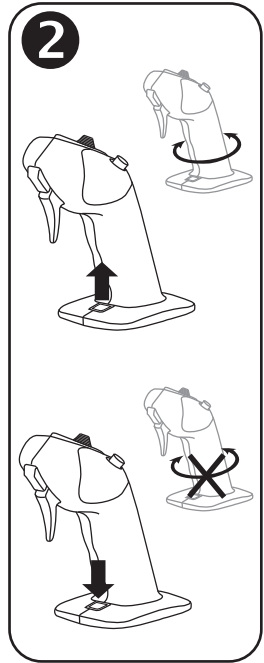
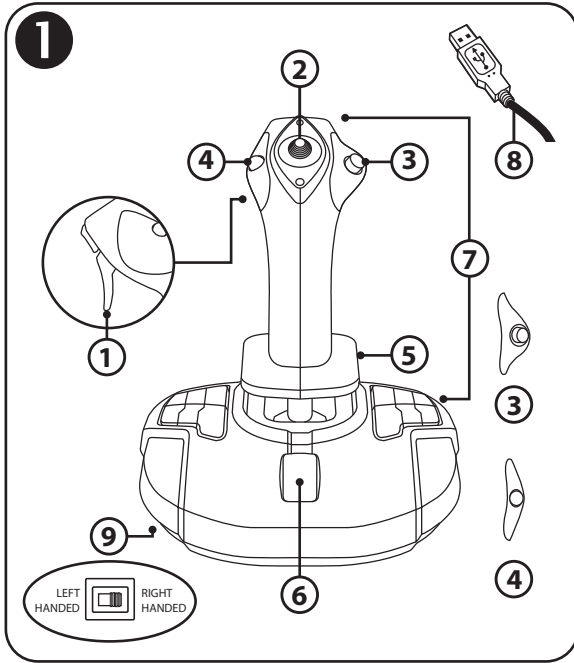
AIRBUS 及其徽標和產品及服務標章是 Airbus 的註冊商標。保留所有權利。

© Airbus 2020.保留所有權利。獲得 Airbus 官方授權。

其他商標或註冊商標均為其個別擁有者的財產。圖片並不受約束。產品內容、設計和規格如有變更，恕不另行通知，並可能會視乎國家而不同。中國製造。

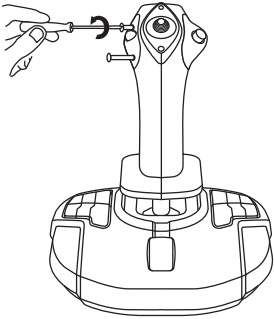


TCA SIDESTICK AIRBUS EDITION

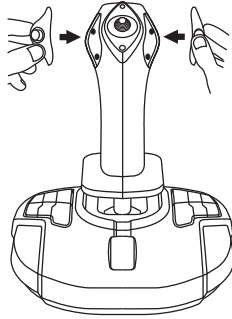


5

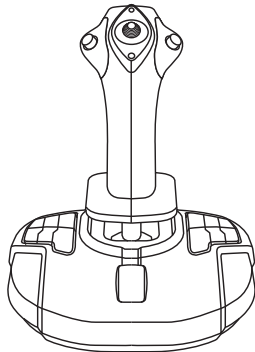
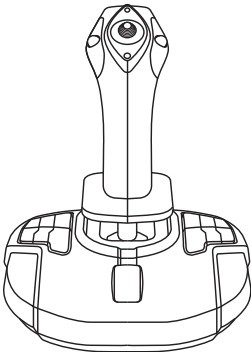
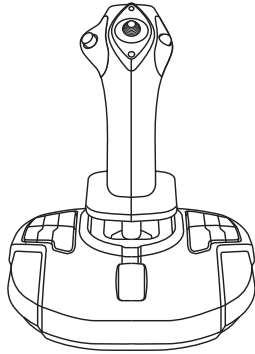
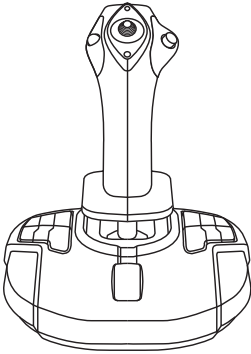
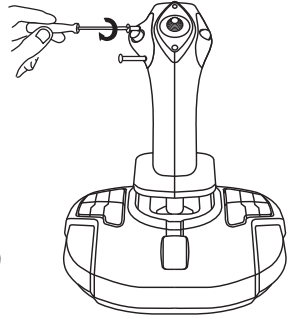
A



B



C



TCA SIDESTICK AIRBUS EDITION

호환성: PC
사용설명서

기술적 특징

1. 디지털 트리거
2. 다방향 "시점" 헤트 스위치
3. 우측 버튼 모듈
4. 좌측 버튼 모듈
5. 손 받침대 + 잠금 시스템이 있는 회전 핸들을 통한 러더 컨트롤
6. 스토틀 (가상 버튼 1 개 포함)
7. 동작 버튼 15 개
8. PC USB 커넥터
9. 오른손잡이 또는 왼손잡이 버튼 선택 스위치

조이스틱 알아보기

독점적인 정밀 기술:

H.E.A.R.T: HallEffect AccuRate Technology

TCA Sidestick Airbus Edition 조이스틱은 다음과 같은 특징을 포함하여 현재 세계 최고 수준의 정밀도를 제공하는 기술을 보유하고 있습니다.

- 3D (Hall 효과) 스틱에 있는 자기 센서는 X 및 Y 축(16,384 x 16,384)보다 2억 6천 8백만 색 이상의 해상도를 가졌지만, 현재 경쟁 시스템(심지어 고급 시스템)은 약 1백만 색(1,024 x 1,024)의 해상도를 제공합니다.
- 자석: 마찰 없음, 제한 없이 정밀하며 놀라울 정도로 뛰어난 반응성이 지속됩니다.
- 스틱의 코일 스프링(2.8 mm): 단단하고, 선형이며 아주 부드러운 장력.

스토틀

조이스틱은 항공기의 엔진 추진력을 쉽게 제어하는데 사용할 수 있는 스토틀 (6)을 특징으로 합니다.

예를 들어, 역추진 장치를 활성화하기 위해 스토틀 이동의 처음 20 퍼센트에서 가상 버튼 (번호 17, 다이어그램 3)을 사용할 수 있습니다.

러더 기능

조이스틱은 러더 기능 (5)을 특징으로 합니다. 비행기에서, 파일럿은 수직축을 중심으로 비행기를 선회하기 위해 러더를 조종합니다(비행기가 왼쪽 또는 오른쪽으로 회전).

이 러더 기능은 스틱을 왼쪽 또는 오른쪽으로 회전(즉, 비틀기)함으로써 조이스틱에서 사용 가능합니다.

러더 기능 잠금/해제 ②

러더 기능은 조이스틱 핸들 뒷면에 있는 잠금 버튼을 사용하여 비활성화할 수 있습니다.

러더의 축을 잠그려면 이 버튼을 누르십시오.

러더의 축을 해제하려면 이 버튼을 다시 상부(즉, 기본) 위치에 놓습니다.

다방향 "시점" 헤트 스위치

조이스틱은 "시점" 헤트 스위치 (2)를 특징으로 하며, 이름이 보여주듯 항공기 주변에서 일어나는 모든 것(이 기능이 활성화된 게임에서)을 즉시 볼 수 있도록 합니다. 이 기능을 사용하려면, 간단히 게임의 설정 메뉴로 가서 "시점" 헤트 스위치의 방향에서 서로 다른 보기(후면 보기, 왼쪽 보기, 오른쪽 보기 및 외부 보기)를 설정합니다.

원한다면, 다른 용도(발사, 등)로 "시점" 헤트 스위치를 지정할 수도 있습니다.

양손잡이용 시스템

TCA Sidestick Airbus Edition 조이스틱은 완전한 양손잡이용으로서, 오른손잡이 또는 왼손잡이와 관계없이 모든 플레이어에게 완벽하게 적응할 수 있는 장점이 있습니다.

그렇게 하려면, 세 가지 요소를 조정할 수 있습니다. 베이스에 있는 버튼 설정, 우측 버튼 모듈, 및 좌측 버튼 모듈.

오른손잡이 모드에서 버튼 설정 ③

베이스에 위치한 버튼 12 개의 위치를 오른손잡이(또는 부조종사/기장) 모드로 설정하려면 조이스틱을 연결하기 전에 조이스틱 베이스 아래에 위치한 선택 스위치 (9)를 **RIGHT HANDED** 에 놓습니다. 그러면 제품은 T.A320 Copilot 으로 인식될 것입니다.

왼손잡이 모드에서 버튼 설정 ④

베이스에 위치한 버튼 12 개의 위치를 왼손잡이(또는 파일럿) 모드로 설정하려면 조이스틱을 연결하기 전에 조이스틱 베이스 아래에 위치한 선택 스위치 (9)를 **LEFT HANDED** 에 놓습니다. 그러면 제품은 T.A320 Pilot 으로 인식될 것입니다.

모듈 변경하기 5

기본적으로, 조이스틱은 파일럿 모드로 설정되어 있습니다.
사용 가능한 네 가지 다른 옵션 간 설정을 변경하려면:

- A. 작은 드라이버를 사용하여, 조이스틱 헤드의 좌측면에 있는 버튼 모듈에서 나사 두 개를 조심스럽게 풀어줍니다.
- B. 선호하는 설정에 따라 모듈을 변경합니다.
- C. 나사를 다시 고정한 다음 완전히 조여줍니다.

PC

PC 설치

1. USB 커넥터 (8)를 컴퓨터 USB 포트에 연결합니다.
Windows 8 또는 10 은 자동으로 새 장치를 감지합니다.
2. 드라이버가 자동으로 설치됩니다.
화면에 나타나는 지침을 따라 설치를 완료합니다.
3. 시작/설정/제어판을 클릭한 후, 게임 컨트롤러를 더블 클릭하십시오.
게임 컨트롤러 대화 상자가 OK 상태와 함께 조이스틱의 이름을 보여줍니다.
4. 조이스틱의 모든 기능을 테스트하고 보려면 제어판에서, 속성을 클릭하십시오.

이제 레이싱 준비가 되었습니다!

중요사항

조이스틱을 연결할 때, 항상 스틱과 러더를 중앙 위치에 놓고 움직이지 않도록 하십시오(보정 문제 방지).

문제 해결 및 경고

- 조이스틱은 올바르게 작동하지 않거나 적절하지 않게 보정된 것 같은 경우:
 - 컴퓨터의 전원을 끄고 조이스틱을 분리하십시오. 컴퓨터를 다시 켜 다음, 조이스틱을 다시 연결하고 게임을 재시작하십시오.
 - 조이스틱을 연결할 때, 항상 스틱과 러더를 중앙 위치에 놓고 움직이지 않도록 하십시오(보정 문제 방지).
- 조이스틱을 설정할 수 없습니다.
 - 게임의 **옵션 / 컨트롤러 / 게임패드** 또는 **조이스틱** 메뉴에서 적절한 설정을 선택하거나 컨트롤러 옵션을 완전히 변경하십시오.
 - 더 자세한 내용은 게임 사용 설명서 또는 온라인 **헬프** 유틸리티를 참조하십시오.
- 조이스틱이 너무 민감하거나 충분히 민감하지 못합니다.
 - 일단 다른 축을 따라 약간의 움직임이 일어나면 조이스틱이 독립적으로 자가 보정합니다.
 - 게임의 **옵션 / 컨트롤러 / 게임패드** 또는 **조이스틱** 메뉴에서 조이스틱의 감도 및 데드 존을 조정하십시오(옵션을 사용할 수 있는 경우).



이 주변 장치는 오락용 게임을 위한 것이며 모든 종류의 전문 훈련 활동에 이 장치를 사용하는 것은 엄격히 금지되어 있습니다.

COPYRIGHT

© 2020 Guillemot Corporation S.A. 모든 권리 보유. Thrustmaster®는 Guillemot Corporation S.A.의 등록상표입니다.

AIRBUS, 해당 회사의 로고와 제품 및 서비스 마크는 Airbus의 등록 상표입니다. 모든 권리 보유.

© Airbus 2020. 모든 권리 보유. Airbus의 공식 라이선스 획득.

다른 모든 상표는 해당 소유자의 자산입니다. 도면은 법적 구속력이 없습니다. 설명서의 내용, 설계 및 사양은 예고 없이 변경될 수 있으며, 나라마다 서로 다를 수 있습니다. 제조국: 중국



TCA SIDESTICK AIRBUS EDITION

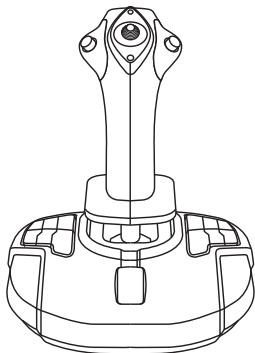
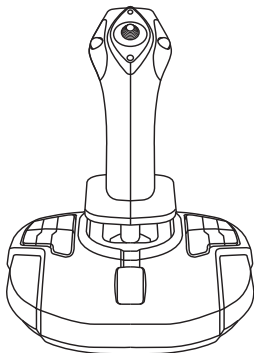
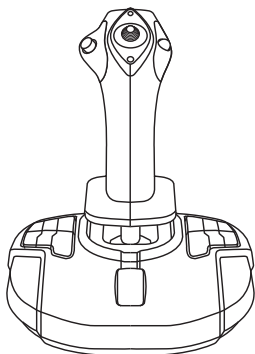
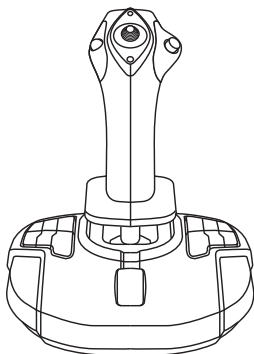
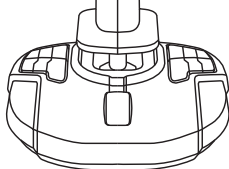
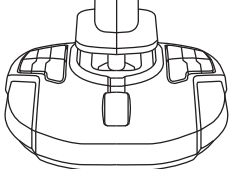
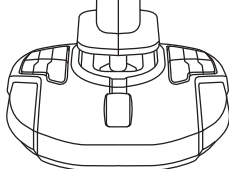
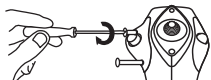
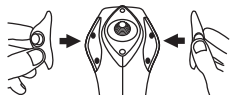
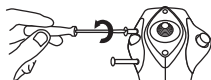


5

A

B

C



TCA SIDESTICK AIRBUS EDITION

متوافقة مع: أجهزة الكمبيوتر دليل المستخدم

1 الميزات التقنية

- 1- الزناد الرقمي
- 2- مفتاح القبعة "بزاوية العرض" متعدد الاتجاهات
- 3- وحدة الزر الأيمن
- 4- وحدة الزر الأيسر
- 5- عنصر التحكم في الموجه عن طريق تدوير المقبض باستخدام سنادة اليد + نظام القفل
- 6- الخانق (مزود بزر افتراضي)
- 7- 15 زر مهام
- 8- وصلة USB للكمبيوتر
- 9- مفتاح اختيار الأزرار لليد اليمنى أو اليد اليسرى

التعرف على عصا التحكم

تقنية ذات دقة استثنائية:

تقنية H.E.A.R.T. :HallEffect AccuRate Technology

تتضمن عصا التحكم TCA Sidestick Airbus Edition تقنية تمنحها مستوى من الدقة لا يضاهى في الوقت الحالي في عالم عصي تحكم الألعاب، وتتضمن:

- مستشعرات مغناطيسية ثلاثية الأبعاد (بتأثير Hall) على العصا، مع دقة أكثر من 268 مليون قيمة على المحورين "س" و"ص" (16384 x 16384 قيمة)، بينما الأنظمة المنافسة الحالية (حتى الأنظمة المتطورة منها) تمنح دقة لا تتجاوز حوالي 1 مليون قيمة (1024 x 1024 قيمة).
- مغناطيس: لا احتكاك، وذلك للحصول على دقة غير محدودة ورد فعل رائع يدوم طويلاً.
- نابض لولبي على العصا (2.8 ملم): لجهد خطي ثابت وفائق الانسيابية.

الخانق

تشتمل عصا التحكم على خانق (6)، والذي يمكنك استخدامه للتحكم في اندفاع محرك طائرتك بسهولة.

يتم تمكين زر افتراضي (الرقم 17، الرسم التوضيحي 3) على طول أول 20% من مسافة حركة الخانق، وذلك لتفعيل عواكس الدفع، كمثال.

وظيفة الموجّه

تتضمّن عصا التحكم وظيفة الموجّه (5): في الطائرات، يستخدم الطيار الموجّه ببراعة لتدوير الطائرة حول محورها رأسياً (مما يجعل الطائرة تدور إلى اليمين أو إلى اليسار).

إنّ وظيفة الموجّه هذه متوفرة في عصا التحكم عبر تدوير (أي لف) العصا إلى اليمين أو إلى اليسار.

قفل/فتح ووظيفة الموجّه 2

يمكن تعطيل وظيفة الموجّه باستخدام زر القفل الموجود على الجانب الخلفي لمقبض عصا التحكم. اضغط هذا الزر لأسفل لقفّل محور الموجّه. ارجع هذا الزر إلى الموضع العلوي (أي الافتراضي) لفتح محور الموجّه.

مفتاح القبّعة "بزواية العرض" متعدد الاتجاهات

تتميز عصا التحكم بمفتاح قبّعة "بزواية عرض" (2) والذي، كما يدل اسمه، يتيح لك رؤية كل شيء يدور حول طائرتك لحظياً (في الألعاب المتوفرة بها تلك الميزة). ولاستخدام تلك الميزة، ما عليك سوى الذهاب إلى قائمة الإعدادات في لعبتك، وبرمجة طرق العرض المختلفة (العرض الخلفي، عرض جهة اليسار، عرض جهة اليمين، وأيضاً طرق العرض الخارجي) إلى اتجاهات مفتاح القبّعة "بزواية العرض".

يمكنك أيضاً، إذا أردت، الإبقاء على مفتاح القبّعة "بزواية العرض" لاستخدامات أخرى بدلاً من ذلك (لإطلاق النار، إلخ).

نظام يصلح كلياً للاستخدام باليد اليمنى أو اليسرى

تتميّز عصا التحكم TCA Sidestick Airbus Edition عن غيرها من عصي التحكم بأنها تصلح للاستخدام كلياً بكلتا اليدين، مما يتيح لها التكيف على نحو مثالي مع كل اللاعبين، سواء أكانوا يستخدمون يدهم اليمنى أم اليسرى.

لفعل ذلك، يمكن ضبط ثلاثة عناصر: تكوين الأزرار على القاعدة، ووحدة الزر الأيمن، ووحدة الزر الأيسر.

تكوين الأزرار في وضع استخدام اليد اليمنى 3

لضبط وضعيات الـ 12 زرّاً الموجودة بالقاعدة على وضع استخدام اليد اليمنى (أو مساعد الطيار/الضابط الأول)، اضبط مفتاح الاختيار (9) الموجود أسفل قاعدة عصا التحكم على **RIGHT HANDED** (استخدام اليد اليمنى) قبل توصيل العصا. وسيتم التعرّف على منتجك حينئذٍ بوصفه T.A320 Copilot.

تكوين الأزرار في وضع استخدام اليد اليسرى 4

لضبط وضعيات الـ 12 زرّاً الموجودة بالقاعدة على وضع استخدام اليد اليسرى (أو الطيار)، اضبط مفتاح الاختيار (9) الموجود أسفل قاعدة عصا التحكم على **LEFT HANDED** (استخدام اليد اليسرى) قبل توصيل العصا. وسيتم التعرّف على منتجك حينئذٍ بوصفه T.A320 Pilot.

5 تغيير الوحدات

- يتم تكوين عصا التحكم بشكل افتراضي على وضع الطيار. لتغيير التكوين ما بين الخيارات الأربعة المختلفة المتاحة:
- أ- باستخدام مفك براغي صغير، قم بفك المسامير الموجودين بوحدة الزر على الجانب الأيسر لرأس عصا التحكم بعناية.
 - ب- قم بتغيير الوحدات طبقاً للتكوين المفضل لك.
 - ج- أعد تركيب المسامير وأحكم ربطها تماماً مرة أخرى.

أجهزة الكمبيوتر

التثبيت على أجهزة الكمبيوتر

- 1- وصل وصلة USB (8) بأحد منافذ USB الموجودة بجهاز الكمبيوتر الخاص بك. سيكتشف نظام التشغيل Windows 8 أو Windows 10 الجهاز الجديد تلقائياً.
 - 2- يتم تثبيت برامج التشغيل تلقائياً. اتبع التعليمات التي تظهر على الشاشة لاستكمال التثبيت.
 - 3- انقر فوق Start (ابدأ)/ Settings (الإعدادات)/ Control Panel (لوحة التحكم)، ثم انقر نقرأ مزدوجاً فوق Game Controllers (وحدات التحكم بالألعاب).
 - يعرض مربع الحوار Game Controllers (وحدات التحكم بالألعاب) اسم عصا التحكم مع الحالة OK (موافق).
 - 4- في Control Panel (لوحة التحكم)، انقر فوق Properties (الخصائص) لتجربة كل وظائف عصا التحكم وعرضها.
- أنت الآن جاهز للعب!

ملاحظة مهمة

عند توصيل عصا التحكم، اضبط العصا والموجه دائماً على وضعيهما المركزيين، وتجنب تحريكهما (لتفادي أي مشكلات فيما يتعلق بالمعايرة).

استكشاف الأخطاء وإصلاحها وتحذير

- عصا التحكم لا تعمل بشكل صحيح أو تبدو كأنها لم تتم معايرتها بشكل صحيح:
 - أوقف تشغيل جهاز الكمبيوتر وافصل عصا التحكم، ثم أعد تشغيل جهاز الكمبيوتر، وأعد توصيل عصا التحكم، وأعد تشغيل اللعبة.
 - عند توصيل عصا التحكم: اضبط العصا والموجه دائماً على وضعيهما المركزيتين، وتجنب تحريكهما (لتفادي أي مشكلات فيما يتعلق بالمعايرة).

• لا أستطيع تكوين عصا التحكم:

- في القائمة **Options (الخيارات) / Controller (وحدة التحكم) / Gamepad (لوحة الألعاب)** أو **Joystick (عصا التحكم)** بلمبتك: حدد التكوين المناسب، أو أعد تكوين خيارات وحدة التحكم بالكامل.
- يُرجى الرجوع إلى دليل المستخدم أو أداة المساعدة عبر الإنترنت للحصول على مزيد من المعلومات.

• عصا التحكم حساسة أكثر مما ينبغي أو غير حساسة بشكل كاف:

- تعابر عصا التحكم نفسها بشكل مستقل عند أدائك بعض الحركات على المحاور المختلفة.
- في القائمة **Options (الخيارات) / Controller (وحدة التحكم) / Gamepad (لوحة الألعاب)** أو **Joystick (عصا التحكم)** بلمبتك: اضبط الحساسية والمناطق الهامدة لعصا التحكم الخاصة بك (إذا كانت تلك الخيارات متاحة).



هذه الوحدة الطرفية مصممة لأغراض الألعاب الترفيهية فقط، واستخدامها ممنوع منعاً باتاً لأي نوع من أنشطة التدريب الاحترافية.

ضمان المستهلك

تضمن شركة Guillemot Corporation S.A، العالمية (المشار إليها فيما بعد باسم "Guillemot") ومقرها الرئيسي في Place du Granier, B.P. 97143, 35571 Chantepie, France، للمستهلك أن يكون منتج Thrustmaster هذا خالياً من عيوب المواد وعيوب التصنيع، طوال مدة فترة الضمان التي تتوافق مع الفترة المحددة التي يمكن خلالها المطالبة بالمطابقة لاسترداد قيمة هذا المنتج أو استبداله، في دول الاتحاد الأوروبي، يسري هذا لمدة (2) عامين من تاريخ استلام المنتج Thrustmaster. وفي دول أخرى، تتوافق فترة الضمان مع الفترة المحددة للمطالبة بمطابقة المنتج Thrustmaster وفقاً للقوانين المعمول بها في الدولة التي كان يقطن بها المستهلك عند تاريخ شراء المنتج Thrustmaster (في حالة عدم المطالبة في الدولة المعنية، ستكون فترة الضمان عام (1) واحد من تاريخ الشراء الأصلي للمنتج Thrustmaster). مع عدم الإخلال بما تقدم، يشمل الضمان البطاريات القابلة لإعادة الشحن لمدة ستة (6) أشهر من تاريخ البيع الأصلي. وإذا ظهر أن المنتج معيَّباً خلال فترة الضمان، فاتصل على الفور بالدعم الفني الذي سيرشدك إلى الإجراءات التي يجب أن تتبناها. وإذا تم التأكد من وجود العيب، فيجب إعادة المنتج إلى مكان شرائه (أو أي موقع آخر يشير إليه الدعم الفني). وفي سياق هذا الضمان، يجب استبدال المنتج المعيب الخاص بالمستهلك أو إصلاحه، وذلك حسب اختيار الدعم الفني. إذا خضع منتج Thrustmaster، في خلال فترة الضمان، لأي عملية إصلاح، فإن أي فترة يكون المنتج خلالها خارج الخدمة وبعد أدنى سبعة (7) أيام سوف تضاف إلى فترة الضمان المتبقية (تبدأ هذه الفترة من تاريخ طلب العميل للتدخل) أو من تاريخ تقديم المنتج المذكور للإصلاح، إذا كان تاريخ تقديم المنتج للإصلاح لاحقاً لتاريخ طلب التدخل). تقتصر المسؤولية الكاملة لشركة Guillemot وفروعها (بما في ذلك الأضرار التبعية) على إصلاح المنتج Thrustmaster أو استبداله، وذلك عندما يكون هذا جائزاً بموجب القانون الساري. تخلي شركة Guillemot مسؤوليتها عن أي ضمانات خاصة بالتجارة أو الملاءمة لغرض معين، وذلك عندما يكون هذا جائزاً بموجب القانون الساري.

لا يسري هذا الضمان: (1) إذا تم تعديل المنتج أو فتحه أو تغييره أو إذا تعرض للتلف نتيجة للاستخدام السيئ أو غير الملائم أو الإهمال أو حادث أو الإهلاك نتيجة الاستعمال العادي، أو أي سبب آخر لا يرتبط بوجود عيب في المواد أو التصنيع (بما في ذلك، على سبيل المثال لا الحصر، تجميع منتج Thrustmaster بواسطة أي عنصر غير مناسب، بما في ذلك على وجه الخصوص وحدات الإمداد بالطاقة أو البطاريات القابلة لإعادة الشحن أو الشواحن أو أي عناصر أخرى لا يتم توزيعها من خلال Guillemot لهذا المنتج)؛ (2) إذا استخدم المنتج لأي غرض آخر بخلاف الاستخدام المنزلي، بما في ذلك الأغراض المهنية أو التجارية (غرف الألعاب أو التدريب أو المسابقات على سبيل المثال)؛ (3) في حالة عدم

الالتزام بالتعليمات المقدمة من قبيل الدعم الفني؛ (4) على البرامج، حيث تخضع هذه البرامج لضمان محدد؛ (5) على العناصر الاستهلاكية (العناصر التي يتم استهلاكها خلال فترة عمر المنتج: كالبطاريات غير القابلة لإعادة الاستخدام أو سماعات الرأس أو وسادات الأذن الخاصة بسماعة الرأس)؛ (6) الملحقات (كالكبلات والعلب والحافظات والحقائب وأربطة المعصم)؛ (7) إذا تم بيع المنتج في مزاد علني.
هذا الضمان غير قابل للتحويل.

لا يؤثر هذا الضمان على الحقوق القانونية للمستهلك بمقتضى القوانين المطبقة على بيع السلع الاستهلاكية في بلده/بلدها.

شروط الضمان الأخرى

خلال فترة الضمان، لن توفر Guillemot، من حيث المبدأ، أي قطع غير، حيث أن الدعم الفني هو الطرف الوحيد المخول بفتح و/أو إصلاح أي منتج من Thrustmaster (باستثناء أي إجراءات إصلاح يطلب الدعم الفني إجراؤها بواسطة العميل، عن طريق تعليمات مكتوبة – على سبيل المثال، نظرًا لبساطة عملة الإصلاح وعدم سربيتها – وتزويد العميل بقطعة (قطع) الغيار المطلوبة، حينما أمكن ذلك.

لمقتضى المجالات الإبداعية ولحماية أسرار المعرفة الفنية والأسرار التجارية، لن توفر Guillemot، من حيث المبدأ، أي إشعارات للإصلاح أو قطع غير لأي منتج Thrustmaster انتهت فترة الضمان الخاصة به.

في الولايات المتحدة الأمريكية وكندا، يقتصر هذا الضمان على الآلية الداخلية للمنتج والغطاء الخارجي له. لا تتحمل شركة Guillemot أو شركاتها التابعة بأي حل من الأحوال مسؤولية أي جهة أخرى عن أي أضرار تبعية أو عرضية ناتجة عن خرق للضمانات الصريحة أو الضمنية. لا تسمح بعض الولايات/المقاطعات بتحديد مدة الضمان الضمني أو الاستثناء أو تحديد المسؤولية عن الأضرار التبعية أو العرضية، ولذلك فقد لا تسري عليك الحدود أو الاستثناءات الواردة أعلاه. يمنحك هذا الضمان حقوقًا قانونية معينة، وقد تتمتع أيضًا بحقوق أخرى تختلف من ولاية لأخرى أو من مقاطعة لأخرى.

المسؤولية

تخلي شركة Guillemot Corporation S.A. (المشار إليها فيما بعد باسم "Guillemot") وفروعها مسؤوليتها كاملة عن أي أضرار تنتج عن حالة أو أكثر من الحالات التالية، إذا كان هذا جائزًا بموجب القانون الساري: (1) تعديل المنتج أو فتحه أو تغييره؛ (2) عدم الالتزام بتعليمات المجموعة؛ (3) الاستخدام السببي أو غير الملائم أو الإهمال أو التعرض لحادث (تصادم، على سبيل المثال)؛ (4) الإهلاك الناتج عن الاستعمال العادي؛ (5) إذا استخدم المنتج لأي غرض آخر بخلاف الاستخدام المنزلي، بما في ذلك الأغراض المهنية أو التجارية (غرف الألعاب أو التدريب أو المسابقات على سبيل المثال). تخلي شركة Guillemot وفروعها كافة مسؤوليتها عن أي أضرار لا ترتبط بعيب في المواد أو التصنيع يتعلق بالمنتج (متضمنًا، على سبيل المثال لا الحصر، أي أضرار تحدث بشكل مباشر أو غير مباشر بسبب أي برنامج أو عن طريق دمج منتج Thrustmaster مع أي عنصر غير مناسب، بما في ذلك على وجه الخصوص وحدات الإمداد بالطاقة أو البطاريات القابلة لإعادة الشحن أو الشواحن أو أي عناصر أخرى لا يتم توريدها من خلال Guillemot لهذا المنتج)، إذا كان هذا جائزًا بموجب القانون الساري.

THRUSTMASTER®

الدعم الفني

<https://support.thrustmaster.com>



حقوق النشر

حقوق النشر

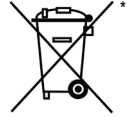
شركة Airbus وشعارها ومنتجاتها وعلامات خدمتها هي علامات تجارية مسجلة باسم شركة Airbus. جميع الحقوق محفوظة. Airbus Corporation S.A. © 2020 جميع الحقوق محفوظة. Thrustmaster® هي علامة تجارية مسجلة لشركة Airbus وشعارها ومنتجاتها وعلامات خدمتها هي علامات تجارية مسجلة باسم شركة Airbus. جميع الحقوق محفوظة. Airbus Corporation S.A. © 2020 مملوكة لشركة Airbus. جميع الحقوق محفوظة. منتج مرخص رسمياً من شركة Airbus. كافة العلامات التجارية الأخرى مملوكة لأصحابها المعنيين. الرسوم التوضيحية غير ملزمة. وتخضع المحتويات والتصميمات والمواصفات للتغيير دون إشعار وقد تختلف من بلد إلى آخر. صنع في الصين.

توصيات الحماية البيئية

في الاتحاد الأوروبي: عند انتهاء صلاحية المنتج، يجب عدم التخلص منه مع النفايات المنزلية العادية، لكن يوضع في نقطة تجميع خاصة بالتخلص من نفايات المعدات الكهربائية والإلكترونية (WEEE).

ويؤكد ذلك الرمز الموجود على المنتج أو دليل المستخدم أو الغلاف. يمكن إعادة تدوير المواد، على حسب خصائصها. من خلال إعادة التدوير والأشكال الأخرى لمعالجة نفايات المعدات الكهربائية والإلكترونية، يمكنك المشاركة بفعالية في المساعدة على حماية البيئة.

يرجى الاتصال بالسلطات المحلية لديك للحصول على معلومات حول نقطة التجميع الأقرب إليك. بالنسبة لكافة البلدان الأخرى: يرجى الالتزام بقوانين إعادة التدوير المحلية الخاصة بالمعدات الكهربائية والإلكترونية.



احتفظ بهذه المعلومات. قد تختلف الألوان والزخارف.

يجب إزالة المواد المثبتة واللاصقة من المنتج قبل استخدامه.

www.thrustmaster.com

*ينطبق على الاتحاد الأوروبي وتركيا فقط

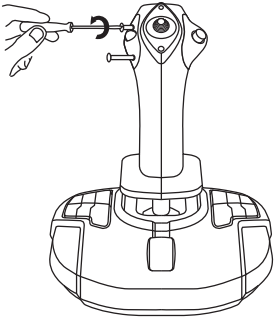


TCA SIDESTICK AIRBUS EDITION

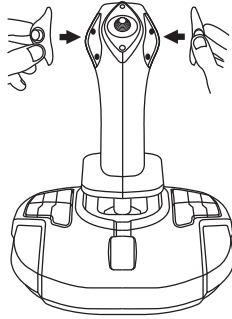


5

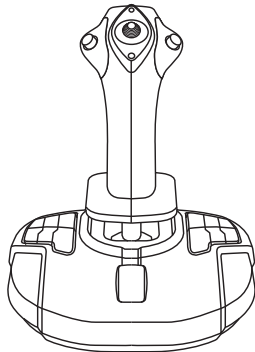
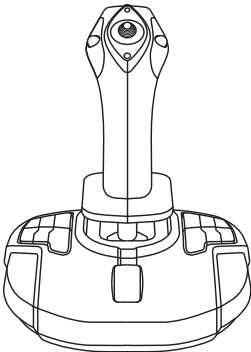
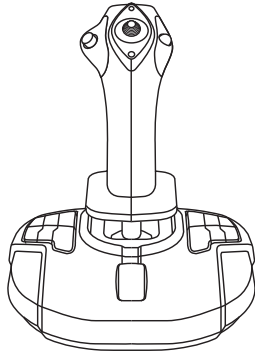
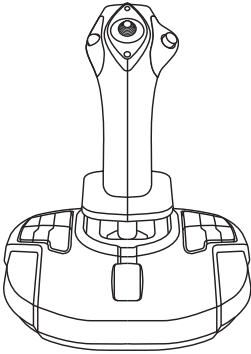
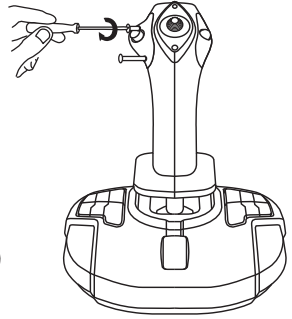
A



B



C



TCA SIDESTICK **AIRBUS EDITION**

Kompatibel: PC
Bruksanvisning

TEKNISKA DELAR **1**

1. Digital avtryckare
2. POV-hattknapp
3. Höger knappmodul
4. Vänster knappmodul
5. Roderkontroll via vridbart handtag med handstöd + låssystem
6. Gasreglage (med en virtuell knapp)
7. 15 actionknappar
8. PC USB-kontakt
9. Knapp för att välja högerhänta eller vänsterhänta knappar

LÄR KÄNNA DIN JOYSTICK

EXKLUSIV PRECISIONSTEKNIK:
H.E.A.R.T: Halleffect AccuRate Technology

Din TCA Sidestick Airbus Edition-joystick innehåller teknik som ger den en precision som för närvarande är oöverträffad bland världens speljoystickar, bland annat:

- Magnetiska 3D-sensorer (Hall-effekt) på spaken, med en upplösning på mer än 268 miljoner värden över X- och Y-axlarna (16 384 x 16 384 värden), medan dagens konkurrerande system (till och med bland premiumsystemen) bara ger upplösningar runt omkring 1 miljon värden (1 024 x 1 024 värden).
- En magnet: ingen friktion, för obegränsad precision och otrolig responsivitet som håller.
- En spiralfjäder på spaken (2,8 mm): för stadig, linjär och extremt mjuk spänning.

GASREGLAGE

Din joystick har ett gasreglage **(6)**, som du kan använda för att enkelt kontrollera ditt flygplans motordragkraft.

En virtuell knapp (nummer 17, figur 3) är aktiverad de första 20 procenten av gasreglagets rörelseområde för att t.ex. aktivera reverseringssystemet.

RODERFUNKTION

Din joystick har en roderfunktion (5): i ett flygplan manipulerar piloten rodet för att vrida planet runt sin längdaxel (vilket gör att planet svänger åt vänster eller höger).

Denna roderfunktion använder du på joystickens genom att vrida spaken till vänster eller höger.

LÅSA/LÅSA UPP RODERFUNKTIONEN 2

Roderfunktionen kan inaktiveras via låsknappen på baksidan av joystickhandtaget.

Tryck ner denna knapp för att låsa rodrets axel.

För tillbaka knappen till övre läget (standardläget) för att låsa upp rodrets axel.

POV-HATTKNAPPEN

Din joystick har en POV-hattknapp (2) som, precis som namnet antyder, gör att du omedelbart kan se allt som sker runt omkring ditt flygplan (i spel där denna funktion är aktiverad). För att använda denna funktion går du helt enkelt in i spelets inställningsmeny och programmerar de olika vyerna (bakre vy, vy åt vänster, vy åt höger, samt yttre vyer) på POV-hattknappens riktningar.

Om du vill kan du även använda POV-hattknappen till annat istället (som att skjuta t.ex.).

AMBIDEXTRÖST SYSTEM

Din TCA Sidestick Airbus Edition-joystick har fördelen att den är helt ambidextrös, vilket gör att den kan anpassa sig perfekt till alla spelare, vare sig de är höger- eller vänsterhänta.

För att göra det kan tre delar justeras: konfigurationen på basens knappar, höger knappmodul och vänster knappmodul.

KONFIGURATION AV KNAPPAR I HÖGERHÄNT LÄGE 3

För att ange positionen på de 12 knapparna på basen till HÖGERHÄNT läge (eller andrepilot/förste styrman) sätter du växlingsknappen (9) under joystickens bas till **RIGHT HANDED** innan du ansluter joystickens. Din produkt känns då igen som en T.A320 Copilot.

KONFIGURATION AV KNAPPAR I VÄNSTERHÄNT LÄGE 4

För att ange positionen på de 12 knapparna på basen till VÄNSTERHÄNT läge (eller pilot) sätter du växlingsknappen (9) under joystickens bas till **LEFT HANDED** innan du ansluter joystickens. Din produkt känns då igen som en T.A320 Pilot.

ÄNDRA MODULER 5

Som standard är joystickens konfiguration i pilotläget.

För att ändra konfiguration mellan de fyra olika alternativen som finns:

- A. Använd en liten skruvmejsel och skruva försiktigt loss de två skruvorna i knappmodulen på vänster sida om joystickens huvud.
- B. Ändra modulerna till önskad konfiguration.
- C. Skruva i skruvorna igen och dra åt dem ordentligt.

PC

INSTALLATION PÅ PC

1. Anslut USB-kontakten (**8**) till någon av USB-portarna på din dator.
Windows 8 eller 10 upptäcker automatiskt den nya enheten.
2. Drivrutinerna installeras automatiskt.
Följ anvisningarna på skärmen för att slutföra installationen.
3. Klicka på **Start/Inställningar/Kontrollpanelen** och dubbelklicka på **Spelkontroller**.
*Dialogrutan **Spelkontroller** visar joystickens namn med statusen **OK**.*
4. På **Kontrollpanelen** klickar du på **Egenskaper** för att testa och visa alla din joysticks funktioner.

Nu är du redo att spela!

VIKTIG INFORMATION

När du ansluter din joystick ska du alltid ha spaken och rodret i dess centrala positioner och undvika att röra på dem (för att undvika kalibreringsproblem).

FELSÖKNING OCH VARNINGAR

- **Min joystick fungerar inte som den ska eller verkar vara felkalibrerad:**
 - Stäng av datorn och frångkoppla din joystick; slå sedan på datorn, anslut joysticken igen och starta om spelet.
 - När du ansluter din joystick: ha alltid spaken och rodret i dess centrala positioner och undvik att röra på dem (för att undvika kalibreringsproblem).
- **Jag kan inte konfigurera min joystick:**
 - Gå till **Alternativ / Kontroll / Handkontroll** eller **Joystick**-menyn i ditt spel: välj lämplig konfiguration eller konfigurera om kontrollalternativen helt och hållet.
 - Se bruksanvisningen eller onlinehjälpn för ditt spel för mer information.
- **Min joystick är för känslig eller inte tillräckligt känslig:**
 - Din joystick kalibrerar sig själv när du har gjort några rörelser längs de olika axlarna.
 - Gå till **Alternativ / Kontroll / Handkontroll** eller **Joystick**-menyn i ditt spel: justera känsligheten och dödzonerna för din joystick (om dessa alternativ finns).



Detta tillbehör är endast avsett att användas för underhållning i spel och det är strängt förbjudet att använda det som professionellt träningsredskap.

GARANTIINFORMATION

Guillemot Corporation S.A., med säte i Place du Granier, B.P. 97143, 35571 Chantepie, Frankrike (hädanefter "Guillemot") garanterar globalt för konsumenten att denna Thrustmaster-produkt ska vara fri från defekter i material och utförande, under en garantiperiod som motsvarar tidsgränsen för att vidta åtgärder mot Guillemot om konsumenten anser att produkten inte är fri från defekter i material och utförande. I länderna i Europeiska unionen motsvarar detta en period på två (2) år från leveransen av Thrustmaster-produkten. I andra länder motsvarar garantiperioden tidsgränsen för att vidta åtgärder mot Guillemot om konsumenten anser att Thrustmaster-produkten inte är fri från defekter i material och utförande enligt de lagar som gäller i landet där konsumenten var bosatt vid inköpsdatumet för Thrustmaster-produkten (om ingen sådan åtgärd existerar i det motsvarande landet ska garantiperioden vara ett (1) år från ursprungligt inköpsdatum av Thrustmaster-produkten).

Trots ovanstående omfattas laddningsbara batterier av en garantiperiod på sex (6) månader från ursprungligt inköpsdatum.

Om produkten skulle visa sig vara defekt under garantiperioden ska du genast kontakta tekniska supporten som då informerar om hur du går vidare. Om defekten bekräftas måste produkten returneras till inköpsstället (eller annat ställe angivet av tekniska supporten).

Inom ramen för denna garanti ska konsumentens defekta produkt, efter tekniska supportens godkännande, antingen ersättas eller repareras så att den fungerar. Om Thrustmaster-produkten under garantiperioden är föremål för sådan renovering, ska alla perioder på minst sju (7) dagar under vilka produkten inte kan användas läggas till återstående garantiperiod (denna period löper från det datum då konsumenten bad om service eller från det datum då produkten ifråga gjorts tillgänglig för reparation, om datumet då produkten gjorts tillgänglig för reparation ligger efter datumet då konsumenten bad om service). Om det är tillåtet enligt gällande lag är Guillemot och dess dotterbolags fulla ansvar (inklusive följskador) begränsat till att reparera eller ersätta Thrustmaster-produkten. Om det är tillåtet enligt gällande lag fransägar sig Guillemot alla garantier för säljbarhet eller lämplighet för ett visst syfte.

Garantin gäller inte: (1) om produkten har modifierats, öppnats, ändrats eller skadats till följd av olämplig användning eller missbruk, försumlighet, olycka, normalt slitage eller annan orsak som inte är relaterad till material- eller tillverkningsfel (inklusive, men inte begränsat till, att kombinera Thrustmaster-produkten med någon olämplig del, i synnerhet nätaggregat, laddningsbara batterier, laddare, eller andra delar som Guillemot inte tillhandahåller för denna produkt); (2) om produkten har använts för annan användning än hemanvändning, inklusive för professionella eller kommersiella ändamål (t.ex. spelrum, träning, tävlingar); (3) om instruktionerna från teknisk support inte följs; (4) programvara, då programvaran har en egen garanti; (5) förbrukningsvaror (delar som byts ut under produktens livslängd: t.ex. engångsbatterier eller öronkuddar till headset eller hörlurar); (6) tillbehör (t.ex. kablar, fodral, påsar, väskor, handledsremmar); (7) om produkten såldes på e offentlig auktion.

Denna garanti är inte överlåtbar.

Konsumentens juridiska rättigheter med avseende på lagar som gäller för försäljning av konsumentvaror i hans land påverkas inte av denna garanti.

Ytterligare garantibestämmelser

Under garantiperioden ska Guillemot i princip inte tillhandahålla några reservdelar eftersom teknisk support är den enda part med behörighet att öppna och/eller renovera Thrustmasters produkter (med undantag för renoveringar som teknisk support ber konsumenten att utföra med hjälp av skriftliga instruktioner – till exempel om renoveringen är enkel och ej konfidentiell – och genom att i gällande fall förse konsumenten med de reservdelar som behövs).

Med tanke på dess innovationscykler och för att skydda dess kunskaper och affärshemligheter, ska Guillemot i princip inte tillhandahålla några renoveringsinstruktioner eller reservdelar för någon Thrustmaster-produkt vars garantiperiod har löpt ut.

I USA och Kanada är denna garanti begränsad till produktens interna mekanism och externa hölje. Guillemot eller dess dotterbolag ska under inga omständigheter hållas ansvariga av tredje part vad gäller eventuella följdskador eller oförutsedda skador som uppstår till följd av brott mot uttryckliga eller underförstådda garantier. Vissa delstater/provinser tillåter inte att man begränsar hur länge en underförstådd garanti varar eller att man utesluter eller ansvarsbegränsar följdskador eller oförutsedda skador, så ovanstående begränsningar eller uteslutningar kanske inte gäller dig. Denna garanti ger dig specifika juridiska rättigheter, och du kan också ha andra rättigheter som varierar från delstat till delstat eller provins till provins.

Ansvar

Om det är tillåtet enligt gällande lag fränsäger sig Guillemot Corporation S.A. (hädanefter "Guillemot") och dess dotterbolag allt ansvar för eventuella skador orsakade av följande: (1) produkten har modifierats, öppnats eller ändrats; (2) underlåtenhet att följa monteringsanvisningarna; (3) olämplig användning eller missbruk, försumlighet, en olycka (t.ex. att produkten tappas); (4) normalt slitage; (5) produkten har använts för annan användning än hemanvändning, inklusive för professionella eller kommersiella ändamål (t.ex. spelrum, träning, tävlingar). Om det är tillåtet enligt gällande lag fränsäger sig Guillemot och dess dotterbolag allt ansvar för eventuella skador som inte är relaterade till material- eller tillverkningsfel när det gäller produkten (inklusive, men inte begränsat till, skador som direkt eller indirekt orsakats av någon programvara eller genom att kombinera Thrustmaster-produkten med någon olämplig del, i synnerhet nätaggregat, laddningsbara batterier, laddare, eller andra delar som Guillemot inte tillhandahåller för denna produkt).

THRUSTMASTER®

TEKNISK SUPPORT

<https://support.thrustmaster.com>



UPPHOVS RÄTTSSKYDD

© 2020 Guillemot Corporation S.A. Med ensamrätt. Thrustmaster® är ett registrerat varumärke som tillhör Guillemot Corporation S.A. Windows® är ett registrerat varumärke som tillhör Microsoft Corporation i USA och/eller andra länder.

AIRBUS, dess logotyp och produkt- och servicemärken är registrerade varumärken som tillhör Airbus. Med ensamrätt.

© Airbus 2020. Med ensamrätt. Officiellt licensierad av Airbus.

Alla andra varumärken tillhör sina respektive ägare. Illustrationer är inte bindande. Innehåll, konstruktion och specifikationer kan ändras utan föregående meddelande och kan variera från land till land. Tillverkad i Kina.

Officiellt licensierad produkt av Department of the Air Force. Vi varken avser eller antyder att amerikanska flygvapnet stödjer produkten.

MILJÖSKYDD



* I Europeiska unionen: När produkten har slutat fungera ska den inte slängas i vanligt hushållsavfall, utan kasseras vid en uppsamlingsplats för bortskaffandet av elektriskt och elektroniskt avfall (WEEE) för återvinning. Detta bekräftas av symbolen på produkten, bruksanvisningen eller förpackningen.

■ Beroende på dess egenskaper kan materialet kanske återvinnas. Genom återvinning och andra sätt att hantera elektriskt och elektroniskt avfall kan du göra ett viktigt bidrag till att hjälpa till att skydda miljön.

Kontakta dina lokala myndigheter för information om uppsamlingsplatsen som är närmast dig. För alla andra länder: Följ lokala återvinningslagar för elektriskt och elektroniskt avfall.

Behåll denna information. Färger och dekorationer kan variera.

Plastfästen och lim/klister/tejp bör avlägsnas från produkten innan den används.

www.thrustmaster.com

**Gäller endast EU och Turkiet*



TCA SIDESTICK AIRBUS EDITION

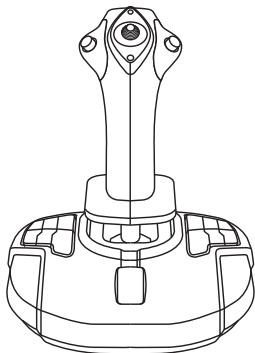
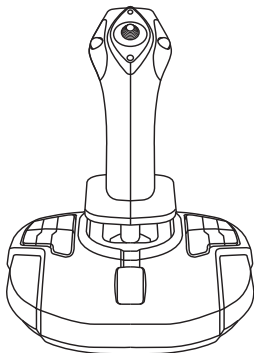
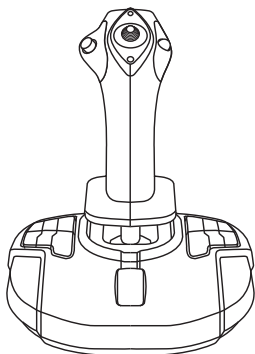
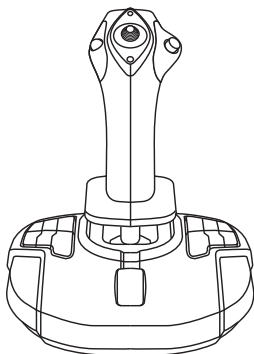
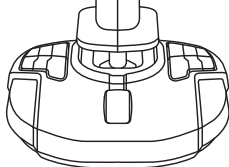
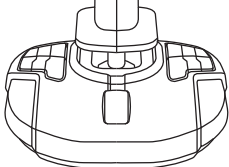
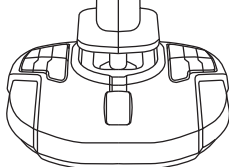
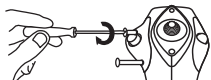
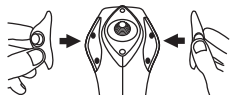
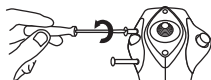


5

A

B

C



TCA SIDESTICK AIRBUS EDITION

**Yhteensopiva: PC
Käyttöohje**

TEKNISET OMINAISUUDET ①

1. Digitaalinen liipaisin
2. Monisuuntainen "näkyvän" hattusäädin
3. Oikea painikemoduuli
4. Vasen painikemoduuli
5. Sivuperäsimen ohjaus sauvaa kääntämällä, käsituki + lukitusjärjestelmä
6. Kaasu (yhdellä virtuaalipainikkeella)
7. 15 toimintopainiketta
8. PC USB -liitin
9. Oikea- tai vasenkätisten painikkeiden valintakytkin

TUTUSTU PELIOHJAJAIMEESI

YKSINOIKEUDELLINEN TARKKUUSTEKNOLOGIA

H.E.A.R.T: Halleffect AccuRate Technology

TCA Sidestick Airbus Edition -ohjain sisältää sellaisen tarkkuuden tason mahdollistavaa teknologiaa, jolle mikään peliohjain maailmassa ei vedä tällä hetkellä vertoja, mukaan lukien:

- Sauvan 3D (Hall-ilmio) -magneettianturit tarjoavat yli 268 miljoonan arvon resoluution X- ja Y-akseleilla (16 384 x 16 384) siinä, missä kilpailevat järjestelmät (jopa huippuluokan järjestelmät) tarjoavat vain noin 1 miljoonan arvon resoluutioita (1 024 x 1 024).
- Magneetti: kitkattomuus tarjoaa rajatonta tarkkuutta ja uskomatonta vastetta, joka kestää.
- Sauvassa on kierrejousi (2,8 mm): vakaa, lineaarinen ja äärimmäisen sulava jäykkyys.

KAASU

Ohjain sisältää kaasun (6), jolla voi helposti hallita lentokoneen moottorin tehoa.

Virtuaalipainike (numero 17, kaavio 3) on käytössä kaasun liikeradan ensimmäisen 20 prosentin kohdalla. Sen avulla voidaan esimerkiksi käyttää moottorijarrua.

SIVUPERÄSINTOIMINTO

Ohjain sisältää sivuperäsintoiminnon (5): pilotti käyttää lentokoneen sivuperäsintä kääntääkseen konetta vertikaalisen akselinsa ympäri (ja saa sen siten kääntymään vasemmalle tai oikealle).

Tätä peräsintoimintoa voi käyttää ohjaimelta pyörittämällä (l. kiertämällä) kahvaa vasemmalle tai oikealle.

LUKITSE/AVAA SIVUPERÄSINTOIMINTO ②

Sivuperäsintoiminto voidaan poistaa käytöstä ohjaimen kahvan takaosasta löytyvää lukituspainiketta käyttämällä.

Lukitse sivuperäsimen akseli paikoilleen tätä painiketta painamalla.

Aseta painike takaisin yläasentoonsa (oletus) avatakseksi sivuperäsimen akselin.

MONISUUNTAINEN "NÄKYMÄN" HATTUSÄÄDIN

Ohjain sisältää monisuuntaisen "näkymän" hattusäätimen (2), jolla voi nimestä päätellen katsoa välittömästi ympäri lentokonetta (tätä toimintoa käytävissä peleissä). Käytä ominaisuutta menemällä pelin asetusvalikkoon ja ohjelmoi eri näkymät (takanäkymä, vasen näkymä, oikea näkymä ja ulkonäkymät) monisuuntaisen hattusäätimen eri suuntiin.

Voit halutessasi käyttää "näkymän" hattusäädintä myös muissa toiminnoissa (tulitus jne.).

MOLEMPIKÄTINEN JÄRJESTELMÄ

TCA Sidestick Airbus Edition -ohjainta voidaan käyttää molemmilla käsillä, minkä avulla se sopeutuu täysin sekä oikea- että vasenkätisten pelaajien käyttöön.

Siitä löytyy sitä varten kolme säädettävää elementtiä: jalusta määrittämissä painikkeet, oikea painikemoduuli ja vasen painikemoduuli.

PAINIKKEIDEN ASETUKSET OIKEAKÄTISESSÄ TILASSA ③

Aseta jalustan 12 painiketta OIKEAKÄTISEEN (tai perämiehen) tilaan asettamalla ohjaimen jalustasta löytyvä valintakytkin (9) **RIGHT HANDED** -tilaan ennen ohjaimen yhdistämistä. Tuotteesi tunnistetaan T.A320 Copilot -ohjaimeksi.

PAINIKKEIDEN ASETUKSET VASENKÄTISESSÄ TILASSA ④

Aseta jalustan 12 painiketta VASENKÄTISEEN (tai lentäjän) tilaan asettamalla ohjaimen jalustasta löytyvä valintakytkin (9) **LEFT HANDED** -tilaan ennen ohjaimen yhdistämistä. Tuotteesi tunnistetaan T.A320 Pilot -ohjaimeksi.

MODUULIEN VAIHTAMINEN ⑤

Ohjain on oletusarvoisesti määritetty lentäjätilaan.

Vaihda asetusta neljän saatavilla olevan vaihtoehdon välillä:

- A. Avaa pientä ruuvimeisseliä käyttämällä varovasti kaksi painikemoduulin ruuvia, jotka ovat ohjaimen nupin vasemmalla puolella.
- B. Vaihda moduulit haluamasi määrityksen mukaan.
- C. Aseta ruuvit takaisin ja kiinnitä ne täysin.

PC

PC-ASENNUS

1. Yhdistä USB-liitin (**8**) yhteen tietokoneen USB-porteista.
Windows 8 tai 10 tunnistaa uuden laitteen automaattisesti.
2. Ajurit asennetaan automaattisesti.
Suorita asennus loppuun ruudulle ilmestyviä ohjeita seuraamalla.
3. Napsauta **Aloita/Asetukset/Ohjauspaneeli** ja kaksoisnapsauta sitten **Peliohjaimet**.
*Ohjaimen nimi esitetään **Peliohjaimet**-laatikossa **OK**-statuksella.*
4. Testaa ja katso ohjaimen toimintoja **Ohjauspaneelissa** napsauttamalla kohtaa **Ominaisuudet**.
Olet nyt pelivalmis!

TÄRKEÄ HUOMAUTUS

Kun yhdistät ohjainta, aseta sauva ja sivuperäsin aina keskiasentoon ja vältä liikuttamasta niitä (välttääksesi kalibrointiongelmia).

ONGELMANRATKAISU JA VAROITUKSET

- **Peliohjaimeni ei toimi oikein tai se vaikuttaa väärin kalibroidulta:**
 - Sammuta tietokone ja irrota ohjain; käynnistä sitten tietokone uudelleen, yhdistä ohjain takaisin ja käynnistä peli.
 - Kun yhdistät ohjainta, aseta sauva ja sivuperäsin aina keskiasentoon ja vältä liikuttamasta niitä (välttääksesi kalibrointiongelmia).
- **En voi säätää ohjainta:**
 - Mene pelissä valikkoon **Options / Controller / Gamepad** tai **Joystick**: valitse sopiva asetus tai määritä ohjaimen asetukset täysin uusiksi.
 - Lisää tietoa löytää pelin käyttöohjeesta tai verkon apupalvelusta.
- **Ohjain on liian herkkä tai ei ole tarpeeksi herkkä:**
 - Ohjain kalibroi itsensä, kun olet liikuttanut sitä muutaman kerran eri akseleilla.
 - Mene pelissä valikkoon **Options / Controller / Gamepad** tai **Joystick**: säädä ohjaimen herkkyyttä ja kuolleita alueita (jos nämä asetukset ovat saatavilla).



Tämä lisälaitte on tarkoitettu pelkästään peliviihdekäyttöön, ja sen käyttö minkäänlaisissa ammatillisissa koulutustoimissa on täysin kiellettyä.

KULUTTAJAN TAKUUTIEDOT

Maailmanlaajuinen, Guillemot Corporation S.A., jonka rekisteröity toimisto sijaitsee osoitteessa Place du Granier, B.P. 97143, 35571 Chantepie, France (tästä eteenpäin "Guillemot"), takaa asiakkaalle, että tämä Thrustmaster-tuote on materiaaleista ja työn laadusta johtuvista vioista vapaa takuuajan verran. Kaikki toimet sen noudattamiseksi on nostettava tämän aikarajan sisällä. Euroopan Union jäsenvaltioissa se vastaa kahta (2) vuotta Thrustmaster-tuotteen toimituksesta. Muissa maissa takuu aika vastaa Thrustmaster-tuotteen noudattamisvaatimusten aikarajaa sen maan asiaankuuluvien lakien mukaisesti, jonka asukas kuluttaja oli Thrustmaster-tuotteen ostopäivänä (mikäli kyseisessä maassa ei ole tällaisia vaatimuksia, takuuajan kesto on yksi (1) vuosi Thrustmaster-tuotteen ostopäivästä).

Yllä olevasta huolimatta ladattavilla akuilla on kuuden (6) kuukauden takuu ostopäivästä lähtien.

Mikäli tuote vaikuttaa takuuajan aikana vialliselta, ota välittömästi yhteyttä tekniseen tukeen, joka kertoo noudettavista toimenpiteistä. Jos vika vahvistetaan, tuote täytyy palauttaa sen ostopaikkaan (tai muuhun teknisen tuen osoittamaan paikkaan).

Tämän takuun puiteissa kuluttajan viallinen tuote joko korvataan uudella tai palautetaan toimintakuntoon teknisen tuen valinnan mukaan. Jos takuuajan aikana Thrustmaster-tuotteelle tehdään korjaustoimia, mikä tahansa vähintään seitsemän (7) päivää kestänyt jakso, jolloin tuote ei ole käytettävissä, lisätään jäljellä olevaan takuu aikaan (jakso alkaa siitä päivästä, kun asiakas pyytää tukitoimia tai kun kyseessä oleva tuote luovutetaan korjattavaksi, mikäli korjaukseen luovuttamisen päivämäärä on myöhäisempi kuin tukitoimipyynnön). Mikäli asiaankuuluva laki sen sallii, Guillemotin ja sen tytäryhtiöiden täysi vastuuvollisuus (mukaan lukien väilliset vahingot) rajoittuvat Thrustmaster-tuotteen toiminnan palauttamiseen tai sen korvaamiseen uudella. Mikäli asiaankuuluva laki sen sallii, Guillemot kiistää kaikki takuut tuotteen myytävyydestä tai sopivuudesta tiettyyn tarkoitukseen.

Tämä takuu ei ole voimassa: (1) mikäli tuotetta on muokattu, avattu, muunneltu tai se on kärsinyt vahinkoa epäasiallisen tai huonon käytön, huolimattomuuden, onnettomuuden, tavallisen kulumisen tai minkä tahansa muun syyn johdosta, joka ei liity materiaali- tai valmistusvirheisiin (mukaan lukien, mutta rajoittumatta, Thrustmaster-tuotteen yhdistäminen epäsopivan osan kanssa, erityisesti virtalähteet, ladattavat akut, laturit tai muut tuotteet, joita Guillemot ei ole toimittanut tälle tuotteelle); (2) mikäli tuotetta on käytetty missä tahansa muussa kuin kotikäytössä, mukaan lukien ammattimaisessa tai kaupallisessa käytössä (esim. pelihuoneet, koulutus ja kilpailut); (3) mikäli vian ilmetessä teknisen tuen ohjeita ei ole noudatettu; (4) ohjelmistojen kohdalla, kyseisellä ohjelmistolla on erillinen takuu; (5) käyttöesineiden kohdalla (tuotteen eliniän aikana vaihdettavat osat: esim. kertakäyttöiset paristot, kuulokkeet tai kuuloketyyny); (6) lisälaiteiden kohdalla (esim. kaapelit, kotelot, pussit, laukut ja rannekkeet); (7) mikäli tuote myytiin julkisessa huutokaupassa.

Tätä takuuta ei voi siirtää.

Tämä takuu ei vaikuta kuluttajan laillisiin oikeuksiin hänen maassaan, mitä tulee kuluttajatuotteiden myyntiin.

Ylimääräiset takuehdot

Takuuajan aikana Guillemot ei lähtökohtaisesti tarjoa varaosia, sillä tekninen tuki on ainoa osapuoli, joka on valtuutettu avaamaan ja/tai korjaamaan Thrustmaster-tuotteita (pois lukien sellaiset korjaustoimet, joita tekninen tuki saattaa pyytää kuluttajaa tekemään kirjallisten ohjeiden kautta – esimerkiksi korjaustoimen yksinkertaisuuden ja salassapitotarpeiden

puuttumisen vuoksi – ja toimittamalla kuluttajalla vaadittavat varaosat, jos ne ovat tarpeellisia).

Innovaatiosykleistä johtuen ja suojellakseen tietotaitoaan sekä liikesalaisuuksiaan Guillemot ei lähtökohtaisesti tarjoa mitään tai varaosia Thrustmaster-tuotteille, joiden takuu-aika on umpeutunut.

Yhdysvalloissa ja Kanadassa tämä takuu rajoittuu tuotteen sisäisiin mekanismeihin ja ulkoisiin koteloihin. Guillemotia ja sen osakkuusyhtiötä ei missään tilanteessa saa pitää vastuuvollisena kolmannelle osapuolelle välillisistä tai satunnaisista vahingoista, jotka ovat johtuneet nimenomaisten tai epäsuorien takuiden rikkomuksesta. Jotkin osavaltiot/provinssit eivät salli rajoituksia epäsuorien takuiden kesto- tai korvausvelvollisuuden rajoituksia tai rajoituksia välillisissä tai satunnaisissa vahingoissa, joten yllä olevat rajoitukset ja rajaukset ei välttämättä päde kohdallasi. Tämä takuu antaa sinulle tiettyjä laillisia oikeuksia, ja sinulla saattaa olla muita osavaltiosta (tai maasta tai provinssista) riippuvia oikeuksia.

Vastuuvollisuus

Mikäli asiaankuuluva laki sen sallii, Guillemot Corporation S.A. (tästä eteenpäin "Guillemot") ja sen tytäryhtiöt kiistävät vastuunsa kaikista vahingoista, jotka johtuvat yhdestä tai useammasta seuraavasta: (1) tuotetta on muokattu, avattu tai muunneltu; (2) kokoamisohjeita ei ole noudatettu; (3) epäasiallisen tai huonon käytön, huolimattomuuden tai onnettomuuden (esim. isku) johdosta; (4) tavallisen kulumisen johdosta; (5) tuotetta on käytetty missä tahansa muussa kuin kotikäytössä, mukaan lukien ammattimaisessa tai kaupallisessa käytössä (esim. pelihuoneet, koulutus ja kilpailut). Mikäli asiaankuuluva laki sen sallii, Guillemot ja sen tytäryhtiöt kiistävät vastuunsa kaikista vahingoista, jotka eivät liity tuotteen materiaali- tai valmistusvirheisiin (mukaan lukien, mutta rajoittumatta, ohjelmiston suoraan tai epäsuoraan aiheuttamat vahingot, tai yhdistämällä Thrustmaster-tuote minkä tahansa epäsopivan osan kanssa, mukaan lukien tietyt virtalähteet, ladattavat akut, laturit tai muut osat, joita Guillemot ei ole toimittanut tälle tuotteelle).

THRUSTMASTER®

TEKNINEN TUKI

<https://support.thrustmaster.com>



TEKIJÄNOIKEUS

© 2020 Guillemot Corporation S.A. Kaikki oikeudet pidätetään. Thrustmaster® on Guillemot Corporation S.A.:n rekisteröity tavaramerkki. Windows® on Microsoft Corporationin rekisteröity tavaramerkki Yhdysvalloissa ja/tai muissa maissa.

AIRBUS, sen logo sekä tuote- että palvelumerkit ovat Airbusin rekisteröityjä tavaramerkkejä. Kaikki oikeudet pidätetään.

© Airbus 2020. Kaikki oikeudet pidätetään. Airbusin virallisesti lisensoima.

Kaikki muut tavaramerkit ovat haltijoidensa omaisuutta. Kuvitukset eivät ole sitovia. Sisältö, mallit ja tavaraselosteet voivat muuttua ilman erillistä ilmoitusta ja vaihdella maasta toiseen. Valmistettu Kiinassa.

Department of the Air Forcen virallisesti lisensoima tuote. Tämä ei tarkoita Yhdysvaltojen ilmavoimien nimenomaista tai implisiittistä suositusta.

YMPÄRISTÖNSUOJELUSUOSITUS



* Euroopan unionissa: Käyttöikänsä päätyttyä tätä tuotetta ei pidä laittaa kodin sekajätteeseen, vaan se tulee viedä sähkö- ja elektroniikkalaiteromun (SER/WEEE) keräyspisteeseen kierrätettäväksi.

Tämä vahvistetaan tuotteesta, käyttöohjeesta sekä pakkauksesta löytyvällä symbolilla.

■ Ominaisuuksistaan riippuen materiaalit voidaan kierrättää. Voit kierrätyksen ja muun sähkö- ja elektroniikkaromun käsittelyn avulla auttaa merkittävästi ympäristön suojelussa.

Ota yhteyttä paikallisiin viranomaisiin saadaksesi tietoa lähimmästä keräyspisteestä.

Muissa maissa: Noudata paikallisia sähkö- ja elektroniikkaromun kierrätyslakeja.

Pidä nämä tiedot tallessa. Värit ja koristeet voivat vaihdella.

Muoviset kiinnittimet ja tarrat tulee poistaa ennen tuotteen käyttöä.

Tämä tuote vastaa kaikkia standardeja vähintään 16-vuotiaiden lasten käytölle. Tämä tuote ei sovellu alle 16-vuotiaiden lasten käyttöön.

www.thrustmaster.com

* Voimassa vain EU:ssa ja Turkissa

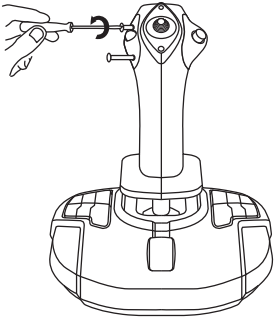


TCA SIDESTICK AIRBUS EDITION

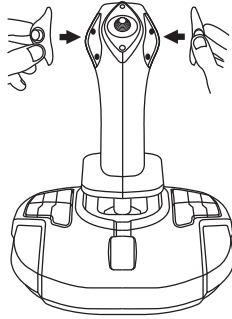


5

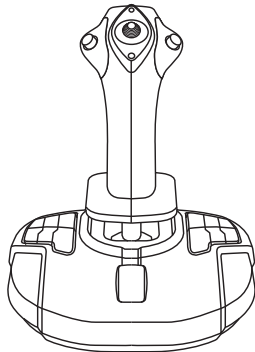
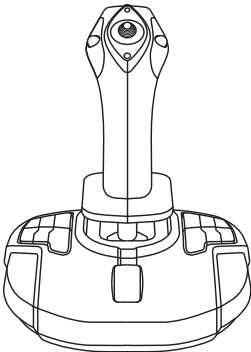
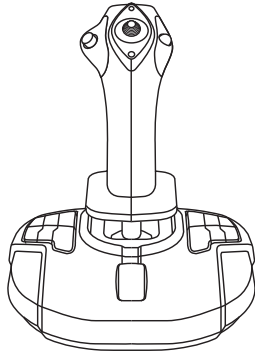
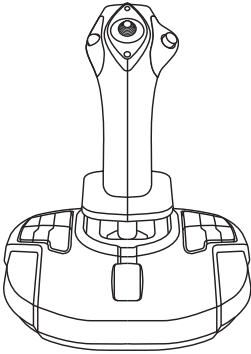
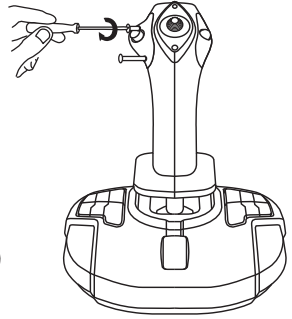
A



B



C



TCA SIDESTICK AIRBUS EDITION

Kompatibilita: PC
Návod na použitie

TECHNICKÉ VLASTNOSTI **1**

1. Digitálna spúšť
2. Multimerový klobúkový prepínač pre zmenu pohľadu "Point of View"
3. Modul pravého tlačidla
4. Modul ľavého tlačidla
5. Ovládanie kormidla pomocou otočnej rukoväte s opierkou na ruku + blokovací systém
6. Škrtiaca klapka (s 1 virtuálnym tlačidlom)
7. 15 akčných tlačidiel
8. PC USB konektor
9. Prepínač výberu tlačidiel pre pravákov alebo ľavákov

ZOZNÁMENIE SA S VAŠIM JOYSTICKOM

EXKLUZÍVNE PRECÍZNA TECHNOLOGIA:
H.E.A.R.T: HallEffect AccuRate Technology

Váš joystick TCA Sidestick Airbus Edition obsahuje technológiu, ktorá mu poskytuje úroveň presnosti, ktorá je v súčasnosti vo svete herných joystickov neprekonateľná, vrátane:

- 3D (Hall efekt) magnetických senzorov na páke s rozlíšením viac ako 268 miliónov hodnôt na osiach X a Y (hodnoty 16 384 x 16 384), zatiaľ čo súčasné konkurenčné systémy (dokonca aj špičkové systémy) poskytujú rozlíšenia iba okolo 1 milióna hodnôt (1 024 x 1 024 hodnôt).

- Magnetu: žiadne trenie pre neobmedzenú presnosť a neuveriteľnú citlivosť, ktorá vydrží.

- Vinutej pružiny na páke (2,8 mm): pre pevné, lineárne a extra plynulé napätie.

ŠKRTIACA KLAPKA

Váš joystick je vybavený škrtiacou klapkou **(6)**, pomocou ktorej môžete ľahko ovládať ľah motora Vášho lietadla.

Na prvých 20 percent pohybu klapky je aktivované virtuálne tlačidlo (číslo 17, schéma 3), aby sa napríklad aktivoval spätný chod.

FUNKCIA KORMIDLA

Váš joystick je vybavený funkciou kormidla (5): v lietadle pilot manipuluje s kormidlom tak, aby natáčal rovinu okolo svojej vertikálnej osi (aby sa rovina otočila doľava alebo doprava). Táto funkcia kormidla je k dispozícii na Vašom joysticku otáčaním (t. j. krútením) páky doľava alebo doprava.

ZAMKNUTIE / ODOMKNUTIE FUNKCIE KORMIDLA 2

Funkciu kormidla je možné deaktivovať pomocou blokovacieho tlačidla na zadnej strane rukoväte joysticku.

Stlačením tohto tlačidla nadol zablokujete os kormidla.

Toto tlačidlo prepnete späť do hornej (t. j. predvolenej) polohy, aby ste odomkli os kormidla.

MULTISMEROVÝ KLOBÚKOVÝ PREPÍNAČ "POINT OF VIEW"

Váš joystick je vybavený klobúkovým prepínačom „Point of View“ (2), ktorý, ako naznačuje jeho názov, Vám umožňuje okamžite zobrazit' všetko, čo sa deje v okolí Vášho lietadla (v hrách, kde je táto funkcia povolená). Ak chcete použiť túto funkciu, jednoducho choďte do ponuky nastavení Vašej hry a naprogramujte rôzne pohľady (pohľad zozadu, pohľad doľava, pohľad doprava a tiež externý pohľad) podľa smerov klobúkového prepínača „Point of View“.

Ak si budete priať, môžete si namiesto toho vyhraďiť klobúkový prepínač „Point of View“ na iné účely (strelba, atď.).

OBOJRUČNÝ SYSTÉM

Váš joystick TCA Sidestick Airbus Edition má tú výhodu, že je úplne obojstranný, čo mu umožňuje dokonale sa prispôbiť všetkým hráčom, či už ide o pravákov alebo ľavákov.

Za týmto účelom je možné upraviť tri prvky: konfiguráciu tlačidiel na základni, modul pravého tlačidla a modul ľavého tlačidla.

KONFIGURÁCIA TLAČIDIEL V REŽIME PRE PRAVÁKOV 3

Ak chcete nastaviť polohy 12 tlačidiel umiestnených na základni do režimu PRE PRAVÁKOV (alebo režimu druhého pilota/prvého dôstojníka), prepnite prepínač (9) umiestnený pod základňou joysticku do polohy **RIGHT HANDED** pred pripojením joysticku. Váš produkt bude potom rozpoznávaný ako T.A320 Copilot.

KONFIGURÁCIA TLAČIDIEL V REŽIME PRE ĽAVÁKOV 4

Ak chcete nastaviť polohy 12 tlačidiel umiestnených na základni do režimu PRE ĽAVÁKOV (alebo režimu pilota), prepnite prepínač (9) umiestnený pod základňou joysticku do polohy **LEFT HANDED** pred pripojením joysticku. Váš produkt bude potom rozpoznávaný ako T.A320 Pilot.

VÝMENA MODULOV 5

V predvolenom nastavení je joystick nakonfigurovaný v pilotnom režime.

Pre zmenu konfigurácie medzi štyrmi rôznymi dostupnými možnosťami:

- A. Pomocou malého skrutkovača opatrne odskrutkujte dve skrutky na module tlačidiel na ľavej strane hlavice joysticku.
- B. Zmeňte moduly podľa Vašej preferovanej konfigurácie.
- C. Zaskrutkujte späť skrutky a úplne ich dotiahnite.

PC

INŠTALÁCIA NA PC

1. Pripojte konektor USB (**8**) k jednému z portov USB počítača.
Windows 8 alebo 10 automaticky zistí nové zariadenie.
2. Ovládače sa nainštalujú automaticky.
Dokončíte inštaláciu podľa pokynov na obrazovke.
3. Kliknite na **Štart / Nastavenia / Ovládací panel** a dvakrát kliknite na **Ovládače hier**.
*V dialógovom okne Ovládače hier sa zobrazí názov joysticku so stavom **OK**.*
4. Na **Ovládacom paneli** kliknite na položku **Vlastnosti** pre otestovanie a zobrazenie všetkých funkcií Vášho joysticku.

Teraz ste pripravení hrať!

DÔLEŽITÁ POZNÁMKA

Pri pripájaní joysticku vždy umiestnite páku a kormidlo do ich stredovej polohy a vyvarujte sa ich pohybu (aby ste predišli problémom s kalibráciou).

RIEŠENIE PROBLÉMOV A VAROVANIE

- **Môj joystick nefunguje správne alebo sa zdá byť nesprávne nakalibrovaný:**
 - Vypnite počítač a odpojte joystick; potom počítač znova zapnite, znova pripojte joystick a reštartujte svoju hru.
 - Pri pripájaní joysticku: páku a kormidlo vždy nastavte do stredovej polohy a vyvarujte sa ich pohybu (aby ste predišli problémom s kalibráciou).
- **Nemôžem nakonfigurovať môj joystick:**
 - V ponuke vo Vašej hre **Možnosti / Ovládač / Gamepad** alebo **Joystick**: vyberte príslušnú konfiguráciu alebo úplne prekonfigurujte možnosti ovládača.
 - Ďalšie informácie nájdete v návode na použitie k Vašej hre alebo pomocného programu online.
- **Môj joystick je príliš citlivý alebo málo citlivý:**
 - Váš joystick sa automaticky kalibruje, vždy keď urobíte nejaké pohyby po rôznych osiach.
 - V ponuke vo Vašej hre **Možnosti / Ovládač / Gamepad** alebo **Joystick**: upravte citlivosť a mŕtve zóny svojho joysticku (ak sú tieto možnosti k dispozícii).



Toto periférne zariadenie je určené iba na účely hemej zábavy a jeho použitie je prísne zakázané pre akýkoľvek druh odborných vzdelávacích aktivít.

INFORMÁCIE O ZÁRUKU

Celosvetovo, spoločnosť Guillemot Corporation S.A., ktorej sídlo sa nachádza na adrese Place du Granier, B.P. 97143, 35571 Chantepie, Francúzsko (ďalej len "Guillemot") zaručuje spotrebiteľovi, že počas záručnej doby, ktorá je zhodná s časovým limitom na podanie reklamácie na tento produkt, tento Thrustmaster produkt nemá materiálne chyby ani výrobné chyby.

V krajinách Európskej únie záručná doba zodpovedá obdobiu dvoch (2) rokov od dodania produktu Thrustmaster. V iných krajinách zodpovedá záručná doba lehote pre podanie reklamácie na produkt Thrustmaster podľa platných zákonov krajiny, v ktorej mal spotrebiteľ bydlisko k dátumu kúpy produktu Thrustmaster (ak takýto zákon v príslušnej krajine neexistuje, potom je záručná doba jeden (1) rok od pôvodného dátumu zakúpenia produktu Thrustmaster).

Bez ohľadu na vyššie uvedené, sa na nabíjateľné batérie vzťahuje záručná doba šiestich (6) mesiacov od dátumu nákupu.

Ak počas záručnej doby dôjde na produkte ku chybe, okamžite kontaktujte Technickú podporu, ktorá Vám oznámi ďalší postup. Ak je chyba potvrdená, produkt musí byť vrátený v mieste jeho nákupu (alebo na inom mieste uvedenom Technickou podporou).

V kontexte tejto záruky má Technická podpora možnosť rozhodnúť, či bude chybný produkt spotrebiteľa buď vymenený alebo opravený do funkčného stavu. Ak v priebehu záručnej doby podlieha produkt Thrustmaster takejto oprave, každá doba najmenej siedmich (7) dní, počas ktorých je výrobok nepoužiteľný, bude doplnená do zostávajúcej záručnej doby (toto obdobie začína plynúť od dátumu žiadosti spotrebiteľa alebo dátumom, kedy je daný výrobok dodaný na opravu, ak je dátum, kedy je výrobok dodaný na opravu po dátume podania žiadosti). Ak to umožňujú platné právne predpisy, plná zodpovednosť spoločnosti Guillemot a jej dcérskych spoločností (vrátane následných škôd) je obmedzená na návrat produktu do funkčného stavu alebo na výmenu produktu Thrustmaster. Ak to dovoľuje platné právo, spoločnosť Guillemot neposkytuje záruku obchodovateľnosti a spôsobilosti pre určité použitie.

Táto záruka sa nevzťahuje na: 1. ak bol výrobok opravený, otvorený, pozmenený alebo poškodený v dôsledku nevhodného alebo hrubého používania, nedbanlivosti, nehody, bežného opotrebenia, alebo akejkolvek inej príčiny nesúvisiacej s materiálnou alebo výrobnou chybou (vrátane, nie však výlučne, kombinácie výrobku Thrustmaster s akýmkoľvek nevhodným prvkom, vrátane napájacích zdrojov, nabíjateľných batérií, nabíjačiek, alebo iných prvkov, ktoré Guillemot nedodáva pre tento výrobok); (2) ak bol výrobok použitý na akékoľvek iné použitie ako na domáce použitie, a to aj na profesionálne, alebo komerčné účely (napríklad herne, školenia, súťaže); (3) v prípade nedodržania pokynov poskytnutých Technickou podporou; (4) softvér, pričom uvedený softvér podlieha osobitnej záruke; (5) spotrebné materiály (prvky, ktoré sa majú vymeniť počas životnosti výrobku: napríklad jednorazové batérie, zvukové súpravy alebo slúchadlá); (6) na príslušenstvo (napríklad káble, puzdrá, vrecká, tašky, popruhy na zápästie); (7) ak bol výrobok predaný vo verejnej dražbe.

Táto záruka nie je prenosná.

Zákonné práva spotrebiteľa, pokiaľ ide o zákony platné pre predaj spotrebného tovaru v jeho alebo jej krajine, nie sú touto zárukou ovplyvnené.

Ďalšie záručné ustanovenia

Počas záručnej lehoty, Guillemot neposkytuje žiadne náhradné diely, vzhľadom na skutočnosť, že Technická podpora je jediná strana oprávnená otvoriť a/alebo opraviť akýkoľvek Thrustmaster produkt (Výnimkou je prípadné požiadanie Technickej podpory o nasledovanie písomných pokynov na opravy, ktoré má vykonať užívateľ - napríklad pre ich jednoduchosť a dostupné opravné postupy – a v prípade potreby dodanie náhradných dielov užívateľovi).

Kvôli inovačným cyklom a vzhľadom na ochranu know-how a obchodného tajomstva spoločnosti, Guillemot neposkytuje opravné postupy alebo náhradné diely na Thrustmaster produkty po uplynutí ich záručnej lehoty.

V Spojených štátoch amerických a v Kanade je táto záruka obmedzená na vnútorný mechanizmus výrobku a vonkajší kryt produktu. Guillemot ani jeho pridružené spoločnosti v žiadnom prípade nenesú zodpovednosť voči akejkolvek tretej strane za priame či nepriame vady plynúce z porušenia podmienok záruky. V niektorých krajinách, kde nie je prípustné obmedzenie alebo vylúčenie nepriamych škôd, či obmedzenie trvania záruk a podmienok, vyššie uvedené vylúčenie neplatí. Touto zárukou sú užívatelia poskytnuté špecifické práva spolu s právami plynúcimi z právnej úpravy jednotlivých krajín.

Zodpovednosť

Ak to dovoľujú platné zákony, spoločnosť Guillemot Corporation S.A. (ďalej len "Guillemot") a jej dcérske spoločnosti nenesú žiadnu zodpovednosť za akékoľvek škody spôsobené jedným alebo viacerými z nasledujúcich prípadov: 1. výrobok bol upravený, otvorený alebo pozmenený; (2) nedodržali sa montážne inštrukcie; (3) nevhodné alebo hrubé používanie, nedbalosť, nehoda (napríklad náraz); (4) bežné opotrebenie; (5) používanie výrobku na akékoľvek iné použitie ako na domáce použitie, a to aj na profesionálne, alebo komerčné účely (napríklad herne, školenia, súťaže). Ak to dovoľujú platné zákony, spoločnosť Guillemot a jej dcérske spoločnosti nenesú žiadnu zodpovednosť za akékoľvek škody, ktoré nesúvisia s materiálnou alebo výrobnou vadou vo vzťahu k výrobku (vrátane, nie však výlučne, za akékoľvek škody spôsobené priamo alebo nepriamo akýmkoľvek softvérom, alebo kombinácie výrobku Thrustmaster s akýmkoľvek nevhodným prvkom, vrátane napájacích zdrojov, nabíjateľných batérií, nabíjačiek alebo iných prvkov, ktoré Guillemot nedodáva pre tento výrobok).

THRUSTMASTER®

TECHNICKA PODPORA

<https://support.thrustmaster.com>



COPYRIGHT

© 2020 Guillemot Corporation S.A. Všetky práva vyhradené. Thrustmaster® je registrovanou ochrannou známkou spoločnosti Guillemot Corporation S.A. Windows® je registrovaná ochranná známka spoločnosti Microsoft Corporation v USA a/alebo v iných krajinách.

AIRBUS, jeho logo, produktové a servisné značky sú registrované ochranné známky spoločnosti Airbus. Všetky práva vyhradené.

© Airbus 2020. Všetky práva vyhradené. Oficiálne licencované spoločnosťou Airbus.

Každé ďalšie ochranné známky sú majetkom ich príslušných vlastníkov. Ilustrácie nie sú záväzné. Obsah, dizajn a špecifikácie sa môžu zmeniť bez predchádzajúceho upozornenia a môžu sa v jednotlivých krajinách líšiť. Vyrobené v Číne.

Oficiálne licencovaný produkt Úradom vojenského letectva. Schválenie Vzdušnými silami Spojených štátov nie je ani zamýšľané, ani naznačené.

ODPORÚČANIE PRE OCHRANU ŽIVOTNÉHO PROSTREDIA



* V Európskej únii: Na konci svojej životnosti by sa nemal tento produkt vyhodiť s bežným domovým odpadom, ale mal by byť odovzdaný na recykláciu v zbernom mieste na likvidáciu odpadu z elektrických a elektronických zariadení. Potvrdzujúci symbol o recyklácii nájdete na produkte, na návode na použitie alebo na obale. V závislosti od ich vlastností, môžu byť materiály recyklované. Prostredníctvom recyklácie a iných foriem spracovania odpadu z elektrických a elektronických zariadení môžete významne prispieť k ochrane životného prostredia. Pre získanie informácie o pre vás najbližšom možnom mieste odovzdania, kontaktujte miestne orgány.

Pre všetky ostatné krajiny: Dodržujte miestne zákony o recyklácii elektrických a elektronických zariadení.

Ponechajte si tieto informácie. Farby a ozdobnosť sa môžu líšiť.

Plastové spony a lepiace pásky by sa mali z výrobku pred jeho použitím odstrániť.

Tento produkt vyhovuje všetkým normám týkajúcich sa detí vo veku 16 rokov a starších. Tento výrobok nie je vhodný pre deti mladšie ako 16 rokov.

www.thrustmaster.com

**Použiteľné len pre EÚ a Turecko*



TCA SIDESTICK AIRBUS EDITION

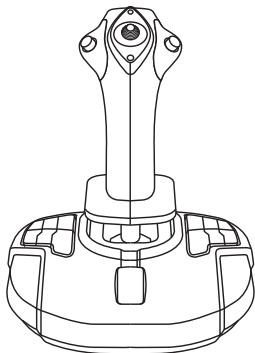
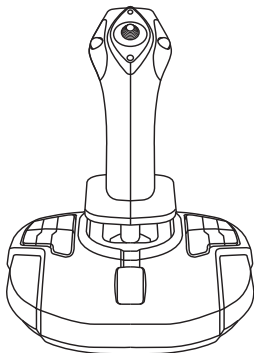
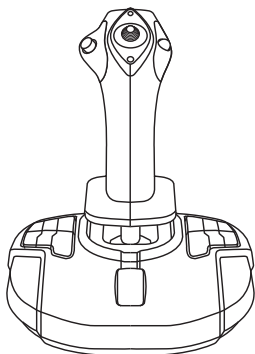
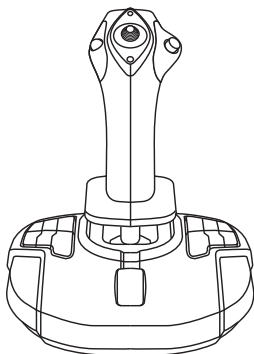
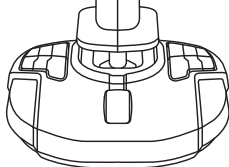
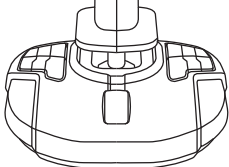
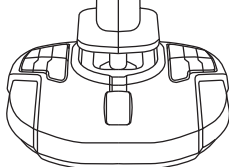
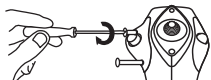
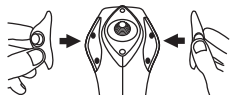
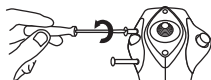


5

A

B

C



TCA SIDESTICK AIRBUS EDITION

**Kompatibilitás: PC
Használati útmutató**

MŰSZAKI JELLEMZŐK ①

1. Digitális ravasz
2. Többirányú "Nézetváltó" kapcsoló
3. Jobb gombos elem
4. Bal gombos elem
5. Oldalkormányzás forgó markolattal, kéztámasszal + zárrendszer
6. Gázadagoló (1 virtuális gombbal)
7. 15 akciógomb
8. PC USB csatlakozó
9. Jobb vagy balkezes kiválasztó kapcsoló

MINDEN, AMIT A JOYSTICKRÓL TUDNI KELL

EXKLUZÍV PRECÍZIÓS TECHNOLÓGIA:
H.E.A.R.T: Halleffect AccuRate Technology

A TCA Sidestick Airbus Edition joystick olyan precíziós technológiát alkalmaz, ami egyedülálló a világon a gaming joystickok körében a következőknek köszönhetően:

- 3D (Hall Effektus) mágneses szenzorok találhatóak a joystickon, 268 milliónál is több értéket érzékel a felbontása az X és Y tengelyen keresztül (16,384 x 16,384 értékek), amíg a jelenlegi versenytárs rendszerek (beleértve a felsőkategóriás rendszereket is) is csak maximum 1 millió értéket képesek kezelni (1,024 x 1,024 értékek).
- A mágnes: nincs sűrűlódás, korlátlan precizitás és hihetetlen érzékenység jellemzi, ami idővel sem csökken.
- Tekercsrugó (2.8 mm) a markolatban: a kemény, lineáris és folyamatos ellenállásért.

GÁZADAGOLÓ

A joystick rendelkezik egy gázadagolóval (6), aminek a segítségével könnyedén lehet a repülő hajtómű tolóerejét szabályozni.

A virtuális gomb (17-es, 3-as kép) a gázadagoló útjának első 20 százalékában kapcsol be, például azért, hogy a tolóerő megfordítót aktiválja.

OLDALKORMÁNYZÁS FUNKCIÓ

A joystick rendelkezik oldalkormányzás funkcióval (5): a repülőgépen belül a pilóta irányítja az oldalkormányt annak érdekében, hogy a repülő elfordítsa a függőleges tengelye körül (a repülő balra vagy jobbra fordul).

Oldalkormányozni a joystick balra vagy jobbra forgatásával (csavarás) lehet.

AZ OLDALKORMÁNYZÁS LEZÁRÁSA/FELOLDÁSA 2

Az oldalkormányzás funkció kikapcsolható a joystick markolatának hátulján található lezáró gombbal.

Az oldalkormány tengelye a gomb lenyomásával zárható le.

A gomb felengedésével (alapértelmezett helyzet) az oldalkormány tengelye újra üzemképes.

TÖBBIRÁNYÚ "NÉZETVÁLTÓ" KAPCSOLÓ

A joystick rendelkezik egy "Nézetváltó" kapcsolóval is (2) amely, ahogy a neve is mutatja, lehetővé teszi, hogy azonnal körbenézhessünk, mi történik a repülőnk körül (azokban a játékokban, ahol ez engedélyezett). Ahhoz, hogy ez a funkció működjön, egyszerűen menjen be a játék beállításába és programozza be a különféle "nézeteket" (látvány hátulról, jobb- és baloldaltól, és kívülről) a "Nézetváltó" kapcsoló különböző irányaira.

Személyes preferencia alapján, lehetőség van a "Nézetváltó" kapcsoló egyéb használatára is. (tüzelés stb.)

KÉTKEZES RENDSZER

A TCA Sidestick Airbus Edition joystick hatalmas előnye, hogy a használata tökéletesen kétkézes, vagyis minden játékoshoz alkalmazkodik, legyen az jobb vagy balkezes.

Három modul állítható át: az alapon található gombok konfigurációja, a jobb gombok és a bal gombok elemei.

A GOMBOK KONFIGURÁCIÓJA JOBBKEZES MÓDBAN 3

Az alapon található 12 gombot a következő módon lehet JOBBKEZES módba (vagy másodpilóta/első tiszt) kapcsolni: a joystick csatlakoztatása előtt kapcsolja a joystick alapja alatt található kiválasztó kapcsolót a (9) **RIGHT HANDED** módba. Az eszköz innentől T.A320 Copilotként üzemel.

A GOMBOK KONFIGURÁCIÓJA BALKEZES MÓDBAN 4

Az alapon található 12 gombot a következő módon lehet BALKEZES módba (vagy pilóta) kapcsolni: a joystick csatlakoztatása előtt kapcsolja a joystick alapja alatt található kiválasztó kapcsolót a (9) **LEFT HANDED** módba. Az eszköz innentől T.A320 Pilotként üzemel.

A MODULOK CSERÉJE 5

A joystick alapértelmezettként pilóta módba van konfigurálva.

A következő módon lehet a négy elérhető opció közül választani:

- A. Egy kis csavarhúzóval használva, óvatosan csavarja ki a baloldali elemet rögzítő két csavart a joystick fején.
- B. Cserélje ki a modulokat a kívánt beállítások alapján.
- C. Rakja vissza a csavarokat és teljesen húzza meg őket.

PC

TELEPÍTÉS PC-RE

1. Csatlakoztassa az USB csatlakozót **(8)** a számítógépe egyik USB portjába.
A Windows 8 vagy 10 automatikusan felismeri az új eszközt.
 2. A program automatikusan telepítésre kerül.
Kövessen a képernyőn található utasításokat a telepítés véglegesítéséhez.
 3. Kattintson a **Start menü/Beállítások/Vezérlőpult**ra és kattintson duplán a **Játékvezérlőkre**.
A Játékvezérlők párbeszéd panel a joystick nevét OK státuszban jeleníti meg.
 4. A **Vezérlőpulton** belül, kattintson a **Tulajdonságokra**, hogy a joystickja funkcióit tesztelhesse és ellenőrizhesse.
- Most már nincs más dolga, mint játszani!**

FONTOS MEGJEGYZÉS

A joystick csatlakoztatása közben, mindig állítsa a kart és az oldalkormányt központi pozícióba és ne mozgassa őket (hogy elkerülhesse a kalibrációs problémákat).

HIBAELHÁRÍTÁS ÉS FIGYELMEZTETÉS

- **A joystickom nem működik megfelelően vagy hibásan van kalibrálva:**
 - Kapcsolja ki a számítógépét és húzza ki a joystickot; majd kapcsolja be újra a számítógépét, csatlakoztassa a joystickot és indítsa újra a játékot.
 - Amikor a joystickot csatlakoztatja: mindig állítsa a kart és az oldalkormányt központi pozícióba és ne mozgassa őket (hogy elkerülhesse a kalibrációs problémákat).
- **Nem tudom a joystickomat konfigurálni:**
 - A játék **Opciók / Kontroller / Gamepad** vagy **Joystick** menüjében: válassza ki a megfelelő beállításokat vagy teljes egészében konfigurálja újra a kontroller beállítási lehetőségeit.
 - További információért olvassa el a használati útmutatót vagy használja az online segítséget.
- **A joystickom túlérzékeny vagy nem elég érzékeny:**
 - A joystick önállóan bekalibrálja saját magát, miután a különböző tengelyek körül elmozdította.
 - A játék **Opciók / Kontroller / Gamepad** vagy **Joystick** menüjében: állítsa be az érzékenységet és a joystick holtjátékát (ha ezek az opciók elérhetőek).



Az eszköz kizárólag szórakoztatás céljából játékokhoz készült és bármely szakmai tréningen való használata szigorúan tilos.

TERMÉKSZAVATOSSÁGI TÁJÉKOZTATÓ

A franciaországi központú Guillemot Coporation S.A. (továbbiakban "Guillemot") (székhelyének címe: Place du Granier, B.P. 97143, 35571 Chantepie, Franciaország) világszerte garantálja a vásárlóinak, hogy a Thrustmaster által forgalmazott termék anyag és gyártási hibáktól mentes és a meghatározott szavatossági időn belül a termékkel szemben a cég eljár, ha szükséges. Az Európai Unió országain belül ez a szavatossági idő a Thrustmaster termék kiszállításától számított két (2) év. Más országokban, a Thrustmaster termékekre vonatkozó szavatossági időre azon helyi jogszabályok alkalmazandók, ahol a vásárló a vásárlás ideje alatt állandó jelleggel tartózkodik (ha a szóban forgó országnak nincsen ilyen jellegű törvénykezése, abban az esetben a Thrustmaster termék eredeti idejének vásárlásától számítva a szavatossági idő egy (1) év).

A fent meghatározottak ellenére, az akkumulátorok szavatossági ideje a vásárlástól számított hat (6) hónapon belül lejár.

Amennyiben a szavatossági idő alatt a termékben meghibásodást észlel, úgy azonnal lépjen kapcsolatba a Vevőszolgálattal és ők megmondják mit kell tennie. Ha a meghibásodást jóváhagyják, a terméket vissza kell vinnie a vásárlás helyszínére (vagy a Vevőszolgálat által kijelölt helyre).

A jótállás keretein belül, a vásárló hibás termékét a Vevőszolgálat vagy kicseréli, vagy javítja. Ha, a szavatossági időn belül a Thrustmaster termék javítás alatt áll legalább (7) hét napig, abban az esetben, a kiesett napok számával a szavatossági idő meghosszabbítható (ezt az időszakot az alábbiak szerint kell számolni: vagy attól a dátumtól kezdve amikor a vásárló panaszt tett vagy attól a dátumtól kezdve, amikor a termék javításra átadásra került, amennyiben ez a dátum nem esik egybe a panasztétel időpontjával). Ha az alkalmazandó jogszabályok megengedik, a Guillemot és a leányvállalatai (közvetett károk is beleértve) egyaránt a Thrustmaster termék helyreállítására vagy annak a kicserélésre kell, hogy törekedjen. Ha az alkalmazandó jogszabályok megengedik, Guillemot a termék felhasználhatóságával és rendeltetésével kapcsolatban nem vállal garanciát.

A termékszavatosság nem érvényes: (1) ha a terméket bármilyen formában módosították, felnyitották, nem rendeltetészerűen használták, egyéb külső sérüléseknek tették ki, gondatlanul kezelték vagy normális mértékben elhasználódott és az ebből fakadó károk nem vezethetőek vissza a termék gyári meghibásodásra (beleértve, de nem kizárólagosan azt az esetet, amikor a Thrustmaster terméket valamilyen nem a Guillemot által forgalmazott tápegységgel, akkumulátorral, töltővel vagy egyéb eszközzel használták); (2) ha a terméket nem csak saját használatra, hanem szakmai vagy kereskedelmi célokra is felhasználták (pl.: játékszoba, tréning, versenyek); (3) ha a vásárló nem követte a Vevőszolgálat utasításait (4) szoftver hiba esetén. Arra más módon meghatározott jótállás érvényes; (5) fogyóeszközökre (olyan eszközök, amelyeket a termék élettartama alatt kell cserélni. Pl.: eldobható elemek, fejhallgató vagy headset fülpárna); (6) kiegészítőkre (pl.: kábelek, tokok, tasakok, táskák, csukló rögzítők); (7) ha a terméket aukció során vásárolták meg.

A jótállás nem átruházható.

A vásárló törvényes jogaira nincs hatással a termékszavatosság, akármilyen törvények is vonatkoznak a saját országában megvásárolt termékekre.

További termékszavatossággal kapcsolatos rendelkezések

A szavatossági idő alatt, Guillemot semmiféle alkatrészt nem bocsájthat a vásárló részére, mivel csak a Vevőszolgálatnak van kizárólagos joga ahhoz, hogy felnyisson és/vagy megszereljen akármilyen Thrustmaster terméket (kivévelt képez az az eset, amikor a Vevőszolgálat külön írásos instrukciókkal látja el a vásárlót a szerelést illetően és az ehhez szükséges alkatrészeket is a rendelkezésére bocsájta pl.: ha nagyon egyszerű és titoktartást nem igénylő szerelési folyamatról van szó.)

Az innovációs ciklusra való tekintettel és a termék szabadalmának, illetve az üzleti titkának védelme érdekében, Guillemot nem tesz ígéretet olyan Thrustmaster termék javítására és nem szolgáltat hozzá alkatrészt, amelynek a termékszavatossága már lejárt.

Az Amerikai Egyesül Államokban és Kanadában a termékszavatosság csak a termék belső szerkezetére és a készülékházra terjed ki. Sem Guillemot, sem a partnerei nem vonhatóak felelőségre egy harmadik fél által, a közvetlen vagy közvetett garancia megszegése miatt fellépő esetleges károk miatt. Némely Államokban/Tartományokban nincs szabályozva, hogy mikor jár le a közvetett termékszavatosság vagy nincs meghatározva a felelősség mértéke vagy annak teljes kizárása közvetett vagy véletlenszerű károk okozása esetén. Ebben az esetben a fentebb említett szabályozások és kizárások nem vonatkoznak Önre. A termékszavatosság különleges törvényi jogokkal ruházza Önt fel, illetve más jogok is megilletik, amelyek államonként és tartományonként eltérhetnek.

Felelősségvállalás

Ha az alkalmazandó jogszabályok megengedik, a Guillemot Corporation S.A. (továbbiakban "Guillemot") és leányvállalatai nem vállalnak semmiféle felelősséget, ha a károk az alábbiak szerint keletkeztek: (1) a terméket bármilyen formában módosították vagy felnyitották ; (2) nem tartották be az összeszerelési utasítást; (3) a terméket nem rendeltetésszerűen használták, egyéb külső sérüléseknek tették ki (pl.: nyomásnak), gondatlanul kezelték ; (4) a termék normális mértékben használódott el; (5) a terméket nem csak saját használatra, hanem szakmai vagy kereskedelmi célokra is felhasználták (pl.: játékszoba, tréning, versenyek). Amennyiben az alkalmazandó jogszabályok lehetővé teszik, úgy Guillemot és a leányvállalatai nem vállalnak felelősséget azon károkért, amelyek nem a termék minőségi vagy gyártási problémájából fakadnak. (beleértve, de nem kizárólagosan azt az esetet, amikor a károkat direkt vagy indirekt módon egy szoftver okozza vagy a Thrustmaster terméket valamilyen nem a Guillemot által forgalmazott tápegységgel, akkumulátorral, töltővel vagy egyéb eszközzel használták.)

THRUSTMASTER®

VEVŐSZOLGALAT

<https://support.thrustmaster.com>



SZERZŐI JOG

© 2020 Guillemot Corporation S.A. Minden jog fenntartva. Thrustmaster® a Guillemot Corporation S.A. bejegyzett védjegye. Windows® a Microsoft Corporation által jegyzett védjegy az egész USA-ban és más országokban is.

Az AIRBUS logó és termék és szolgáltatási védjegy az Airbus regisztrált védjegyei. Minden jog fenntartva.

© Airbus 2020. Minden jog fenntartva. Az Airbus hivatalos licence.

Minden más védjegy a tulajdonos tulajdonában áll. Az illusztrációk nem kötelező érvényűek. A tartalom, design és specifikáció bármikor módosíthatók további értesítés nélkül és országonként eltérhetnek. Kínában készült.

A légielő által hivatalosan engedélyezett termék. Az amerikai légielő beleegyezése nem szükséges.

KÖRNYEZETVÉDELMI AJÁNLÁS



* Az Európai Unión belül: ha a termék élettartama lejárt, ne dobja ki a háztartási szeméttel együtt, hanem adja le egy az elektromos és elektronikus berendezések hulladékának újrafelhasználásáért felelős gyűjtőponton. (WEEE)

Ezt az alábbi ikon is jelöli, amit a terméken, használati útmutatón és csomagoláson is megtalál.



Az anyag sajátosságaitól függően, újrafelhasználásra lehet alkalmas. Az újrafelhasználással és azzal, hogy az elektromos és elektronikus berendezések hulladék megsemmisítésének a módját követi, jelentősen hozzájárul a környezete védelméhez. Lépjen kapcsolatba a helyi önkormányzattal, hogy hol található az Önhöz legközelebbi gyűjtőpont.

Nem Európai Uniói országokban: Vegye figyelembe a helyi elektromos és elektronikus hulladék újrafelhasználásra vonatkozó törvényt.

Őrizze meg a tájékoztatót. A színek és díszítés eltérhetnek.

Távolítsa el a műanyag rögzítőket és ragasztószalagokat a használatba vétel előtt.

A termék minden tekintetben megfelel a 16 éves vagy annál idősebb gyerekeknek. A termék 16 alatti gyerekek használatára nem ajánlott.

www.thrustmaster.com

*EU-ban és Törökországban alkalmazható

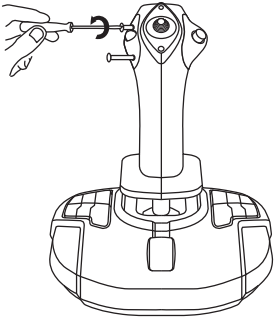


TCA SIDESTICK AIRBUS EDITION

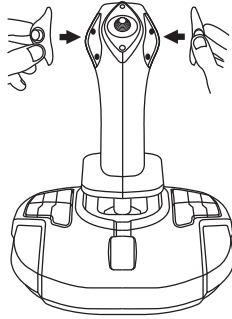


5

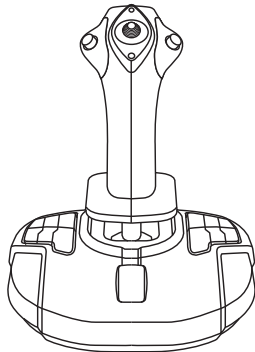
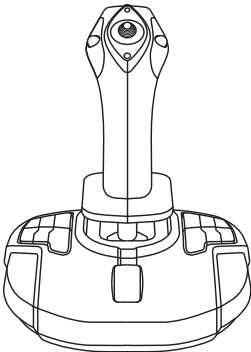
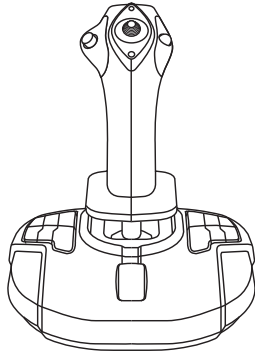
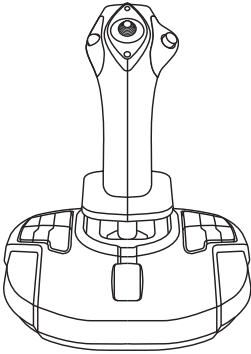
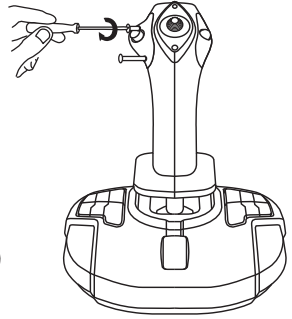
A



B



C



TCA SIDESTICK AIRBUS EDITION

תואם: מחשב אישי מדריך למשתמש

1 תכונות טכניות

1. הדק דיגיטלי
2. מתג כִּיפָה (POV "Point of View") - רב-כיווני
3. מודול לחצן ימני
4. מודול לחצן שמאלי
5. בקרת הגה כיוון באמצעות ידית מסתובבת עם משען כף יד + מערכת נעילה
6. מצערת (עם לחצן וירטואלי אחד)
7. 15 לחצני פעולות
8. מחבר USB למחשב
9. מתג לבחירת לחצני יד ימין או יד שמאל

להכיר את מוט ההיגוי שלך

טכנולוגיית דיוק בלעדית:

HallEffect AccuRate Technology :H.E.A.R.T

מוט ההיגוי TCA Sidestick Airbus Edition מצויד בטכנולוגיה שמספקת לו רמת דיוק שאין לה מתחרים כיום בעולם מוטות ההיגוי למשחקים, כולל:

- חיישני תלת-ממד מגנטיים (Hall השפעה) במוט ההיגוי, ברזולוציה של יותר מ-268 מיליון ערכים בצירי ה-X וה-Y (16,384 x 16,384 ערכים), בעוד שהמערכות המתחרות הנוכחיות (אפילו היוקרתיות ביותר) מספקות רזולוציה בסביבות מיליון ערכים (1,024 x 1,024 ערכים) בלבד.
- מגנט: ללא חיכוך, לקבלת דיוק אולטימטיבי ויכולת תגובה בלתי רגיילה שנמשכת לאורך זמן.
- קפיץ סלילי במוט (2.8 מ"מ): למתח יציב, ליניארי וזורם.

מצערת

מוט ההיגוי מצויד במצערת (6), שיכולה לשמש אותך כדי לשלוט בקלות בדחף מנוע המטוס.

לחצן וירטואלי (מספר 17, תרשים 3) זמין ב-20 האחוז הראשונים של מהלך המצערת, על מנת להפעיל את מהפכי הדחף, לדוגמה.

פונקציית הגה כיוון

מוט ההיגוי מצויד בפונקציית הגה כיוון (5): במטוס, הטייס משתמש בהגה הכיוון כדי לסובב את המטוס סביב הציר האנכי שלו (גורם למטוס לפנות שמאלה או ימינה).

פונקציית הגה כיוון זו זמינה במוט ההיגוי על ידי סיבוב (כלומר, הטיה) של המוט שמאלה או ימינה.

2 נעילה/ביטול נעילה של פונקציית הגה הכיוון

ניתן להשבית את פונקציית הגה הכיוון באמצעות לחצן הנעילה שבגב ידית מוט ההיגוי. לחץ על לחצן זה כדי לנעול את ציר הגה הכיוון.

החזר לחצן זה למצב העליון (כלומר, ברירת המחדל) כדי לבטל את הנעילה של ציר הגה הכיוון.

מתג כיפה POV רב-כיווני

מוט ההיגוי מצויד במתג כיפה POV, או "Point of View", (2) אשר, כפי ששמו מרמז, מאפשר לראות מיד את כל המתרחש מסביב למטוס (במשחקים שבהם תכונה זו זמינה). כדי להשתמש בתכונה זו, פשוט היכנס לתפריט ההגדרה של המשחק ותכנת את התצוגות השונות (תצוגה אחורית, תצוגה שמאלית, תצוגה ימנית וכן תצוגות חיצוניות) לכיוונים של מתג הכיפה POV.

אם תרצה, תוכל גם לשמור את מתג הכיפה POV לשימושים אחרים במקום זאת (ירי וכדומה).

מערכת דו-ידית

אחד היתרונות של TCA Sidestick Airbus Edition הוא היותו מוט היגוי דו-ידי מלא, כלומר, אפשר להתאים אותו בצורה מושלמת לכל המשחקים, בין אם הם ימניים או שמאליים. לשם כך, אפשר להתאים שלושה רכיבים: התצורה של הלחצנים בבסיס, מודול הלחצן הימני ומודול הלחצן השמאלי.

3 קביעת תצורת הלחצנים במצב שימוש ביד ימין

כדי להגדיר את המיקומים של 12 הלחצנים שממוקמים בבסיס למצב שימוש ביד ימין (או טייס משנה/קצין ראשון), העבר את המתג הבורר (9) שנמצא מתחת לבסיס מוט ההיגוי למצב **RIGHT HANDED** לפני חיבור מוט ההיגוי. במצב זה, המוצר יזוהה בתור T.A320 Copilot.

4 קביעת תצורת הלחצנים במצב שימוש ביד שמאל

כדי להגדיר את המיקומים של 12 הלחצנים שממוקמים בבסיס למצב שימוש ביד שמאל (או טייס), העבר את המתג הבורר (9) שנמצא מתחת לבסיס מוט ההיגוי למצב **LEFT HANDED** לפני חיבור מוט ההיגוי. במצב זה, המוצר יזוהה בתור T.A320 Pilot.

5 החלפת המודולים

כברירת מחדל, מוט ההיגוי מוגדר במצב טייס.

כדי לשנות את התצורה בין ארבע האפשרויות השונות זמינות:

- א. באמצעות מברג קטן, הברג החוצה בזווית את שני הברגים שבמודול התחתון, בצד שמאל של ראש מוט ההיגוי.
- ב. החלף את המודולים בהתאם לתצורה המועדפת עליך.
- ג. הברג חזרה את הברגים והדק אותם היטב.

מחשב אישי

התקנה במחשב אישי

1. חבר את מחבר ה-USB (8) לאחת מיציאות ה-USB במחשב.
ב-Windows 8 או 10 ההתקן החדש יזוהה אוטומטית.
2. מנהלי ההתקנים מותקנים אוטומטית.
פעל לפי ההוראות שעל המסך כדי להשלים את ההתקנה.
3. לחץ על **Start (התחל)/Settings (הגדרות)/Control Panel (לוח הבקרה)** ולחץ פעמיים על **Game Controllers (בקרי משחקים)**.
- בתביכת הדו-שיח **Game Controllers (בקרי משחקים)** יוצג שם מוט ההיגוי עם סטטוס **OK (תקין)**.
4. ב-**Control Panel (לוח הבקרה)**, לחץ על **Properties (מאפיינים)** כדי לבדוק ולהציג את כל פונקציות מוט ההיגוי.
אתה מוכן ומזומן לשחק!

הערה חשובה

בעת חיבור מוט ההיגוי, מקם תמיד את המוט ואת הגה הכיוון במצב המרכזי שלהם, והימנע מהזזתם (כדי למנוע בעיות כיוול).

פתרון בעיות ואזהרות

- **מוט ההיגוי אינו פועל כהלכה או נראה שאינו מכויל:**
כבה את המחשב ונתק את מוט ההיגוי. לאחר מכן, הפעל שוב את המחשב, חבר חזרה את מוט ההיגוי והפעל מחדש את המשחק.
- בעת חיבור מוט ההיגוי, מקם תמיד את המוט ואת הגה הכיוון במצב המרכזי שלהם, והימנע מהזזתם (כדי למנוע בעיות כיוול).
- **איני מצליח לקבוע את התצורה של מוט ההיגוי:**
- בתפריט **Options (אפשרויות)/Controller (בקר)/Gamepad (ידית משחק) או Joystick (מוט היגוי)** של המשחק: בחר את התצורה המתאימה, או קבע מחדש לגמרי את אפשרויות הבקר.
- למידע נוסף, עיין במדריך למשתמש של המשחק או בעזרה המקוונת.
- **מוט ההיגוי רגיש מדי או לא מספיק רגיש:**
- מוט ההיגוי מבצע כיוול עצמי בצורה עצמאית לאחר ביצוע מספר תנועות לאורך צירים שונים.
- בתפריט **Options (אפשרויות)/Controller (בקר)/Gamepad (ידית משחק) או Joystick (מוט היגוי)** של המשחק: כוון את הרגישות ואת האזורים המתים של מוט ההיגוי (אם אפשרויות אלו זמינות).



ציוד היקפי זה נועד אך ורק למטרות משחק ובידור, והשימוש בו אסור במפורש לכל סוג של פעילות הדרכה מקצועית.

פרטי אחריות

Guillemot Corporation S.A, שמשדריה הרשומים ב- Chantepie, France, B.P. 97143 35571, (להלן: "Place du Granier"); "Guillemot") מתייבת לצרכן ברחבי העולם כי מוצר Thrustmaster zv יהיה זקי מפגמים בחומרים ובעבודה למשך תקופת אחריות התואמת את פרק הזמן להגשת תביעת תאימות ביחס למוצר זה. במדינות האיחוד האירופי, פרק הזמן האמור הוא שתיים (2) ממועד אספקת מוצר Thrustmaster. במדינות אחרות, תקופת האחריות תואמת את פרק הזמן להגשת תביעת תאימות ביחס למוצר Thrustmaster-ה על פי החוקים החלים במדינה בה התגורר הצרכן בעת רכישת מוצר ה-Thrustmaster-ה (בהיעדר הגדרה כאמור במדינה הרלוונטית, תקופת האחריות תהיה לשנה אחת (1) מתאריך הרכישה המקורי של מוצר ה-Thrustmaster).

על אף האמור לעיל, סוללות נטענות מוכסות בתקופת אחריות בת שישה (6) חודשים מתאריך הרכישה המקורי. במקרה המוצר נראה פגום במהלך תקופת האחריות, פנו מייד מחלקת התמיכה הטכנית, אשר תספק לכם הוראות להמשך הטיפול. אם הפגם מאומת, יש להחזיר את המוצר לנקודת הרכישה (או לכל מקום אחר שייקבע על ידי מחלקת התמיכה הטכנית). במסגרת אחריות זו, המוצר הפגום של הצרכן יוחלף או יתוקן על פי בחירת מחלקת התמיכה הטכנית. אם, במהלך תקופת האחריות, מוצר ה-Thrustmaster-ה נמצא בתיקון, כל תקופה עד שבעה (7) ימים בהם המוצר אינו בשימוש, תוסף ליתרת תקופת האחריות (התקופה מתחילה עם בקשת הצרכן להתערבות או מהתאריך בו המוצר נמסר לתיקון, אם התאריך בו המוצר נמסר לתיקון הוא אחר מתאריך בקשת ההתערבות). במידה והדבר מותר על פי החוק החל, נמלא החתוב של Guillemot וחברות הבת שלה (לרבות מדינות) מוגבלת להחזרת מוצר ה-Thrustmaster-ה לפעולה או החלפתו. במידה והדבר מותר על פי החוק החל, גולומט מסירה כל אחריות לסחירות או התאמה למטרה מסוימת.

האחריות לא תחול: (1) אם המוצר שונה, נפתח, עודכן או ניזוק כתוצאה משימוש בלתי הולם, רשלנות, תאונה, בלאי סביר או כל גורם אחר שאינו קשור בפגם בחומרים או בייצור (לרבות, אך ללא הגבלה, שילוב מוצר Thrustmaster עם כל מרכיב בלתי הולם, לרבות בעיקר ספקי כוח, סוללות נטענות, מטענים או כל רכיב אחר שאינו מסופק למוצר זה על ידי Guillemot); (2) אם המוצר שימש לכל מטרה שהיא מעבר לשימוש ביתי, לרבות למטרות מקצועיות או מסחריות (למשל, חדר משחקים, הדרכה, תחרויות); (3) במקרה של אי עמידה בהוראות ממחלקת התמיכה הטכנית; (4) על תונכה, כאשר התונכה כפופה לאחריות ספציפית; (5) לרכיבים מתכלים (רכיבים שיוחלפו לאורך חי המוצר: כגון סוללות חד פעמיות, אוזניות או רפידות לאוזניות); (6) על אביזרים (כגון כבלים, מארזים, תיקים, רצועות); (7) אם המוצר נמכר במכירה פומבית.

האחריות אינה ניתנת להעברה.

אחריות זו לא תשפיע על הזכויות החוקיות של הצרכנים ביחס לחוקים החלים על מכירת מוצר צריכה בארץ שלהם.

הוראות אחריות נוספות

בתקופת האחריות, Guillemot לא תספק חלקי חילוף באופן עקרוני שכן מחלקת התמיכה הטכנית היא הגוף היחיד המוסמך לפתוח /או לתקן כל מוצר Thrustmaster שהוא (לא כולל נהלי טיפול שעשויה מחלקת התמיכה הטכנית לבקש מהצרכנים בהוראות בכתב - למשל, בשל פשטות התיקון והיעדר הסודיות בתהליך התיקון - ותוך אספקת חלקי) החילוף לצרכנים כנדרש, בהתאם לעניין).

בהתחשב במחזורי החדשנות שלה ובמטרה להגן על הידע והסודות המסחריים שלה, Guillemot לא תספק, באופן עקרוני, כל הודעת תיקון או חלקי חילוף למוצר Thrustmaster שתקופת האחריות לגביה פקעה.

בארה"ב ובקנדה, אחריות זו מוגבלת למנגנון הפנימי ולזיווד החיצוני של המוצר. Guillemot והחברות השותפות לה לא תיינה אחריות כלפי צד שלישי בגין נזקים תוצאתיים או נלווים הנובעים מתוך ההפרה של כל התחייבות מפורשת או מרומזת. ישנן מדינות/מחוזות שאינם מאשרות הגבלה על תקופת האחריות מרומזת או החרגה או הגבלת חבות בגין נזקים תוצאתיים או נלווים, לכן ייתכן כי ההגבלות על ההחזרות לעיל אינן חלות עליכם. האחריות מקנה לכם זכויות חוקיות ספציפיות וייתכן שעומדות לרשותכם זכויות נוספות המשתנות ממדינה למדינה או ממחוז למחוז.

חבות

במידה והדבר מותר על פי חוק, Guillemot Corporation S.A. (להלן: "Guillemot") וחברות הבת שלה מסירות כל חבות בגין נזקים שנגרמו על ידי אחד או יותר מהבאים: (1) המוצר שונה, נפתח או עודכן; (2) אי עמידה בהוראות ההרכבה; (3) שימוש בלתי הולם או בלתי ראוי, רשלנות, תאונה (כגון התנגשות); (4) בלאי סביר; (5) שימוש לכל מטרה שהיא מעבר לשימוש ביתי, לרבות למטרות מקצועיות או מסחריות (למשל, חדר משחקים, הדרכה, תחרויות). במידה והדבר מותר על פי חוק, Guillemot וחברות הבת שלה מסירות על חבות בגין נזקים שאינם קשורים בפגם בחומרים או בייצור (לרבות, אך ללא הגבלה, נזקים שנגרמו על ידי תונכה כלשהי) באופן ישיר או עקיף, או משילוב מוצר Thrustmaster עם כל מרכיב בלתי הולם, לרבות בעיקר ספקי כוח, סוללות נטענות, מטענים או כל רכיב אחר שאינו מסופק למוצר זה על ידי Guillemot.

THRUSTMASTER®

תמיכה טכנית

<https://support.thrustmaster>



זכויות יוצרים

© 2020 Guillemot Corporation S.A. כל הזכויות שמורות. Thrustmaster® הוא סמל מסחרי רשום של Guillemot Corporation S.A.
AIRBUS, הלוגו וסימני המוצר והשירות הם סימנים מסחריים רשומים של Airbus. כל הזכויות שמורות.
© Airbus 2020. כל הזכויות שמורות. ברישיון רשמי של Airbus.
© Windows הוא סמל מסחרי רשום של Microsoft Corporation בארה"ב ו/או במדינות אחרות. כל יתר הסימנים המסחריים ושמות המותגים מוכרים ומהווים את הרכוש של בעליהם בהתאמה. האזורים אינם מחייבים. תוכן, עיצובים ומפרטים נתונים לשינוי ללא הודעה ועשויים להשתנות ממדינה למדינה. תוצרת סין.

המלצת איכות הסביבה

באיחוד האירופי: עם סיום חיי המוצר, אין להשליך אותו ביחד עם פסולת ביתית, אלא למסור אותו לתחנת איסוף להשלכת פסולת חשמלית או אלקטרונית (WEEE) לצורך מחזור.
הוראה זו מצוינת באמצעות הסימן המופיע על המוצר, מדרך השימוש או האריזה. בהתאם לתכונותיהם, ניתן למחזר את החומרים. באמצעות מחזור ועיבוד פסולת חשמלית או אלקטרונית, תוכלו לתרום באופן משמעותי להגנה על הסביבה. פנו לרשויות המקומיות למידע בנושא נקודת האיסוף הקרובה אליכם.
בכל שאר המדינות: יש לפעול על פי חוקי המחזור המקומיים ביחס לציוד חשמלי ואלקטרוני.



יש לשמור מידע זה. הצבעים והעיטורים עשויים להשתנות.
יש להסיר מחברי פלסטיק ודבקים מהמוצר לפני השימוש.
www.thrustmaster.com

*רלוונטי רק לאיחוד האירופי ולטורקיה



Europe, Middle East

ENGLISH
FRANÇAIS
DEUTSCH
NEDERLANDS
ITALIANO
ESPAÑOL
PORTUGUÊS
РУССКИЙ
ČESTINA
TÜRKÇE
POLSKI
SVENSKA
SUOMI
SLOVENCINA
MAGYAR NYELV
עברית
العربية

North America/

Norteamérica

ENGLISH
FRANÇAIS
ESPAÑOL

Latin America/

América Latina

ENGLISH
ESPAÑOL
PORTUGUÊS

Asia Pacific

日本語
简体中文
繁體中文
한국어
ENGLISH

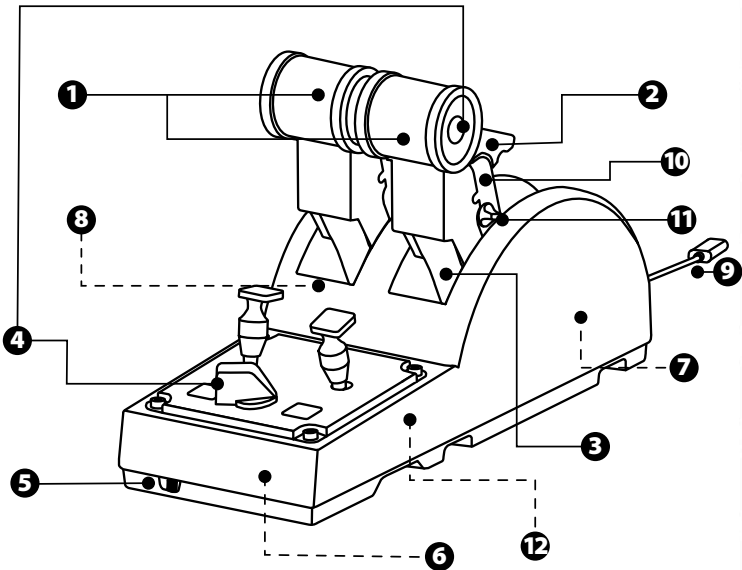
THRUSTMASTER®

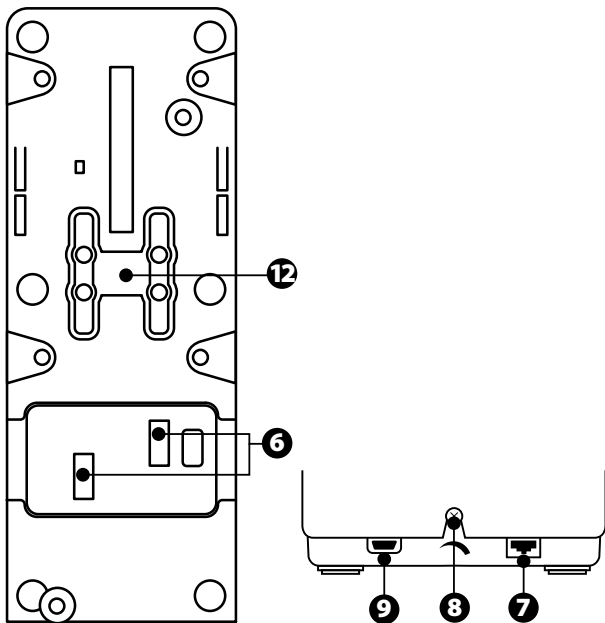
TCA QUADRANT
AIRBUS EDITION

TCA QUADRANT AIRBUS EDITION

User manual

TECHNICAL FEATURES





- | | |
|---|---|
| <ol style="list-style-type: none"> 1. X and Y axes for throttle 2. Thrust reverser mechanism on each axis 3. 4 detents per axis — 4 virtual buttons per axis 4. 8 action buttons 5. Selector switch for engines: 1/2 or 3/4 6. SATA connectors for external TCA Quadrant Add-On Airbus Edition modules (add-on sold separately) | <ol style="list-style-type: none"> 7. Connector for TFRP rudder system (sold separately) 8. Friction adjustment screw 9. USB connector (type B) 10. Crossbar location 11. Mechanism for enabling/disabling thrust reverser on each axis 12. Mechanism for enabling/disabling detents on each axis |
|---|---|

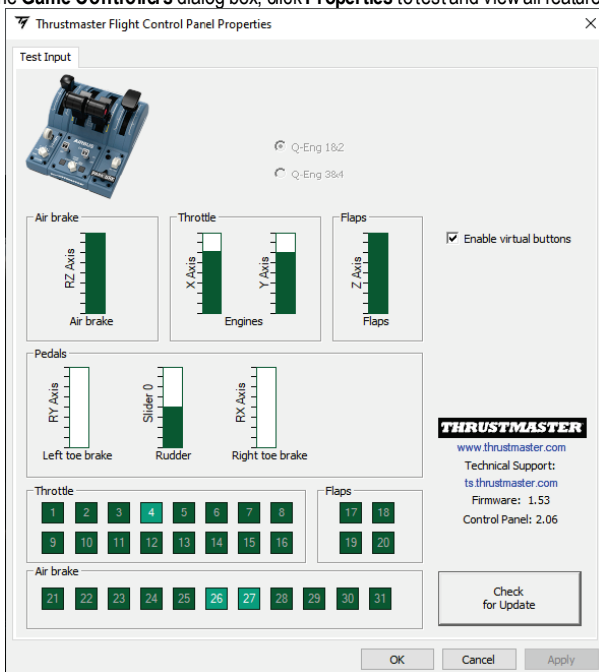
INSTALLATION ON PC

1. Please visit <https://support.thrustmaster.com/>. Click **Joysticks / TCA Quadrant Airbus Edition**, and select **Drivers**. Download and install the PC driver and its customized interface for the Windows Control Panel.
2. Once the PC driver has been installed, connect the device's USB connector to one of the USB ports on your PC.
3. To access the Control Panel, click **Start / Apps / Thrustmaster / Control Panel** (in Windows® 10 / 8.1 / 8).

The **Game Controllers** dialog box appears.

The accessory is listed onscreen with the name **TCA Q-Eng 1&2** (or **TCA Q-Eng 3&4**, depending on the position of the selector switch for the engines [5]), along with **OK** status.

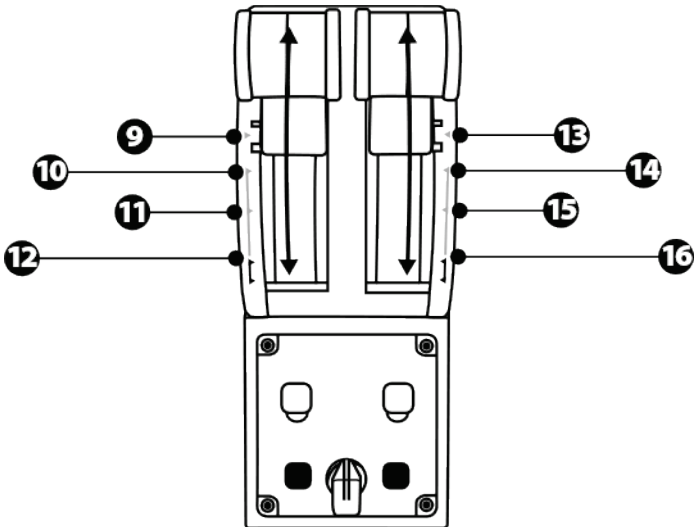
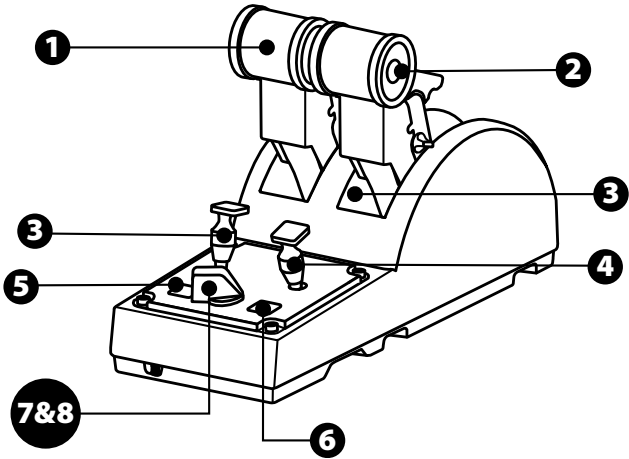
4. In the **Game Controllers** dialog box, click **Properties** to test and view all features.

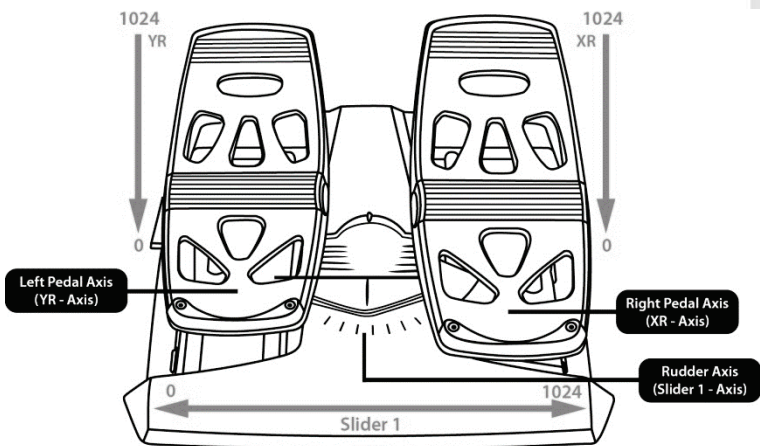
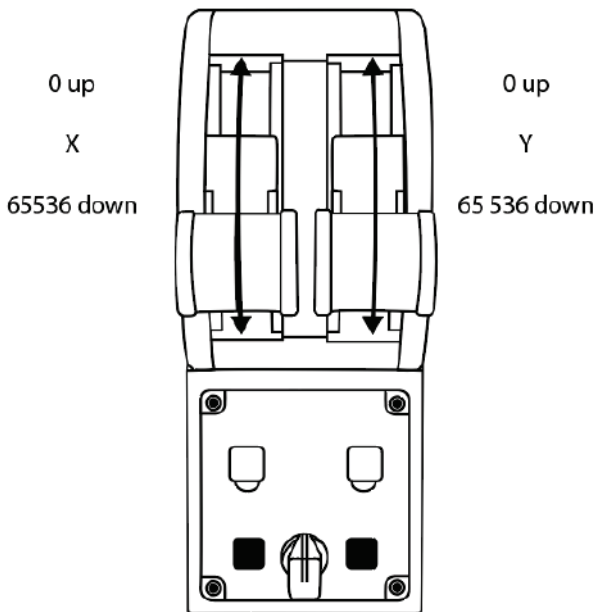


Enable virtual buttons: This feature allows to enable or disable the virtual buttons on the throttle's axes. Click **Apply** once you've selected your mode.

You are now ready to play!

MAPPING FOR THE 16 BUTTONS AND 2 AXES



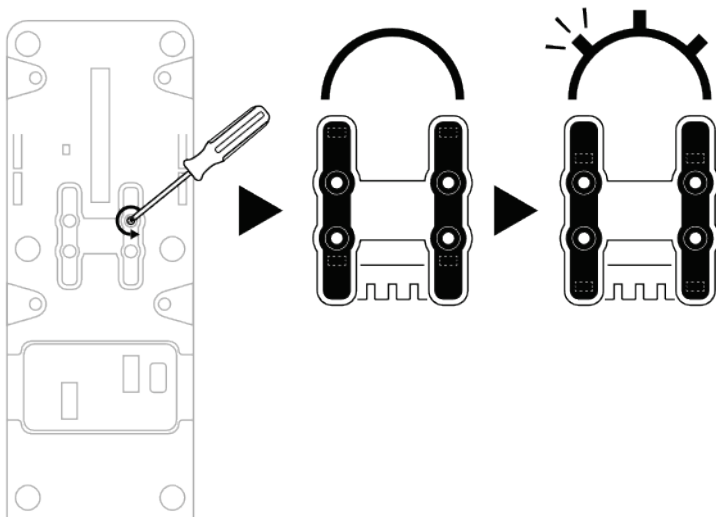


MAKING CHANGES TO THE AXES ON THE TCA QUADRANT AIRBUS EDITION THROTTLE QUADRANT

The TCA Quadrant Airbus Edition throttle quadrant features mechanical selectors allowing you to disable the detents/notches on each axis. Doing so allows you to have smooth axes, while maintaining virtual buttons 9 through 16.

This option lets you change the piloting sensations according to the type of aircraft being used in your simulation (commercial aircraft or civil aircraft).

1. Turn the TCA Quadrant Airbus Edition upside down, and unscrew the two screws for each of the selectors using a screwdriver with the corresponding head shape.
2. Switch the position of the selectors, using the indicators as a guide: this will let you choose either a smooth axis, or an axis with detents/notches, for each axis on the TCA Quadrant Airbus Edition throttle quadrant.

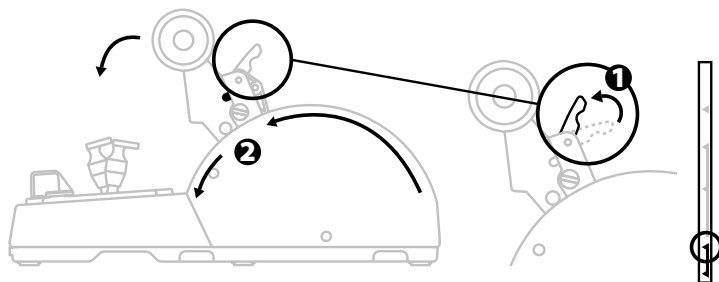


DISABLING THE THRUST REVERSERS ON THE TCA QUADRANT AIRBUS EDITION THROTTLE QUADRANT

The TCA Quadrant Airbus Edition throttle quadrant features functional thrust reversers, replicating those found on Airbus commercial aviation throttles. You can disable the thrust reverser mechanism, for piloting better suited to civil aviation.

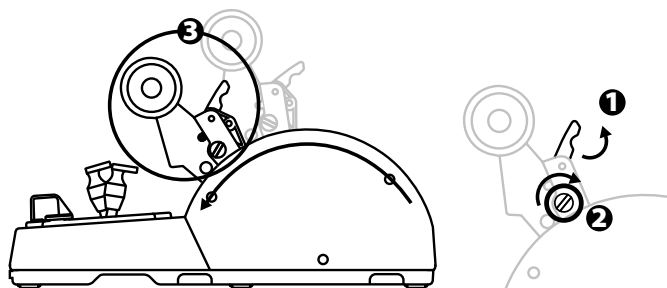
Commercial airliner mode:

1. At the stop, lift up the thrust reverser mechanism.
2. Moving past the stop lets you use the thrust reverser.

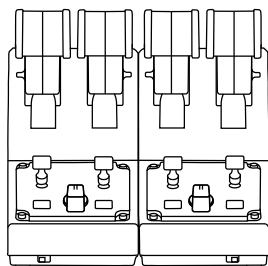


General and civil aviation mode:

1. Lift up the thrust reverser mechanism.
2. Turn the selector to position 0 to disable the thrust reverser mechanism.
3. The thrust lever can now move through the entire axis.

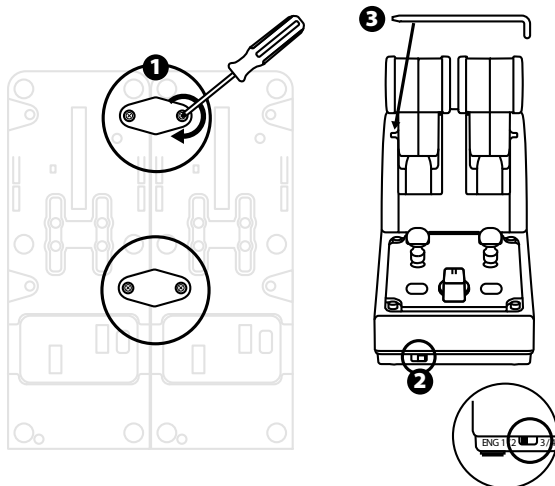


CONNECTING TWO TCA QUADRANT AIRBUS EDITION THROTTLE QUADRANTS

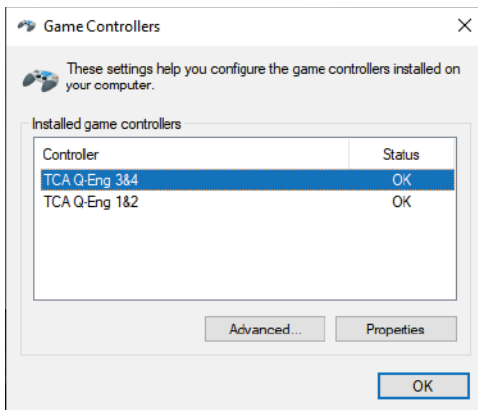


You can connect a second TCA Quadrant Airbus Edition throttle quadrant (sold separately): this will allow you to use 4 axes in total, simulating a four-engine commercial airliner, for example.

1. Turn both TCA Quadrant Airbus Edition throttle quadrants upside down, and screw on the two attachment pieces included with the TCA Quadrant Airbus Edition to attach the two devices together.
2. On the second throttle quadrant, physically set the selector switch to 3/4 in order to associate engines 3 and 4 with the second throttle quadrant (in the Control Panel on PC).
3. Connect the axes together by pair (1/2 and 3/4) to make them easier to move in unison, using the crossbar included with each TCA Quadrant Airbus Edition.

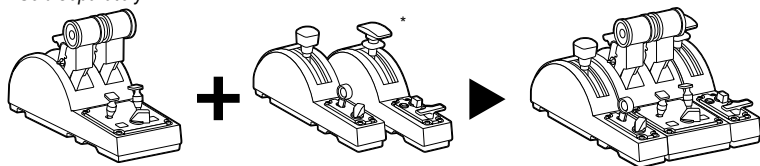


4. When both devices are connected to your PC via USB, they appear independently in the **Game Controllers** dialog box:



CONNECTING THE TCA QUADRANT AIRBUS EDITION THROTTLE QUADRANT TO THE TCA QUADRANT ADD-ON AIRBUS EDITION*

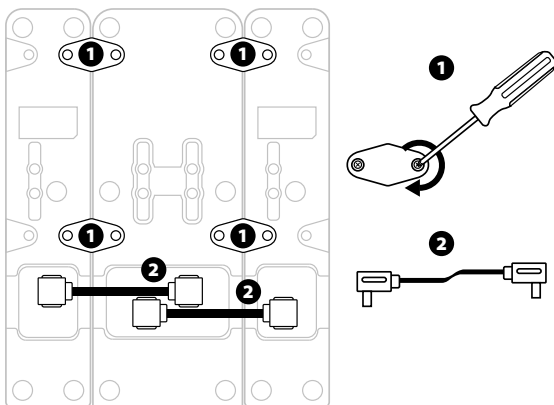
* Sold separately



The TCA Quadrant Airbus Edition throttle quadrant lets you connect the additional TCA Quadrant Add-On Airbus Edition modules (sold separately) on both sides of the TCA Quadrant Airbus Edition.

This modularity adds new axes and action buttons and lets you expand the takeoff, in-flight and landing kinematics for the TCA Quadrant Airbus Edition throttle quadrant.

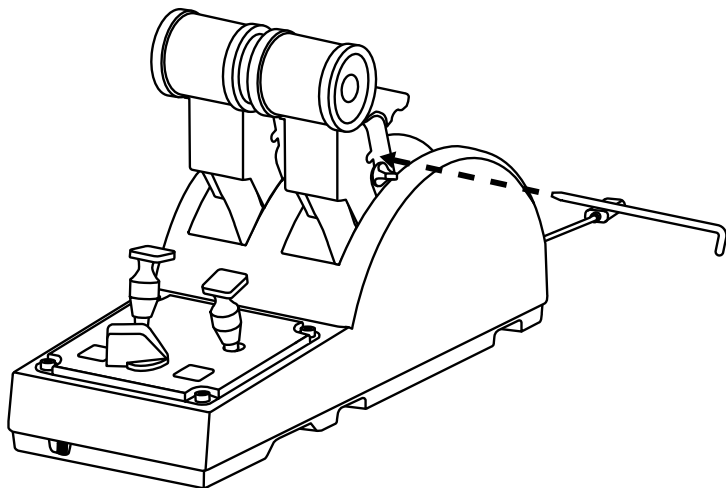
1. Turn the TCA Quadrant Airbus Edition throttle quadrant and the two additional TCA Quadrant Add-On Airbus Edition modules upside down, and (using a screwdriver with the corresponding head shape) screw on the four attachment pieces included with the TCA Quadrant Airbus Edition throttle quadrant and the TCA Quadrant Add-On Airbus Edition, attaching all three devices together: the Speed brake module to the left of the TCA Quadrant Airbus Edition, and the Flaps module to the right.
2. Connect the SATA cables included with the TCA Quadrant Add-On Airbus Edition to the SATA connectors on the TCA Quadrant Airbus Edition.
- 3.



- To avoid damaging the products, use a screwdriver with the corresponding head shape to tighten/untighten the screws.
- Only use the official cables provided by Thrustmaster.

ATTACHING/SEPARATING THE TWO THRUST LEVERS

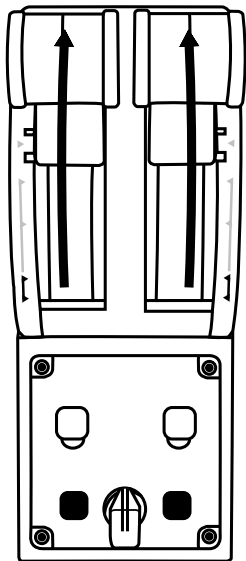
Use the crossbar included with the TCA Quadrant Airbus Edition throttle quadrant to connect the two thrust levers together.



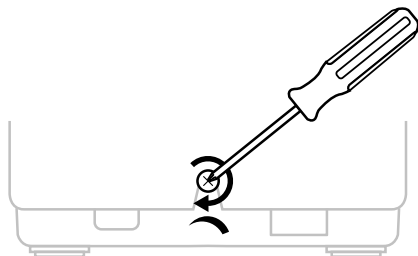
ADJUSTING THE FRICTION

IMPORTANT NOTES:

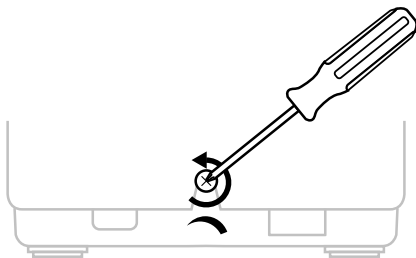
- The friction for the two thrust levers is set to 50% by default.
 - In order to allow for precise adjustment according to your preferences, you can use a screwdriver with the corresponding head shape— or the included crossbar— to turn the friction adjustment screw.
1. Push both thrust levers forward to their maximum values, and then access the friction adjustment screw at the back of the TCA Quadrant Airbus Edition.



2. To increase the friction, turn the friction adjustment screw clockwise.



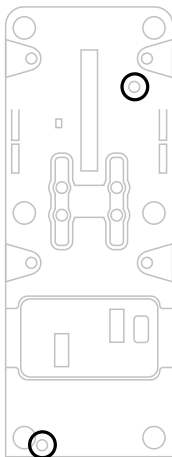
3. To decrease the friction, turn the friction adjustment screw counterclockwise.



- To avoid damaging the friction system, be careful not to over-tighten the adjustment screw: stop turning the screw when you feel resistance.
- Never completely unscrew the adjustment screw, to avoid the screw falling inside the body of the TCA Quadrant Airbus Edition.

ATTACHING THE TCA QUADRANT AIRBUS EDITION THROTTLE QUADRANT TO A COCKPIT OR OTHER STATIONARY SURFACE

You can use the two perforations located on the underside of the TCA Quadrant Airbus Edition to attach it to a cockpit or other stationary surface, using M6 screws (not included).



CONNECTING THE TFRP* RUDDER SYSTEM TO THE TCA QUADRANT AIRBUS EDITION THROTTLE QUADRANT

* Sold separately

The TCA Quadrant Airbus Edition throttle quadrant has 7 axes, with 3 of these axes being reserved for the TFRP rudder system.

The TFRP rudder system connects directly to the TCA Quadrant Airbus Edition throttle quadrant.

1. Connect the male RJ12 connector for the TFRP rudder system to the female RJ12 connector located at the back of the TCA Quadrant Airbus Edition throttle quadrant.
2. Connect the USB connector for the TCA Quadrant Airbus Edition throttle quadrant to one of the USB ports on your PC.

Important notes regarding automatic calibration of axes:

- Always leave the rudder axis centered when connecting the TFRP rudder system to the TCA Quadrant Airbus Edition throttle quadrant: never put your feet on the TFRP rudder system's pedals when doing so.
- The pedals' 3 axes automatically calibrate themselves after a few movements, and after having reached the physical stops for the rudder axis and the 2 differential brake axes.

T.A.R.G.E.T ADVANCED PROGRAMMING SOFTWARE (Thrustmaster Advanced pRogramming Graphical EdiT or)

Please visit <https://support.thrustmaster.com>. Click **Joysticks / TCA Quadrant Airbus Edition**, then select **Software**. Download and install the T.A.R.G.E.T advanced programming software.

Main features of T.A.R.G.E.T:

- Different possible configurations for the axes.
- Different possible programming levels: Basic, Advanced and Script.
- Use of the Drag and Drop principle.
- Ability to combine the TCA Quadrant Airbus Edition throttle quadrant with various Thrustmaster joysticks (HOTAS Cougar, HOTAS Warthog, T. 16000M, MFD Cougar Pack, all of which are also compatible with T.A.R.G.E.T), allowing them to be recognized as a single USB device.
- Access to advanced profiles created by the Thrustmaster community.



TROUBLESHOOTING AND WARNING

- **My TCA Quadrant Airbus Edition throttle quadrant isn't working properly, or seems to be improperly calibrated.**
 - Power off your PC, and disconnect the USB connector for the TCA Quadrant Airbus Edition throttle quadrant. Then reconnect the USB connector, power on your PC again, and restart your game.
 - When connecting the USB connector for the TCA Quadrant Airbus Edition throttle quadrant, always leave the rudder axis centered if you are using the TFRP rudder system (sold separately): never put your feet on the TFRP rudder system's pedals when doing so.
- **I can't configure my TCA Quadrant Airbus Edition throttle quadrant.**
 - In your game's Options / Controller / Gamepad or Joystick menu, select the appropriate configuration or completely reconfigure the controller's options.
 - For more information, please refer to your game's user manual or online help.
 - Use the T.A.R.G.E.T (Thrustmaster Advanced pRogramming Graphical EdiTor) advanced programming software.
- **My TCA Quadrant Airbus Edition throttle quadrant is too sensitive, or not sensitive enough.**
 - The axes for the TCA Quadrant Airbus Edition throttle quadrant automatically calibrate themselves after a few movements, and after having reached the physical stops for the axes.
 - In your game's Options / Controller / Gamepad or Joystick menu, adjust the sensitivity and dead zones for your controller (if these options are available).
 - Use the T.A.R.G.E.T (Thrustmaster Advanced pRogramming Graphical EdiTor) advanced programming software.



This device is intended for use with respect to gaming entertainment purposes only. It is strictly forbidden to use this device for professional training activities.

CONSUMER WARRANTY INFORMATION

Worldwide, Guillemot Corporation S.A., whose registered office is located at Place du Granier, B.P. 97143, 35571 Chantepie, France (hereinafter "Guillemot") warrants to the consumer that this Thrustmaster product shall be free from defects in materials and workmanship, for a warranty period which corresponds to the time limit to bring an action for conformity with respect to this product. In the countries of the European Union, this corresponds to a period of two (2) years from delivery of the Thrustmaster product. In other countries, the warranty period corresponds to the time limit to bring an action for conformity with respect to the Thrustmaster product according to applicable laws of the country in which the consumer was domiciled on the date of purchase of the Thrustmaster product (if no such action exists in the corresponding country, then the warranty period shall be one (1) year from the original date of purchase of the Thrustmaster product).

Notwithstanding the above, rechargeable batteries are covered by a warranty period of six (6) months from the date of original purchase.

Should the product appear to be defective during the warranty period, immediately contact Technical Support, who will indicate the procedure to follow. If the defect is confirmed, the product must be returned to its place of purchase (or any other location indicated by Technical Support).

Within the context of this warranty, the consumer's defective product shall, at Technical Support's option, be either replaced or returned to working order. If, during the warranty period, the Thrustmaster product is subject to such reconditioning, any period of at least seven (7) days during which the product is out of use shall be added to the remaining warranty period (this period runs from the date of the consumer's request for intervention or from the date on which the product in question is made available for reconditioning, if the date on which the product is made available for reconditioning is subsequent to the date of the request for intervention). If permitted under applicable law, the full liability of Guillemot and its subsidiaries (including for consequential damages) is limited to the return to working order or the replacement of the Thrustmaster product. If permitted under applicable law, Guillemot disclaims all warranties of merchantability or fitness for a particular purpose.

This warranty shall not apply: (1) if the product has been modified, opened, altered, or has suffered damage as a result of inappropriate or abusive use, negligence, an accident, normal wear, or any other cause unrelated to a material or manufacturing defect (including, but not limited to, combining the Thrustmaster product with any unsuitable element, including in particular power supplies, rechargeable batteries, chargers, or any other elements not supplied by Guillemot for this product); (2) if the product has been used for any use other than home use, including for professional or commercial purposes (game rooms, training, competitions, for example); (3) in the event of failure to comply with the instructions provided by Technical Support; (4) to software, said software being subject to a specific warranty; (5) to consumables (elements to be replaced over the product's lifespan: disposable batteries, audio headset or headphone ear pads, for example); (6) to accessories (cables, cases, pouches, bags, wrist-straps, for example); (7) if the product was sold at public auction.

This warranty is nontransferable.

The consumer's legal rights with respect to laws applicable to the sale of consumer goods in his or her country are not affected by this warranty.

Additional warranty provisions

During the warranty period, Guillemot shall not provide, in principle, any spare parts, as Technical Support is the only party authorized to open and/or recondition any Thrustmaster product (with the exception of any reconditioning procedures which Technical Support may request that the consumer carry out, by way of written instructions – for example, due to the simplicity and the lack of confidentiality of the reconditioning process – and by providing the consumer with the required spare part(s), where applicable).

Given its innovation cycles and in order to protect its know-how and trade secrets, Guillemot shall not provide, in principle, any reconditioning notification or spare parts for any Thrustmaster product whose warranty period has expired.

In the United States of America and in Canada, this warranty is limited to the product's internal mechanism and external housing. In no event shall Guillemot or its affiliates be held liable to any third party for any consequential or incidental damages resulting from the breach of any express or implied warranties. Some States/Provinces do not allow limitation on how long an implied warranty lasts or exclusion or limitation of liability for consequential or incidental damages, so the above limitations or exclusions may not apply to you. This warranty gives you specific legal rights, and you may also have other rights which vary from State to State or Province to Province.

Liability

If permitted under applicable law, Guillemot Corporation S.A. (hereinafter "Guillemot") and its subsidiaries disclaim all liability for any damages caused by one or more of the following: (1) the product has been modified, opened or altered; (2) failure to comply with assembly instructions; (3) inappropriate or abusive use, negligence, an accident (an impact, for example); (4) normal wear; (5) the use of the product for any use other than home use, including for professional or commercial purposes (game rooms, training, competitions, for example). If permitted under applicable law, Guillemot and its subsidiaries disclaim all liability for any damages unrelated to a material or manufacturing defect with respect to the product (including, but not limited to, any damages caused directly or indirectly by any software, or by combining the Thrustmaster product with any unsuitable element, including in particular power supplies, rechargeable batteries, chargers, or any other elements not supplied by Guillemot for this product).

THRUSTMASTER®

TECHNICAL SUPPORT

<https://support.thrustmaster.com>



DECLARATION OF CONFORMITY

CANADIAN COMPLIANCE NOTICE: this Class B digital apparatus meets all requirements of the Canadian Interference-Causing Equipment Regulations.

USA COMPLIANCE NOTICE: this equipment has been tested and found to comply with the limits for a Class B digital device, pursuant to Part 15 of the FCC rules. Operation is subject to the following two conditions:

- (1) This device may not cause harmful interference, and
- (2) This device must accept any interference received, including interference that may cause undesired operation.

These limits are designed to provide reasonable protection against harmful interference in a residential installation. This equipment generates, uses and can radiate radio frequency energy and, if not installed and used in accordance with the instructions, may cause harmful interference to radio communications. However, there is no guarantee that interference will not occur in a particular installation. If this equipment does cause harmful interference to radio or television reception, which can be determined by turning the equipment on and off, the user is encouraged to try to correct the interference by one or more of the following measures:

- Reorient or relocate the receiving antenna.
- Increase the separation between the equipment and receiver.
- Connect the equipment into an outlet on a circuit different from that to which the receiver is connected.
- Consult the dealer or an experienced radio/TV technician for help.

COPYRIGHT

© 2020 Guillemot Corporation S.A. All rights reserved. Thrustmaster® is a registered trademark of Guillemot Corporation S.A. Windows® is a registered trademark of Microsoft Corporation in the United States and/or other countries.

AIRBUS, its logo and product and service marks are registered trademarks of Airbus. All rights reserved.

© Airbus 2020. All rights reserved. Officially licensed by Airbus.

All other trademarks and brand names are hereby acknowledged and are property of their respective owners. Illustrations not binding. Contents, designs and specifications are subject to change without notice and may vary from one country to another. Made in China.

ENVIRONMENTAL PROTECTION RECOMMENDATION



* In the European Union: At the end of its working life, this product should not be disposed of with standard household waste, but rather dropped off at a collection point for the disposal of Waste Electrical and Electronic Equipment (WEEE) for recycling.

This is confirmed by the symbol found on the product, user manual or packaging.

Depending on their characteristics, the materials may be recycled. Through recycling and other forms of processing Waste Electrical and Electronic Equipment, you can make a significant contribution towards helping to protect the environment.

Please contact your local authorities for information on the collection point nearest you.

For all other countries: Please adhere to local recycling laws for electrical and electronic equipment.

Retain this information. Colors and decorations may vary.

Plastic fasteners and adhesives should be removed from the product before it is used.

This product conforms to all standards regarding children 14 years of age and older. This product is not suitable for use by children less than 14 years of age.

www.thrustmaster.com

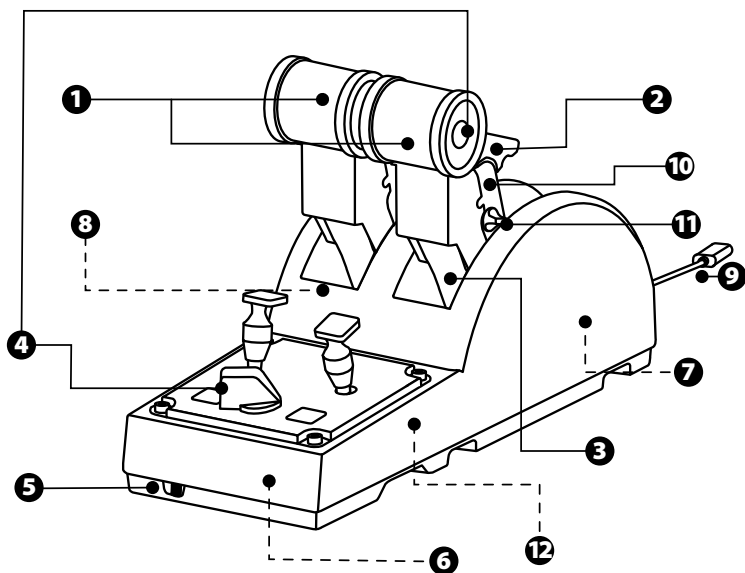
*Applicable to EU and Turkey only

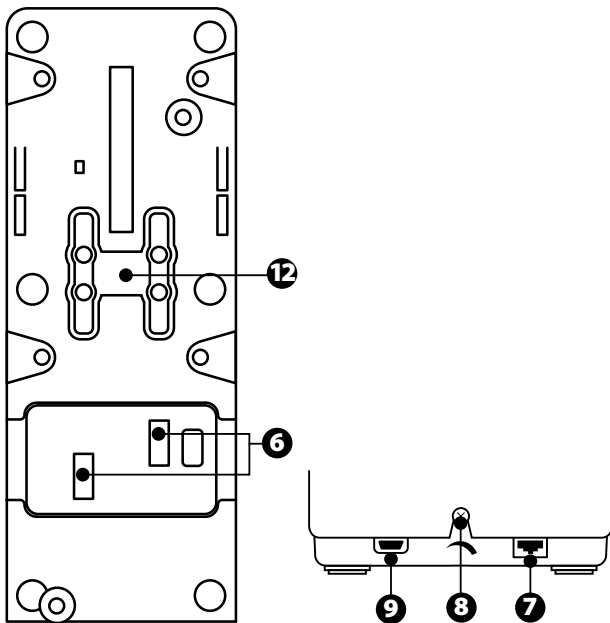


TCA QUADRANT AIRBUS EDITION

Manuel de l'utilisateur

CARACTERISTIQUES TECHNIQUES





- | | |
|--|--|
| <ol style="list-style-type: none"> 1. Axes X et Y de la manette des gaz 2. Mécanisme inverseur de poussée sur chaque axe 3. 4 détentes par axe – 4 boutons virtuels par axe 4. 8 boutons d'action 5. Sélecteur moteurs 1&2 ou 3&4 6. Connecteurs SATA pour modules externes TCA Quadrant Add-On Airbus Edition (vendus séparément) | <ol style="list-style-type: none"> 7. Connecteur du palonnier TFRP (vendu séparément) 8. Vis d'ajustement de la friction 9. Connecteur USB type B 10. Emplacement pour barre de jonction 11. Mécanisme de désactivation de l'inverseur de poussée sur chaque axe 12. Mécanisme de désactivation des crans sur chaque axe |
|--|--|

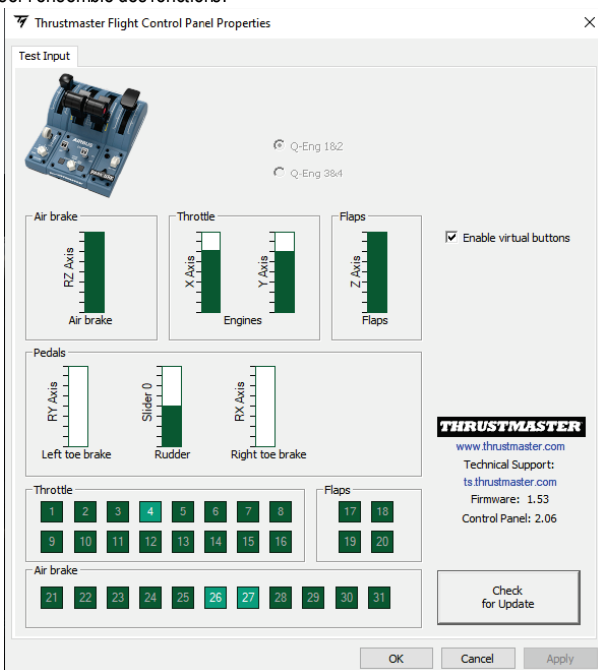
INSTALLATION SUR PC

1. Allez sur <https://support.thrustmaster.com/>. Cliquez sur Joysticks / TCA Quadrant Airbus Edition, puis sélectionnez Pilotes. Téléchargez et installez le pilote PC et son interface personnalisée du Control Panel Windows.
2. Une fois le pilote PC installé, branchez le connecteur USB sur l'un des ports USB de votre PC.
3. Pour accéder au Control Panel, sélectionnez **Démarrer / Applications / Thrustmaster / Control Panel** ou **Panneau de configuration** (sous Windows® 10 / 8.1 / 8).

La boîte de dialogue **Contrôleurs de jeu** s'affiche.

L'accessoire apparaît à l'écran sous le nom **TCA Q-Eng 1&2** (ou **TCA Q-Eng 3&4**, selon la position du sélecteur 5) et l'état **OK**.

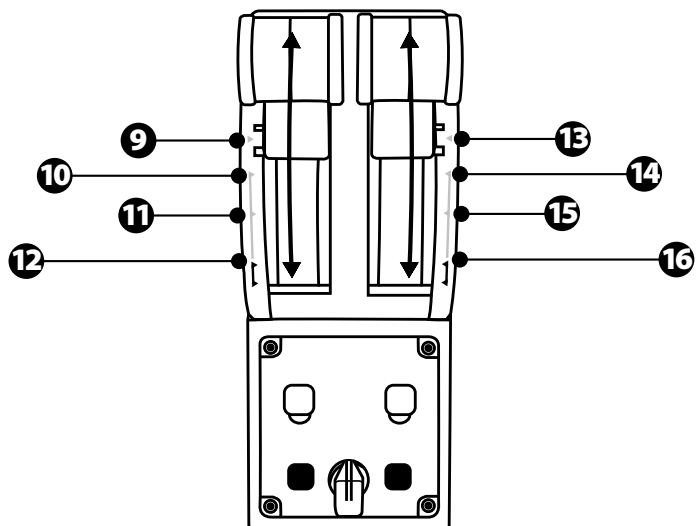
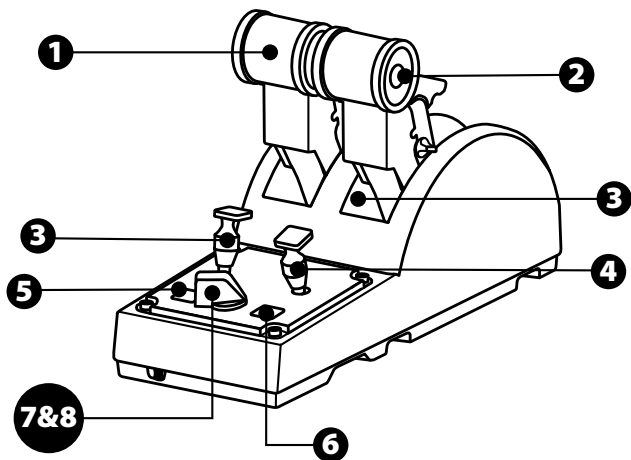
4. Dans la boîte de dialogue **Contrôleurs de jeu**, cliquez sur **Propriétés** pour tester et visualiser l'ensemble des fonctions.

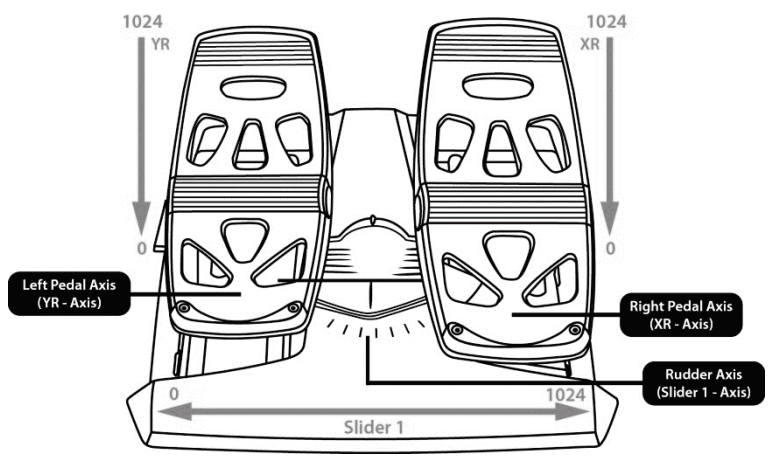
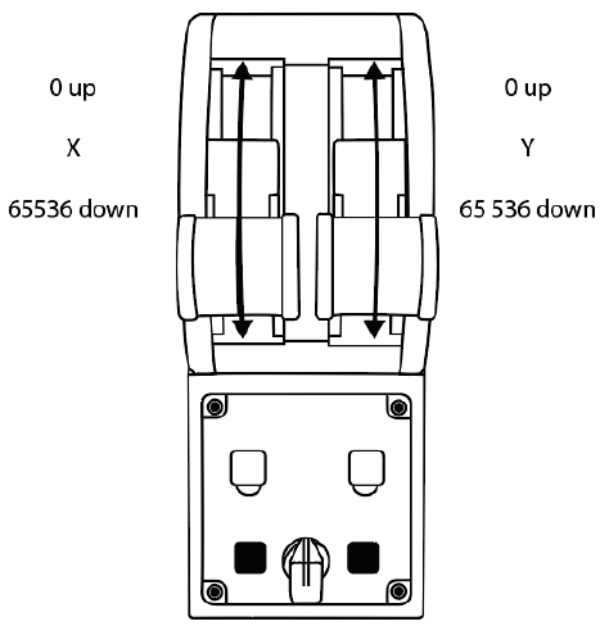


Enable virtual buttons (Activer les boutons virtuels) : Cette fonction permet d'activer ou de désactiver les boutons virtuels présents sur les axes de la manette des gaz. Cliquez sur **Apply** (**Appliquer**) après avoir sélectionné le mode souhaité.

Vous êtes maintenant prêt à jouer !

MAPPING DES 16 BOUTONS ET DES 2 AXES



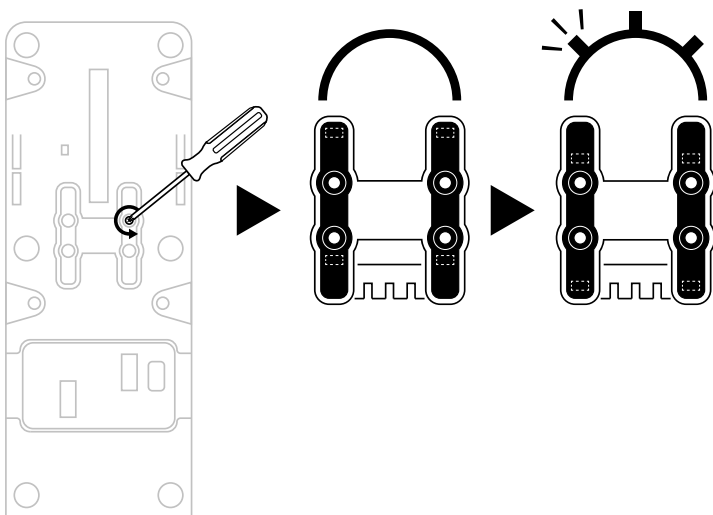


MODIFICATION DES AXES SUR LA MANETTE DES GAZ TCA QUADRANT AIRBUS EDITION

La manette des gaz TCA Quadrant Airbus Edition possède des sélecteurs mécaniques pour désactiver les détentes et crans sur chaque axe. Cette fonctionnalité permet d'obtenir des axes lisses tout en conservant les boutons virtuels 9 à 16.

Cette fonctionnalité offre la possibilité de varier les sensations de pilotage selon le type d'avion présent dans votre simulation (avion commercial ou civil).

1. Retournez le TCA Quadrant Airbus Edition, dévissez les deux vis pour chacun des sélecteurs à l'aide d'un tournevis adapté.
2. Inversez la position des sélecteurs en utilisant les indicateurs présents pour obtenir, sur chaque axe de la manette des gaz TCA Quadrant Airbus Edition, un axe lisse ou cranté.

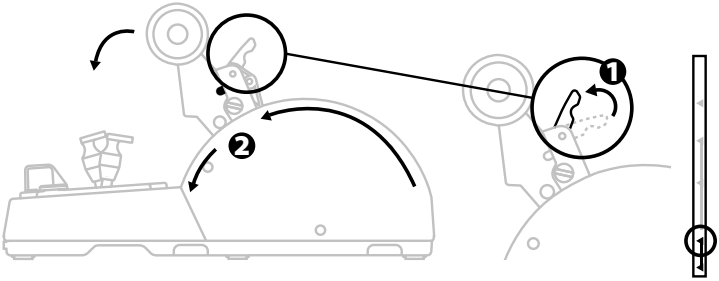


DESACTIVATION DES INVERSEURS DE POUSSEE SUR LA MANETTE DES GAZ TCA QUADRANT AIRBUS EDITION

La manette des gaz TCA Quadrant possède des inverseurs de poussée fonctionnels, réplique des manettes des gaz de l'aviation commerciale d'Airbus. Il est possible de désactiver le mécanisme des inverseurs pour obtenir un pilotage plus adapté à l'aviation civile.

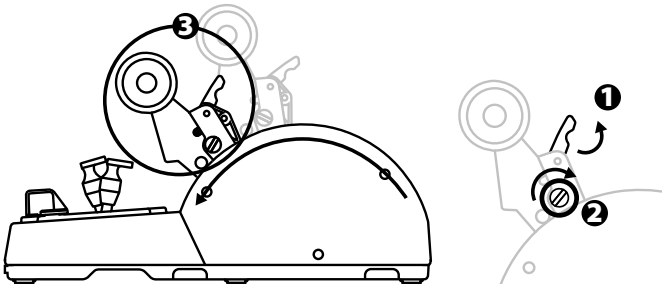
Mode avion de ligne commercial :

1. A la butée, soulevez le mécanisme d'inverseur de poussée.
2. Le passage de la butée permet d'activer l'inverseur de poussée.

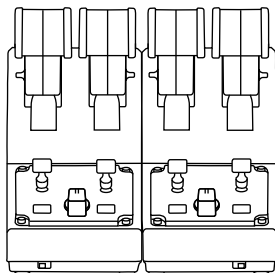


Mode aviation générale et civile :

1. Soulevez le mécanisme d'inverseur de poussée.
2. Tournez le sélecteur vers la position 0 pour désactiver le mécanisme d'inverseur de poussée.
3. La manette des gaz peut parcourir la totalité de l'axe.

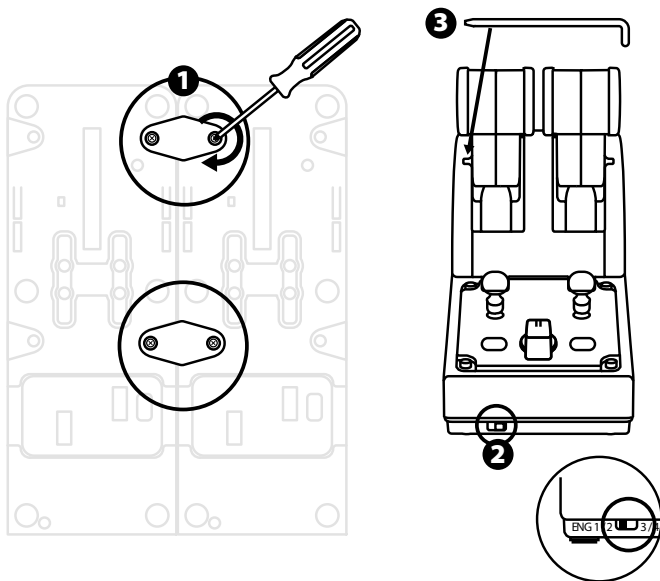


CONNECTER DEUX MANETTES DES GAZ TCA QUADRANT AIRBUS EDITION

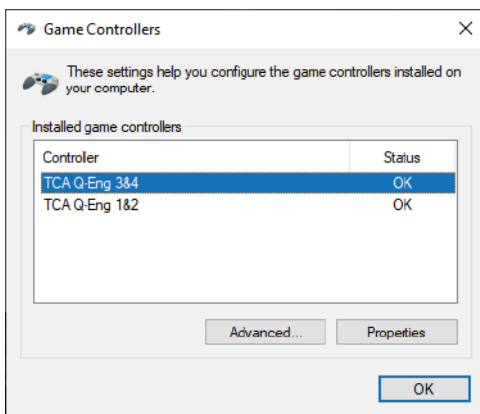


Il est possible d'associer une seconde manette des gaz TCA Quadrant Airbus Edition (vendue séparément) pour obtenir une manette des gaz avec 4 axes et ainsi simuler un avion de ligne commercial quadrimoteur, par exemple.

1. Retournez les blocs manette et vissez les deux pièces de fixation fournies avec la manette des gaz TCA Quadrant Airbus Edition.
2. Sur le second bloc manette, activez la fonction 3&4 pour associer les moteurs 3 et 4 au second bloc manette dans le panneau de contrôle sur PC.
3. Solidarisez les axes par paire (1&2 et 3&4) pour faciliter leur manipulation avec la barre de jonction fournie avec chaque TCA Quadrant Airbus Edition.

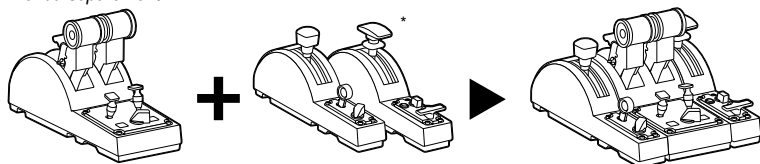


4. Une fois les deux produits connectés, ils apparaissent indépendamment dans la boîte de dialogue **Contrôleurs de jeu**:



CONNECTER LA MANETTE DES GAZ TCA QUADRANT AIRBUS EDITION AU TCA QUADRANT ADD-ON AIRBUS EDITION*

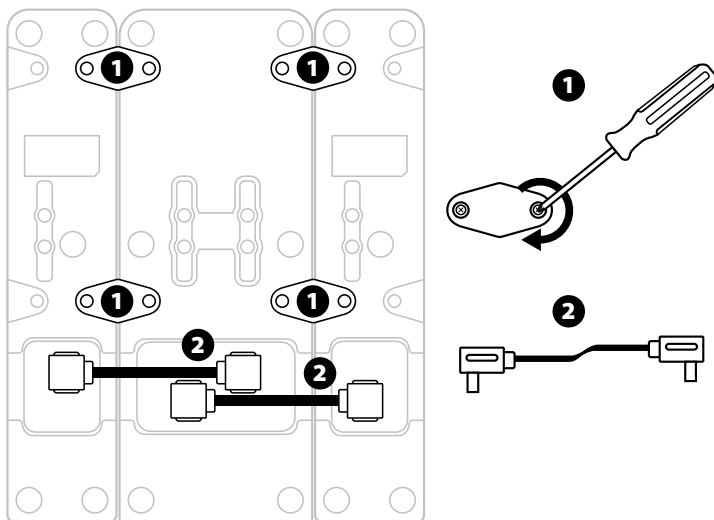
*Vendu séparément



La manette des gaz TCA Quadrant Airbus Edition est évolutive et permet de connecter les modules supplémentaires du TCA Quadrant Add-On Airbus Edition (vendu séparément) de part et d'autre du TCA Quadrant Airbus Edition.

Cette modularité ajoute de nouveaux axes et boutons d'action et permet d'étendre les cinématiques de décollage, de vol et d'atterrissage de la manette des gaz TCA Quadrant Airbus Edition.

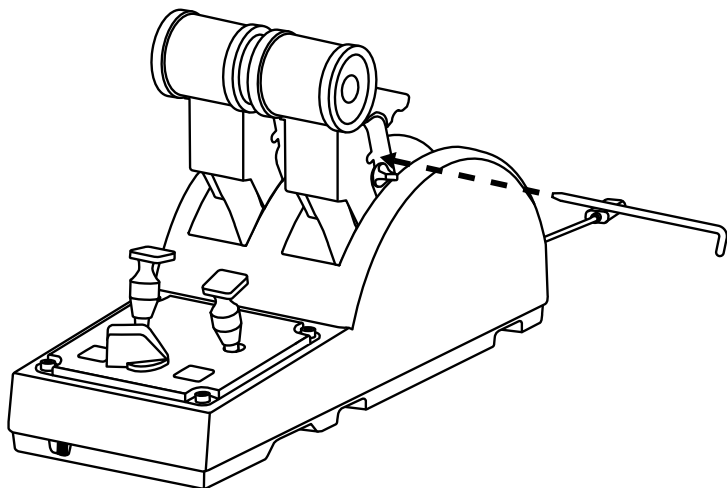
1. Retournez le bloc manette et vissez à l'aide d'un tournevis les quatre pièces de fixation fournies avec la manette des gaz TCA Quadrant Airbus Edition et le TCA Quadrant Add-On Airbus Edition pour solidariser l'ensemble.
2. Connectez les modules Aérofreins (Speedbrake) à gauche et Volets (Flaps) à droite avec les câbles SATA fournis avec le TCA Quadrant Add-On Airbus Edition.



- Pour éviter d'endommager les produits, utilisez un tournevis pour serrer/desserrer les vis.
- Seuls les câbles officiels fournis par Thrustmaster doivent être utilisés.

ATTACHER / SÉPARER LES DEUX MANETTES DES GAZ

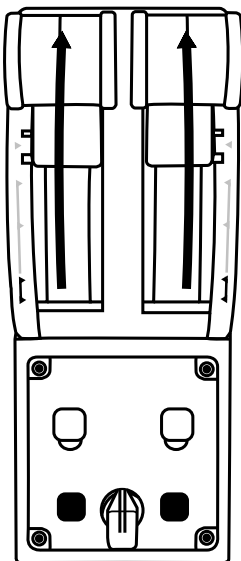
Utilisez la barre de jonction incluse avec la manette des gaz TCA Quadrant Airbus Edition pour solidariser les deux manettes des gaz.



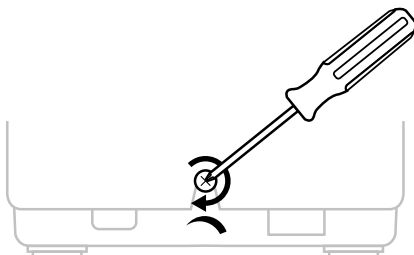
AJUSTEMENT DE LA FRICTION

REMARQUES IMPORTANTES :

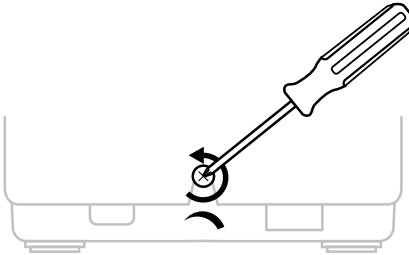
- La friction de la double manette des gaz est réglée par défaut à 50%.
 - Afin de permettre un réglage précis selon votre convenance, vous pouvez utiliser un tournevis ou la barre de jonction incluse.
1. Poussez l'axe de la manette des gaz au maximum, puis accédez à la vis d'ajustement de la friction à l'arrière du TCA Quadrant Airbus Edition.



2. Pour durcir la friction, tournez la vis dans le sens des aiguilles d'une montre.



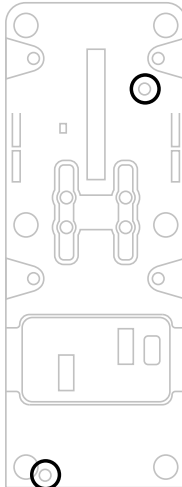
3. Pour assouplir la friction, tournez la vis dans le sens inverse des aiguilles d'une montre.



- Pour éviter d'endommager le système de friction, ne serrez pas trop fort la vis d'ajustement. Arrêtez de tourner lorsque vous sentez une résistance.
- Ne dévissez pas complètement la vis d'ajustement afin d'éviter qu'elle ne tombe dans la coque interne du TCA Quadrant Airbus Edition.

INSTALLATION DU BLOC MANETTE TCA QUADRANT AIRBUS EDITION SUR UN COCKPIT OU AUTRE SUPPORT FIXE

Vous pouvez utiliser les deux perforations situées en dessous du TCA Quadrant Airbus Edition pour fixer l'ensemble sur un support fixe à l'aide de vis M6 (non fournies).



INSTALLATION DU PALONNIER TFRP* SUR LE BLOC MANETTE TCA QUADRANT AIRBUS EDITION

**Vendu séparément*

La manette des gaz TCA Quadrant Airbus Edition possède 7 axes, dont 3 axes sont réservés au palonnier TFRP.

Le palonnier TFRP se branche directement sur la manette des gaz TCA Quadrant Airbus Edition.

1. Branchez le connecteur mâle RJ12 du palonnier sur le connecteur femelle RJ12 situé à l'arrière de la manette des gaz TCA Quadrant Airbus Edition.
2. Branchez le connecteur USB de la manette des gaz TCA Quadrant Airbus Edition sur l'un des ports USB de votre PC.

Remarques importantes relatives à la calibration automatique des axes :

- Laissez toujours l'axe du palonnier centré lorsque vous branchez le palonnier TFRP à la manette des gaz TCA Quadrant Airbus Edition. Ne posez pas les pieds sur le palonnier.
- Les 3 axes des pédales se calibrent automatiquement après quelques mouvements et lorsque les butées physiques de l'axe du palonnier et des 2 axes de freins différentiels sont atteints.

LOGICIEL DE PROGRAMMATION AVANCÉE T.A.R.G.E.T

(Thrustmaster Advanced Programming Graphical EdiTor)

Allez sur <https://support.thrustmaster.com>. Cliquez sur Joysticks / TCA Quadrant, puis sélectionnez Logiciel. Téléchargez et installez le logiciel de programmation avancée T.A.R.G.E.T.

Principales caractéristiques de T.A.R.G.E.T :

- Diverses configurations possibles des axes.
- Plusieurs niveaux de programmation possibles : Basic, Advanced et Script.
- Utilisation du principe Drag and Drop.
- Fusion possible de la manette des gaz TCA Quadrant avec les autres joysticks - Thrustmaster (Hotas Cougar, Hotas Warthog, T.16000M, MFD Cougar Pack, également compatibles avec T.A.R.G.E.T) permettant la reconnaissance d'un seul périphérique USB.
- Accès aux profils avancés créés par la communauté Thrustmaster.



DEPANNAGE ET AVERTISSEMENT

- Ma manette des gaz TCA Quadrant Airbus Edition ne fonctionne pas correctement ou semble mal calibrée.

- Éteignez votre ordinateur, débranchez le connecteur USB du TCA Quadrant Airbus Edition, rebranchez-le, rallumez votre ordinateur, puis relancez votre jeu.

- Lorsque vous branchez le connecteur USB du TCA Quadrant Airbus Edition, laissez toujours l'axe du palonnier centré si vous utilisez le TFRP (vendu séparément). Ne posez pas les pieds sur le palonnier.

- Je n'arrive pas à configurer ma manette des gaz TCA Quadrant Airbus Edition.

- Dans le menu Options / Contrôleur / Manette ou Joystick de votre jeu, choisissez la configuration appropriée ou reconfigurez complètement les options du contrôleur.

- Pour plus d'informations, reportez-vous au manuel de l'utilisateur ou à l'aide en ligne de votre jeu.

- Utilisez le logiciel de programmation avancée T.A.R.G.E.T (Thrustmaster Advanced pRogramming Graphical EdiTor).

- Ma manette des gaz TCA Quadrant Airbus Edition est trop ou pas assez sensible.

- Les axes du TCA Quadrant Airbus Edition s'auto-calibrent après quelques mouvements effectués et après avoir atteint les butées physiques des axes.

- Dans le menu Options / Contrôleur / Manette ou Joystick de votre jeu, ajustez la sensibilité et les zones mortes de votre contrôleur, si l'option est disponible.

- Utilisez le logiciel de programmation avancée T.A.R.G.E.T (Thrustmaster Advanced pRogramming Graphical EdiTor).



Ce périphérique est destiné à un usage de jeu de divertissement uniquement. Il est strictement interdit de l'utiliser dans le cadre d'activités de formation professionnelle.

INFORMATIONS RELATIVES A LA GARANTIE AUX CONSOMMATEURS

Dans le monde entier, Guillemot Corporation S.A., ayant son siège social Place du Granier, B.P. 97143, 35571 Chantepie, France (ci-après « Guillemot ») garantit au consommateur que le présent produit Thrustmaster est exempt de défaut matériel et de vice de fabrication, et ce, pour une période de garantie qui correspond au délai pour intenter une action en conformité de ce produit. Dans les pays de l'Union Européenne, ce délai est de deux (2) ans à compter de la délivrance du produit Thrustmaster. Dans les autres pays, la durée de la période de garantie correspond au délai pour intenter une action en conformité du produit Thrustmaster selon la législation en vigueur dans le pays où le consommateur avait son domicile lors de l'achat du produit Thrustmaster (si une telle action en conformité n'existe pas dans ce pays alors la période de garantie est de un (1) an à compter de la date d'achat d'origine du produit Thrustmaster).

Si, au cours de la période de garantie, le produit semble défectueux, contactez immédiatement le Support Technique qui vous indiquera la procédure à suivre. Si le défaut est confirmé, le produit devra être retourné à son lieu d'achat (ou tout autre lieu indiqué par le Support Technique).

Dans le cadre de la garantie, le consommateur bénéficiera, au choix du Support Technique, d'un remplacement ou d'une remise en état de marche du produit défectueux. Si, pendant la période de garantie, le produit Thrustmaster fait l'objet d'une telle remise en état, toute période d'immobilisation d'au moins sept jours vient s'ajouter à la durée de la garantie qui restait à courir (cette période court à compter de la demande d'intervention du consommateur ou de la mise à disposition pour remise en état du produit en cause, si cette mise à disposition est postérieure à la demande d'intervention). Lorsque la loi applicable l'autorise, toute responsabilité de Guillemot et ses filiales (y compris pour les dommages indirects) se limite à la remise en état de marche ou au remplacement du produit Thrustmaster. Lorsque la loi applicable l'autorise, Guillemot exclut toutes garanties de qualité marchande ou d'adaptation à un usage particulier.

Cette garantie ne s'appliquera pas : (1) si le produit a été modifié, ouvert, altéré, ou a subi des dommages résultant d'une utilisation inappropriée ou abusive, d'une négligence, d'un accident, de l'usure normale, ou de toute autre cause non liée à un défaut matériel ou à un vice de fabrication (y compris, mais non limitativement, une combinaison du produit Thrustmaster avec tout élément inadapté, notamment alimentations électriques, batteries, chargeurs, ou tous autres éléments non-fournis par Guillemot pour ce produit) ; (2) si le produit a été utilisé en dehors du cadre privé, à des fins professionnelles ou commerciales (salles de jeu, formations, compétitions, par exemple). (3) en cas de non respect des instructions du Support Technique ; (4) aux logiciels, lesdits logiciels faisant l'objet d'une garantie spécifique ; (5) aux consommables (éléments à remplacer pendant la durée de vie du produit : piles, coussinets de casque audio, par exemple) ; (6) aux accessoires (câbles, étuis, housses, sacs, dragonnes, par exemple) ; (7) si le produit a été vendu aux enchères publiques.

Cette garantie n'est pas transférable.

Les droits légaux du consommateur au titre de la législation applicable dans son pays à la vente de biens de consommation ne sont pas affectés par la présente garantie.

Par exemple, en France, indépendamment de la présente garantie, le vendeur reste tenu de la garantie légale de conformité mentionnée aux articles L. 217-4 à L.217-12 du code de la consommation et de celle relative aux défauts (vices cachés) de la chose vendue, dans les conditions prévues aux articles 1641 à 1648 et 2232 du code civil. La loi applicable (c'est-à-dire la loi française) impose de reproduire les extraits de la loi française suivants :

Article L. 217-4 du code de la consommation :

Le vendeur livre un bien conforme au contrat et répond des défauts de conformité existant lors de la délivrance.

Il répond également des défauts de conformité résultant de l'emballage, des instructions de montage ou de l'installation lorsque celle-ci a été mise à sa charge par le contrat ou a été réalisée sous sa responsabilité.

Article L. 217-5 du code de la consommation :

Le bien est conforme au contrat :

1° S'il est propre à l'usage habituellement attendu d'un bien semblable et, le cas échéant :

- s'il correspond à la description donnée par le vendeur et possède les qualités que celui-ci a présentées à l'acheteur sous forme d'échantillon ou de modèle ;

- s'il présente les qualités qu'un acheteur peut légitimement attendre eu égard aux déclarations publiques faites par le vendeur, par le producteur ou par son représentant, notamment dans la publicité ou l'étiquetage ;

2° Ou s'il présente les caractéristiques définies d'un commun accord par les parties ou est propre à tout usage spécial recherché par l'acheteur, porté à la connaissance du vendeur et que ce dernier a accepté.

Article L. 217-12 du code de la consommation :

L'action résultant du défaut de conformité se prescrit par deux ans à compter de la délivrance du bien.

Article L. 217-16 du code de la consommation :

Lorsque l'acheteur demande au vendeur, pendant le cours de la garantie commerciale qui lui a été consentie lors de l'acquisition ou de la réparation d'un bien meuble, une remise en état couverte par la garantie, toute période d'immobilisation d'au moins sept jours vient s'ajouter à la durée de la garantie qui restait à courir.

Cette période court à compter de la demande d'intervention de l'acheteur ou de la mise à disposition pour réparation du bien en cause, si cette mise à disposition est postérieure à la demande d'intervention.

Article L. 1641 du code civil:

Le vendeur est tenu de la garantie à raison des défauts cachés de la chose vendue qui la rendent impropre à l'usage auquel on la destine, ou qui diminuent tellement cet usage que l'acheteur ne l'aurait pas acquise, ou n'en aurait donné qu'un moindre prix, s'il les avait connus.

Article L. 1648 alinéa 1^{er} du code civil:

L'action résultant des vices rédhibitoires doit être intentée par l'acquéreur dans un délai de deux ans à compter de la découverte du vice.

Stipulations additionnelles à la garantie

Pendant la période de garantie, Guillemot ne fournira, en principe, pas de pièce détachée car le Support Technique est seul habilité tant à ouvrir qu'à remettre en état tout produit Thrustmaster (à l'exception des remises en état que le Support Technique demanderait, par instructions écrites, au consommateur d'effectuer -par exemple en raison de la simplicité et de l'absence de confidentialité du processus de remise en état-, en lui fournissant, le cas échéant, la ou les pièces détachées nécessaires).

Compte tenu de ses cycles d'innovation et pour préserver ses savoir-faire et secrets, Guillemot ne fournira, en principe, ni notice de remise en état, ni pièce détachée pour tout produit Thrustmaster dont la période de garantie est expirée.

Aux États-Unis d'Amérique et au Canada, la présente garantie est limitée au mécanisme interne et au boîtier externe du produit. En aucun cas, Guillemot ou ses sociétés affiliées ne sauraient être tenues responsables envers qui que ce soit de tous dommages indirects ou dommages accessoires résultant du non respect des garanties expresses ou implicites. Certains États/Provinces n'autorisent pas la limitation sur la durée d'une garantie implicite, ou l'exclusion ou la limitation de responsabilité pour les dommages indirects et accessoires, de sorte que les limitations ou exclusions ci-dessus peuvent ne pas vous être applicables. Cette garantie vous confère des droits spécifiques ; vous pouvez également bénéficier d'autres droits qui peuvent différer d'un État/Province à l'autre.

Responsabilité

Lorsque la loi applicable l'autorise, Guillemot Corporation S.A. (ci-après « Guillemot ») et ses filiales excluent toute responsabilité pour tous dommages causés par un ou plusieurs des faits suivants: (1) le produit a été modifié, ouvert, altéré, (2) l'irrespect des instructions de montage, (3) l'utilisation inappropriée ou abusive, la négligence, l'accident (un choc, par exemple), (4) l'usure normale du produit, (5) l'utilisation du produit en dehors du cadre privé, à des fins professionnelles ou commerciales (salles de jeu, formations, compétitions, par exemple). Lorsque la loi applicable l'autorise, Guillemot et ses filiales excluent toute responsabilité pour tout dommage dont la cause n'est pas liée à un défaut matériel ou à un vice de fabrication du produit (y compris, mais non limitativement, tout dommage causé directement ou indirectement par tout logiciel, ou par une combinaison du produit Thrustmaster avec tout élément inadapté, notamment alimentations électriques, batteries, chargeurs, ou tous autres éléments non-fournis par Guillemot pour ce produit).

THRUSTMASTER®

SUPPORT TECHNIQUE

<https://support.thrustmaster.com>



Déclaration de conformité

UTILISATEURS CANADIENS :

Cet appareil numérique de la classe B respecte toutes les exigences du Règlement sur le matériel brouilleur du Canada.

COPYRIGHT

© 2020 Guillemot Corporation S.A. Tous droits réservés. Thrustmaster® est une marque déposée de Guillemot Corporation S.A. Windows® est une marque déposée de Microsoft Corporation aux Etats-Unis et/ou dans d'autres pays. AIRBUS, son logo et les marques de produit et de service sont des marques déposées d'Airbus. Tous droits réservés. © Airbus 2020. Tous droits réservés. Sous licence officielle Airbus.

Toutes les autres marques sont la propriété de leurs propriétaires respectifs. Illustrations non contractuelles. Le contenu, la conception et les spécifications sont susceptibles de changer sans préavis et de varier selon les pays. Fabriqué en Chine.

RECOMMANDATION RELATIVE A LA PROTECTION DE L'ENVIRONNEMENT



* Dans l'Union Européenne : En fin de vie, ce produit ne doit pas être éliminé avec les déchets ménagers normaux mais déposé à un point de collecte des déchets d'équipements électriques et électroniques en vue de son recyclage.

Ceci est confirmé par le symbole figurant sur le produit, le manuel utilisateur ou l'emballage.

En fonction de leurs caractéristiques, les matériaux peuvent être recyclés. Par le recyclage et par les autres formes de valorisation des déchets d'équipements électriques et électroniques, vous contribuez de manière significative à la protection de l'environnement. Veuillez consulter les autorités locales qui vous indiqueront le point de collecte concerné.

Dans les autres pays : Veuillez-vous reporter aux législations locales relatives au recyclage des équipements électriques et électroniques.

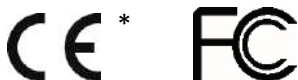
Informations à conserver. Les couleurs et décorations peuvent varier.

Il est recommandé de retirer les attaches en plastique et les adhésifs avant d'utiliser le produit.

Ce produit est en conformité avec l'ensemble des normes relatives aux enfants de plus de 14 ans. Il ne convient pas aux enfants de moins de 14 ans.

www.thrustmaster.com

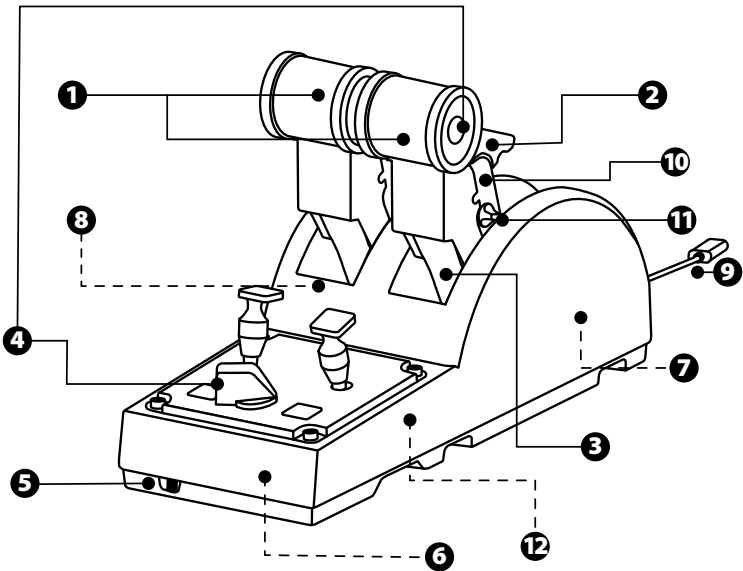
**Applicable à l'UE et la Turquie uniquement*



TCA QUADRANT AIRBUS EDITION

Bedienungsanleitung

TECHNISCHE AUSSTATTUNG



EN

FR

DE

NL

IT

ES

PT

RU

CS

TR

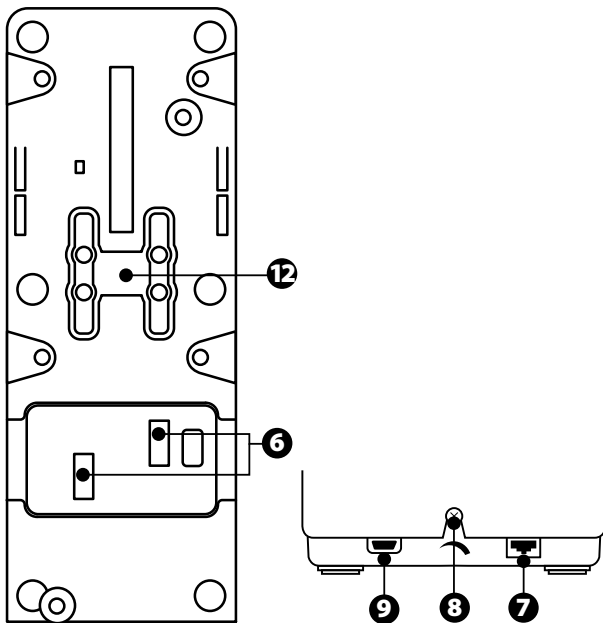
PL

日本語

繁體中文

한국어

العربية



- | | |
|---|--|
| <ol style="list-style-type: none"> 1. X- und Y-Achse des Schubhebels 2. Schubumkehr-Mechanismus an der jeweiligen Achse 3. 4 Arretierungen pro Achse – 4 virtuelle Tasten pro Achse 4. 8 Action-Buttons 5. Wählschalter für Triebwerke: 1/2 oder 3/4 6. SATA-Anschlüsse für externe TCA Quadrant Add-On Airbus Edition-Module (Add-on separat erhältlich) | <ol style="list-style-type: none"> 7. Anschluss für TFRP-Steuerruder-System (separat erhältlich) 8. Schraube zur Friktionseinstellung 9. USB-Anschluss (Typ B) 10. Position der Querstange 11. Mechanismus zur Aktivierung/Deaktivierung der Schubumkehr an jeder Achse 12. Mechanismus zur Aktivierung/Deaktivierung der Arretierungen an jeder Achse |
|---|--|

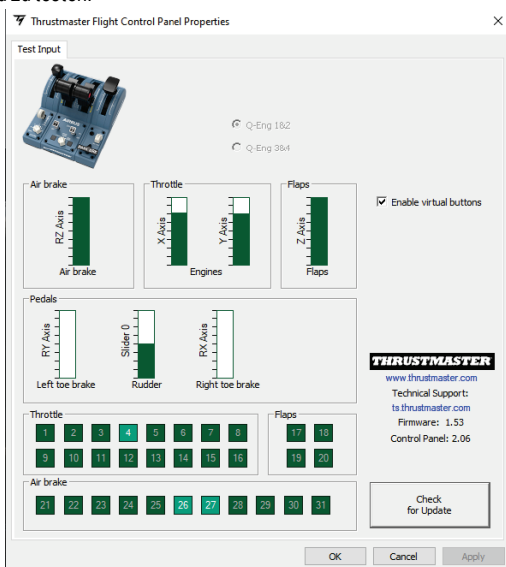
INSTALLATION AUF EINEM PC

1. Bitte besuchen Sie <https://support.thrustmaster.com/>. Klicken Sie auf **Joysticks / TCA Quadrant Airbus Edition** und wählen Sie **Treiber**. Laden Sie den PC-Treiber herunter und installieren Sie ihn und seine für Windows angepasste Schnittstelle der Systemsteuerung.
2. Nach der Installation des PC-Treibers verbinden Sie den USB-Anschluss des Geräts mit einem der USB-Ports Ihres Computers.
3. Zum Öffnen der Systemsteuerung klicken Sie **Start / Apps / Thrustmaster / Systemsteuerung** (in Windows® 10 / 8.1 / 8).

Es öffnet sich das Dialogfeld **Gamecontroller**.

Das Zubehör ist unter dem Namen **TCA Q-Eng 1&2** (oder **TCA Q-Eng 3&4**, was von der Position des Wählschalters für die Triebwerke abhängt **[5]**) aufgelistet, daneben steht als Status **OK**.

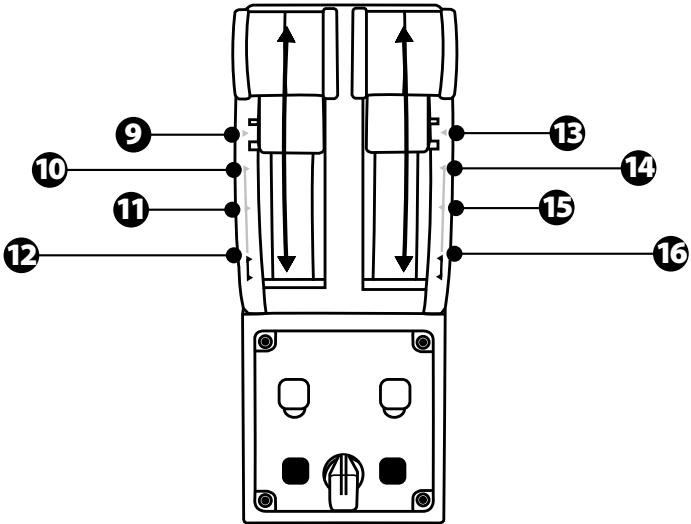
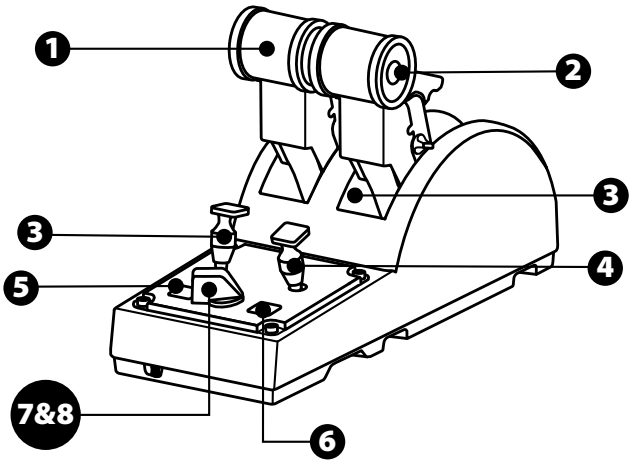
4. In dem Dialogfeld **Gamecontroller** klicken Sie auf **Eigenschaften**, um alle Funktionen zu sehen und zu testen.

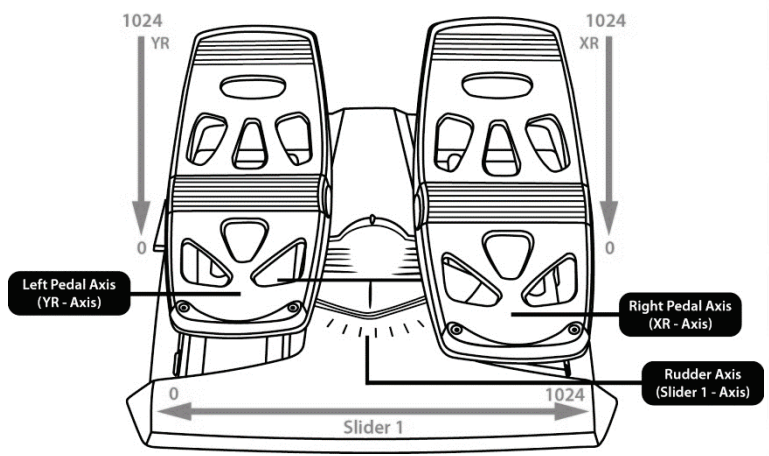
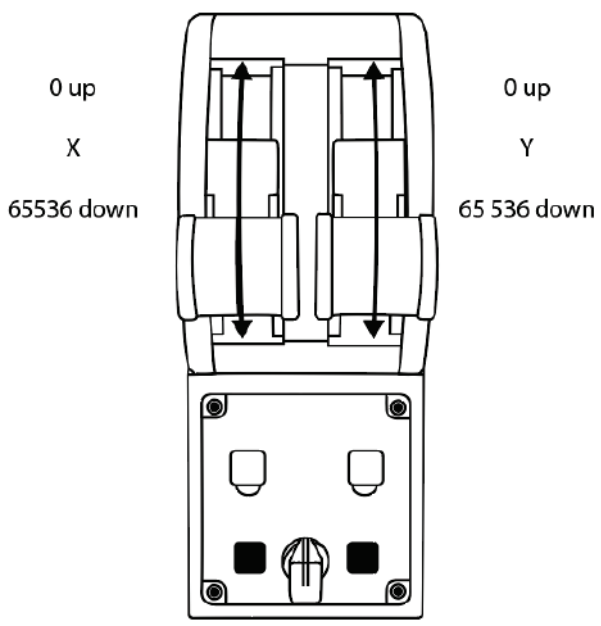


Enable virtual buttons (Virtuelle Tasten aktivieren): Diese Funktion ermöglicht es, die virtuellen Tasten auf den Schubhebel-Achsen zu aktivieren oder zu deaktivieren. Klicken Sie auf **Apply** (Anwenden), sobald Sie Ihren Modus ausgewählt haben.

Sie sind jetzt soweit, dass Sie spielen können!

BELEGUNG DER 16 TASTEN UND 2 AXSEN



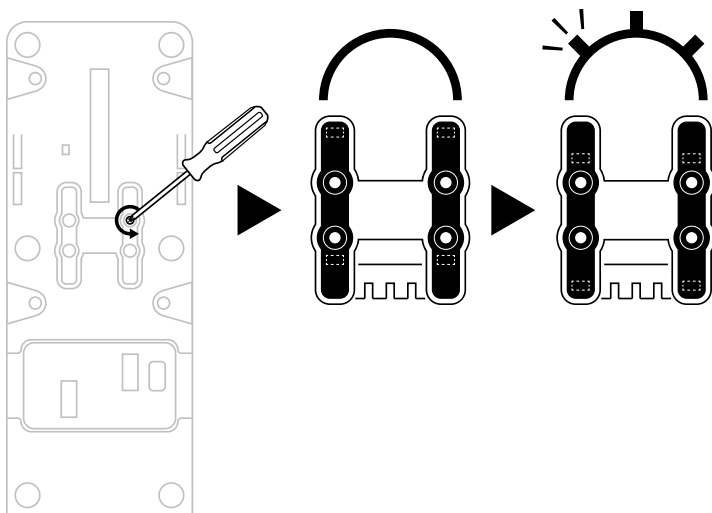


ÄNDERUNGEN AM SCHUBHEBEL-QUADRANTEN DER TCA QUADRANT AIRBUS EDITION VORNEHMEN

Der Schubhebel-Quadrant der TCA Quadrant Airbus Edition verfügt über mechanische Wählschalter, mit denen Sie die Arretierungen/Rasten an den jeweiligen Achsen deaktivieren. Dadurch erhalten Sie glatte, unterbrechungsfreie Achsen, während die virtuellen Tasten 9 bis 16 erhalten bleiben.

Mit dieser Option können Sie das Fluggefühl des Piloten je nach dem in Ihrer Simulation verwendeten Flugzeugtyp (Verkehrsflugzeug oder Zivillflugzeug) ändern.

1. Drehen Sie die TCA Quadrant Airbus Edition auf den Kopf und schrauben Sie die beiden Schrauben für jeden der Wählschalter mit einem Schraubendreher mit dem passenden Kopfform heraus.
2. Wechseln Sie die Position der Wählschalter, wobei Sie sich an den Indikatoren orientieren: So können Sie entweder eine glatte Achse oder eine Achse mit Arretierungen/Rasten für jede Achse auf dem Schubhebel-Quadranten der TCA Quadrant Airbus Edition wählen.

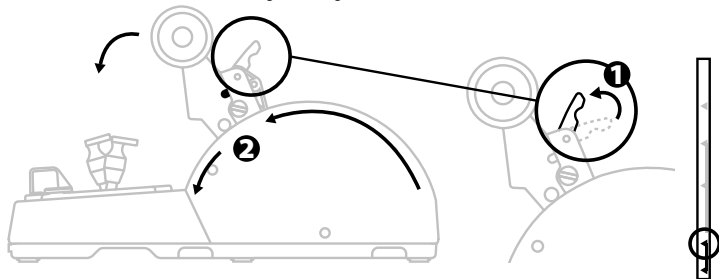


DEAKTIVIERUNG DER SCHUBUMKEHR AN DEN SCHUBHEBEL-QUADRANTEN DER TCA QUADRANT AIRBUS EDITION

Der Schubhebel-Quadrant der TCA Quadrant Airbus Edition verfügt über funktionale Schubumkehr-Vorrichtungen, die denen der Airbus-Verkehrsflugzeuge nachempfunden sind. Sie können den Schubumkehr-Mechanismus deaktivieren, um eine für die zivile Luftfahrt besser geeignete Bedienung zu ermöglichen.

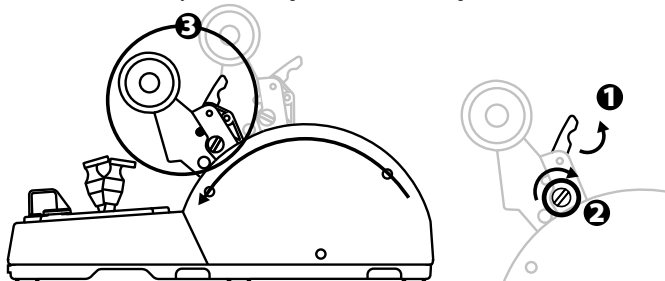
Modus für Verkehrsflugzeuge:

1. Bewegen Sie am Anschlag den Schubumkehr-Mechanismus nach oben.
2. Wenn Sie über den Anschlag hinausgehen, können Sie die Schubumkehr anwenden.

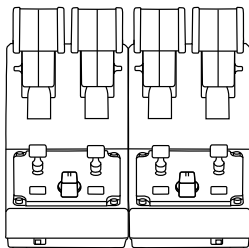


Modus für allgemeine und zivile Luftfahrt:

1. Bewegen Sie den Schubumkehr-Mechanismus nach oben.
2. Bringen Sie den Wählschalter auf die Position 0, um den Schubumkehr-Mechanismus zu deaktivieren.
3. Der Schubhebel kann jetzt über die gesamte Achse bewegt werden.

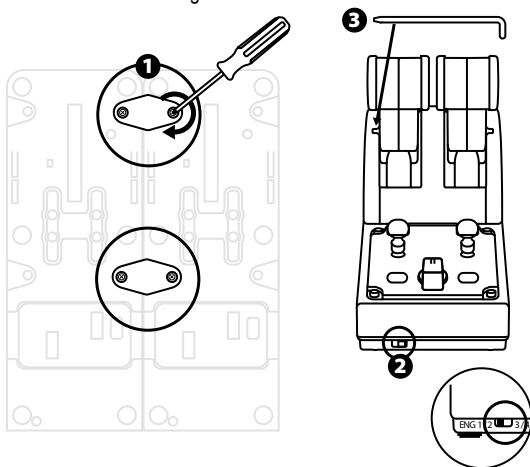


ZWEI TCA QUADRANT AIRBUS EDITION-SCHUBHEBEL-QUADRANTEN VERBINDEN

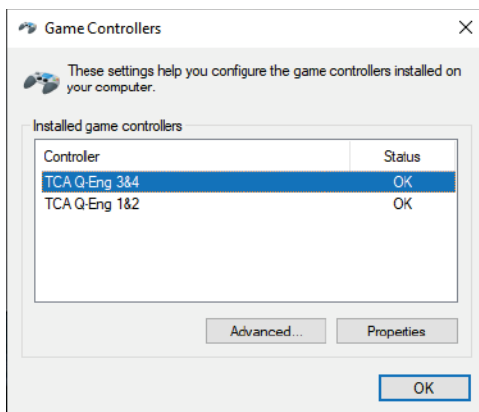


Sie können einen zweiten TCA Quadrant Airbus Edition-Schubhebel-Quadranten (separat erhältlich) anschließen, womit Sie insgesamt über 4 Achsen verfügen und beispielsweise ein vierstrahliges Verkehrsflugzeug simulieren können.

1. Drehen Sie beide Schubhebel-Quadranten der TCA Quadrant Airbus Edition auf den Kopf und schrauben Sie die beiden der TCA Quadrant Airbus Edition beiliegenden Befestigungselemente an, um die beiden Geräte miteinander zu verbinden.
2. Stellen Sie im zweiten Schubhebel-Quadranten den Wählschalter mechanisch auf 3/4, um die Triebwerke 3 und 4 mit dem zweiten Schubhebel-Quadranten zu verbinden (in der Systemsteuerung auf dem PC).
3. Verbinden Sie die Achsen paarweise (1/2 und 3/4) miteinander, um sie leichter im Gleichtakt bewegen zu können, indem Sie die Querstange verwenden, die jeder TCA Quadrant Airbus Edition beiliegt.

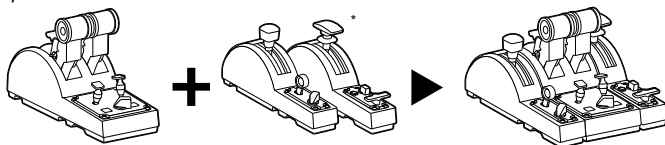


4. Wenn beide Geräte über USB an Ihren PC angeschlossen sind, erscheinen sie unabhängig voneinander im Dialogfeld **Gamecontroller**.



DEN SCHUBHEBEL-QUADRANTEN DER TCA QUADRANT AIRBUS EDITION MIT DER TCA QUADRANT ADD-ON AIRBUS EDITION* VERBINDEN

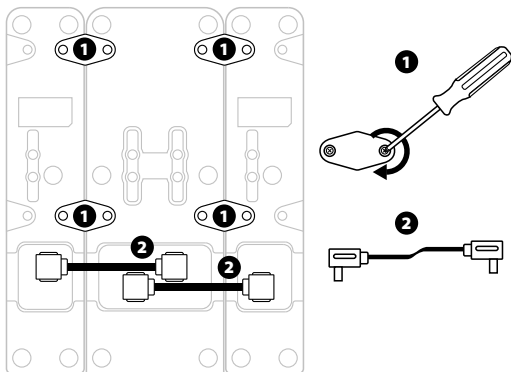
* Separat erhältlich



An den Schubhebel-Quadranten der TCA Quadrant Airbus Edition können Sie die Zusatzmodule der TCA Quadrant Add-On Airbus Edition (separat erhältlich) auf beiden Seiten der TCA Quadrant Airbus Edition anbringen.

Diese Modulareinheit fügt neue Achsen und Action-Buttons hinzu und ermöglicht es Ihnen, die Start-, Flug- und Landekinetik für den Schubhebel-Quadranten der TCA Quadrant Airbus Edition zu erweitern.

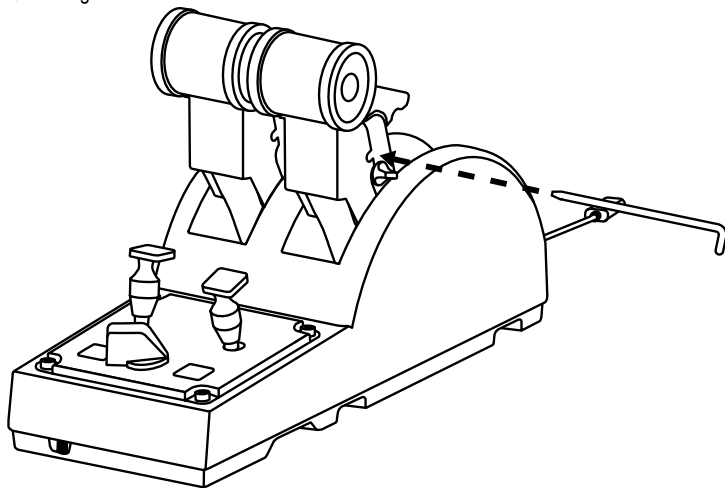
1. Drehen Sie den Schubhebel-Quadranten der TCA Quadrant Airbus Edition und die beiden zusätzlichen Module der TCA Quadrant Add-On Airbus Edition auf den Kopf und schrauben Sie (mit einem Schraubendreher mit der entsprechenden Kopfform) die vier Befestigungsteile an, die dem Schubhebel-Quadranten der TCA Quadrant Airbus Edition und der TCA Quadrant Add-On Airbus Edition beiliegen, wobei Sie alle drei Geräte miteinander verbinden: das Bremsklappen-Modul auf der linken Seite der TCA Quadrant Airbus Edition und das Landeklappen-Modul auf der rechten Seite.
2. Schließen Sie die SATA-Kabel, die der TCA Quadrant Add-On Airbus Edition beiliegen, an die SATA-Anschlüsse der TCA Quadrant Airbus Edition an.



- Um eine Beschädigung der Produkte zu vermeiden, verwenden Sie zum Festziehen/Lösen der Schrauben einen Schraubendreher mit der passenden Kopfform.
- Verwenden Sie nur die offiziell von Thrustmaster gelieferten Kabel.

VERBINDEN/TRENNEN DER BEIDEN SCHUBHEBEL

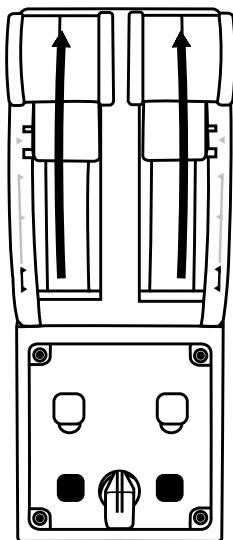
Mit Hilfe der dem Schubhebel-Quadranten der TCA Quadrant Airbus Edition mitgelieferten Querstange verbinden Sie die beiden Schubhebel miteinander.



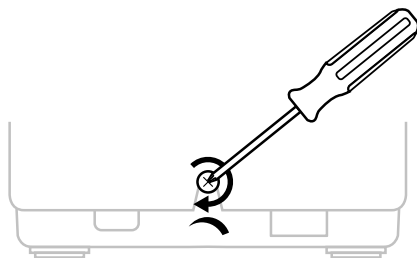
EINSTELLUNG DER FRIKTION

WICHTIGER HINWEIS:

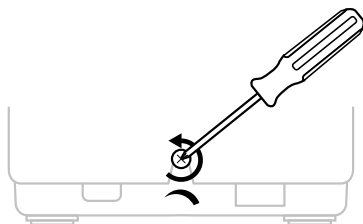
- Die Friktion beider Schubhebel ist standardmäßig auf 50 % eingestellt.
 - Um eine präzise Einstellung entsprechend Ihren Anforderungen zu ermöglichen, können Sie die Friktions-Einstellschraube mit einem Schraubendreher mit entsprechender Kopfform – oder der mitgelieferten Querstange – drehen.
1. Drücken Sie beide Schubhebel bis zu ihren Maximalwerten nach vorne und verschaffen Sie sich dann Zugang zu der Friktions-Einstellschraube an der Rückseite der TCA Quadrant Airbus Edition.



2. Um die Friktion zu erhöhen, drehen Sie die Friktions-Einstellschraube im Uhrzeigersinn.



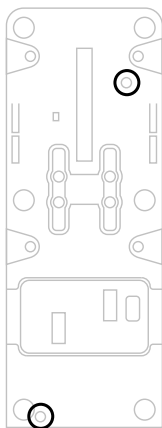
3. Um die Friktion zu verringern, drehen Sie die Friktions-Einstellschraube gegen den Uhrzeigersinn.



- Um eine Beschädigung des Friktionsmechanismus zu vermeiden, achten Sie darauf, die Einstellschraube nicht zu fest anzuziehen. Hören Sie auf, die Schraube zu drehen, wenn Sie einen Widerstand spüren.
- Drehen Sie die Einstellschraube niemals ganz heraus, um zu vermeiden, dass die Schraube in das Gehäuse der TCA Quadrant Airbus Edition fällt.

MONTAGE DES SCHUBHEBEL-QUADRANTEN DER TCA QUADRANT AIRBUS EDITION IN EIN COCKPIT ODER AUF EINE ANDERE FESTE OBERFLÄCHE

Sie können die beiden Bohrungen an der Unterseite der TCA Quadrant Airbus Edition verwenden, um sie mit M6-Schrauben (nicht im Lieferumfang enthalten) in einem Cockpit oder auf einer anderen festen Oberfläche zu montieren.



VERBINDUNG DES TFRP*-STEUERRUDER-SYSTEMS MIT DEM SCHUBHEBEL-QUADRANTEN DER TCA QUADRANT AIRBUS EDITION

* *Separat erhältlich*

Der Schubhebel-Quadrant der TCA Quadrant Airbus Edition hat 7 Achsen, von denen 3 für das TFRP-Steuerruder-System vorbehalten sind. Das TFRP-Steuerruder-System wird direkt mit dem Schubhebel-Quadranten der TCA Quadrant Airbus Edition verbunden.

1. Schließen Sie den RJ12-Stecker für das TFRP-Steuerruder-System an die RJ12-Buchse an, die sich an der Rückseite des Schubhebel-Quadranten der TCA Quadrant Airbus Edition befindet.
2. Verbinden Sie den USB-Anschluss für den Schubhebel-Quadranten der TCA Quadrant Airbus Edition mit einem der USB-Anschlüsse an Ihrem PC.

Wichtige Hinweise zur automatischen Kalibrierung von Achsen:

- Lassen Sie beim Anschluss des TFRP-Steuerruder-Systems an den Schubhebel-Quadranten der TCA Quadrant Airbus Edition die Steuerruder-Achse immer in der Mitte. Stellen Sie dabei niemals Ihre Füße auf die Pedale des TFRP-Steuerruder-Systems.
- Die 3 Achsen der Pedale kalibrieren sich automatisch nach einigen Bewegungen und nach Erreichen der physikalischen Anschläge für die Steuerruder-Achse und die 2 Differenzialbrems-Achsen.

ERWEITERTE PROGRAMMIERUNGS-SOFTWARE T.A.R.G.E.T (Thrustmaster Advanced pRogramming Graphical EdiTor)

Bitte besuchen Sie <https://support.thrustmaster.com>, klicken dort auf **Joysticks / TCA Quadrant Airbus Edition** und wählen **Software** aus. Laden Sie die erweiterte Programmierungs-Software T.A.R.G.E.T herunter und installieren Sie sie.

Die wichtigsten Funktionen von T.A.R.G.E.T:

- Unterschiedliche Konfigurationsmöglichkeiten der Achsen.
- Unterschiedliche Möglichkeiten der Programmierung: Basic, Advanced und Script.
- Nutzung des Drag-and-Drop-Prinzips.
- Kombinationsmöglichkeit des Schubhebel-Quadranten der TCA Quadrant Airbus Edition mit unterschiedlichen Thrustmaster-Joysticks (HOTAS Cougar, HOTAS Warthog, T.16000M, MFD Cougar Pack, die allesamt mit T.A.R.G.E.T kompatibel sind), wodurch sie als ein einzelnes USB-Gerät erkannt werden können.
- Zugang zu weiterführenden Profildaten, die von der Thrustmaster-Community erstellt wurden.



FEHLERBEHEBUNG UND WARNUNG

- **Mein Schubhebel-Quadrant der TCA Quadrant Airbus Edition funktioniert nicht richtig oder scheint nicht richtig kalibriert zu sein.**
 - Schalten Sie Ihren PC aus und trennen Sie den USB-Anschluss für den Schubhebel-Quadranten der TCA Quadrant Airbus Edition. Schließen Sie dann den USB-Stecker wieder an, schalten Sie Ihren PC wieder ein und starten Sie Ihr Spiel neu.
 - Wenn Sie den USB-Stecker für den Schubhebel-Quadranten der TCA Quadrant Airbus Edition anschließen, lassen Sie die Steuerruder-Achse immer in der Mitte, wenn Sie das TFRP-Steuerruder-System (separat erhältlich) verwenden. Stellen Sie dabei niemals Ihre Füße auf die Pedale des TFRP-Steuerruder-Systems.

- **Ich kann meinen Schubhebel-Quadranten der TCA Quadrant Airbus Edition nicht konfigurieren.**
 - Wählen Sie im Menü Ihres Spiels unter Einstellungen / Controller / Gamepad oder Joystick die entsprechende Konfiguration oder konfigurieren Sie die Einstellungen Ihres Controllers komplett neu.
 - Weitere Informationen finden Sie im Benutzerhandbuch oder in der Online-Hilfe Ihres Spiels.
 - Verwenden Sie die erweiterte Programmierungs-Software T.A.R.G.E.T (Thrustmaster Advanced pRogramming Graphical EdiTοr).

- **Mein Schubhebel-Quadrant der TCA Quadrant Airbus Edition reagiert zu empfindlich oder nicht empfindlich genug.**
 - Die Achsen des Schubhebel-Quadranten der TCA Quadrant Airbus Edition kalibrieren sich automatisch nach einigen Bewegungen und nach Erreichen der physikalischen Anschläge.
 - Passen Sie im Menü Ihres Spiels unter Einstellungen / Controller / Gamepad oder Joystick die Empfindlichkeit und die Deadzones Ihres Controllers an (falls diese Optionen angeboten werden).
 - Verwenden Sie die erweiterte Programmierungs-Software T.A.R.G.E.T (Thrustmaster Advanced pRogramming Graphical EdiTοr).



Dieses Gerät ist nur für die Verwendung im Rahmen der Unterhaltung beim Gaming vorgesehen. Es ist strengstens verboten, dieses Gerät für professionelle Trainingsaktivitäten zu verwenden.

Kunden-Garantie-Information

Guillemot Corporation S.A. mit Hauptsitz in Place du Granier, B.P. 97143, 35571 Chantepie, France (fortfolgend "Guillemot") garantiert Kunden weltweit, daß dieses Thrustmaster Produkt frei von Mängeln in Material und Verarbeitung für eine Gewährleistungsfrist ist, die mit der Frist für eine Mängelrüge bezüglich des Produktes übereinstimmt. In den Ländern der Europäischen Union entspricht diese einem Zeitraum von zwei (2) Jahren ab Kaufdatum des Thrustmaster Produktes. In anderen Ländern entspricht die Gewährleistungsfrist der zeitlichen Begrenzung für eine Mängelrüge bezüglich des Thrustmaster Produktes in Übereinstimmung mit anwendbarem Recht des Landes, in dem der Kunde zum Zeitpunkt des Erwerbs eines Thrustmaster Produktes wohnhaft ist. Sollte eine entsprechende Regelung in dem entsprechenden Land nicht existieren, umfasst die Gewährleistungspflicht einen Zeitraum von einem (1) Jahr ab dem originären Kaufdatum des Thrustmaster Produktes.

Sollten bei dem Produkt innerhalb der Gewährleistungsfrist Defekte auftreten, kontaktieren Sie unverzüglich den technischen Kundendienst, der die weitere Vorgehensweise anzeigt. Wurde der Defekt bestätigt, muß das Produkt an die Verkaufsstelle (oder an eine andere Stelle, je nach Maßgabe des technischen Kundendienstes) retourniert werden.

Im Rahmen dieser Garantie sollte das defekte Produkt des Kunden, je nach Entscheidung des technischen Kundendienstes, entweder ausgetauscht oder repariert werden. Sollte während der Garantiezeit das Thrustmaster Produkt einer derartigen Instandsetzung unterliegen und das Produkt während eines Zeitraums von mindestens sieben (7) Tagen nicht benutzbar sein, wird diese Zeit der restlichen Garantiezeit hinzugefügt. Diese Frist läuft ab dem Zeitpunkt, an dem der Wunsch des Verbrauchers bezüglich einer Intervention vorliegt oder ab dem Tag, an dem das fragliche Produkt zur Instandsetzung zur Verfügung steht, falls das Datum, an dem das Produkt zur Instandsetzung zur Verfügung steht, dem Datum des Antrags auf Intervention nachfolgt. Wenn nach geltendem Recht zulässig, beschränkt sich die volle Haftung von Guillemot und ihrer Tochtergesellschaften auf die Reparatur oder den Austausch des Thrustmaster Produktes (inklusive Folgeschäden). Wenn nach geltendem Recht zulässig, lehnt Guillemot alle Gewährleistungen der Marktgängigkeit oder Eignung für einen bestimmten Zweck ab. Der Gewährleistungsanspruch verfällt: (1) Falls das Produkt modifiziert, geöffnet, verändert oder ein Schaden durch unsachgemäßen oder missbräuchlichen Gebrauch hervorgerufen wurde, sowie durch Fahrlässigkeit, einen Unfall, Verschleiß oder irgendeinem anderen Grund – aber nicht durch Material- oder Herstellungsfehler (einschließlich, aber nicht beschränkt auf, die Kombination der Thrustmaster Produkte mit ungeeigneten Elementen, insbesondere Netzteile, Akkus, Ladegeräte, oder andere Elemente, die von Guillemot für dieses Produkt nicht mitgeliefert wurden); (2) Falls das Produkt für eine andere Nutzung als zum privaten Hausgebrauch, einschließlich für professionelle oder kommerzielle Zwecke (z. B. Spielhallen, Training, Wettkämpfe) verwendet wird; (3) Im Falle der Nichteinhaltung der durch den technischen Support erteilten Anweisungen; (4) Durch Software. Die besagte Software ist Gegenstand einer speziellen Garantie; (5) Bei Verbrauchsmaterialien (Elemente, die während der Produktlebensdauer ausgetauscht werden, wie z. B. Einwegbatterien, Ohrpolster für ein Audioheadset oder für Kopfhörer); (6) Bei Accessoires (z. B. Kabel, Etuis, Taschen, Beutel, Handgelenk-Riemen); (7) Falls das Produkt in einer öffentlichen Versteigerung verkauft wurde. Diese Garantie ist nicht übertragbar.

Die Rechte des Kunden in Übereinstimmung mit anwendbarem Recht bezüglich des Verkaufs auf Konsumgüter im Land der/der Kunden/Kundin wird durch diese Garantie nicht beeinträchtigt.

Zusätzliche Gewährleistungsbestimmungen

Während der Garantiezeit bietet Guillemot grundsätzlich keine Ersatzteile an, da der technische Kundendienst der einzige autorisierte Partner zum Öffnen und/oder Instandsetzen jedweden Thrustmaster-Produkts ist (mit Ausnahme von irgendwelchen Instandsetzungsprozeduren, die der Kunde nach Maßgabe des technischen Kundendienstes und durch schriftliche Instruktionen sowie der Zurverfügungstellung des/der eventuell erforderlichen Ersatzteil(e)s selbst in der Lage ist durchzuführen – zum Beispiel aufgrund der Einfachheit und einer nicht erforderlichen Geheimhaltung des Instandsetzungsverfahrens).

Aufgrund seiner Innovationszyklen und um sein Know-how und seine Geschäftsgeheimnisse zu schützen, bietet Guillemot grundsätzlich keine Instandsetzungs-Benachrichtigung oder Ersatzteile für alle Thrustmaster Produkte an, deren Garantiezeit abgelaufen ist.

Haftung

Wenn nach dem anwendbaren Recht zulässig, lehnen Guillemot Corporation S.A. (fortfolgend "Guillemot") und ihre Tochtergesellschaften jegliche Haftung für Schäden, die auf eine oder mehrere der folgenden Ursachen zurückzuführen sind, ab: (1) das Produkt wurde modifiziert, geöffnet oder geändert; (2) Nichtbefolgung der Montageanleitung; (3) unangebrachte Nutzung, Fahrlässigkeit, Unfall (z. B. ein Aufprall); (4) normalem Verschleiß; (5) Die Verwendung des Produkts für jedwede andere Nutzung als zum privaten Hausgebrauch, einschließlich professioneller oder kommerzieller Zwecke (z. B. Spielhallen, Training, Wettkämpfe). Wenn nach anwendbarem Recht zulässig, lehnen Guillemot und seine Niederlassungen jegliche Haftung für Schäden, die nicht auf einen Material- oder Herstellungsfehler in Bezug auf das Produkt beruhen (einschließlich, aber nicht beschränkt auf, etwaige Schäden, die direkt oder indirekt durch Software oder durch die Kombination der Thrustmaster Produkte mit ungeeigneten Elementen, insbesondere Netzteile, Akkus, Ladegeräte, oder andere Elemente, die von Guillemot für dieses Produkt nicht geliefert wurden), ab.

THRUSTMASTER®

TECHNISCHER SUPPORT

<https://support.thrustmaster.com>



COPYRIGHT

© Guillemot Corporation S.A. 2020. Alle Rechte vorbehalten. Thrustmaster® ist ein eingetragenes Warenzeichen der Guillemot Corporation S.A.

AIRBUS, das Logo sowie die Markenzeichen für Produkte und Dienstleistungen sind eingetragene Marken von Airbus. Alle Rechte vorbehalten.

© Airbus 2020. Alle Rechte vorbehalten. Offiziell lizenziert von Airbus.

Alle anderen Handelsmarken sind im Besitz Ihrer jeweiligen Eigentümer. Illustrationen nicht verbindlich.

Inhalte, Design und Spezifikationen können ohne vorherige Ankündigung geändert werden und können von Land zu Land unterschiedlich sein. Hergestellt in China.

Hinweise zum Umweltschutz



* In der Europäischen Union: Dieses Produkt darf nach Ende seiner Lebensdauer nicht über den Hausmüll entsorgt werden, sondern muss an einem Sammelpunkt für das Recycling von elektrischen und elektronischen Geräten abgegeben werden.

Das Symbol auf dem Produkt, der Gebrauchsanleitung oder der Verpackung weist darauf hin.

Die Werkstoffe sind gemäß ihrer Kennzeichnung wiederverwertbar. Mit der Wiederverwertung, der stofflichen Verwertung oder anderen Formen von Altgeräten leisten

Sie einen wichtigen Beitrag zum Schutz unserer Umwelt. Bitte erfragen Sie bei der Gemeindeverwaltung die zuständige Entsorgungsstelle.

Für alle anderen Länder: Bitte beachten Sie die lokalen Entsorgungsrichtlinien/-Gesetze bezüglich elektrischen und elektronischen Equipments.

Wichtige Informationen. Die Farben und Verzierungen können abweichen.

Plastikhalterungen und Aufkleber bitte vor der Nutzung des Produktes entfernen.

Dieses Produkt stimmt mit allen Standards, die Kinder ab 14 und älter betreffen, überein. Dieses Produkt ist nicht geeignet für den Gebrauch von Kindern, die jünger als 14 Jahre sind.

www.thrustmaster.com

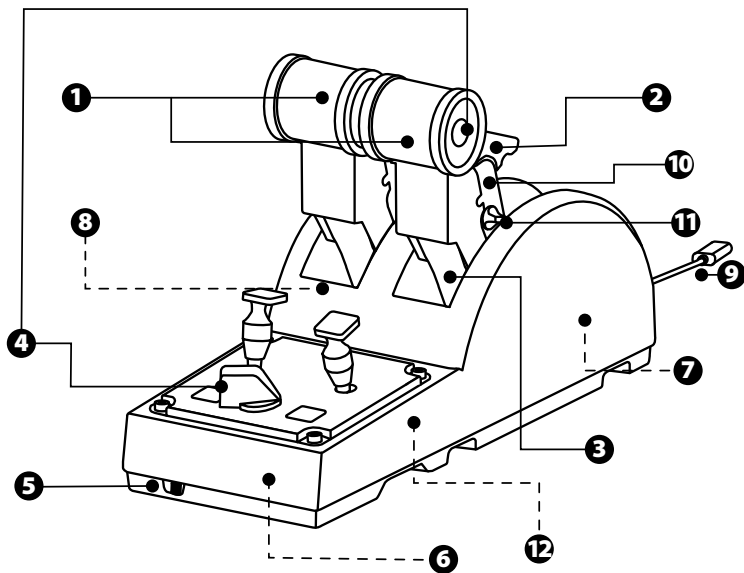
Nur in der EU und der Türkei anwendbar

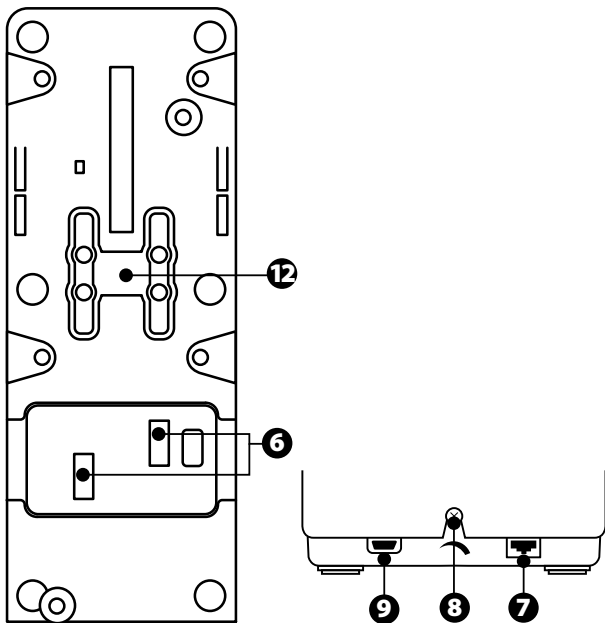


TCA QUADRANT AIRBUS EDITION

Handleiding

TECHNISCHE KENMERKEN





- | | |
|---|---|
| <ol style="list-style-type: none"> 1. X- en Y-assen voor throttle 2. Straalomkeermechanisme op elke as 3. 4 standen per as en 4 virtuele drukknoppen per as 4. 8 actiedrukknoppen 5. Selectieschakelaar voor motoren: 1/2 of 3/4 6. SATA-connectors voor externe TCA Quadrant Add-On Airbus Edition-modules (add-on wordt apart verkocht) | <ol style="list-style-type: none"> 7. Connector voor TFRP-roersysteem (wordt apart verkocht) 8. Schroef voor afstellen van frictie 9. USB-connector (type B) 10. Dwarsstang-locatie 11. Mechanisme voor in- en uitschakelen van straalomkeerder op elke as 12. Mechanisme voor in- en uitschakelen van standen op elke as |
|---|---|

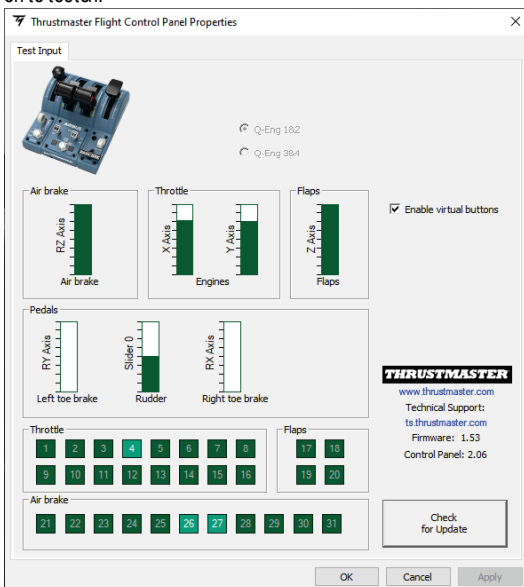
INSTALLATIE OP DE PC

1. Ga naar <https://support.thrustmaster.com/>. Klik op **Joysticks / TCA Quadrant Airbus Edition** en selecteer **Drivers**. Download en installeer de PC-driver en de speciaal aangepaste interface voor het Windows-configuratiescherm.
2. Nadat de PC-driver is geïnstalleerd, sluit u de USB-connector van het apparaat aan op een van de USB-poorten van uw PC.
3. Klik in het Start-menu op **Thrustmaster / Configuratiescherm** (in Windows® 10 / 8.1 / 8).

Het dialoogvenster **Spelbesturingen** verschijnt.

Dit apparaat vindt u op het scherm onder de naam **TCA Q-Eng 1&2** (of **TCA Q-Eng 3&4**, afhankelijk van de stand van de selectieschakelaar voor de motoren [5]) samen met de **OK**-status.

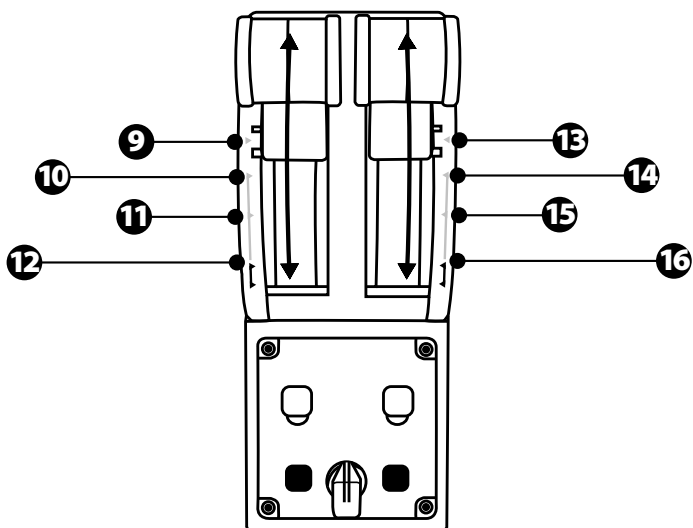
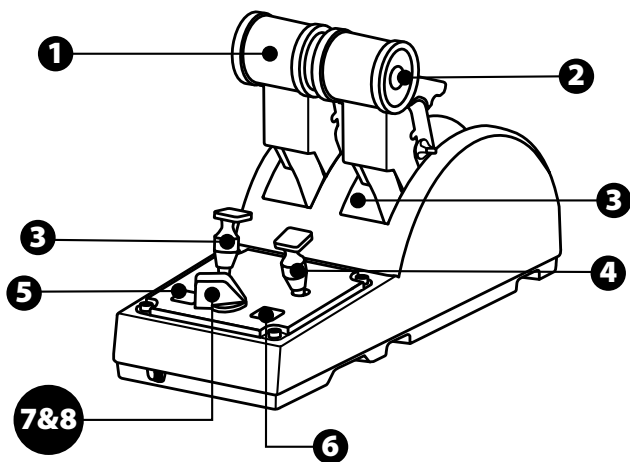
4. Klik op **Eigenschappen** in het dialoogvenster **Spelbesturingen** om alle functies te bekijken en te testen.

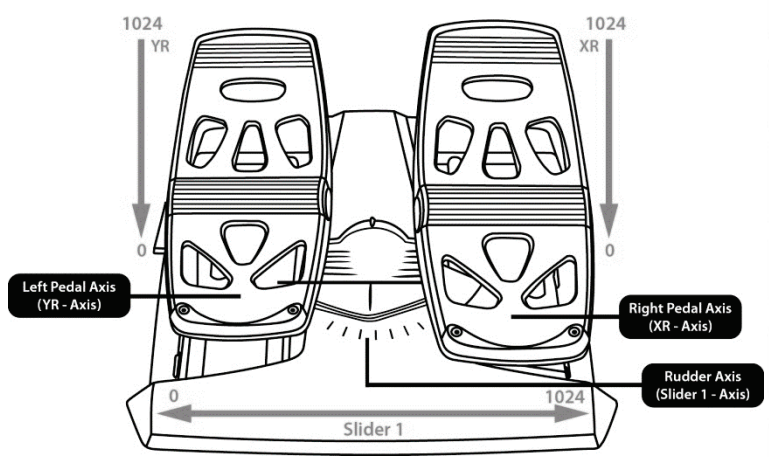
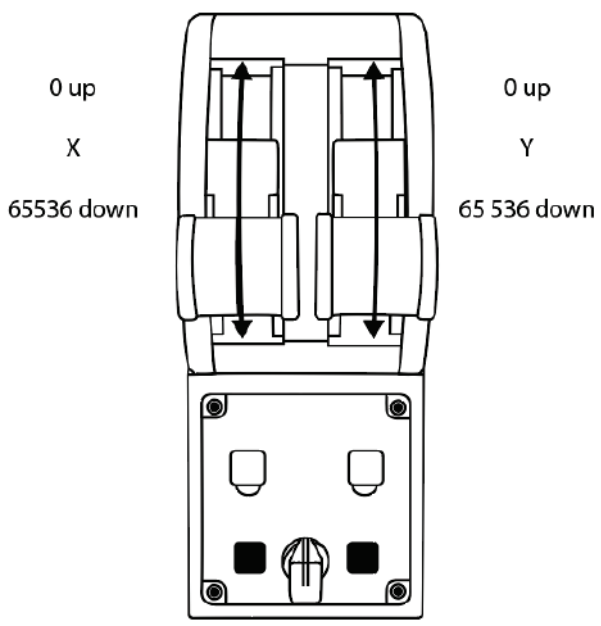


Enable virtual buttons (Virtuele knoppen inschakelen): met deze functie schakelt u de virtuele knoppen op de throttle-assen in of uit. Klik op **Apply** (Toepassen) nadat u de gewenste modus hebt gekozen.

Nu kan er gespeeld worden!

MAPPING VAN DE 16 DRUKKNOPPEN EN 2 ASSEN



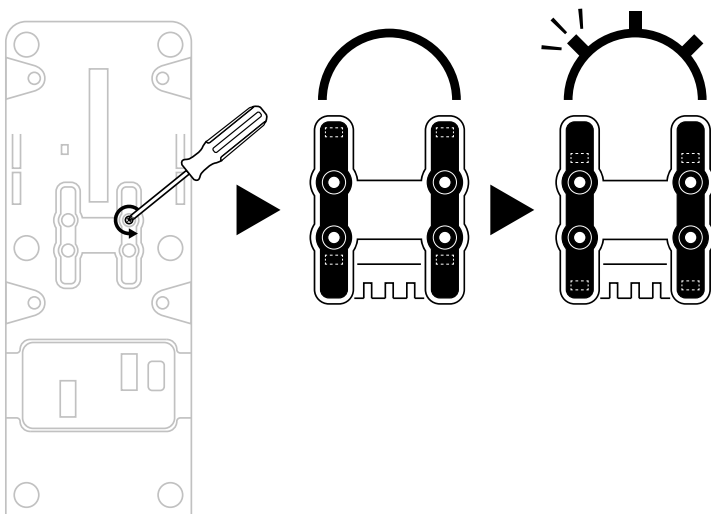


DE ASSEN AANPASSEN OP DE TCA QUADRANT AIRBUS EDITION-THROTTLE-QUADRANT

De TCA Quadrant Airbus Edition-throttle-quadrant heeft mechanische selectieschakelaars voor het uitschakelen van de standen/inkepingen op elke as. Als u deze uitschakelt, hebt u gladde assen maar behoudt u de virtuele drukknoppen 9 t/m 16.

Met deze optie past u hoe de besturing van het toestel aanvoelt aan aan het type vliegtuig dat u gebruikt in uw simulatie (lijntoestel of burgerluchtvaart).

1. Zet de TCA Quadrant Airbus Edition op zijn kop en draai met de bijpassende schroevendraaier de twee boutjes los van elke selectieschakelaar.
2. Verwissel de stand van de selectieschakelaars met behulp van de indicaties. U kiest hiermee tussen een gladde as of een as met standen/uitkepingen, voor elke as op de TCA Quadrant Airbus Edition-throttle-quadrant.

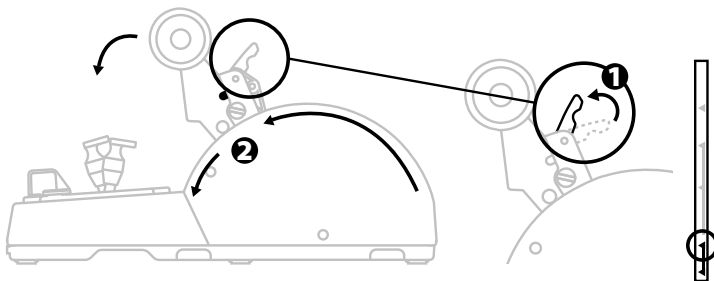


DE STRAALOMKEEDERS UITSCHAKELEN OP DE TCA QUADRANT AIRBUS EDITION-THROTTLE-QUADRANT

De TCA Quadrant Airbus Edition-throttle-quadrant heeft functionele straalomkeeders net als de omkeeders op de throttles van de Airbus-lijntoestellen. U kunt het straalomkeermechanisme uitschakelen om burgerluchtvaarttoestellen beter te kunnen besturen.

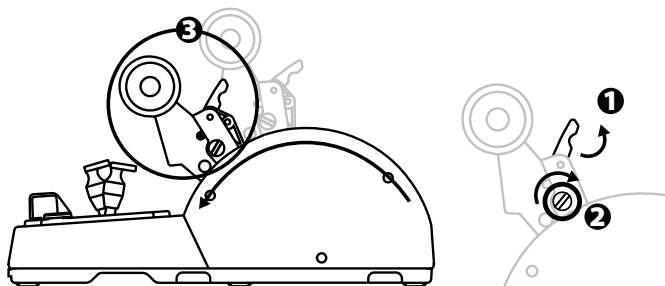
Modus lijntoestel:

1. Trek het straalomkeermechanisme omhoog bij de stop.
2. Trekt u het voorbij de stop, dan kunt u de straalomkeerder gebruiken.

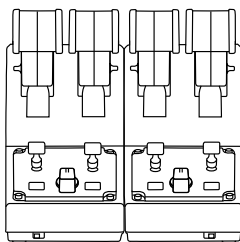


Modus algemene luchtvaart en burgerluchtvaart:

1. Trek het straalomkeermechanisme omhoog.
2. Zet de selectieschakelaar in de stand 0 om het straalomkeermechanisme uit te schakelen.
3. De thrusthendel kan nu langs de hele as bewegen.

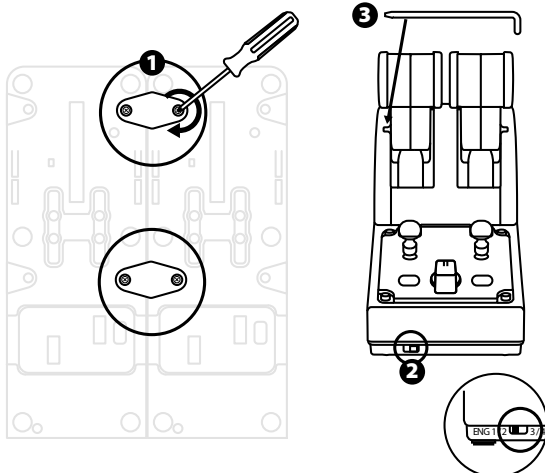


DE TWEE TCA QUADRANT AIRBUS EDITION-THROTTLE- QUADRANTS AAN ELKAAR KOPPELEN

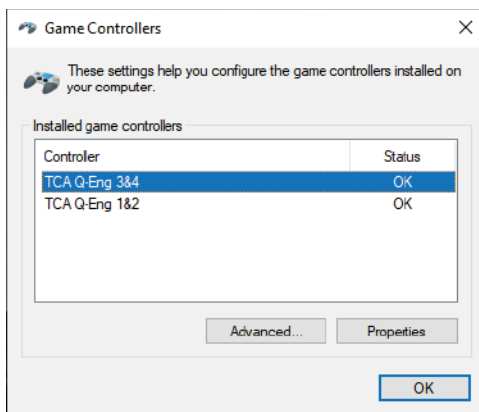


U kunt een tweede TCA Quadrant Airbus Edition-throttle-quadrant (wordt apart verkocht) aansluiten. Hierdoor kunt u in totaal 4 assen gebruiken waardoor u kunt vliegen in bijvoorbeeld een viermotorig verkeersvliegtuig.

1. Zet beide TCA Quadrant Airbus Edition-throttle-quadrants op hun kop. Monteer de twee koppelstukken die bij de TCA Quadrant Airbus Edition zijn geleverd om zo de twee apparaten aan elkaar te koppelen.
2. Op de tweede throttle-quadrant zet u de selectieschakelaar in de stand **3/4** zodat de motoren 3 en 4 bediend gaan worden door de tweede throttle-quadrant (dit ziet u in het Configuratiescherm op de PC).
3. Verbind met behulp van de bij elke TCA Quadrant Airbus Edition meegeleverde dwarsstang de assen per paar met elkaar (1/2 en 3/4) zodat ze gemakkelijk samen bewegen.

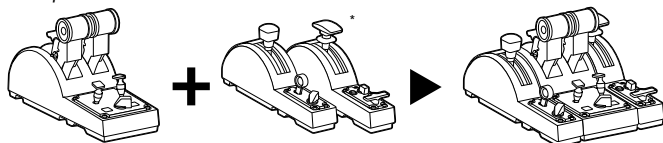


4. Wanneer beide apparaten via USB met uw PC zijn verbonden, verschijnen ze elk apart in het dialoogvenster **Spelbesturingen**:



DE TCA QUADRANT AIRBUS EDITION-THROTTLE-QUADRANT VERBINDEN MET DE TCA QUADRANT ADD-ON AIRBUS EDITION*

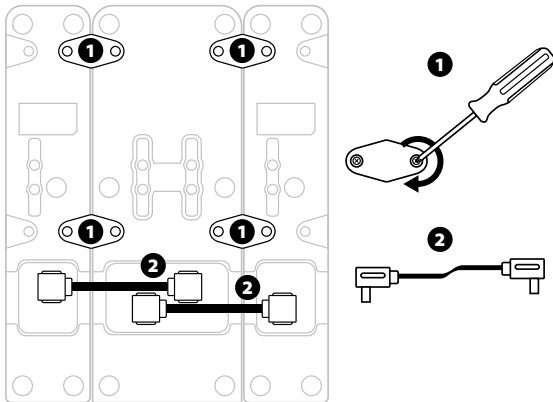
* Wordt apart verkocht



Met de TCA Quadrant Airbus Edition-throttle-quadrant kunt u de extra TCA Quadrant Add-On Airbus Edition-modules (worden apart verkocht) aansluiten op beide zijden van de TCA Quadrant Airbus Edition.

Dankzij deze modulariteit kunt u nieuwe assen en actiedrukknoppen toevoegen, en verbetert de kinematica voor de TCA Quadrant Airbus Edition-throttle-quadrant bij het opstijgen, tijdens de vlucht en bij de landing.

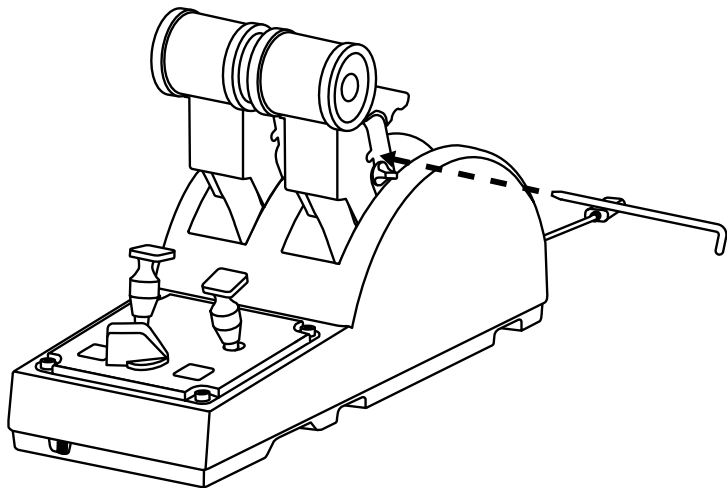
1. Zet de TCA Quadrant Airbus Edition-throttle-quadrant en de twee extra TCA Quadrant Add-On Airbus Edition-modules op hun kop, en gebruik een passende schroevendraaier om de vier koppelstukken vast te schroeven die bij de TCA Quadrant Airbus Edition-throttle-quadrant en de TCA Quadrant Add-On Airbus Edition zijn meegeleverd. U koppelt de drie apparaten aan elkaar waarbij u de luchtremmodule links van de TCA Quadrant Airbus Edition monteert en de kleppenmodule rechts.
2. Sluit de SATA-kabels die bij de TCA Quadrant Add-On Airbus Edition zijn meegeleverd aan op de SATA-connectors van de TCA Quadrant Airbus Edition.



- Gebruik om schade te voorkomen altijd een schroevendraaier met de correcte kop voor het los/vastdraaien van de schroeven.
- Gebruik alleen de officiële kabels meegeleverd door Thrustmaster.

DE TWEE THRUST-HENDELS SAMENVOEGEN/SCHIEDEN

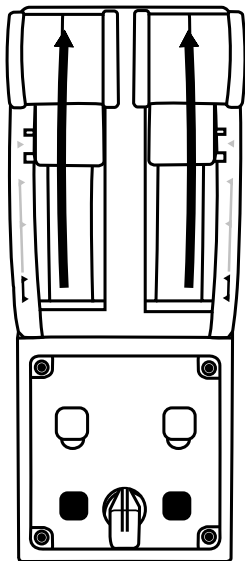
Gebruik de bij de TCA Quadrant Airbus Edition-throttle-quadrant geleverde dwarsstang om de twee thrust-hendels aan elkaar vast te maken.



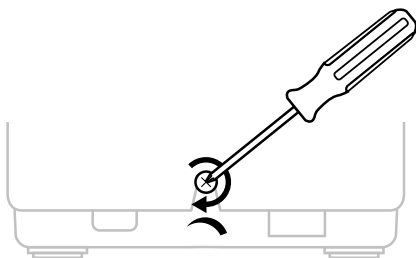
DE FRICTIE AANPASSEN

BELANGRIJKE OPMERKINGEN:

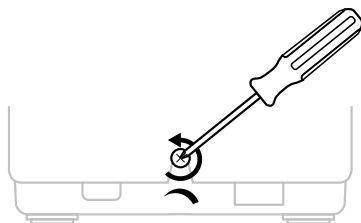
- De frictie voor de twee thrust-hendels is standaard ingesteld op 50%.
 - U kunt een schroevendraaier met de correcte kop of de meegeleverde dwarsstang gebruiken om de frictiestelschroef exact zo af te stellen dat hij de gewenste frictie geeft.
1. Als u beide thrust-hendels helemaal naar hun maximumwaarden duwt, krijgt u toegang tot de stelschroef achter de TCA Quadrant Airbus Edition.



2. Draai de frictiestelschroef rechtsom (met de wijzers van de klok mee) om de frictie te verhogen.



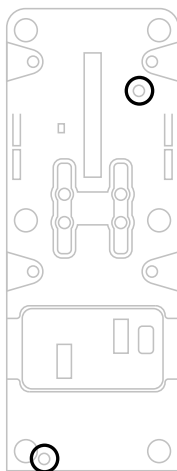
3. Draai de frictiestelschroef linksom (tegen de wijzers van de klok in) om de frictie te verlagen.



- Om beschadiging van het frictiesysteem te voorkomen, mag u de stelschroef niet te strak aandraaien. Stop het aandraaien als u weerstand voelt.
- Draai de stelschroef nooit helemaal los om te voorkomen dat de schroef in de behuizing van de TCA Quadrant Airbus Edition valt.

DE TCA QUADRANT AIRBUS EDITION-THROTTLE-QUADRANT AAN EEN COCKPIT OF ANDER VAST OPPERVLAK BEVESTIGEN

U kunt de twee openingen onderop de TCA Quadrant Airbus Edition gebruiken om de quadrant vast te maken aan een cockpit of ander vast oppervlak met behulp van M6-boutjes (niet meegeleverd).



HET TFRP*-ROERSYSTEEM AAN DE TCA QUADRANT AIRBUS EDITION-THROTTLE-QUADRANT BEVESTIGEN

* Wordt apart verkocht

De TCA Quadrant Airbus Edition-throttle-quadrant heeft 7 assen waarvan er 3 zijn gereserveerd voor het TFRP-roersysteem.

Het TFRP-roersysteem kan direct worden bevestigd aan de TCA Quadrant Airbus Edition-throttle-quadrant.

1. Sluit de mannetje RJ12-connector voor het TFRP-roersysteem aan op de vrouwtje RJ12-connector achterop de TCA Quadrant Airbus Edition-throttle-quadrant.
2. Sluit de USB-connector voor de TCA Quadrant Airbus Edition-throttle-quadrant aan op een van de USB-poorten op uw PC.

Belangrijke opmerkingen met betrekking tot het automatisch kalibreren van assen:

- Zorg ervoor dat de roeras altijd in het midden staat en dat u geen voet op de pedalen heeft als u het TFRP-roersysteem bevestigd aan de TCA Quadrant Airbus Edition-throttle-quadrant.
- De 3 assen van de pedalen kalibreren zich automatisch na een paar bewegingen en na het bereiken van de fysieke eindstops voor de roeras en de 2 assen van het differentieelremmen.

T.A.R.G.E.T GEAVANCEERDE PROGRAMMEERSOFTWARE (Thrustmaster Advanced pROgramming Graphical EdiTOr)

Ga naar <https://support.thrustmaster.com>. Klik op **Joysticks / TCA Quadrant Airbus Edition** en selecteer **Software**. Download en installeer de T.A.R.G.E.T geavanceerde programmeersoftware.

Belangrijkste kenmerken van T.A.R.G.E.T:

- Verschillende mogelijke configuraties voor de assen.
- Verschillende mogelijke programmeerniveaus: Basic, Advanced en Script.
- Gebruik van Drag & Drop.
- De mogelijkheid om de TCA Quadrant Airbus Edition-throttle-quadrant te combineren met andere Thrustmaster-joysticks (HOTAS Cougar, HOTAS Warthog, T.16000M en MFD Cougar Pack die allemaal compatibel zijn met T.A.R.G.E.T) waardoor ze herkend worden als een enkel USB-apparaat.
- Toegang tot geavanceerde profielen gemaakt door de Thrustmaster-community.



PROBLEMEN OPLOSSEN EN WAARSCHUWINGEN

- **Mijn TCA Quadrant Airbus Edition-throttle-quadrant werkt niet goed of lijkt verkeerd gekalibreerd.**
 - Zet uw PC uit en maak de USB-connector voor de TCA Quadrant Airbus Edition-throttle-quadrant los. Sluit vervolgens de USB-connector weer aan, zet de PC weer aan en herstart de game.
 - Wanneer u de USB-connector aansluit op de TCA Quadrant Airbus Edition-throttle-quadrant, moet de roeras altijd in het midden staan en mag u geen voet op de pedalen hebben als u het TFRP-roersysteem (wordt apart verkocht) gebruikt.
- **Ik krijg mijn TCA Quadrant Airbus Edition-throttle-quadrant niet geconfigureerd.**
 - Selecteer de meest geschikte configuratie in het menu Options / Controller / Gamepad of Joystick van de game, of configureer de opties van de controller helemaal opnieuw.
 - Raadpleeg de handleiding of de online help van de game voor meer informatie.
 - Gebruik de T.A.R.G.E.T (Thrustmaster Advanced pRogramming Graphic al EdiT or) geavanceerde programmeersoftware.
- **Mijn TCA Quadrant Airbus Edition-throttle-quadrant reageert te gevoelig of niet gevoelig genoeg.**
 - De assen van de TCA Quadrant Airbus Edition-throttle-quadrant kalibreren zichzelf automatisch na enkele bewegingen en nadat ze de fysieke stops voor de assen hebben bereikt.
 - Pas in het menu Options / Controller / Gamepad of Joystick van de game de gevoeligheid en dode zones aan voor de controller (als deze opties beschikbaar zijn).
 - Gebruik de T.A.R.G.E.T (Thrustmaster Advanced pRogramming Graphic al EdiT or) geavanceerde programmeersoftware.



Dit apparaat is louter bestemd voor recreatief gamen. Het is ten zeerste verboden dit apparaat te gebruiken voor professionele trainingsactiviteiten.

Informatie met betrekking tot kopersgarantie

Wereldwijd garandeert Guillemot Corporation S.A., het statutair adres gevestigd aan de Place du Granier, B.P. 97143, 35571 Chantepie, Frankrijk, (hierna te noemen "Guillemot") aan de koper dat dit Thrustmaster-product vrij zal zijn van materiaal- en fabricagefouten gedurende een garantieperiode gelijk aan de tijd maximaal vereist om een restitutie/vervanging voor dit product te claimen. In landen van de Europese Unie komt dit overeen met een periode van twee (2) jaar vanaf het moment van levering van het Thrustmaster-product. In andere landen komt de garantieperiode overeen met de tijd maximaal vereist om een restitutie/vervanging voor dit Thrustmaster-product te claimen zoals wettelijk is vastgelegd in het land waarin de koper woonachtig was op de datum van aankoop van het Thrustmaster-product. Indien een dergelijk claimrecht niet wettelijk is vastgelegd in het betreffende land, geldt een garantieperiode van één (1) jaar vanaf datum aankoop van het Thrustmaster-product.

Indien u in de garantieperiode een defect meent te constateren aan dit product, neem dan onmiddellijk contact op met Technical Support die u zal informeren over de te volgen procedure. Als het defect wordt bevestigd, dient het product te worden geretourneerd naar de plaats van aankoop (of een andere locatie die wordt opgegeven door Technical Support). Binnen het gestelde van deze garantie wordt het defecte product van de koper gerepareerd of vervangen, zulks ter beoordeling van Technical Support. Indien het Thrustmaster-product tijdens de garantieperiode is onderworpen aan een dergelijk herstel, wordt elke periode van ten minste zeven (7) dagen waarin het product niet in gebruik is, opgeteld bij de resten de garantieperiode (deze periode loopt vanaf de datum van verzoek van de consument voor interventie of vanaf de datum waarop het product in kwestie beschikbaar is gesteld voor herstel als de datum waarop het product ter beschikking wordt gesteld voor herstel later is dan de datum van het verzoek om interventie). Indien toegestaan door van toepassing zijnde wetgeving, beperkt de volledige aansprakelijkheid van Guillemot en haar dochterondernemingen (inclusief de aansprakelijkheid voor vervolgschade) zich tot het repareren of vervangen van het Thrustmaster-product. Indien toegestaan door van toepassing zijnde wetgeving, wijst Guillemot elke garantie af met betrekking tot verhandelbaarheid of geschiktheid voor enig doel.

Deze garantie is niet van kracht: (1) indien het product aangepast, geopend of gewijzigd is, of beschadigd is ten gevolge van oneigenlijk of onvoorzichtig gebruik, verwaarlozing, een ongeluk, normale slijtage, of enige andere oorzaak die niet gerelateerd is aan een materiaal- of fabricagefout (inclusief maar niet beperkt tot het combineren van het Thrustmaster-product met enig ongeschikt element waaronder in het bijzonder voedingsadapters, oplaadbare batterijen, opladers of enig ander element niet geleverd door Guillemot voor dit product); (2) als het product is gebruikt voor enig ander doel dan thuisgebruik, zoals maar niet exclusief een professioneel of commercieel doel (bijvoorbeeld game rooms, training, wedstrijden); (3) indien u zich niet houdt aan de instructies zoals verstrekt door Technical Support; (4) op software die onder een specifieke garantie valt; (5) op verbruik artikelen (elementen die tijdens de levensduur van het product worden vervangen zoals bijvoorbeeld batterijen of pads van een headset of koptelefoon); (6) op accessoires (zoals bijvoorbeeld kabels, behuizingen, hoesjes, etu's, draagtassen of polsbandjes); (7) indien het product werd verkocht op een openbare veiling.

Deze garantie is niet overdraagbaar.

De wettelijke rechten van de koper die in zijn/haar land van toepassing zijn op de verkoop van consumentenproducten worden op generlei wijze door deze garantie beperkt.

Aanvullende garantiebepalingen

Gedurende de garantieperiode zal Guillemot in principe nooit reserveonderdelen leveren omdat Technical Support de enige partij is die bevoegd is een Thrustmaster-product te openen en/of te herstellen (met uitzondering van een herstelprocedure die de klant door Technical Support gevraagd wordt uit te voeren met behulp van schriftelijke instructies – omdat deze procedure bijvoorbeeld eenvoudig is en het herstelproces niet vertrouwelijk is – en door het verstrekken aan de consument van de benodigde onderdelen, indien van toepassing).

Gezien de innovatiecycli en om haar knowhow en handelsgeheimen te beschermen, zal Guillemot in principe nooit een herstelbeschrijving of reserveonderdelen verstrekken voor een Thrustmaster-product waarvan de garantieperiode is verstreken.

Aansprakelijkheid

Indien toegestaan door van toepassing zijnde wetgeving, wijzen Guillemot Corporation S.A. (hierna te noemen "Guillemot") en haar dochterondernemingen alle aansprakelijkheid af voor enige schade veroorzaakt door één van de volgende oorzaken: (1) indien het product aangepast, geopend of gewijzigd is; (2) de montage-instructies niet zijn opgevolgd; (3) oneigenlijk of onvoorzichtig gebruik, verwaarlozing, een ongeluk (bijvoorbeeld stoten); (4) normale slijtage; (5) het gebruik van het product voor enig ander doel dan thuisgebruik, zoals maar niet exclusief een professioneel of commercieel doel (bijvoorbeeld game rooms, training, wedstrijden). Indien toegestaan onder van toepassing zijnde wetgeving, wijzen Guillemot en haar dochterondernemingen alle aansprakelijkheid af voor enige schade aan dit product niet gerelateerd aan een materiaal- of fabricagefout (inclusief maar niet beperkt tot enige schade direct of indirect veroorzaakt door enige software, of door het combineren van het Thrustmaster-product met enig ongeschikt element waaronder in het bijzonder voedingsadapters, oplaadbare batterijen, opladers of enig ander element niet geleverd door Guillemot voor dit product).

THRUSTMASTER®

TECHNISCHE ONDERSTEUNING

<https://support.thrustmaster.com/>



COPYRIGHT

© 2020 Guillemot Corporation S.A. Alle rechten voorbehouden. Thrustmaster® is een geregistreerd handelsmerk van Guillemot Corporation S.A.

AIRBUS, haar logo en product- en servicemarkeringen zijn geregistreerde handelsmerken van Airbus. Alle rechten voorbehouden.

© Airbus 2020. Alle rechten voorbehouden. Met officiële licentie van Airbus.

Alle andere handelsmerken zijn eigendom van de respectieve eigenaren. Afbeeldingen zijn niet bindend. Inhoud, ontwerp en specificaties kunnen zonder kennisgeving vooraf worden gewijzigd en kunnen per land verschillen. Geproduceerd in China.

AANBEVELINGEN VOOR DE BESCHERMING VAN HET MILIEU



* In de Europese Unie: Gooi dit product na het einde van de levensduur niet weg met het normale afval, maar breng het naar het door uw gemeente aangewezen inzamelpunt voor elektrische en/of computerapparatuur.

Ter herinnering is hiertoe op het product, de gebruikshandleiding of de verpakking een symbool aangebracht.

De meeste materialen kunnen worden gerecycled. Door recycling en andere methoden voor verantwoorde verwerking van afgedankte elektrische en elektronische apparaten kunt u een belangrijke bijdrage leveren aan de bescherming van het milieu.

Neem contact op met uw gemeente voor informatie over een inzamelpunt bij u in de buurt.

In alle andere landen: houd u aan de plaatselijk milieuwetgeving voor elektrische en elektronische apparaten.

Bewaar deze informatie. De kleuren en decoraties kunnen variëren.

Plastic bevestigingen en hechtmaterialen moeten van het product worden verwijderd voordat het wordt gebruikt.

Dit product voldoet aan alle normen voor kinderen van 14 jaar en ouder. Dit product is niet geschikt voor gebruik door kinderen jonger dan 14 jaar.

www.thrustmaster.com

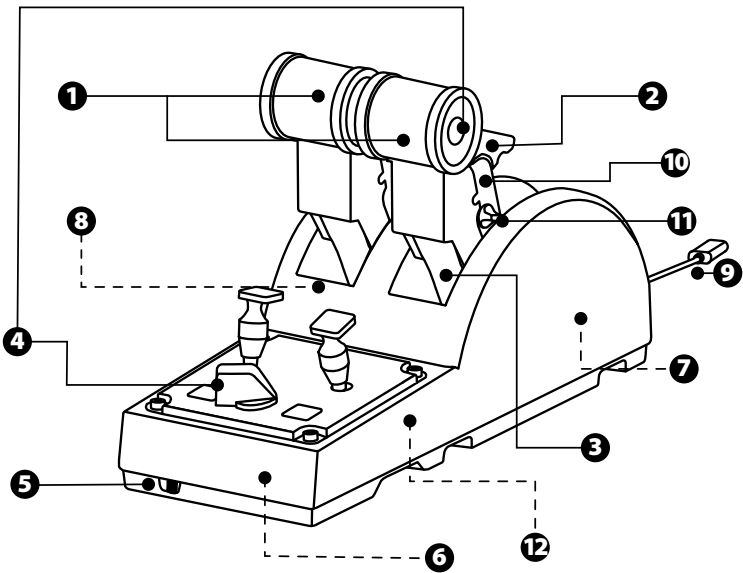
**Alleen van toepassing in de EU en Turkije*

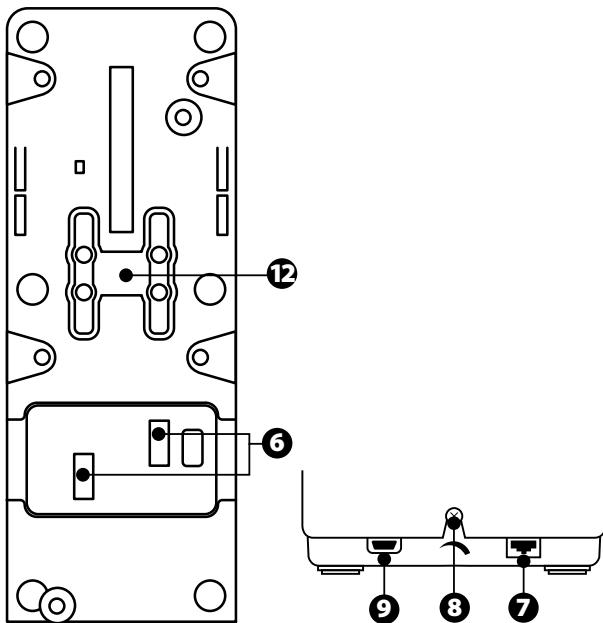


TCA QUADRANT AIRBUS EDITION

Manuale d'uso

CARATTERISTICHE TECNICHE





- | | |
|--|--|
| <ol style="list-style-type: none"> 1. Assi X e Y della manetta 2. Meccanismo inversore di spinta per ciascun asse 3. 4 fermi per asse — 4 pulsanti virtuali per asse 4. 8 pulsanti azione 5. Selettore motori: 1/2 o 3/4 6. Connettori SATA per moduli esterni TCA Quadrant Add-On Airbus Edition (add-on venduto separatamente) | <ol style="list-style-type: none"> 7. Connettore per sistema di timonaggio TFRP (venduto separatamente) 8. Vite di regolazione della resistenza 9. Connettore USB (tipo B) 10. Posizione barra orizzontale 11. Meccanismo di attivazione/disattivazione inversori di spinta per ciascun asse 12. Meccanismo di attivazione/disattivazione per ciascun asse |
|--|--|

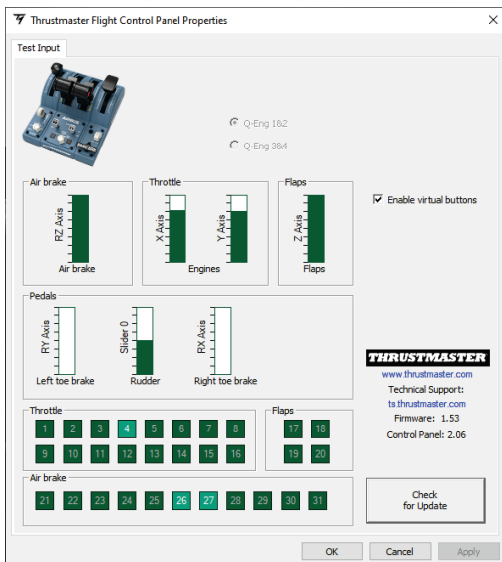
INSTALLAZIONE SU PC

1. Visita il sito <https://support.thrustmaster.com/>. Clicca su **Joystick / TCA Quadrant Airbus Edition** e seleziona **Driver**. Scarica e installa i driver per PC e la relativa interfaccia personalizzata per il Pannello di controllo di Windows.
2. Dopo aver installato i driver per PC, collega il connettore USB della periferica ad una porta USB del tuo PC.
3. Per accedere al Pannello di controllo, clicca su **Start / App / Thrustmaster / Pannello di controllo** (in Windows® 10 / 8.1 / 8).

Apparirà la finestra di dialogo **Periferiche di gioco**.

L'accessorio apparirà sullo schermo con il nome **TCA Q-Eng 1&2** (o **TCA Q-Eng 3&4**, a seconda della posizione del selettore per i motori [5]), con stato **OK**.

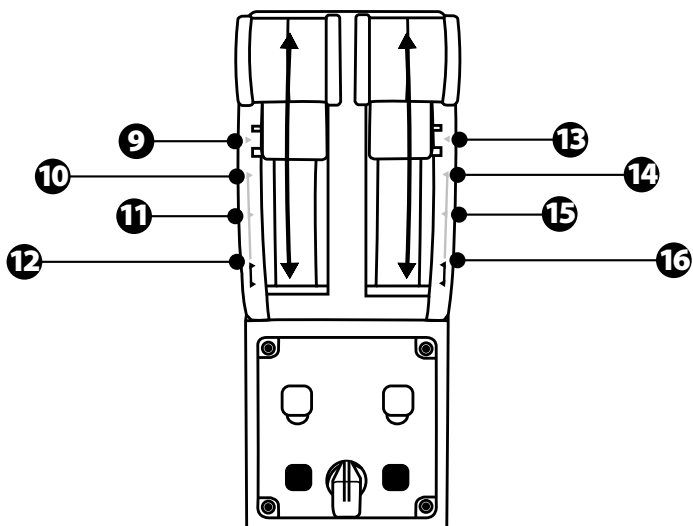
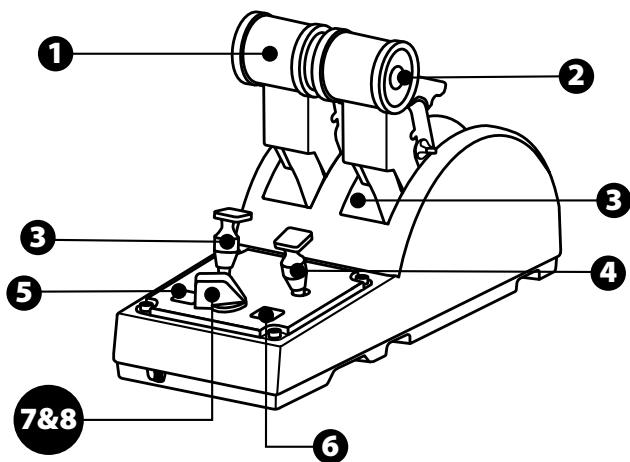
4. Nella finestra **Periferiche di gioco**, clicca su **Proprietà** per testare e visualizzare tutte le funzioni.

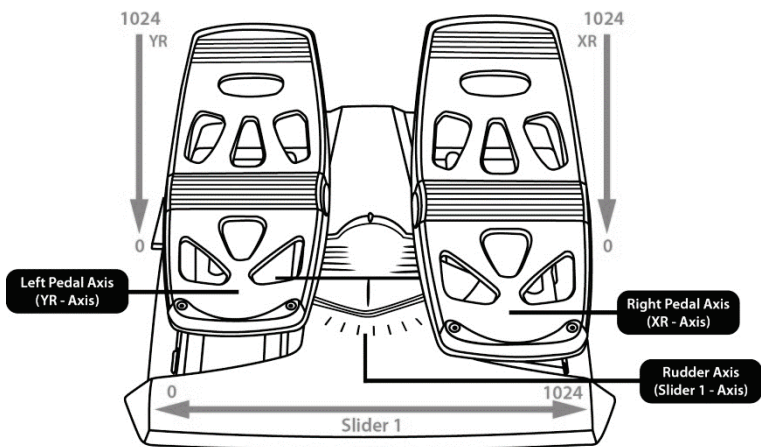
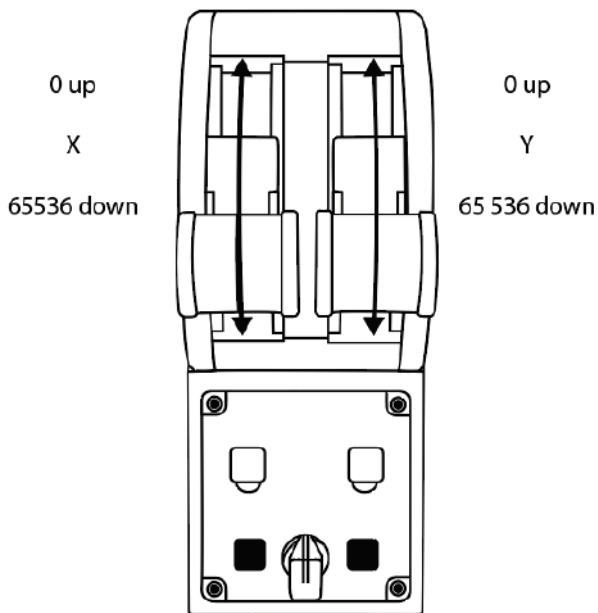


Enable virtual buttons ("Attiva pulsanti virtuali"): questa funzione ti permette di attivare o disattivare i pulsanti virtuali degli assi della manetta. Dopo aver scelto la tua modalità, clicca su **Apply** ("Applica").

Ora sei pronto per giocare!

MAPPATURA DEI 16 PULSANTIE DEI 2 ASSI



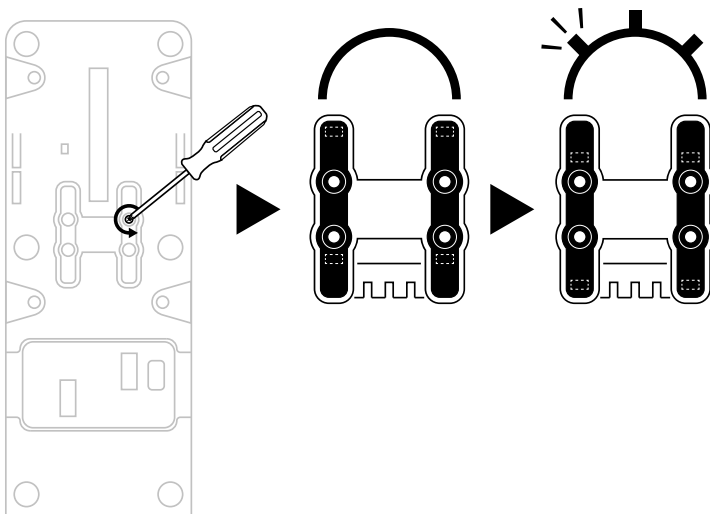


MODIFICARE GLI ASSI DEL QUADRANTE MANETTA TCA QUADRANT AIRBUS EDITION

Il quadrante manetta TCA Quadrant Airbus Edition dispone di selettori meccanici per disattivare i blocchi/le tacche per ciascun asse. In questo modo, avrai assi più fluidi, conservando i pulsanti virtuali dal 9 al 16.

Questa opzione ti permette di modificare le sensazioni di pilotaggio in base al tipo di aereo utilizzato nella tua simulazione (aereo commerciale o aereo civile).

1. Ribalta il TCA Quadrant Airbus Edition e svita le due viti di ciascun selettore, utilizzando un cacciavite con l'apposita punta.
2. Scambia la posizione dei selettori, utilizzando gli indicatori come guida: questo sistema ti permette di scegliere tra un asse fluido e un asse con blocchi/tacche, per ciascun asse del quadrante manetta TCA Quadrant Airbus Edition.

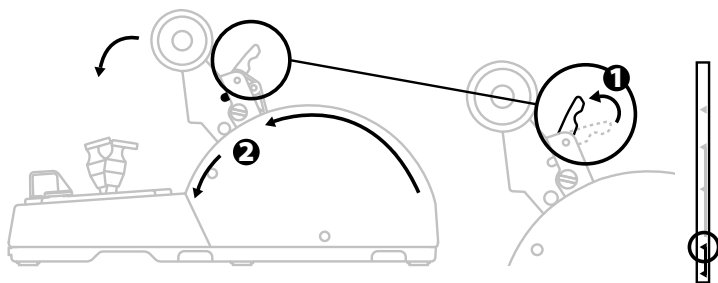


DISABILITARE GLI INVERSORI DI SPINTA DEL QUADRANTE MANETTA TCA QUADRANT AIRBUS EDITION

Il quadrante manetta TCA Quadrant Airbus Edition dispone di pratici inversori di spinta, identici a quelli presenti sulle manette degli aerei commerciali Airbus. Per un pilotaggio più adatto all'aviazione civile, puoi disattivare il meccanismo inversore di spinta.

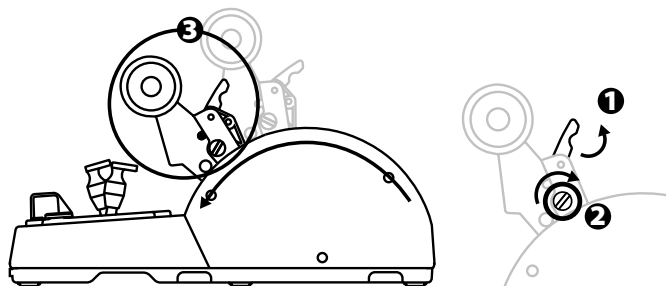
Modalità voli commerciali:

1. In fase di stop, solleva il meccanismo inversore di spinta.
2. Superando il punto di stop, attiverai l'inversore di spinta.

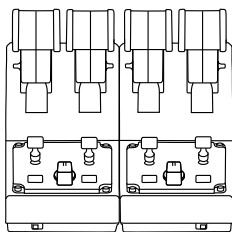


Modalità aviazione generale e civile:

1. Solleva il meccanismo inversore di spinta.
2. Ruota il selettore in posizione "0" per disattivare il meccanismo inversore di spinta.
3. La leva della manetta può ora muoversi lungo l'intero asse.

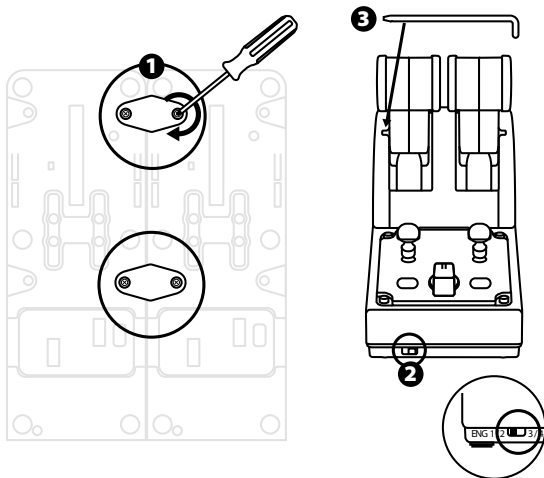


COLLEGARE DUE QUADRANTI MANETTA TCA QUADRANT AIRBUS EDITION

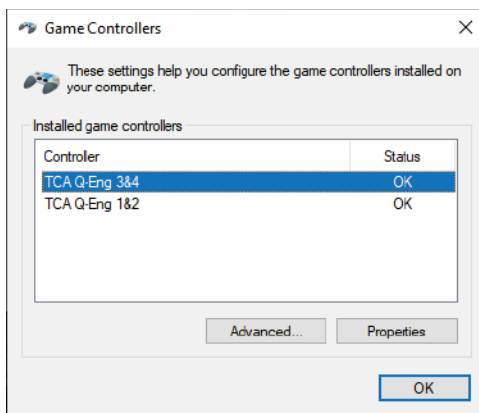


Puoi collegare un secondo quadrante manetta TCA Quadrant Airbus Edition (venduto separatamente): in questo modo, disporrai di un totale di 4 assi, simulando, ad esempio, un aereo di linea commerciale quadrimotore.

1. Ribalta entrambi i quadranti manetta TCA Quadrant Airbus Edition e uniscitra loro le due periferiche avvitando i due blocchi di aggancio acclusi al TCA Quadrant Airbus Edition.
2. Sul secondo quadrante manetta, sposta fisicamente il selettore in posizione **3/4**, in modo tale da associare i motori 3 e 4 al secondo quadrante manetta (su PC, nel Pannello di controllo).
3. Collega gli assi tra loro accoppiandoli (1/2 e 3/4), per poterli muovere all'unisono più facilmente, utilizzando la barra orizzontale inclusa in ciascun TCA Quadrant Airbus Edition.

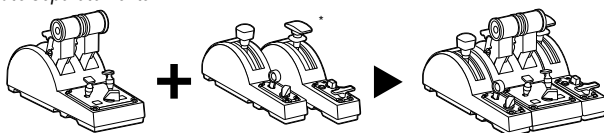


4. Una volta collegate entrambe le periferiche al tuo PC via USB, compariranno singolarmente nella finestra di dialogo **Periferiche di gioco**:



COLLEGARE IL QUADRANTE MANETTA TCA QUADRANT AIRBUS EDITION AL TCA QUADRANT ADD-ON AIRBUS EDITION*

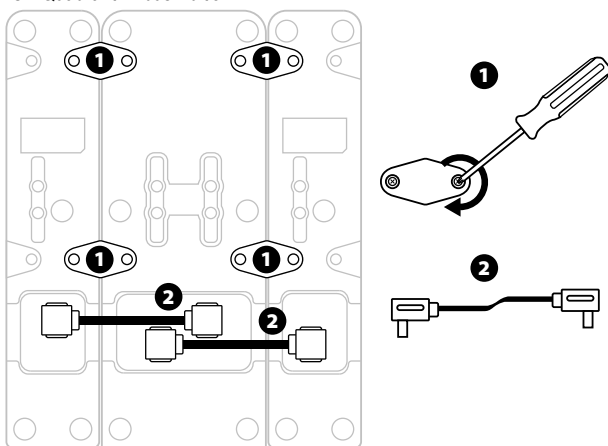
* Venduto separatamente



Il quadrante manetta TCA Quadrant Airbus Edition ti permette di collegare i moduli aggiuntivi TCA Quadrant Add-On Airbus Edition (venduti separatamente) ad entrambi i lati del TCA Quadrant Airbus Edition.

Questa modularità aggiunge nuovi assi e nuovi pulsanti, ampliando le cinematiche di decollo, volo e atterraggio del quadrante manetta TCA Quadrant Airbus Edition.

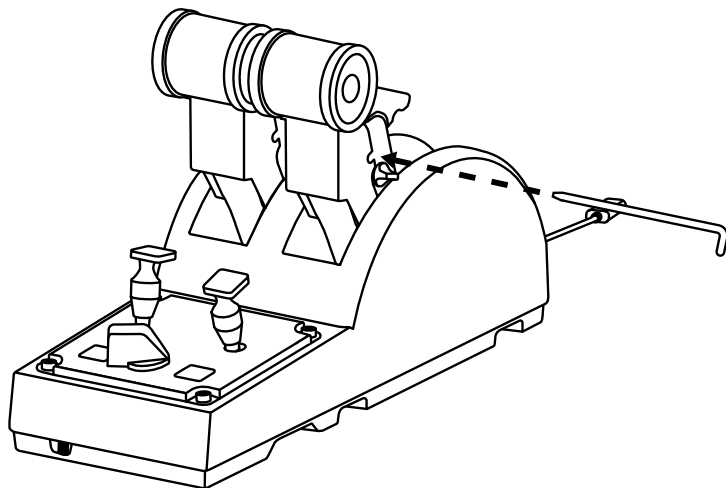
1. Ribalta il quadrante manetta TCA Quadrant Airbus Edition e i due moduli aggiuntivi TCA Quadrant Add-On Airbus Edition, dopodiché (utilizzando un cacciavite con l'apposita punta) avvita i quattro blocchi di aggancio acclusi al quadrante manetta TCA Quadrant Airbus Edition e al TCA Quadrant Add-On Airbus Edition, unendo tra loro le tre periferiche: il modulo Aerofreno alla sinistra del TCA Quadrant Airbus Edition e il modulo Flap a destra.
2. Collega i cavi SATA acclusi al TCA Quadrant Add-On Airbus Edition ai connettori SATA del TCA Quadrant Airbus Edition.



- Per non rischiare di danneggiare i prodotti, per avvitare/svitare le viti, utilizza un cacciavite dotato dell'apposita punta.
- Utilizza solo i cavi ufficiali forniti da Thrustmaster.

AGGANCIARE/SEPARARE I DUE INVERSORI DI SPINTA

Per collegare tra loro le due leve di spinta, utilizza la barra orizzontale acclusa al quadrante manetta TCA Quadrant Airbus Edition.

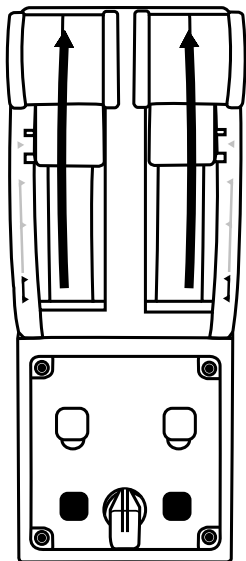


REGOLARE LA RESISTENZA

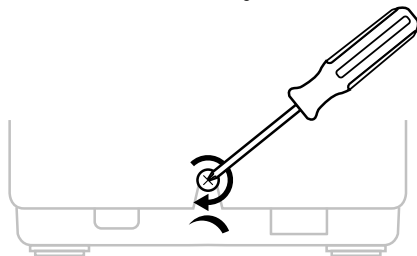
AVVISI IMPORTANTI:

- La resistenza predefinita delle due leve di spinta è pari al 50%.
- Per poter eseguire delle regolazioni di precisione, in base alle tue preferenze, puoi ruotare la vite di regolazione della resistenza utilizzando un cacciavite con l'apposita punta, o l'acclusa barra orizzontale.

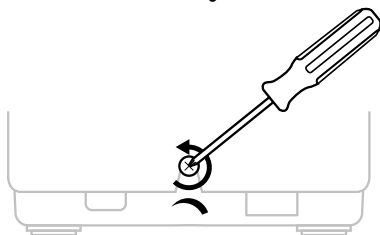
1. Spingi completamente in avanti entrambe le leve di spinta, quindi accedi alla vite di regolazione della resistenza presente sul retro del TCA Quadrant Airbus Edition.



2. Per aumentare la resistenza, ruota la vite di regolazione in senso orario.



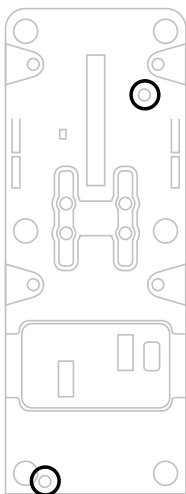
3. Per diminuire la resistenza, ruota la vite di regolazione in senso antiorario.



- Per non rischiare di danneggiare il meccanismo di resistenza, fai attenzione a non stringere troppo la vite di regolazione: appena avverti della resistenza, smetti di ruotare la vite.
- Non svitare mai del tutto la vite di regolazione, altrimenti questa potrebbe cadere all'interno del TCA Quadrant Airbus Edition.

FISSARE IL QUADRANTE MANETTA TCA QUADRANT AIRBUS EDITION A UN ABITACOLO O AD ALTRA SUPERFICIE FISSA

Per fissare il TCA Quadrant Airbus Edition a un abitacolo o ad altra superficie fissa, puoi sfruttare i due fori presenti nella parte inferiore del TCA Quadrant Airbus Edition, utilizzando delle viti M6 (non incluse).



COLLEGARE IL SISTEMA DI TIMONAGGIO TFRP* AL QUADRANTE MANETTA TCA QUADRANT AIRBUS EDITION

* Venduto separatamente

Il quadrante manetta TCA Quadrant Airbus Edition dispone di 7 assi, di cui 3 sono riservati al sistema di timonaggio TFRP.

Il sistema di timonaggio TFRP si collega direttamente al quadrante manetta TCA Quadrant Airbus Edition.

1. Collega il connettore maschio RJ12 del sistema di timonaggio TFRP al connettore femmina RJ12 presente sul retro del quadrante manetta TCA Quadrant Airbus Edition.
2. Collega il connettore USB del quadrante manetta TCA Quadrant Airbus Edition a una porta USB del tuo PC.

Avvisi importanti sulla calibrazione automatica degli assi:

- Ogni volta che colleghi il sistema di timonaggio TFRP al quadrante manetta TCA Quadrant Airbus Edition, lascia sempre il sistema di timonaggio al centro: durante questa procedura, non appoggiare mai i tuoi piedi sui pedali del sistema di timonaggio TFRP.
- I 3 assi dei pedali si calibrano automaticamente dopo alcuni movimenti e dopo che verranno raggianti i blocchi fisici dell'asse del timone e dei 2 assi del freno differenziale.

SOFTWARE DI PROGRAMMAZIONE AVANZATA T.A.R.G.E.T (Thrustmaster Advanced pRogramming Graphical EdiTor)

Visita il sito <https://support.thrustmaster.com>. Clicca su **Joystick / TCA Quadrant Airbus Edition**, dopodiché scegli **Software**. Scarica e installa il software di programmazione avanzata T.A.R.G.E.T.

Funzioni principali di T.A.R.G.E.T:

- Svariate configurazioni possibili per gli assi.
- Svariati livelli di programmazione possibili: Basic, Advanced e Script.
- Uso del principio del Drag and Drop.
- Possibilità di abbinare il quadrante manetta TCA Quadrant Airbus Edition a diversi joystick Thrustmaster (HOTAS Cougar, HOTAS Warthog, T.16000M, MFD Cougar Pack, tutti compatibili anche con T.A.R.G.E.T), che verranno poi riconosciuti come singole periferiche USB.
- Accesso a profili avanzati creati dalla community Thrustmaster.



AVVISI E RISOLUZIONE DEI PROBLEMI

- **Il mio quadrante manetta TCA Quadrant Airbus Edition non funziona correttamente o sembra non essere calibrato correttamente.**
 - Spegni il tuo PC e scollega il connettore USB del quadrante manetta TCA Quadrant Airbus Edition. Dopodiché, ricollega il connettore USB, riaccendi il tuo PC e riavvia il tuo gioco.
 - Quando colleghi il connettore USB del quadrante manetta TCA Quadrant Airbus Edition, se stai utilizzando il sistema di timonaggio TFRP (venduto separatamente), lascia sempre l'asse del timone al centro: durante questa procedura, non appoggiare mai i tuoi piedi sui pedali del sistema di timonaggio TFRP.
- **Non riesco a configurare il mio quadrante manetta TCA Quadrant Airbus Edition.**
 - Nel menu Opzioni / Controller / Gamepad o Joystick del tuo gioco, seleziona la configurazione corretta o riconfigura completamente le opzioni del controller.
 - Per ulteriori informazioni, fai riferimento al manuale d'uso del tuo gioco o all'aiuto online.
 - Usa il software di programmazione avanzata T.A.R.G.E.T (Thrustmaster Advanced Programming Graphical Editor).
- **Il mio quadrante manetta TCA Quadrant Airbus Edition è troppo sensibile o non sensibile abbastanza.**
 - Gli assi del quadrante manetta TCA Quadrant Airbus Edition si calibrano automaticamente dopo pochi movimenti e dopo aver raggiunto i blocchi fisici degli assi.
 - Nel menu Opzioni / Controller / Gamepad o Joystick del tuo gioco, regola la sensibilità e le zone morte per il tuo controller (se tali opzioni fossero disponibili).
 - Usa il software di programmazione avanzata T.A.R.G.E.T (Thrustmaster Advanced Programming Graphical Editor).



Questa periferica è stata concepita per essere utilizzata unicamente in ambito videoludico. È severamente vietato utilizzare questa periferica per attività di allenamento professionali.

Informazioni sulla garanzia al consumatore

A livello mondiale, Guillemot Corporation S.A., avente sede legale in Place du Granier, B. P. 97143, 35571 Chantepie, Francia (d'ora in avanti "Guillemot") garantisce al consumatore che il presente prodotto Thrustmaster sarà privo di difetti relativi ai materiali e alla fabbricazione, per un periodo di garanzia corrispondente al limite temporale stabilito per la presentazione di un reclamo riguardante la conformità del prodotto in questione. Nei paesi della Comunità Europea, tale periodo equivale a due (2) anni a partire dalla consegna del prodotto Thrustmaster. In altri paesi, la durata della garanzia corrisponde al limite temporale stabilito per la presentazione di un reclamo riguardante la conformità del prodotto Thrustmaster in base alle leggi applicabili nel paese in cui il consumatore risiedeva alla data di acquisto del prodotto Thrustmaster (qualora nel paese in questione non esistesse alcuna norma a riguardo, il periodo di garanzia corrisponderà a un (1) anno a partire dalla data originale di acquisto del prodotto Thrustmaster).

Qualora, durante il periodo di garanzia, il prodotto dovesse apparire difettoso, contatti immediatamente l'Assistenza Tecnica, che le indicherà la procedura da seguire. Qualora il difetto dovesse essere confermato, il prodotto dovrà essere riportato al luogo di acquisto (o qualsiasi altro luogo indicato dall'Assistenza Tecnica).

Nel contesto della presente garanzia, il prodotto difettoso di proprietà del consumatore potrà essere sostituito o reso nuovamente funzionante, a discrezione dell'Assistenza Tecnica. Se, durante il periodo coperto dalla garanzia, il prodotto Thrustmaster fosse oggetto di tale rimessa in operatività, alla rimanente durata della garanzia dovrà essere aggiunto un periodo di almeno sette (7) giorni, durante il quale il prodotto risulta non utilizzabile (tale periodo intercorre dalla data della richiesta di intervento da parte del consumatore o dalla data in cui il prodotto in questione è reso disponibile per la rimessa in operatività, questo nel caso in cui tale data sia successiva alla data di richiesta di intervento). Qualora le leggi applicabili in materia lo consentano, la totale responsabilità di Guillemot e delle sue controllate (compresi i danni conseguenti) si limita alla rimessa in operatività o alla sostituzione del prodotto Thrustmaster. Qualora le leggi applicabili in materia consentano, Guillemot declina ogni garanzia sulla commerciabilità o la conformità a finalità particolari.

La presente garanzia non potrà essere applicata: (1) se il prodotto è stato modificato, aperto, alterato o ha subito danni derivanti da un uso inappropriato o non autorizzato, da negligenza, da un incidente, dalla semplice usura, o da qualsiasi altra causa non riconducibile a difetti nei materiali o nell'assemblaggio (compresi, ma non i soli, prodotti Thrustmaster combinati con elementi inadatti, tra cui, in particolare, batterie ricaricabili, caricatori o qualsiasi altro elemento non fornito da Guillemot per questo prodotto); (2) nel caso in cui il prodotto sia stato utilizzato per qualsiasi altro scopo al di fuori dell'uso domestico, comprese finalità professionali o commerciali (esempio: sale giochi, allenamenti, concorsi); (3) in caso di mancato rispetto delle istruzioni fornite dall'Assistenza Tecnica; (4) in caso di software, ovvero software soggetto a una specifica garanzia; (5) ai materiali di consumo (elementi che richiedono la loro sostituzione al termine della loro durata di esercizio come, ad esempio, batterie di tipo convenzionale o cuscinetti protettivi per auricolari o cuffie); (6) agli accessori (ad esempio, cavi, custodie, borsette, borse, cinturini); (7) se il prodotto è stato venduto ad un'asta pubblica.

La presente garanzia non è trasferibile.

I diritti legali del consumatore, stabiliti dalle leggi vigenti in materia di vendita di beni di consumo nel relativo paese, non vengono intaccati dalla presente garanzia.

Disposizioni aggiuntive sulla garanzia

Per tutta la durata della garanzia, in linea di principio, Guillemot non fornirà alcuna parte di ricambio, in quanto la sola Assistenza Tecnica è la parte autorizzata ad aprire e/o rimettere in funzionamento tutti i prodotti Thrustmaster (fatta eccezione per eventuali procedure di rimessa in operatività che l'Assistenza Tecnica potrebbe richiedere al consumatore, attraverso istruzioni scritte – viste, ad esempio, la semplicità e la mancanza di riservatezza della procedura di rimessa in operatività – e fornendo al consumatore le necessarie parti di ricambio, se ve ne fosse l'esigenza).

Considerando i propri cicli di innovazione e per proteggere il proprio know-how e i propri segreti commerciali, in linea di principio, Guillemot non fornirà alcuna notifica o parte di ricambio finalizzata alla rimessa in attività di un qualunque prodotto Thrustmaster il cui periodo di garanzia risultasse scaduto.

Responsabilità

Qualora le leggi applicabili in materia lo consentano, Guillemot Corporation S. A. (d'ora in avanti "Guillemot") e le sue controllate declinano ogni responsabilità per qualsiasi danno derivante da almeno una delle seguenti condizioni: (1) il prodotto è stato modificato, aperto o alterato; (2) mancato rispetto delle istruzioni di installazione; (3) uso inappropriato o non permesso, negligenza, incidente (come, ad esempio, un impatto); (4) semplice usura; (5) utilizzo del prodotto per qualsiasi altro scopo al di fuori dell'uso domestico, comprese finalità professionali o commerciali (esempio: sale giochi, allenamenti, concorsi). Qualora le leggi applicabili in materia lo consentano, Guillemot e le sue controllate declinano ogni responsabilità per qualsiasi danno non riconducibile a difetti nei materiali o nella fabbricazione del prodotto (compresi, ma non i soli, potenziali danni causati direttamente o indirettamente da un qualunque software, oppure dall'uso del prodotto Thrustmaster in combinazione con elementi inadatti, tra cui, in particolare, batterie ricaricabili, caricatori o qualsiasi altro elemento non fornito da Guillemot per questo prodotto).



COPYRIGHT

© 2020 Guillemot Corporation S.A. Tutti i diritti riservati. Thrustmaster® è un marchio registrato di proprietà di Guillemot Corporation S.A.

AIRBUS, il relativo logo e i marchi di suoi prodotti e servizi, sono marchi registrati di proprietà di Airbus. Tutti i diritti riservati.

© Airbus 2020. Tutti i diritti riservati. Accompagnato da licenza ufficiale Airbus.

Tutti gli altri marchi appartengono ai legittimi proprietari. Illustrazioni escluse. I contenuti, i design e le caratteristiche possono essere oggetto di modifiche senza preavviso e possono variare da un Paese all'altro. Fabbricato in Cina.

RACCOMANDAZIONI SULLA TUTELA DELL'AMBIENTE



* Nell'Unione Europea: Al termine della sua vita operativa, questo prodotto non dovrebbe essere gettato assieme ai comuni rifiuti, ma dovrebbe essere portato ad un apposito punto di raccolta destinato al riciclaggio del Materiale Elettrico ed Elettronico.

Ciò è confermato dal simbolo riportato sul prodotto, nel manuale d'uso o sulla confezione.

Tramite il riciclaggio ed altre forme di trattamento del Materiale Elettrico ed Elettronico, è possibile fornire un importante contributo per la salvaguardia dell'ambiente.

Per conoscere i punti di raccolta più vicini a te, contatta le autorità locali competenti.

In tutti gli altri Paesi: per favore, rispetta le leggi locali sul riciclo dei materiali elettrici ed elettronici.

Informazioni da conservare. I colori e le decorazioni possono variare.

I ganci di plastica e gli adesivi dovrebbero essere rimossi dal prodotto prima che quest'ultimo venga utilizzato.

Questo prodotto è conforme con le norme relative ai bambini di età superiore ai 14 anni. Non è adatto all'uso da parte di bambini di età inferiore ai 14 anni.

www.thrustmaster.com

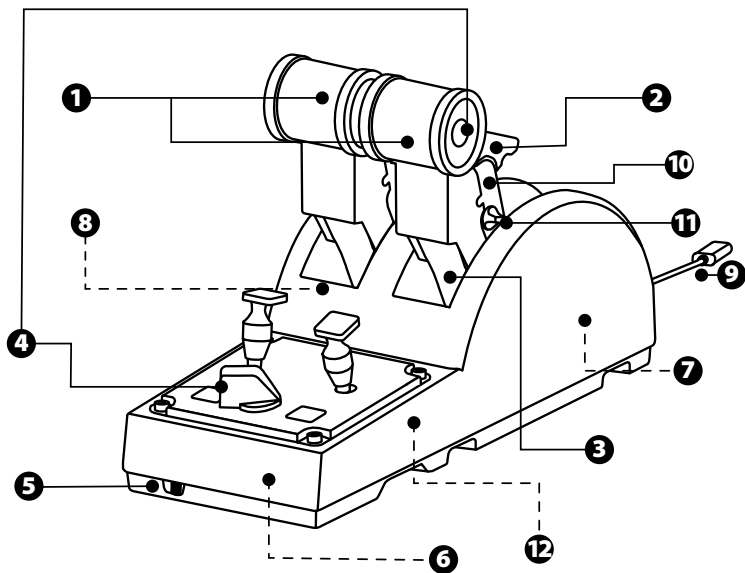
**Valido solo in UE e Turchia*



TCA QUADRANT AIRBUS EDITION

Manual del usuario

CARACTERÍSTICAS TÉCNICAS



EN

FR

DE

NL

IT

ES

PT

RU

CS

TR

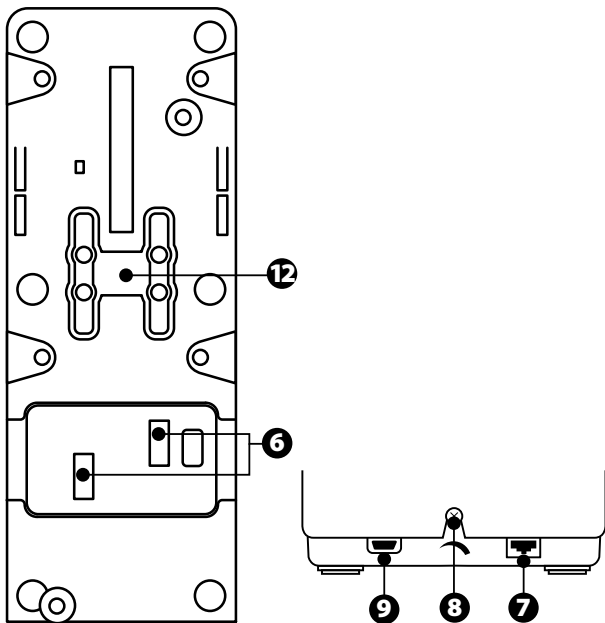
PL

日本語

繁體中文

한국어

العربية



- | | |
|--|---|
| <ol style="list-style-type: none"> 1. Ejes X e Y para acelerador 2. Mecanismo inversor de empuje en cada eje 3. 4 toques por eje — 4 botones virtuales por eje 4. 8 botones de acción 5. Conmutador selector de motores: 1/2 o 3/4 6. Conectores SATA para módulos externos TCA Quadrant Add-On Airbus Edition (add-on vendido por separado) | <ol style="list-style-type: none"> 7. Conector para sistema de timón TFRP (vendido por separado) 8. Tornillo de ajuste de fricción 9. Conector USB (tipo B) 10. Ubicación de barra 11. Mecanismo para activar/desactivar el inversor de empuje en cada eje 12. Mecanismo para activar/desactivar los toques en cada eje |
|--|---|

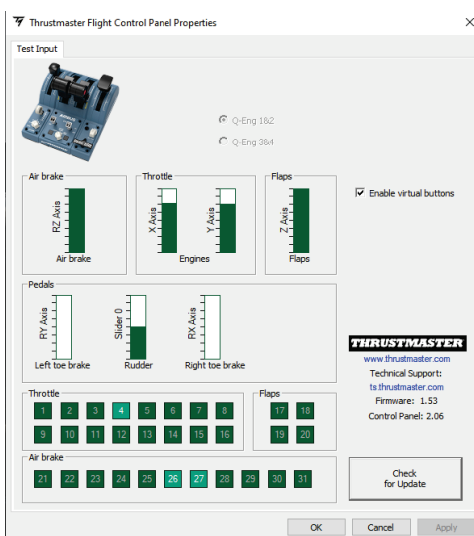
INSTALACIÓN EN PC

1. Visita <https://support.thrustmaster.com/>. Haz clic en **Joysticks / TCA Quadrant Airbus Edition**, y selecciona **Controladores**. Descarga e instala el controlador para PC y su interfaz personalizada para el Panel de control de Windows.
2. Una vez instalado el controlador para PC, conecta la clavija USB del dispositivo a uno de los puertos USB del PC.
3. Para acceder al Panel de control, haz clic en **Inicio / Aplicaciones / Thrustmaster / Panel de control** (en Windows® 10 / 8.1 / 8).

Aparece el cuadro de diálogo **Dispositivos de juego**.

El accesorio aparece listado en la pantalla con el nombre **TCA Q-Eng 1&2** (o **TCA Q-Eng 3&4**, en función de la posición del conmutador selector de los motores [5]), junto con el estado **OK**.

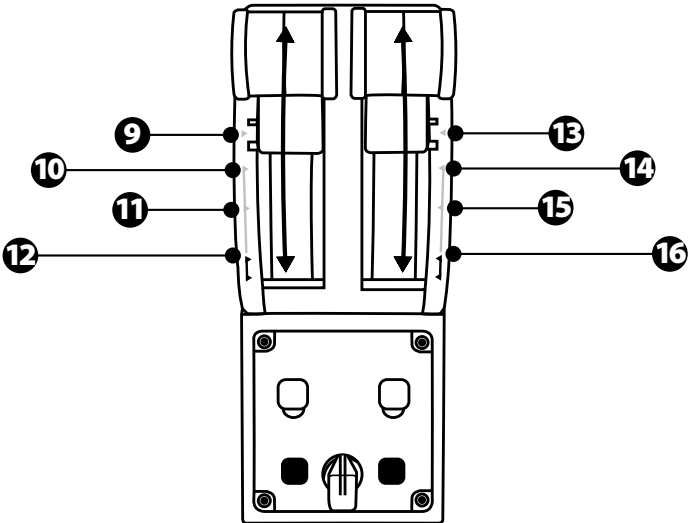
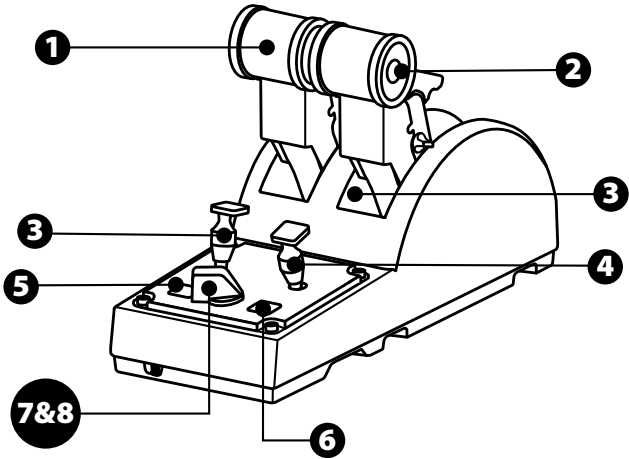
4. En el cuadro de diálogo **Dispositivos de juego**, haz clic en **Propiedades** para probar y ver todas las funciones.

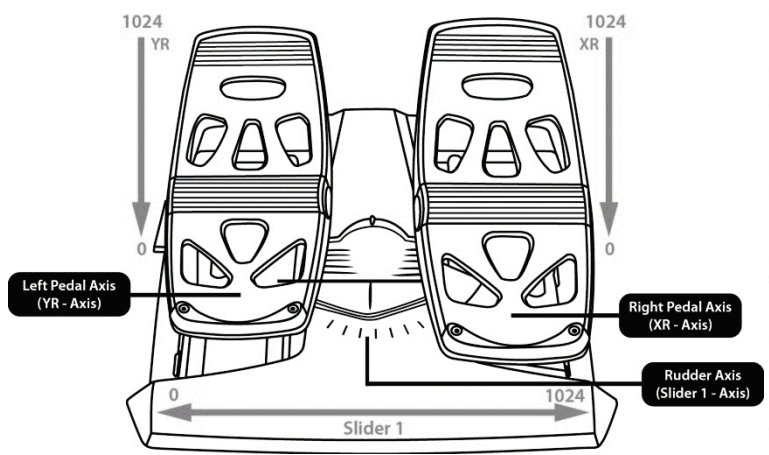
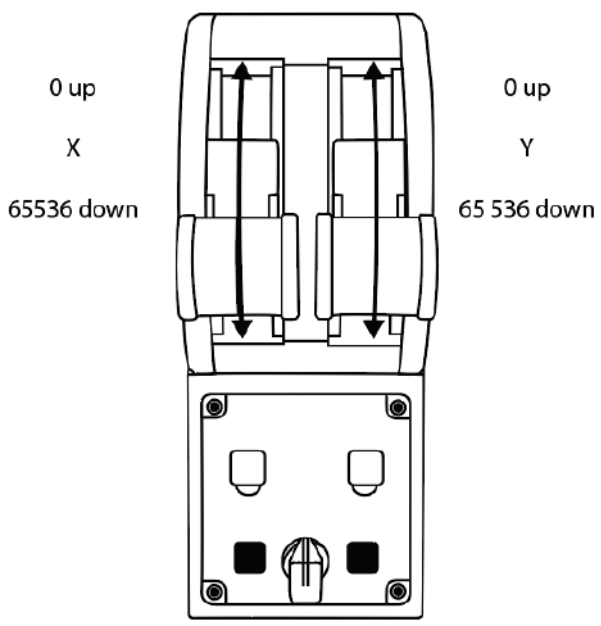


Enable virtual buttons (Activar botones virtuales): Esta función te permite activar o desactivar los botones virtuales en los ejes del acelerador. Haz clic en **Apply** (Aplicar) una vez que hayas seleccionado tu modo.

¡Ya estás preparado para jugar!

MAPEADO DE LOS 16 BOTONES Y LOS 2 EJES



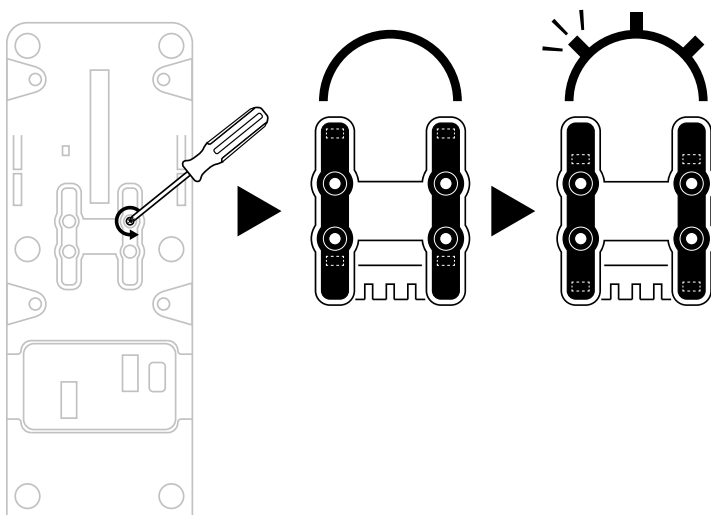


CÓMO HACER CAMBIOS A LOS EJES DEL CUADRANTE DE ACELERACIÓN TCA QUADRANT AIRBUS EDITION

El cuadrante de aceleración TCA Quadrant Airbus Edition incorpora selectores mecánicos que te permiten desactivar los topes/muestras de cada eje. Hacer eso te permite tener ejes más fluidos, además de mantener de 9 a 16 botones virtuales.

Esta opción te permite cambiar las sensaciones de pilotaje según el tipo de avión que se está usando en tu simulación (avión comercial o civil).

1. Dale la vuelta al TCA Quadrant Airbus Edition y afloja los dos tornillos de cada uno de los selectores usando un destornillador con la forma de la cabeza correspondiente.
2. Cambia la posición de los selectores usando los indicadores como guía: esto te permitirá elegir un eje fluido o un eje con topes/muestras, para cada eje del cuadrante de aceleración TCA Quadrant Airbus Edition.

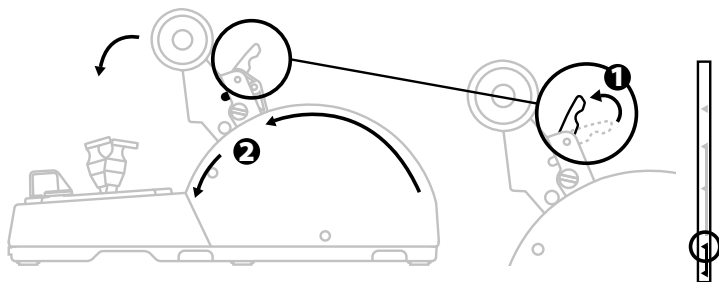


CÓMO DESACTIVAR LOS INVERSORES DE EMPUJE DEL CUADRANTE DE ACELERACIÓN TCA QUADRANT AIRBUS EDITION

El cuadrante de aceleración TCA Quadrant Airbus Edition incorpora inversores de empuje funcionales, que replican a los que se encuentran en los aceleradores de la aviación comercial de Airbus. Puedes desactivar el mecanismo inversor de empuje para obtener un pilotaje más adecuado a la aviación civil.

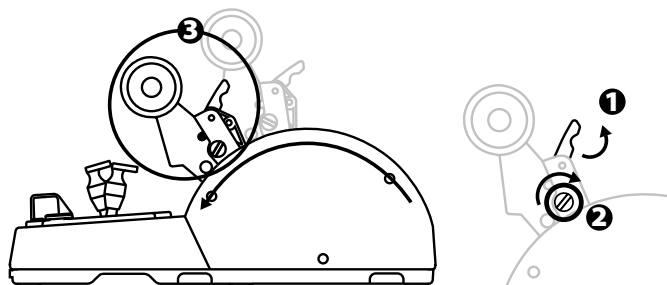
Modo avión de pasajeros comercial:

1. En el tope, levanta el mecanismo inversor de empuje.
2. Al superar el tope te permite usar el inversor de empuje.

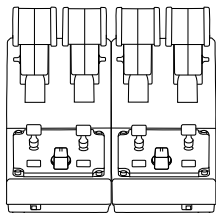


Modo general y de aviación civil:

1. Levanta el mecanismo inversor de empuje.
2. Gira el selector a la posición 0 para desactivar el mecanismo inversor de empuje.
3. La palanca de empuje ahora se puede mover por todo el eje.

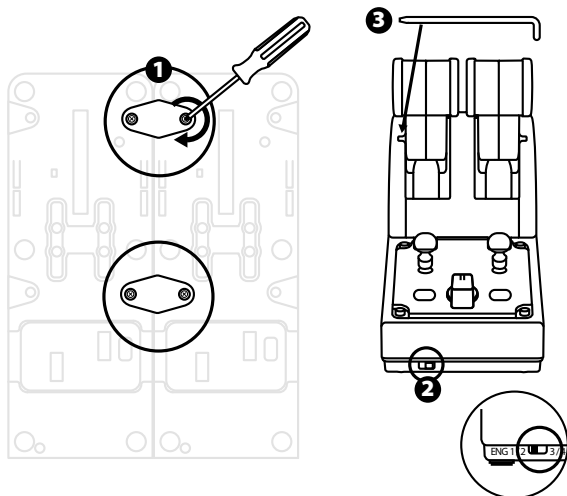


CONEXIÓN DE DOS CUADRANTES DE ACELERACIÓN TCA QUADRANT AIRBUS EDITION

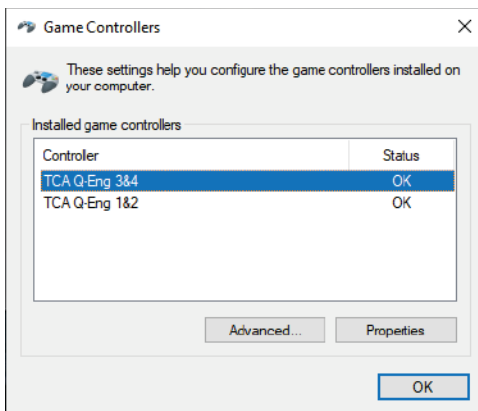


Puedes conectar un segundo cuadrante de aceleración TCA Quadrant Airbus Edition (vendido por separado): esto te permitirá usar 4 ejes en total, para simular un avión de pasajeros comercial cuatrimotor, por ejemplo.

1. Dale la vuelta a ambos cuadrantes de aceleración TCA Quadrant Airbus Edition y atornilla las dos piezas de fijación incluidas con el TCA Quadrant Airbus Edition para unir los dos dispositivos.
2. En el segundo cuadrante de aceleración, coloca físicamente el conmutador selector en 3/4 para asociar los motores 3 y 4 con el segundo cuadrante de aceleración (en el Panel de control en PC).
3. Conecta los ejes juntos en pares (1/2 y 3/4) para facilitar moverlos al unísono, usando la barra incluida con cada TCA Quadrant Airbus Edition.

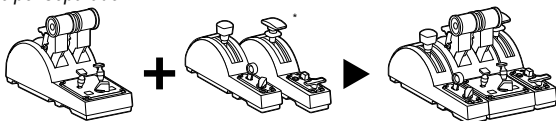


4. Cuando ambos dispositivos están conectados al PC a través de USB, aparecen independientemente en el cuadro de diálogo **Dispositivos de juego**:



CONEXIÓN DEL CUADRANTE DE ACELERACIÓN TCA QUADRANT AIRBUS EDITION AL TCA QUADRANT ADD-ON AIRBUS EDITION*

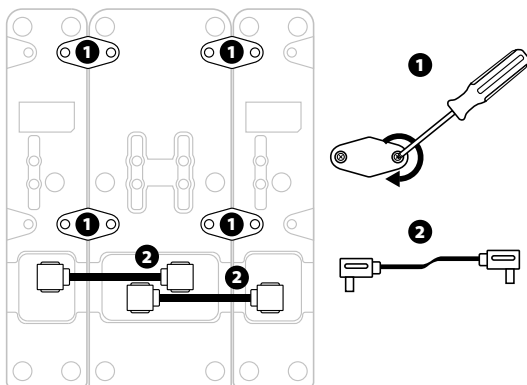
* Se vende por separado



El cuadrante de aceleración TCA Quadrant Airbus Edition te permite conectar los módulos adicionales TCA Quadrant Add-On Airbus Edition (vendidos por separado) a ambos lados del TCA Quadrant Airbus Edition.

Esta modularidad añade nuevos ejes y botones de acción y te permite expandir las cinemáticas del despegue, aterrizaje y en vuelo del cuadrante de aceleración TCA Quadrant Airbus Edition.

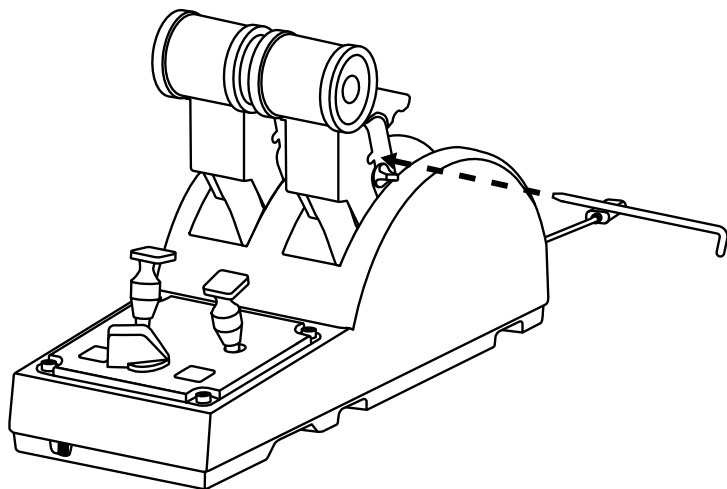
1. Da la vuelta al cuadrante de aceleración TCA Quadrant Airbus Edition y a los dos módulos TCA Quadrant Add-On Airbus Edition adicionales, y (usando un destornillador con la forma de la cabeza correspondiente) atornilla las cuatro piezas de fijación incluidas con el cuadrante de aceleración TCA Quadrant Airbus Edition y el TCA Quadrant Add-On Airbus Edition, para unir los tres dispositivos: el módulo de Freno aerodinámico a la izquierda del TCA Quadrant Airbus Edition y el módulo de Flaps a la derecha.
2. Conecta los cables SATA incluidos con el TCA Quadrant Add-On Airbus Edition a los conectores SATA del TCA Quadrant Airbus Edition.



- Para evitar dañar los productos, usa un destornillador con la forma de la cabeza correspondiente para apretar o aflojar los tornillos.
- Usa únicamente los cables oficiales proporcionados por Thrustmaster.

CÓMO UNIR/SEPARAR LAS DOS PALANCAS DE EMPUJE

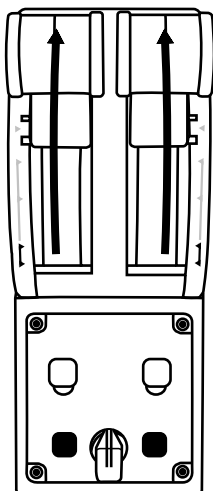
Usa la barra incluida con el cuadrante de aceleración TCA Quadrant Airbus Edition para conectar las dos palancas de empuje.



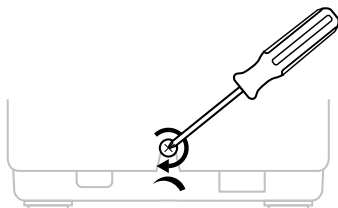
CÓMO AJUSTAR LA FRICCIÓN

NOTAS IMPORTANTES:

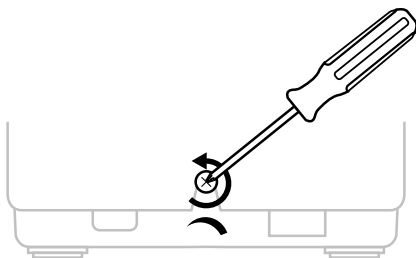
- La fricción de las dos palancas de empuje está definida al 50% de forma predeterminada.
 - Para permitir un ajuste preciso según tus preferencias, puedes usar un destornillador con la forma de la cabeza correspondiente — o la barra incluida — para girar el tornillo de ajuste de fricción.
1. Empuja hacia delante ambas palancas de empuje hasta sus valores máximos y después accede al tornillo de ajuste de fricción de la parte trasera del TCA Quadrant Airbus Edition.



2. Para aumentar la fricción, gira el tornillo de ajuste de fricción en el sentido de las agujas del reloj.



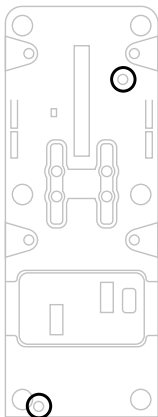
3. Para reducir la fricción, gira el tornillo de ajuste de fricción en sentido contrario al de las agujas del reloj.



- Para evitar dañar el sistema de fricción, ten cuidado de no apretar en exceso el tornillo de ajuste: deja de girar el tornillo cuando sientas resistencia.
- Nunca aflojes por completo el tornillo de ajuste, para evitar que el tornillo se caiga dentro del cuerpo del TCA Quadrant Airbus Edition.

CÓMO FIJAR EL CUADRANTE DE ACELERACIÓN TCA QUADRANT AIRBUS EDITION A UNA CABINA U OTRA SUPERFICIE FIJA

Puedes usar las dos perforaciones situadas en la cara inferior del TCA Quadrant Airbus Edition para unirlo a una cabina u otra superficie fija, usando tornillos M6 (no incluidos).



CONEXIÓN DEL SISTEMA DE TIMÓN TFRP* AL CUADRANTE DE ACELERACIÓN TCA QUADRANT AIRBUS EDITION

* Se vende por separado

El cuadrante de aceleración TCA Quadrant Airbus Edition tiene 7 ejes, estando 3 de ellos reservados para el sistema de timón TFRP.

El sistema de timón TFRP se conecta directamente al cuadrante de aceleración TCA Quadrant Airbus Edition.

1. Conecta el conector macho RJ12 del sistema de timón TFRP al conector hembra RJ12 situado en la parte trasera del cuadrante de aceleración TCA Quadrant Airbus Edition.
2. Conecta la clavija USB del cuadrante de aceleración TCA Quadrant Airbus Edition a uno de los puertos USB del PC.

Notas importantes relacionadas con la calibración automática de ejes:

- Deja siempre centrado el eje del timón al conectar el sistema de timón TFRP al cuadrante de aceleración TCA Quadrant Airbus Edition: no pongas nunca los pies sobre los pedales del sistema de timón TFRP al hacer la conexión.
- Los 3 ejes de los pedales se calibran automáticamente tras unos instantes y después de haber alcanzado los topes físicos del eje del timón y de los 2 ejes de freno diferencial.

SOFTWARE DE PROGRAMACIÓN AVANZADA T.A.R.G.E.T (Thrustmaster Advanced pRogramming Graphical EdiTor)

Visita <https://support.thrustmaster.com>. Haz clic en **Joysticks / TCA Quadrant Airbus Edition**, y después selecciona **Software**. Descarga e instala el software de programación avanzada T.A.R.G.E.T.

Características principales de T.A.R.G.E.T:

- Distintas configuraciones posibles para los ejes.
- Distintos niveles de programación posibles: Basic, Advanced y Script.
- Utiliza el principio de Arrastrar y Soltar.
- Capacidad de combinar el cuadrante de aceleración TCA Quadrant Airbus Edition con otros joysticks de Thrustmaster (Hotas Cougar, Hotas Warthog, T.16000M, MFD Cougar Pack, todos los cuales también son compatibles con T.A.R.G.E.T.), de modo que se reconocen como un único dispositivo USB.
- Acceso a perfiles avanzados creados por la comunidad de Thrustmaster.



RESOLUCIÓN DE PROBLEMAS Y ADVERTENCIAS

- **Mi cuadrante de aceleración TCA Quadrant Airbus Edition no funciona correctamente o parece no estar bien calibrado.**
 - Apaga el PC y desconecta la clavija USB del cuadrante de aceleración TCA Quadrant Airbus Edition. A continuación vuelve a conectar la clavija USB, enciende el PC de nuevo y reinicia el juego.
 - Al conectar la clavija USB del cuadrante de aceleración TCA Quadrant Airbus Edition, deja siempre centrado el eje del timón si estás usando el sistema de timón TFRP (vendido por separado): no pongas nunca los pies sobre los pedales del sistema de timón TFRP al hacer la conexión.
- **No puedo configurar mi cuadrante de aceleración TCA Quadrant Airbus Edition.**
 - En el menú Opciones / Mando / Gamepad o Joystick del juego, selecciona la configuración apropiada o vuelve a configurar por completo las opciones del controlador.
 - Para más información, consulta el manual del usuario o la ayuda en línea del juego.
 - Usa el software de programación avanzada T.A.R.G.E.T (Thrustmaster Advanced pRogramming Graphical EdiTor).
- **Mi cuadrante de aceleración TCA Quadrant Airbus Edition es demasiado sensible o no lo bastante sensible.**
 - Los ejes del cuadrante de aceleración TCA Quadrant Airbus Edition se calibran automáticamente después de algunos movimientos y tras haber alcanzado los toques físicos de los ejes.
 - En el menú Opciones / Mando / Gamepad o Joystick del juego, ajusta la sensibilidad y las zonas muertas del controlador (si esas opciones están disponibles).
 - Usa el software de programación avanzada T.A.R.G.E.T (Thrustmaster Advanced pRogramming Graphical EdiTor).



Este dispositivo está pensado para ser usado únicamente para fines de entretenimiento con juegos. Está estrictamente prohibido usar este dispositivo para actividades de entrenamiento profesional.

INFORMACIÓN DE GARANTÍA AL CONSUMIDOR

En todo el mundo, Guillemot Corporation S.A., cuyo domicilio legal se encuentra en Place du Granier, B.P. 97143, 35571 Chantepie, Francia (en lo sucesivo "Guillemot") garantiza al consumidor que este producto de Thrustmaster estará libre de defectos de materiales y mano de obra, durante un período de garantía que corresponde al límite de tiempo para interponer una acción legal referida a la conformidad en relación con este producto. En los países de la Unión Europea, esto corresponde a un período de dos (2) años a partir de la entrega del producto de Thrustmaster. En otros países, el período de garantía corresponde al límite de tiempo para interponer una acción legal referida a la conformidad en relación con este producto de Thrustmaster según las leyes aplicables del país en el que el consumidor estuviese domiciliado en la fecha de compra del producto de Thrustmaster (si no existiese una acción similar en el país correspondiente, entonces el período de garantía será de un (1) año a partir de la fecha de compra original del producto de Thrustmaster).

Si el producto resultase defectuoso durante el período de garantía, hay que ponerse en contacto inmediatamente con el Soporte Técnico, que indicará el procedimiento a seguir. Si se confirma el defecto, el producto debe devolverse a su lugar de compra (o a cualquier otra ubicación indicada por el Soporte Técnico).

Dentro del contexto de esta garantía, el producto defectuoso del consumidor será sustituido o restaurado su funcionamiento correcto. Si, durante el período de garantía, el producto de Thrustmaster fuese sometido a dicho reacondicionamiento, cualquier período de cómo mínimo siete (7) días durante el que el producto no se pueda usar se añadirá al período de garantía restante (este período va desde la fecha de petición de intervención del consumidor o desde la fecha en la que el producto se entrega para el reacondicionamiento, si la fecha en la que el producto se entrega para el reacondicionamiento fuese posterior a la fecha de la petición de intervención). Si la ley aplicable lo permite, toda la responsabilidad de Guillemot y sus filiales (incluso por daños resultantes) se limita a la restauración del funcionamiento correcto o la sustitución del producto de Thrustmaster. Si la ley aplicable lo permite, Guillemot renuncia a todas las garantías de comerciabilidad o adecuación para un propósito determinado.

Esta garantía no se aplicará: (1) si el producto ha sido modificado, abierto, alterado o ha sufrido daños como resultado de un uso inapropiado o abuso, negligencia, accidente, desgaste normal, o cualquier otra causa no relacionada con un defecto de materiales o fabricación (incluyendo, pero no de forma exclusiva, la combinación del producto de Thrustmaster con cualquier elemento no adecuado, incluyendo en particular fuentes de alimentación, baterías recargables, cargadores o cualquier otro elemento no suministrado por Guillemot para este producto); (2) si el producto se ha empleado para otro uso distinto del doméstico, incluyendo fines profesionales o comerciales (salones de juego, entrenamiento, competiciones, por ejemplo); (3) en caso de incumplimiento de las instrucciones proporcionadas por el Soporte Técnico; (4) a software, es decir software sujeto a una garantía específica; (5) a consumibles (elementos que se tienen que reemplazar a lo largo de la vida del producto: por ejemplo, baterías desechables o almohadillas para auriculares de audio); (6) a accesorios (por ejemplo, cables, cajas, bolsas, bolsos o muñequeras); (7) si el producto se ha vendido en una subasta pública.

Esta garantía no es transferible.

Los derechos legales del consumidor en relación con las leyes aplicables a la venta de productos de consumo de su país no se ven afectados por esta garantía.

Provisiones de garantía adicionales

Durante el período de garantía, Guillemot no proporcionará, en principio, ninguna pieza de repuesto, ya que el Soporte Técnico es el único autorizado para abrir y/o reacondicionar los productos de Thrustmaster (con la excepción de los procedimientos de reacondicionamiento que el Soporte técnico puede solicitar que lleve a cabo el consumidor, mediante instrucciones por escrito – por ejemplo, debido a la simplicidad y la falta de confidencialidad del proceso de reacondicionamiento – y suministrando al consumidor las piezas de repuesto necesarias, si hiciese falta).

Debido a sus ciclos de innovación y para proteger su know-how y secretos comerciales, Guillemot no proporcionará, en principio, ninguna pieza de repuesto ni instrucciones de reacondicionamiento para los productos de Thrustmaster cuyo período de garantía haya vencido.

En los Estados Unidos de América y en Canadá, esta garantía está limitada al mecanismo interno del producto y al alojamiento externo. En ningún caso, Guillemot ni sus filiales serán responsables ante terceros por daños resultantes o fortuitos resultado del incumplimiento de cualquier garantía expresa o implícita. En algunos estados o provincias no se permite la limitación de la duración de una garantía implícita ni la exclusión o limitación de responsabilidad por daños resultantes o fortuitos, por lo que las limitaciones o exclusiones anteriores pueden no ser aplicables. Esta garantía ofrece derechos legales específicos al consumidor, que también puede tener otros derechos que pueden variar de un estado a otro o de una provincia a otra.

Responsabilidad

Si la ley aplicable lo permite, Guillemot Corporation S.A. (en lo sucesivo "Guillemot") y sus filiales renuncian a toda responsabilidad por los daños causados por uno o más de los siguientes motivos: (1) el producto ha sido modificado, abierto o alterado; (2) incumplimiento de las instrucciones de montaje; (3) uso inapropiado o abuso, negligencia, accidente (un impacto, por ejemplo); (4) desgaste normal; (5) el producto se ha empleado para otro uso distinto del doméstico, incluyendo fines profesionales o comerciales (salones de juego, entrenamiento, competiciones, por ejemplo). Si la ley aplicable lo permite, Guillemot y sus filiales renuncian a toda responsabilidad por los daños no relacionados con defectos de materiales o fabricación en relación con el producto (incluyendo, pero no de forma exclusiva, los daños causados de forma directa o indirecta por cualquier software, o por combinar el producto de Thrustmaster con cualquier elemento no adecuado, incluyendo en particular fuentes de alimentación, baterías recargables, cargadores o cualquier otro elemento no suministrado por Guillemot para este producto).

THRUSTMASTER®

SOPORTE TÉCNICO

<https://support.thrustmaster.com>



DECLARACIÓN DE CONFORMIDAD

NOTICIA DE CONFORMIDAD EN USA: este dispositivo cumple con los límites para dispositivos de computación de Clase B de acuerdo con la Parte 15 de las reglas FCC.

COPYRIGHT

© 2020 Guillemot Corporation S.A. Todos los derechos reservados. Thrustmaster® es una marca registrada de Guillemot Corporation S.A.

AIRBUS, su logotipo y las marcas de producto y servicio son marcas comerciales registradas de Airbus. Todos los derechos reservados.

© Airbus 2020. Todos los derechos reservados. Con licencia oficial de Airbus.

Todas las demás marcas son propiedad de sus respectivos dueños. Ilustraciones no definitivas. El contenido, la concepción y las especificaciones son susceptibles de cambiar sin previo aviso y varían según el país. Fabricado en China.

RECOMENDACIÓN DE PROTECCIÓN AMBIENTAL



* En la Unión Europea: Al terminar su vida útil, este producto no debe tirarse en un contenedor de basuras estándar, sino que debe dejarse en un punto de recogida de desechos eléctricos y equipamiento electrónico para ser reciclado.

Esto viene confirmado por el símbolo que se encuentra en el producto, manual del usuario o embalaje.

Dependiendo de sus características, los materiales pueden reciclarse. Mediante el reciclaje y otras formas de procesamiento de los desechos eléctricos y el equipamiento electrónico puedes contribuir de forma significativa a ayudar a proteger el medio ambiente.

Contacta con las autoridades locales para más información sobre el punto de recogida más cercano.

Para los demás países: cumpla las leyes locales sobre reciclaje de equipos eléctricos y electrónicos.

Esta información debe conservarse. Los colores y motivos decorativos pueden variar.

Los adhesivos y los cierres de plástico se deben quitar del producto antes de utilizarlo.

Este producto cumple con todas las normas relativas a los niños de más de 14 años. No es recomendable para niños de menos de 14 años.

www.thrustmaster.com

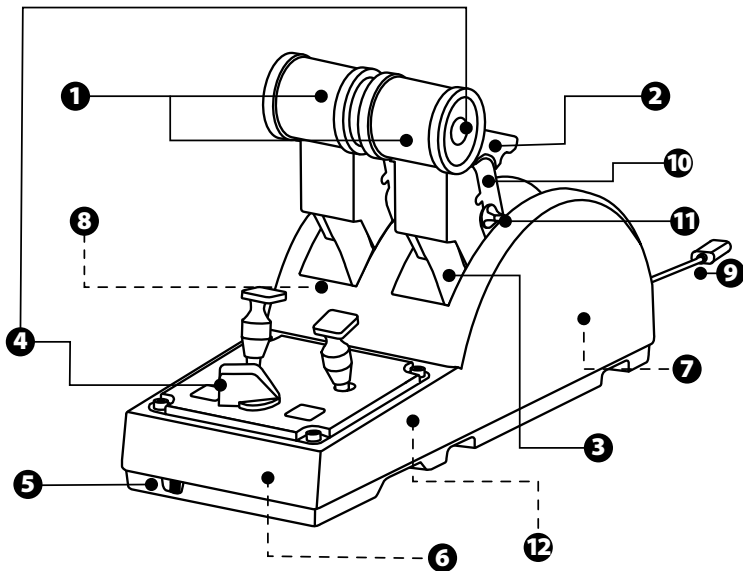
**Aplicable únicamente a la UE y Turquía*

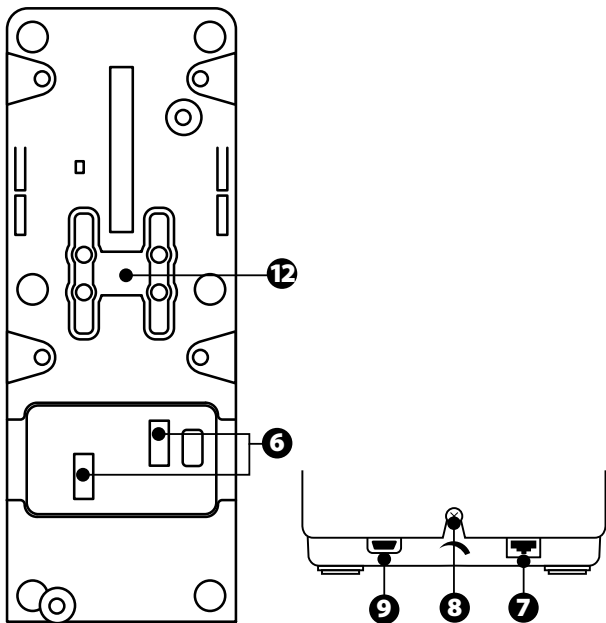


TCA QUADRANT AIRBUS EDITION

Manual do utilizador

CARACTERÍSTICAS TÉCNICAS





1. Eixos X e Y da alavanca de potência
2. Mecanismo inversor de impulso em cada eixo
3. 4 detentores por eixo – 4 botões virtuais por eixo
4. 8 botões de ações
5. Seletor dos motores 1/2 ou 3/4
6. Conectores SATA para módulos TCA Quadrant Add-On Airbus Edition externos (suplemento vendido à parte)
7. Conector para o sistema de leme de direção TFRP (vendido à parte)
8. Parafuso de ajuste da fricção
9. Conector USB (tipo B)
10. Posição da barra transversal
11. Mecanismo para ativar/desativar o inversor de impulso em cada eixo
12. Mecanismo para ativar/desativar os detentores em cada eixo

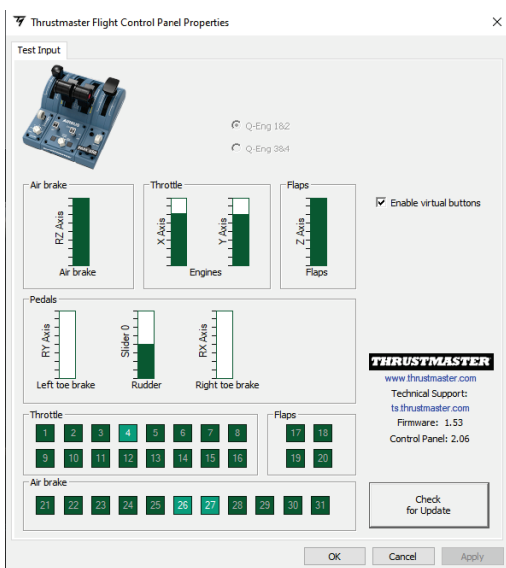
INSTALAÇÃO NO PC

1. Visite <https://support.thrustmaster.com/>. Clique em **Joysticks / TCA Quadrant Airbus Edition** e seleccione **Controladores**. Transfira e instale o controlador para PC e a respetiva interface personalizada para o Painel de Controlo do Windows.
2. Quando o controlador para PC estiver instalado, ligue o conector USB a uma das portas USB do PC.
3. Para aceder ao Painel de Controlo, clique em **Iniciar / Aplicações / Thrustmaster / Painel de Controlo** (no Windows® 10 / 8.1 / 8).

É apresentada a caixa de diálogo **Controladores de jogos**.

O acessório é indicado com o nome **TCA Q-Eng 1&2** (ou **TCA Q-Eng 3&4**, consoante a posição do seletor dos motores [5]), juntamente com o estado **OK**.

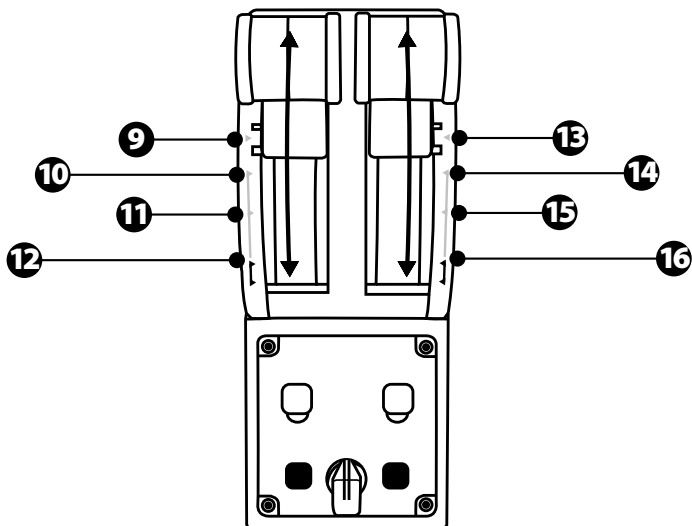
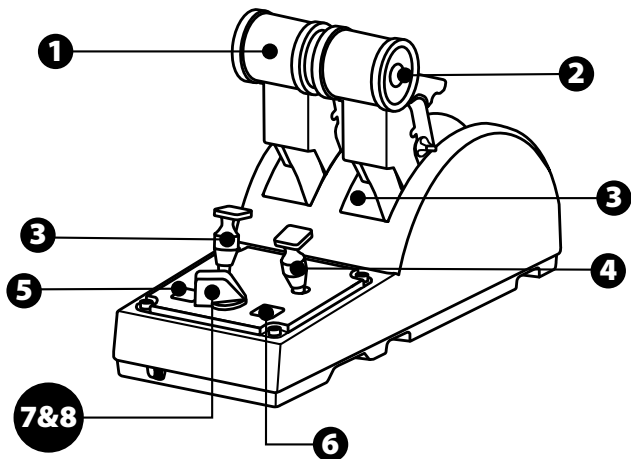
4. Na caixa de diálogo **Controladores de jogos**, clique em **Propriedades** para testar e ver todas as funcionalidades.

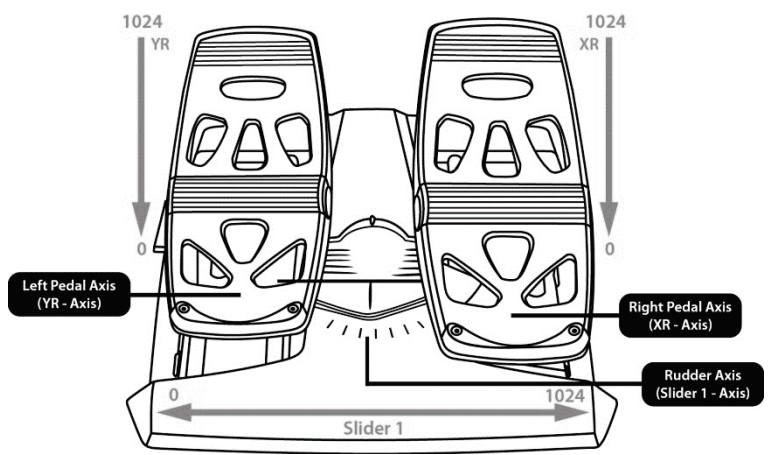
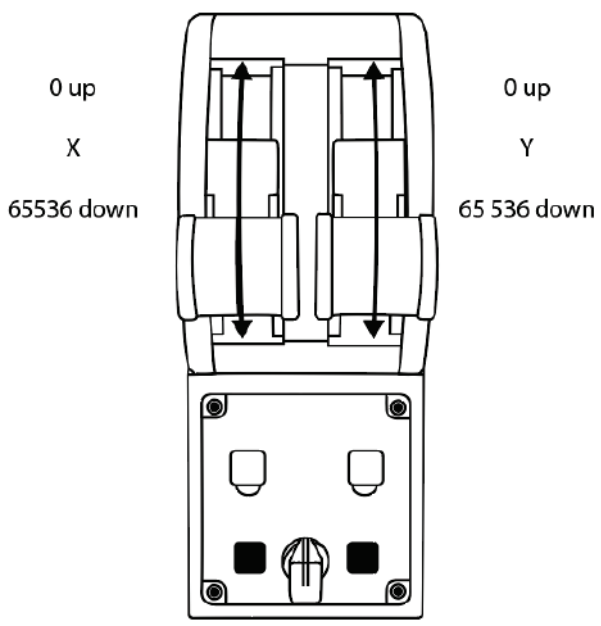


Enable virtual buttons (Ativar botões virtuais) : esta funcionalidade permite-lhe ativar ou desativar os botões virtuais nos eixos da alavanca de potência. Clique em **Apply** (Aplicar) assim que tiver seleccionado o modo pretendido.

Está agora pronto para começar a jogar!

MAPEAMENTO DOS 16 BOTÕES E 2 EIXOS



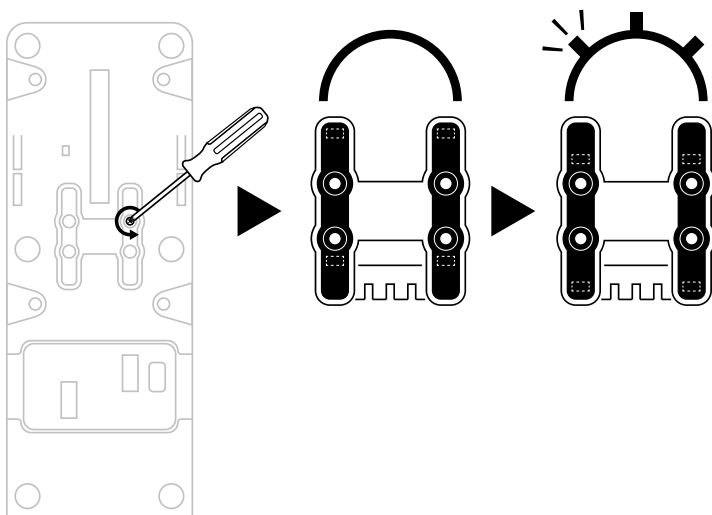


FAZER ALTERAÇÕES NOS EIXOS DO QUADRANTE DE POTÊNCIA TCA QUADRANT AIRBUS EDITION

O quadrante de potência TCA Quadrant Airbus Edition possui seletores mecânicos que lhe possibilitam desativar os detentores/entalhes em cada eixo. Isso permite-lhe dispor de eixos lineares, ao mesmo tempo que mantém os botões virtuais 9 a 16.

Graças a esta opção, pode alterar as sensações de pilotagem de acordo com o tipo de aeronave utilizada na sua simulação (avião comercial ou avião civil).

1. Vire o TCA Quadrant Airbus Edition ao contrário e desaperte os dois parafusos de cada um dos seletores utilizando uma chave de fendas com a forma de ponta correspondente.
2. Troque a posição dos seletores utilizando os indicadores como guia: isto permite-lhe escolher um eixo linear ou um eixo com detentores/entalhes para cada eixo do quadrante de potência TCA Quadrant Airbus Edition.

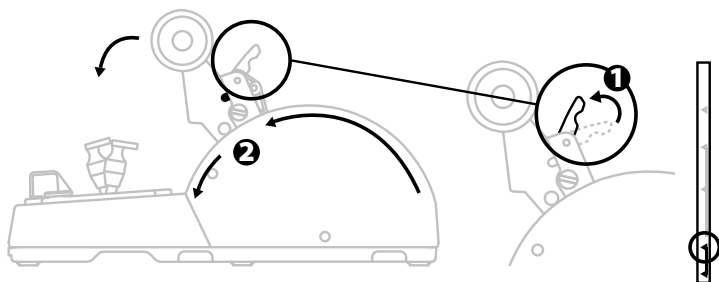


DESATIVAR OS INVERSORES DE IMPULSO NO QUADRANTE DE POTÊNCIA TCA QUADRANT AIRBUS EDITION

O quadrante de potência TCA Quadrant Airbus Edition possui inversores de impulso funcionais, replicando os existentes nas alavancas de potência dos aviões comerciais Airbus. Pode desativar o mecanismo inversor de impulso, para uma pilotagem mais adequada à aviação civil.

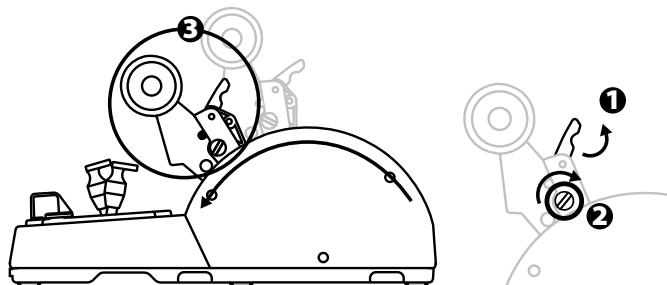
Modo de avião de passageiros comercial:

1. Ao atingir o batente, levante o mecanismo inversor de impulso.
2. Para poder utilizar o inversor de impulso, passe para lá o batente.

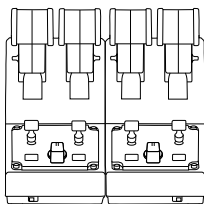


Modo de aviação geral e civil:

1. Levante o mecanismo inversor de impulso.
2. Ajuste o seletor para a posição 0 para desativar o mecanismo inversor de impulso.
3. A alavanca de impulso pode agora mover-se em todo o eixo.

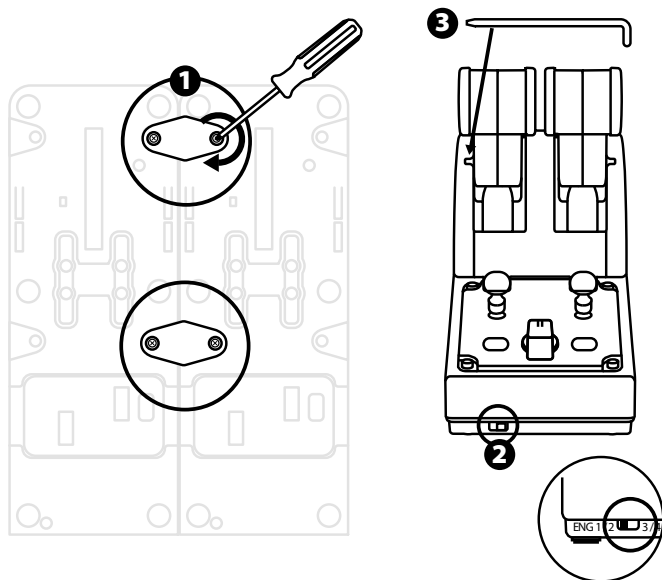


LIGAR DOIS QUADRANTES DE POTÊNCIA TCA QUADRANT AIRBUS EDITION

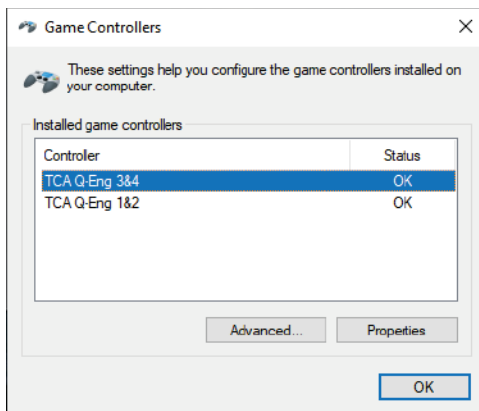


Pode ligar um segundo quadrante de potência TCA Quadrant Airbus Edition (vendido à parte): desta forma, poderá utilizar 4 eixos no total, para simular um avião comercial quadrimotor, por exemplo.

1. Vire ambos os quadrantes de potência TCA Quadrant Airbus Edition ao contrário e aparafuse as duas peças de fixação incluídas com o TCA Quadrant Airbus Edition para unir os dois dispositivos.
2. No segundo quadrante de potência, ajuste fisicamente o seletor para 3/4 a fim de associar os motores 3 e 4 ao segundo quadrante de potência (no Painel de Controlo no PC).
3. Ligue os eixos em conjunto por pares (1/2 e 3/4), para facilitar movê-los em simultâneo, utilizando a barra transversal incluída com cada TCA Quadrant Airbus Edition.

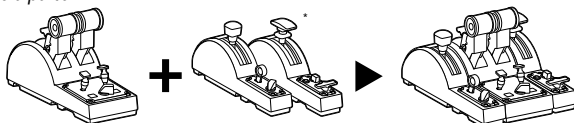


4. Quando ambos os dispositivos estiverem ligados ao PC via USB, serão apresentados independentemente na caixa de diálogo **Controladores de jogos**:



LIGAR O QUADRANTE DE POTÊNCIA TCA QUADRANT AIRBUS EDITION AO TCA QUADRANT ADD-ON AIRBUS EDITION*

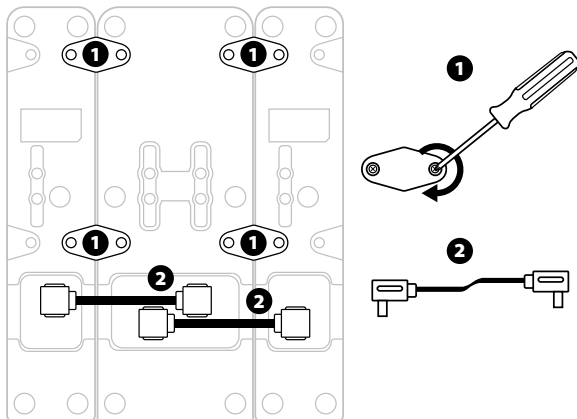
* Vendido à parte



O quadrante de potência TCA Quadrant Airbus Edition permite-lhe ligar os módulos TCA Quadrant Add-On Airbus Edition adicionais (vendidos à parte) de ambos os lados do TCA Quadrant Airbus Edition.

Esta modularidade adiciona novos eixos e botões de ações e permite-lhe expandir as cinemáticas de decolagem, voo e aterragem do quadrante de potência TCA Quadrant Airbus Edition.

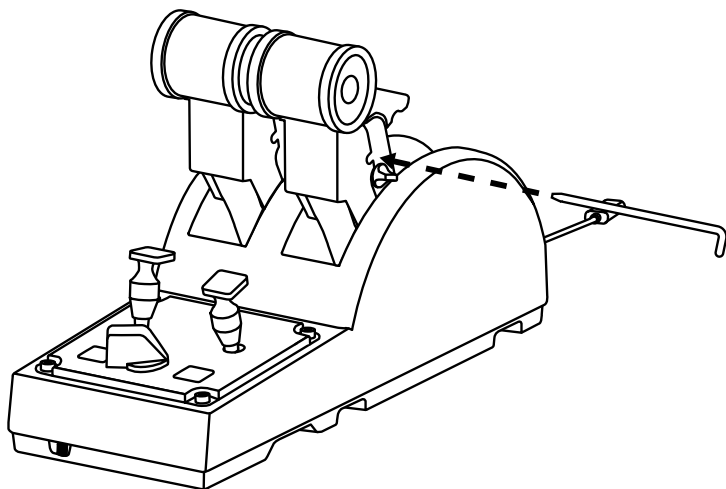
1. Vire o quadrante de potência TCA Quadrant Airbus Edition e os dois módulos TCA Quadrant Add-On Airbus Edition adicionais ao contrário e (utilizando uma chave de fendas com a forma de ponta correspondente) aparafuseas quatro peças de fixação incluídas com o quadrante de potência TCA Quadrant Airbus Edition e o TCA Quadrant Add-On Airbus Edition, unindo os três dispositivos em conjunto: o módulo Freios aerodinâmicos à esquerda do TCA Quadrant Airbus Edition e o módulo Flaps à direita.
2. Ligue os cabos SATA incluídos com o TCA Quadrant Add-On Airbus Edition aos conectores SATA no TCA Quadrant Airbus Edition.



- Para evitar danificar os produtos, utilize uma chave de fendas com a forma de ponta correspondente para apertar/desapertar os parafusos.
- Utilize apenas os cabos oficiais fornecidos pela Thrustmaster.

FIXAR/SEPARAR AS DUAS ALAVANCAS DE POTÊNCIA

Utilize a barra transversal incluída com o quadrante de potência TCA Quadrant Airbus Edition para unir as duas alavancas de potência.



EN

FR

DE

NL

IT

ES

PT

RU

CS

TR

PL

日本語

繁體中文

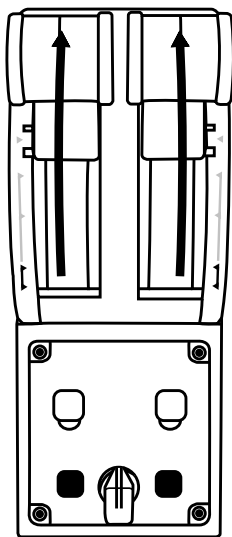
한국어

العربية

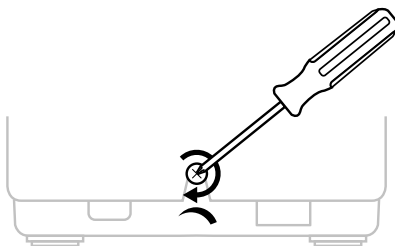
AJUSTAR A FRICÇÃO

NOTAS IMPORTANTES:

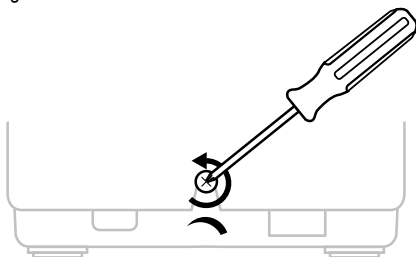
- A fricção das duas alavancas de potência está predefinida para 50%.
 - De modo a permitir o ajuste preciso de acordo com as suas preferências, pode utilizar uma chave de fendas com a forma de ponta correspondente – ou a barra transversal incluída – para rodar o parafuso de ajuste da fricção.
1. Pressione ambas as alavancas de potência para a frente até aos respetivos valores máximos e, em seguida, aceda ao parafuso de ajuste da fricção na parte posterior do TCA Quadrant Airbus Edition.



2. Para aumentar a fricção, rode o parafuso de ajuste da fricção no sentido dos ponteiros do relógio.



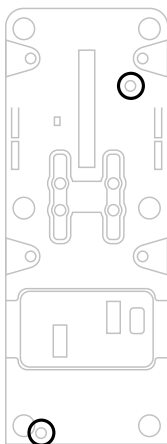
3. Para diminuir a fricção, rode o parafuso de ajuste da fricção no sentido contrário ao dos ponteiros do relógio.



- Para evitar danificar o sistema de fricção, tenha cuidado para não apertar demasiado o parafuso de ajuste: pare de rodar o parafuso quando sentir resistência.
- Nunca desaperte completamente o parafuso de ajuste, para evitar que este caia dentro do corpo do TCA Quadrant Airbus Edition.

FIXAR O QUADRANTE DE POTÊNCIA TCA QUADRANT AIRBUS EDITION A UM COCKPIT OU OUTRA SUPERFÍCIE ESTACIONÁRIA

Pode utilizar as duas furações situadas na parte inferior do TCA Quadrant Airbus Edition para fixá-lo a um cockpit ou outra superfície estacionária utilizando parafusos M6 (não incluídos).



LIGAR O SISTEMA DE LEME DE DIREÇÃO TFRP* AO QUADRANTE DE POTÊNCIA TCA QUADRANT AIRBUS EDITION

* Vendido à parte

O quadrante de potência TCA Quadrant Airbus Edition tem 7 eixos, 3 dos quais estão reservados para o sistema de leme de direção TFRP.

O sistema de leme de direção TFRP é ligado diretamente ao quadrante de potência TCA Quadrant Airbus Edition.

1. Ligue o conector RJ12 macho do sistema de leme de direção TFRP ao conector RJ12 fêmea situado na parte posterior do quadrante de potência TCA Quadrant Airbus Edition.
2. Ligue o conector USB do quadrante de potência TCA Quadrant Airbus Edition a uma das portas USB no PC.

Notas importantes relativamente à calibragem automática dos eixos:

- Deixe sempre o eixo do leme de direção centrado ao ligar o sistema de leme de direção TFRP ao quadrante de potência TCA Quadrant Airbus Edition: nunca ponha os pés nos pedais do sistema de leme de direção TFRP ao fazê-lo.
- Os 3 eixos dos pedais autocalibram-se após alguns movimentos e depois de atingirem os batentes físicos do eixo do leme de direção e dos 2 eixos dos travões diferenciais.

SOFTWARE DE PROGRAMAÇÃO AVANÇADA T.A.R.G.E.T (Thrustmaster Advanced pRogramming Graphical EdiTor)

Visite <https://support.thrustmaster.com>. Clique em **Joysticks / TCA Quadrant Airbus Edition** e em seguida seleccione **Software**. Transfira e instale o software de programação avançada T.A.R.G.E.T.

Principais características do software T.A.R.G.E.T:

- Diferentes configurações possíveis dos eixos.
- Diferentes níveis de programação possíveis: Basic, Advanced e Script.
- Utilização do princípio de arrastar e largar.
- Capacidade para combinar o quadrante de potência TCA Quadrant Airbus Edition com vários joysticks Thrustmaster (HOTAS Cougar, HOTAS Warthog, T.16000M, MFD Cougar Pack, os quais são todos compatíveis com o software T.A.R.G.E.T), permitindo-lhes serem reconhecidos como um único dispositivos USB.
- Acesso a perfis avançados criados pela comunidade Thrustmaster.



RESOLUÇÃO DE PROBLEMAS E ADVERTÊNCIA

- **O meu quadrante de potência TCA Quadrant Airbus Edition não funciona corretamente, ou parece estar calibrado incorretamente.**
 - Encerre o PC e desligue o conector USB do quadrante de potência TCA Quadrant Airbus Edition. Em seguida, volte a ligar o conector USB, ligue novamente o PC e reinicie o jogo.
 - Ao ligar o conector USB do quadrante de potência TCA Quadrant Airbus Edition, deixe sempre o eixo do leme de direção centrado se estiver a utilizar o sistema de leme de direção TFRP (vendido à parte): nunca ponha os pés nos pedais do sistema de leme de direção TFRP ao fazê-lo.
- **Não consigo configurar o meu quadrante de potência TCA Quadrant Airbus Edition.**
 - No menu Opções / Controlador / Gamepad ou Joystick do jogo: selecione a configuração adequada, ou reconfigure completamente as opções do controlador.
 - Para mais informações, consulte o manual do utilizador ou o utilitário de ajuda online do jogo.
 - Utilize o software de programação avançada T.A.R.G.E.T (Thrustmaster Advanced Programming Graphical Editor).
- **O meu quadrante de potência TCA Quadrant Airbus Edition é demasiado sensível, ou não é suficientemente sensível.**
 - Os eixos do quadrante de potência TCA Quadrant Airbus Edition autocalibram-se após alguns movimentos e depois de terem atingido os batentes físicos dos eixos.
 - No menu Opções / Controlador / Gamepad ou Joystick: ajuste a sensibilidade e as zonas mortas do controlador (se estas opções estiverem disponíveis).
 - Utilize o software de programação avançada T.A.R.G.E.T (Thrustmaster Advanced Programming Graphical Editor).



Este dispositivo destina-se a ser utilizado unicamente para fins de entretenimento com jogos. É estritamente proibido utilizar este dispositivo para atividades de formação profissional.

INFORMAÇÕES SOBRE A GARANTIA PARA O CONSUMIDOR

A Guillemot Corporation S.A., com sede social sita em Place du Granier, B.P. 97143, 35571 Chantepie, França (a seguir designada como "Guillemot") garante a nível mundial ao consumidor que este produto Thrustmaster está livre de defeitos em termos de materiais e fabrico durante um período de garantia que corresponde ao limite de tempo para intentar uma ação de conformidade relativamente a este produto. Nos países da União Europeia, isto corresponde a um período de dois (2) anos desde a entrega do produto Thrustmaster. Noutros países, o período de garantia corresponde ao limite de tempo para intentar uma ação de conformidade relativamente ao produto Thrustmaster de acordo com a legislação em vigor do país no qual o consumidor residia à data de compra do produto Thrustmaster (se a dita ação não existir no país correspondente, então o período de garantia será de um (1) ano a partir da data de compra original do produto Thrustmaster).

No caso de o produto apresentar algum defeito durante o período da garantia, contacte imediatamente o Suporte Técnico, que lhe indicará o procedimento a tomar. Se esse defeito se confirmar, o produto terá de ser devolvido ao respetivo local de compra (ou qualquer outro local indicado pelo Suporte Técnico).

No âmbito da presente garantia, e por opção do Suporte Técnico, o produto defeituoso do consumidor será substituído ou reparado. Se, durante o período da garantia, o produto Thrustmaster for submetido à dita reparação, qualquer período mínimo de (7) dias durante o qual o produto estiver fora de serviço será adicionado ao período da garantia restante (este período decorre desde a data do pedido intervenção pelo consumidor ou desde a data em que o produto em questão é disponibilizado para reparação, se a data em que o produto é disponibilizado para reparação for posterior à data do pedido de intervenção). Se for permitido pela legislação em vigor, a responsabilidade total da Guillemot e das respetivas filiais (incluindo para danos indiretos) está limitada à reparação ou à substituição do produto Thrustmaster. Se for permitido pela legislação em vigor, a Guillemot rejeita todas as garantias de comercialização ou adequação a um fim específico.

A presente garantia não se aplicará: (1) se o produto tiver sido modificado, aberto, alterado ou danificado em resultado de utilização inadequada ou abusiva, negligência, acidente, desgaste normal ou qualquer outra casa relacionada com um defeito de material ou fabrico (incluindo, mas sem limitação, combinar o produto Thrustmaster com qualquer elemento inadequado, incluindo, em particular, fontes de alimentação, baterias recarregáveis, carregadores ou quaisquer outros elementos não fornecidos pela Guillemot para este produto); (2) se o produto tiver sido utilizado fora do âmbito da utilização doméstica, incluindo para fins profissionais ou comerciais (salas de jogos, treino e competições, por exemplo); (3) na eventualidade de incumprimento das instruções fornecidas pelo Suporte Técnico; (4) a software, estando o mesmo sujeito a uma garantia específica; (5) a consumíveis (elementos para substituir ao longo da vida útil do produto: baterias descartáveis, auscultadores de áudio ou auriculares de auscultadores, por exemplo); (6) a acessórios (cabos, estojos, bolsas, sacos e correias de pulso, por exemplo); (7) se o produto foi vendido num leilão público.

A presente garantia não é transmissível.

Os direitos legais do consumidor no que concerne à legislação aplicável à venda de bens de consumo no seu país não são afetados pela presente garantia.

Disposições de garantia adicionais

Durante o período da garantia, a Guillemot não fornecerá, em princípio, quaisquer peças de substituição, uma vez que o Suporte Técnico é a única parte autorizada a abrir e/ou reparar qualquer produto Thrustmaster (à exceção de quaisquer procedimentos de reparação que o Suporte Técnico possa pedir ao consumidor para realizar, através de instruções por escrito – por exemplo, devido à simplicidade e à falta de confidencialidade do processo de reparação – e fornecendo ao consumidor a(s) peça(s) de substituição necessária(s), quando aplicável).

Tendo em conta os seus ciclos de inovação, e a fim de proteger o seu know-how e segredos comerciais, a Guillemot não fornecerá, em princípio, qualquer notificação de reparação ou peças de substituição para produtos Thrustmaster cujo período da garantia tenha expirado.

Nos Estados Unidos da América e no Canadá, a presente garantia está limitada ao mecanismo interno e à caixa do produto. Em nenhuma circunstância serão a Guillemot ou as respetivas filiais consideradas responsáveis perante terceiros por quaisquer danos indiretos ou acidentais resultantes da violação de quaisquer garantias expressas ou implícitas. Alguns estados/provincias não permitem a limitação da duração de uma garantia implícita ou a exclusão ou limitação de responsabilidade por danos indiretos ou acidentais, pelo que as limitações ou exclusões supracitadas podem não se aplicar a si. A presente garantia concede-lhe direitos legais específicos, podendo ter também outros direitos, que variam consoante o estado ou a província.

Responsabilidade

Se for permitido ao abrigo da legislação aplicável, a Guillemot Corporation S.A. (a seguir designada "Guillemot") e as respetivas filiais rejeitam qualquer responsabilidade por danos resultantes de uma ou mais das seguintes causas: (1) o produto foi modificado, aberto ou alterado; (2) incumprimento das instruções de montagem; (3) utilização inadequada ou abusiva, negligência ou acidente (um impacto, por exemplo); (4) desgaste normal; (5) utilização do produto fora do âmbito além da utilização doméstica, incluindo para fins profissionais ou comerciais (salas de jogos, treino e competições, por exemplo). Se for permitido ao abrigo da legislação aplicável, a Guillemot e as respetivas filiais rejeitam qualquer responsabilidade por danos relacionados com um defeito de material ou fabrico relativamente ao produto (incluindo, mas sem limitação, quaisquer danos causados direta ou indiretamente por qualquer software ou por combinar o produto Thrustmaster com qualquer elemento inadequado, incluindo, em particular, fontes de alimentação, baterias recarregáveis, carregadores ou quaisquer outros elementos não fornecidos pela Guillemot para este produto).

THRUSTMASTER®

SUORTE TÉCNICO

<https://support.thrustmaster.com>



DIREITOS DE AUTOR

© 2020 Guillemot Corporation S.A. Todos os direitos reservados. Thrustmaster® é uma marca registada da Guillemot Corporation S.A.

AIRBUS, o respetivo logótipo e as marcas de serviços são marcas registadas da Airbus. Todos os direitos reservados.

© Airbus 2020. Todos os direitos reservados. Licenciado oficialmente pela Airbus.

Todas as outras marcas comerciais são pertencem aos respectivos proprietários. As ilustrações não são vinculativas. Os conteúdos, desenhos e especificações estão sujeitos a alteração sem aviso prévio e podem variar de país para país. Fabricado na China.

RECOMENDAÇÕES DE PROTECÇÃO AMBIENTAL



Na União Europeia: Quando este produto chegar ao fim da sua vida útil, não o elimine juntamente com os resíduos domésticos normais; em vez disso, deixe-o num ponto de recolha de resíduos de equipamento eléctrico e electrónico (REEE) para posterior reciclagem.

O símbolo presente no produto, no manual de utilizador ou na caixa confirma-o.

Os materiais podem ser reciclados, dependendo das suas características. Através da reciclagem e de outras formas de processamento de resíduos de equipamento eléctrico e electrónico, pode dar um importante contributo no sentido de ajudar a proteger o ambiente.

Contacte as autoridades locais para saber onde fica o ponto de recolha mais perto da sua área de residência.

Relativamente a todos os outros países: Respeite a legislação local sobre a reciclagem de equipamento eléctrico e electrónico.

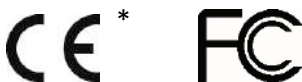
Informações a reter. As cores e as decorações podem variar.

Os fechos e os adesivos devem ser removidos do produto antes da utilização.

Este produto está em conformidade com as normas relativas às crianças com mais de 14 anos de idade. Não é recomendado às crianças com menos de 14 anos de idade.

www.thrustmaster.com

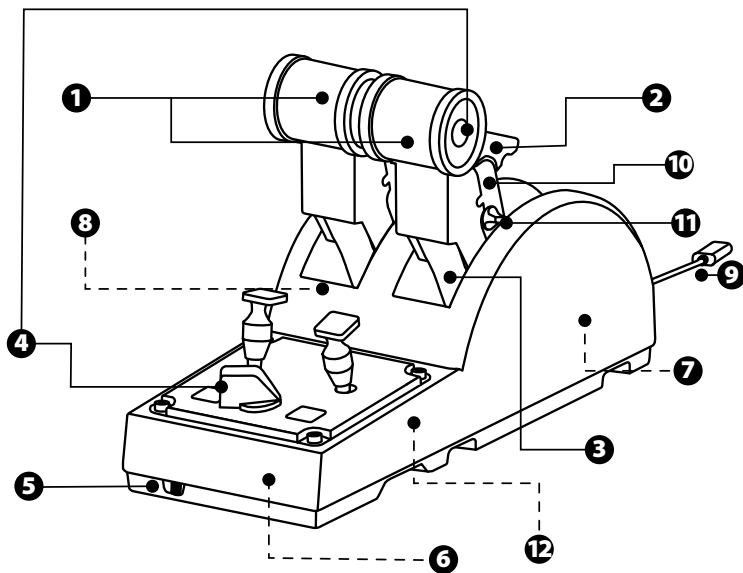
**Aplicável apenas à União Europeia e Turquia*

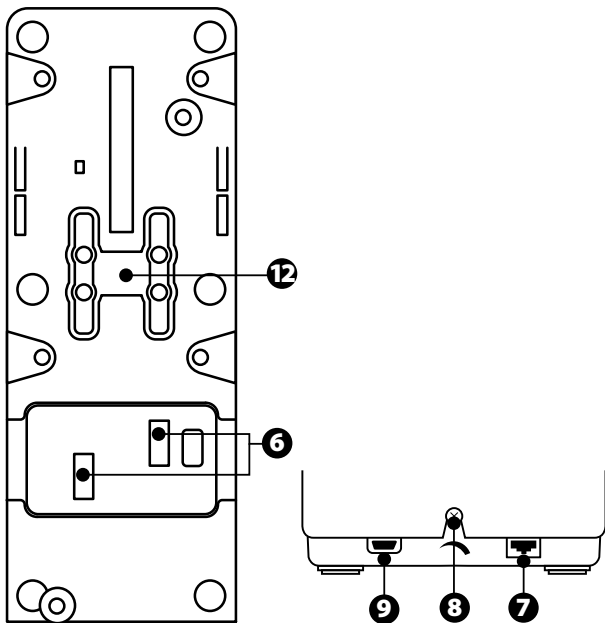


TCA QUADRANT AIRBUS EDITION

Руководство пользователя

ТЕХНИЧЕСКИЕ ХАРАКТЕРИСТИКИ





- | | |
|---|---|
| <ol style="list-style-type: none"> 1. Оси X и Y для рычага управления 2. Механизм реверса тяги на каждой оси 3. 4 фиксируемых положения для каждой оси — 4 виртуальные кнопки на ось 4. 8 командных кнопок 5. Переключатель для двигателей: 1/2 или 3/4 6. Разъемы SATA для подключения внешних модулей TCA Quadrant Add-On Airbus Edition (дополнительные модули продаются отдельно) | <ol style="list-style-type: none"> 7. Разъем для системы руля направления TFRP (продается отдельно) 8. Винт регулировки трения 9. USB-кабель (тип B) 10. Место установки поперечного стержня 11. Механизм для включения/отключения реверса тяги на каждой оси 12. Механизм для включения/отключения фиксируемых положений на каждой оси |
|---|---|

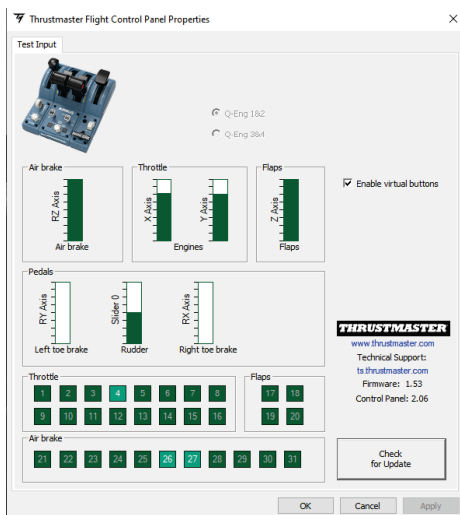
УСТАНОВКА НА ПК

1. Перейдите на веб-сайт <https://support.thrustmaster.com/ru>. Щелкните раздел **Джойстики**, затем щелкните **TCA Quadrant Airbus Edition** и выберите **Драйверы**. Загрузите и установите драйвер для ПК с его специальным интерфейсом для панели управления Windows.
2. После установки драйвера подключите USB-кабель устройства к USB-порту компьютера.
3. Для доступа к панели управления нажмите кнопку **Пуск/Приложения/Thrustmaster/Панель управления** (в Windows® 8, 8.1 и 10).

Откроется окно **Игровые устройства**.

В списке устройств подключенный аксессуар отображается как **TCA Q-Eng 1&2** (или **TCA Q-Eng 3&4**, в зависимости от положения переключателя для двигателей [5]), и для него будет указан статус **OK**.

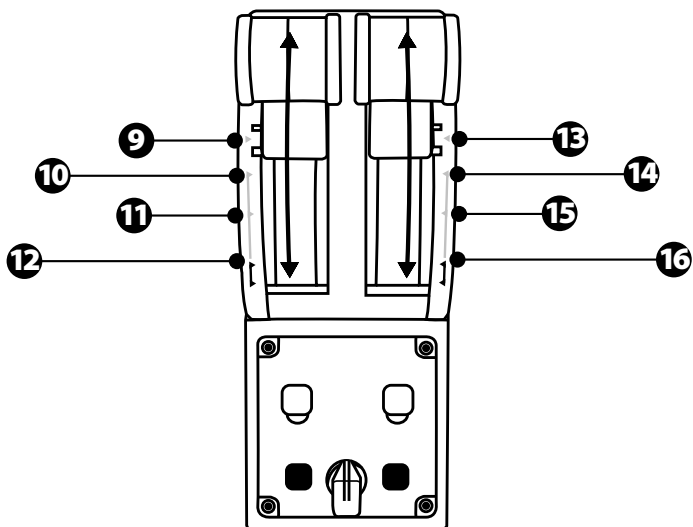
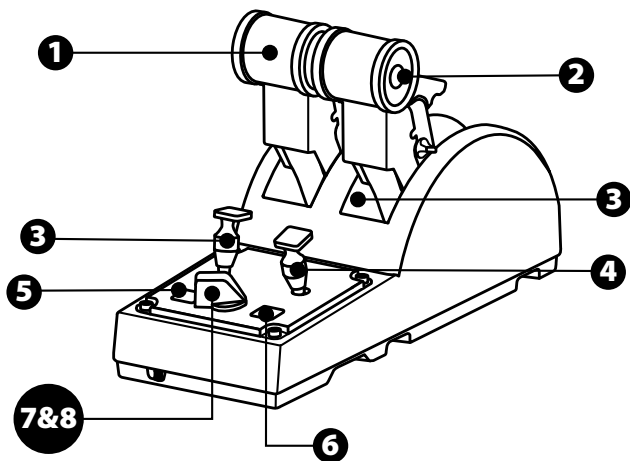
4. В окне **Игровые устройства** щелкните пункт **Свойства** для просмотра и проверки всех характеристик устройства.

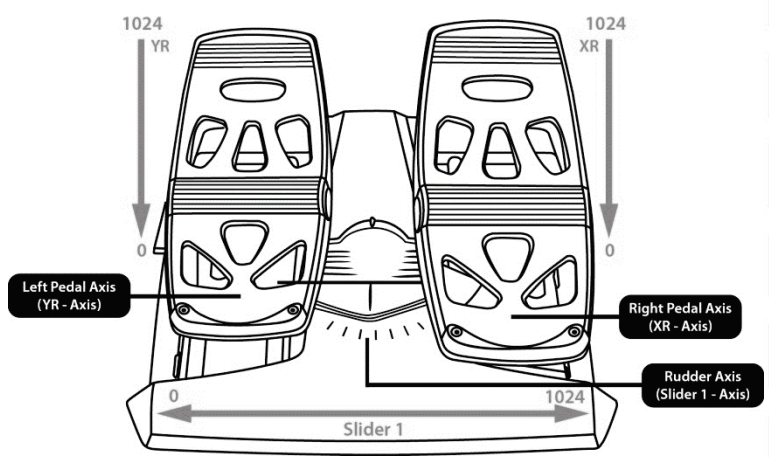
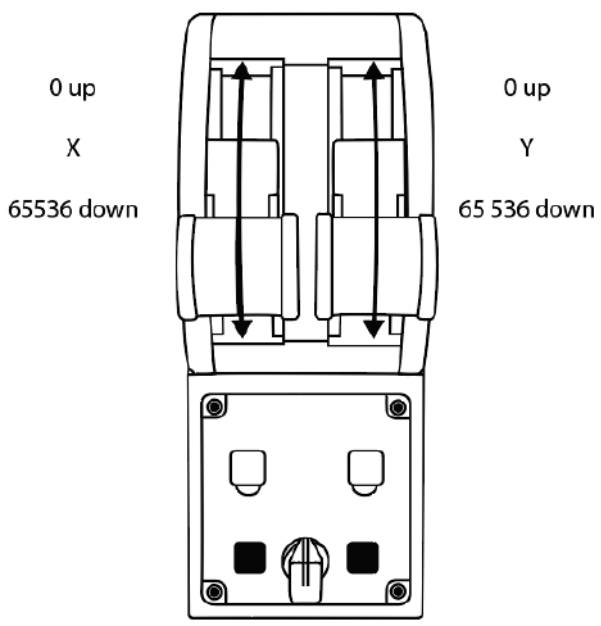


Enable virtual buttons (Включить виртуальные кнопки): этот параметр позволяет включать или отключать виртуальные кнопки на осях рычага управления. Нажмите **Apply** (Применить) после того, как выберете необходимый режим.

Теперь вы готовы к игре!

НАЗНАЧЕНИЯ ДЛЯ 16 КНОПОК И 2 ОСЕЙ



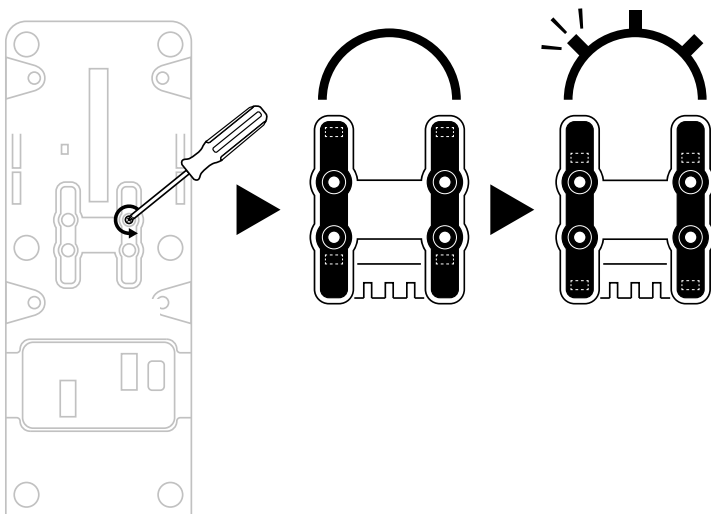


ИЗМЕНЕНИЕ ХАРАКТЕРИСТИК ОСЕЙ НА БЛОКЕ РЫЧАГОВ TCA QUADRANT AIRBUS EDITION

На блоке рычагов TCA Quadrant Airbus Edition имеются механические переключатели, позволяющие отключать фиксируемые положения/ступени на каждой оси. Благодаря этому вы можете задействовать ровные оси, при этом сохраняя виртуальные кнопки 9–16.

Такой вариант позволяет корректировать стиль пилотирования в зависимости от типа воздушного судна, используемого в игре (коммерческий или гражданский самолет).

1. Переверните блок TCA Quadrant Airbus Edition вверх дном и с помощью соответствующей отвертки открутите два винта для каждого переключателя.
2. Измените положение переключателей, используя указатели в качестве ориентира: это позволит выбрать либо ровную ось, либо ось с фиксируемыми положениями/ступенями для каждой оси на блоке рычагов TCA Quadrant Airbus Edition.

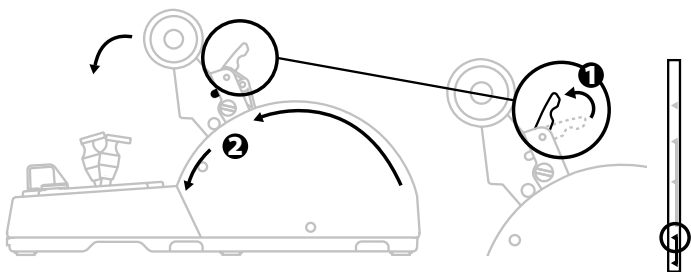


ОТКЛЮЧЕНИЕ РЕВЕРСОВ ТЯГИ НА БЛОКЕ РЫЧАГОВ TCA QUADRANT AIRBUS EDITION

Блок рычагов TCA Quadrant Airbus Edition оснащен функциональными реверсами тяги, которые точно повторяют оригинальные компоненты, установленные на рычагах управления коммерческих самолетов Airbus. Механизм реверса тяги можно отключить для использования стиля пилотирования, более подходящего для гражданской авиации.

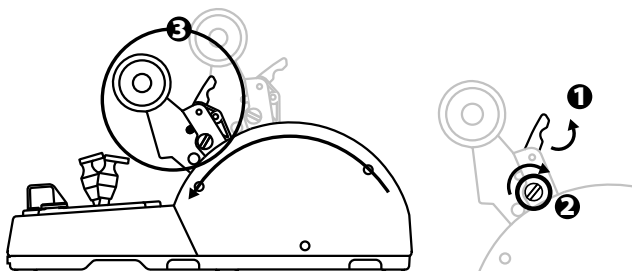
Режим коммерческого авиалайнера:

1. У ограничителя поднимите механизм реверса тяги.
2. Перемещение мимо ограничителя позволяет использовать реверс тяги.

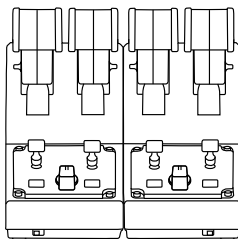


Общий режим и режим гражданской авиации:

1. Поднимите механизм реверса тяги.
2. Поверните переключатель в положение 0 для отключения механизма реверса тяги.
3. Теперь рычаг управления может перемещаться по всей оси.

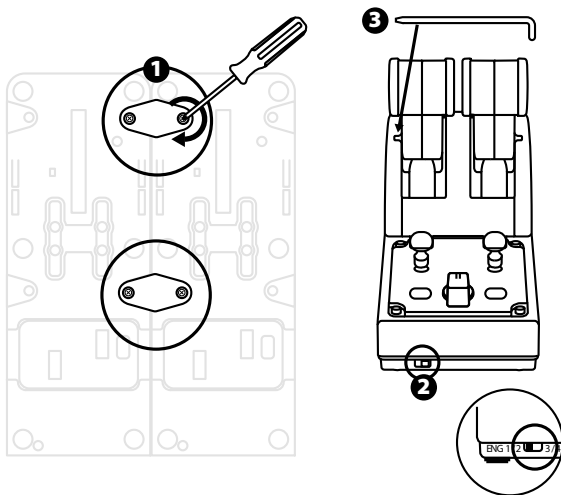


ПОДКЛЮЧЕНИЕ ДВУХ БЛОКОВ РЫЧАГОВ TCA QUADRANT AIRBUS EDITION

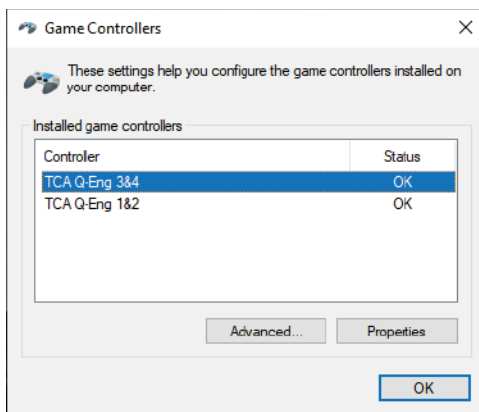


Вы можете подключить второй блок рычагов TCA Quadrant Airbus Edition (продается отдельно): это позволит в совокупности использовать 4 оси, например, для моделирования управления четырехмоторным коммерческим авиалайнером.

1. Переверните оба блока рычагов TCA Quadrant Airbus Edition вверх дном и с помощью винтов прикрутите два соединительных элемента, входящих в комплект блока TCA Quadrant Airbus Edition, чтобы прикрепить одно устройство к другому.
2. На втором блоке рычагов переместите переключатель в положение 3/4, чтобы сопоставить двигатели 3 и 4 со вторым блоком рычагов (на панели управления компьютера).
3. Чтобы упростить синхронное перемещение осей, соедините их попарно (1/2 и 3/4) с помощью поперечного стержня, входящего в комплект каждого блока TCA Quadrant Airbus Edition.

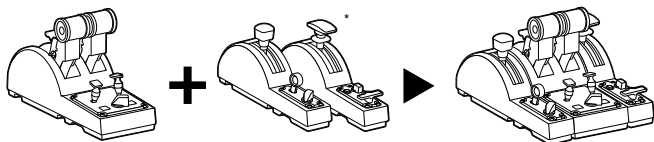


4. После подключения обоих блоков к USB-порту компьютера в окне **Игровые устройства** они отображаются как два независимых устройства:



ПОДКЛЮЧЕНИЕ БЛОКА РЫЧАГОВ TCA QUADRANT AIRBUS EDITION К МОДУЛЯМ TCA QUADRANT ADD-ON AIRBUS EDITION*

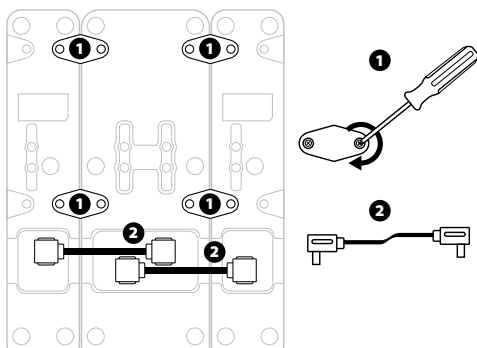
* Продаются отдельно



Для блока рычагов TCA Quadrant Airbus Edition предусмотрена возможность подключения дополнительных модулей TCA Quadrant Add-On Airbus Edition (продаются отдельно), устанавливаемых с обеих сторон блока TCA Quadrant Airbus Edition.

Такая модульная конструкция позволяет добавить новые оси и командные кнопки и расширить кинематику во время взлета, в полете и при посадке для блока TCA Quadrant Airbus Edition.

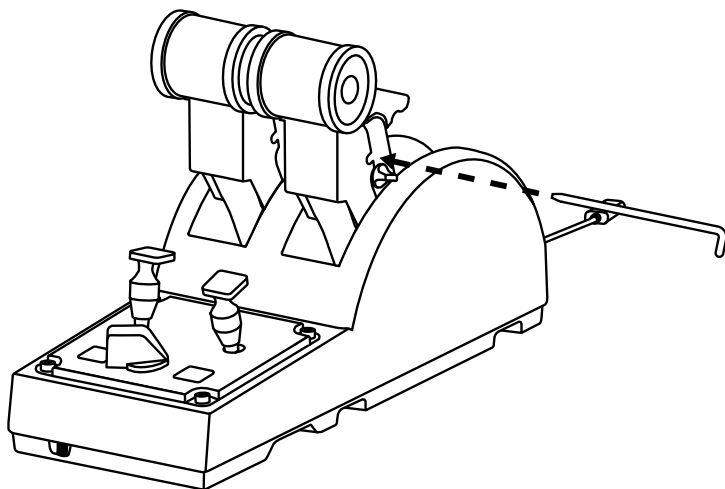
1. Переверните блок рычагов TCA Quadrant Airbus Edition и два дополнительных модуля TCA Quadrant Add-On Airbus Edition вверх дном и (используя соответствующую отвертку) с помощью винтов прикрутите четыре соединительных элемента, входящих в комплект блока рычагов TCA Quadrant Airbus Edition и модулей TCA Quadrant Add-On Airbus Edition, прикрепив друг к другу все три устройства: модуль воздушного тормоза следует установить с левой стороны блока TCA Quadrant Airbus Edition, а модуль закрылков — с правой.
2. Подключите кабели SATA, входящие в комплект модулей TCA Quadrant Add-On Airbus Edition, к разъемам SATA на блоке TCA Quadrant Airbus Edition.



- Во избежание повреждения устройств для закручивания или откручивания винтов используйте отвертку с соответствующим наконечником.
- Используйте только официальные кабели, поставляемые компанией Thrustmaster.

СОЕДИНЕНИЕ И РАЗЪЕДИНЕНИЕ ДВУХ РЫЧАГОВ УПРАВЛЕНИЯ

Для соединения двух рычагов управления используйте поперечный стержень, входящий в комплект блока рычагов TCA Quadrant Airbus Edition.



EN

FR

DE

NL

IT

ES

PT

RU

CS

TR

PL

日本語

繁體中文

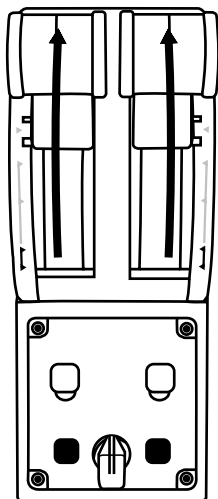
한국어

العربية

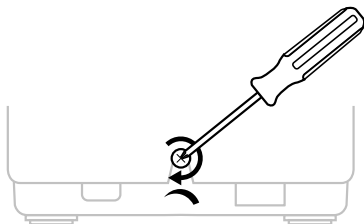
РЕГУЛИРОВКА ТРЕНИЯ

ВАЖНЫЕ ЗАМЕЧАНИЯ:

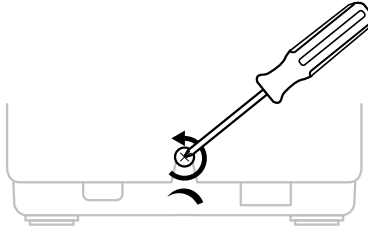
- По умолчанию значение трения для двух рычагов управления устанавливается как 50%.
 - Для точной настройки в соответствии с личными предпочтениями необходимо поворачивать винт регулировки трения — это можно сделать с помощью отвертки с соответствующим наконечником или поперечного стержня, входящего в комплект поставки.
1. Переместите оба рычага управления вперед до их максимальных значений, а затем вставьте отвертку (или поперечный стержень) в винт регулировки трения, расположенный на задней панели блока рычагов TCA Quadrant Airbus Edition.



2. Для увеличения трения поворачивайте винт по часовой стрелке.



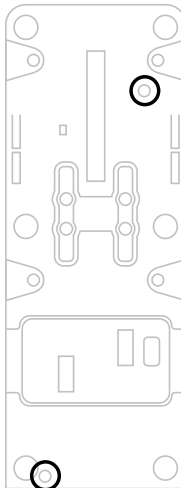
3. Для уменьшения трения поворачивайте винт против часовой стрелки.



- Чтобы не повредить систему трения, соблюдайте осторожность и не затягивайте винт регулировки слишком сильно: прекратите поворачивать его, как только почувствуете сопротивление.
- Не выкручивайте винт регулировки полностью, поскольку он может упасть вовнутрь блока TCA Quadrant Airbus Edition.

КРЕПЛЕНИЕ БЛОКА РЫЧАГОВ TCA QUADRANT AIRBUS EDITION В КАБИНЕ ИЛИ НА ДРУГОЙ НЕПОДВИЖНОЙ ПОВЕРХНОСТИ

Два отверстия в нижней части блока рычагов TCA Quadrant Airbus Edition можно использовать для его крепления в кабине или на другой неподвижной поверхности с помощью винтов М6 (в комплект не входят).



ПОДКЛЮЧЕНИЕ СИСТЕМЫ РУЛЯ НАПРАВЛЕНИЯ TFRP* К БЛОКУ РЫЧАГОВ TCA QUADRANT AIRBUS EDITION

* Продаются отдельно

В блоке рычагов TCA Quadrant Airbus Edition предусмотрены 7 осей, 3 из которых зарезервированы для системы руля направления TFRP.

Система TFRP подключается напрямую к блоку TCA Quadrant Airbus Edition.

1. Вставьте разъем RJ12 системы руля направления TFRP в гнездо RJ12, расположенное на задней панели блока рычагов TCA Quadrant Airbus Edition.
2. Подключите USB-кабель блока TCA Quadrant Airbus Edition к USB-порту компьютера.

Важная информация об автоматической калибровке осей:

- Всегда оставляйте ось руля направления выровненной по центру при подключении системы руля направления TFRP к блоку рычагов TCA Quadrant Airbus Edition: во время этой операции ни в коем случае не ставьте ноги на педали системы руля направления TFRP.
- 3 оси педалей автоматически калибруются после нескольких движений и после перемещения к физическим ограничителям для оси руля направления и 2 осей дифференциального тормоза.

РАСШИРЕННОЕ ПО ДЛЯ ПРОГРАММИРОВАНИЯ T.A.R.G.E.T (Thrustmaster Advanced pRogramming Graphical EdiTor)

Перейдите на веб-сайт <https://support.thrustmaster.com/ru>. Щелкните раздел **Джойстик и**, затем щелкните **TCA Quadrant Airbus Edition**, после чего выберите **Программное обеспечение**. Загрузите и установите расширенное ПО для программирования T.A.R.G.E.T. Основные особенности программы T.A.R.G.E.T:

- Различные возможные конфигурации для осей.
- Различные возможные уровни программирования: Basic (базовый), Advanced (расширенный) и Script (сценарий).
- Поддержка метода перетягивания.
- Возможность комбинирования блока рычагов TCA Quadrant Airbus Edition с различными джойстиком Thrustmaster (HOTAS Cougar, HOTAS Warhog, T.16000M, MFD Cougar Pack, каждый из которых также совместим с программой T.A.R.G.E.T), благодаря чему они распознаются как одно USB-устройство.
- Доступ к расширенным профилям, созданным пользователями сообщества Thrustmaster.



УСТРАНЕНИЕ НЕИСПРАВНОСТЕЙ И ПРЕДУПРЕЖДЕНИЯ

- **Блок рычагов TCA Quadrant Airbus Edition работает неправильно или, возможно, некорректно откалиброван.**
 - Выключите компьютер и извлеките USB-кабель, используемый для подключения блока рычагов TCA Quadrant Airbus Edition. Затем снова вставьте USB-кабель, включите компьютер и запустите игру.
 - При подключении USB-кабеля блока рычагов TCA Quadrant Airbus Edition всегда оставляйте ось руля направления выровненной по центру, если вы используете систему руля направления TFRP (продается отдельно): во время этой операции ни в коем случае не ставьте ноги на педали системы руля направления TFRP.
- **Не удается настроить блок рычагов TCA Quadrant Airbus Edition.**
 - Перейдите в меню игры Параметры/Контроллер/Геймпад или Джойстик и выберите подходящую конфигурацию или заново настройте параметры контролера.
 - Для получения дополнительной информации см. руководство пользователя или онлайн-справку для своей игры.
 - Воспользуйтесь расширенным ПО для программирования T.A.R.G.E.T (Thrustmaster Advanced pROgramming Graphical EdiTοr).
- **Блок рычагов TCA Quadrant Airbus Edition слишком или недостаточно чувствителен.**
 - Оси блока рычагов TCA Quadrant Airbus Edition автоматически калибруются после нескольких движений и после перемещения к физическим ограничителям для осей.
 - Перейдите в меню игры Параметры/Контроллер/Геймпад или Джойстик и настройте чувствительность и мертвые зоны для джойстика (если эти параметры доступны).
 - Воспользуйтесь расширенным ПО для программирования T.A.R.G.E.T (Thrustmaster Advanced pROgramming Graphical EdiTοr).



Данное устройство предназначено для использования исключительно в игровых целях. Категорически запрещается использовать его для профессиональной подготовки пилотов.

Сведения о потребительской гарантии

Корпорация Guillemot Corporation S.A., зарегистрированная по адресу Place du Granier, B. P. 97143, 35571 Chantepie, Франция, (далее — «Guillemot») гарантирует своим клиентам во всем мире, что в данном изделии Thrustmaster не будет выявлено никаких дефектов материалов и производства в течение гарантийного периода, который равен сроку предъявления претензии по соответствию для данного изделия. В странах Европейского Союза этот срок соответствует двум (2) годам с момента поставки изделия Thrustmaster. В других странах гарантийный период равен сроку предъявления претензии по соответствию для изделия Thrustmaster, определяемому соответствующим законодательством страны, в которой проживал потребитель на момент приобретения изделия Thrustmaster (если подобные претензии не действуют в соответствующей стране, гарантийный период равняется одному (1) году с первоначальной даты приобретения изделия Thrustmaster).

В случае обнаружения дефектов изделия во время гарантийного периода незамедлительно обратитесь в службу технической поддержки, сотрудники которой определяют дальнейшую процедуру. Если дефект будет подтвержден, изделие следует вернуть по месту приобретения (или в любое другое место, указанное службой технической поддержки).

В рамках действия гарантии дефектное изделие будет, по усмотрению службы технической поддержки, заменено или возвращено в рабочее состояние. Если в течение гарантийного срока изделие Thrustmaster будет подвержено такому восстановлению, к оставшемуся гарантийному сроку прибавляется период времени, но не менее семи (7) дней, во время которого изделие находилось вне употребления (началом этого периода считается дата запроса покупателя о вмешательстве или дата предоставления дефектного изделия для восстановления, если изделие было предоставлено для восстановления позднее, чем был сделан запрос о вмешательстве). В мере, разрешенной применимым законодательством, полная ответственность компании Guillemot и ее дочерних компаний (в том числе косвенный ущерб) ограничивается восстановлением рабочего состояния или заменой изделия Thrustmaster. В мере, разрешенной применимым законодательством, компания Guillemot отказывается от любых гарантий коммерческой пригодности или пригодности для определенной цели.

Настоящая гарантия не распространяется: (1) на ситуации, когда изделие было видоизменено, открыто, модифицировано или получило повреждения в результате недопустимого или неправильного использования, небрежности или несчастного случая, естественного износа или любой другой причины, не связанной с дефектом материалов или производства (включая, помимо прочего, использование изделия Thrustmaster совместно с любыми неподходящими элементами, в частности — с блоками питания, аккумуляторами, зарядными устройствами и любыми другими элементами, не входящими в комплектацию Guillemot для данного изделия); (2) на случаи использования продукта в любых целях, кроме бытовых, в том числе на случаи профессионального или коммерческого применения (например, в игровых залах, для проведения обучения и соревнований); (3) на ситуации, когда указания службы технической поддержки не были выполнены; (4) на ПО, так как на такое ПО распространяется отдельная гарантия; (5) на расходные материалы (элементы, предназначенные для замены в течение срока службы изделия: например, батарейки и ушные подушки для гарнитуры или наушников); (6) на аксессуары (например, кабели, чехлы, сумки, футляры, наручные ремешки); (7) на случаи продажи изделия с открытого аукциона. Данная гарантия не подлежит передаче.

Настоящая гарантия не ущемляет прав потребителя, предоставляемых ему применимым и законами в отношении продажи потребительских товаров в соответствующей стране.

Дополнительные условия гарантии

В течение гарантийного срока компания Guillemot, в общем и целом, не предоставляет никаких запасных частей, так как вскрытие и/или модификацию любых изделий Thrustmaster вправе осуществлять только служба технической поддержки (за исключением каких-либо процедур по модификации, которые служба технической поддержки может предложить выполнить клиенту путем письменных инструкций и предоставления, при необходимости, требуемых запасных частей: например, в связи с отсутствием статуса сложности или конфиденциальности у такой восстановительной процедуры).

С учетом периода освоения новых изделий и в целях защиты своих ноу-хау и коммерческих тайн компания Guillemot, в общем и целом, не предоставляет каких-либо уведомлений о восстановлении или запасных частей для любых изделий Thrustmaster с истекшим гарантийным сроком.

Ответственность

В мере, разрешенной применимым законодательством, компания Guillemot Corporation S.A. (далее — «Guillemot») и ее дочерние предприятия отказываются от любой ответственности за любой ущерб, вызванный одним или несколькими из следующих факторов: (1) видоизменение, вскрытие или модификация изделия; (2) несоблюдение инструкций по сборке; (3) недопустимое или неправильное использование, небрежность, несчастный случай (например, физическое воздействие); (4) естественный износ; (5) использование продукта в любых целях, кроме бытовых, в том числе профессиональное или коммерческое применение (например, в игровых залах, для проведение обучения и соревнований). В мере, разрешенной применимым законодательством, компания Guillemot и ее дочерние предприятия отказываются от любой ответственности за любой ущерб, не связанный с дефектами материалов или изготовления, в отношении данного изделия (включая, помимо прочего, любой ущерб, вызванный прямо или опосредованно любым программным обеспечением или использованием изделия Thrustmaster с любыми неподходящими элементами, в частности — блоками питания, аккумуляторами, зарядными устройствами и любыми другими элементами, не входящими в комплектацию Guillemot для данного изделия).

THRUSTMASTER®

ТЕХНИЧЕСКОЙ ПОДДЕРЖКИ

<https://support.thrustmaster.com>



АВТОРСКОЕ ПРАВО

© 2020 Guillemot Corporation S.A. Все права защищены. Thrustmaster® является зарегистрированной торговой маркой Guillemot Corporation.

AIRBUS, логотип, а также знаки продукции и обслуживания являются зарегистрированными товарными знаками корпорации Airbus. Все права защищены.

© Airbus, 2020. Все права защищены. Продукт, официально лицензированный корпорацией Airbus.

Все прочие торговые марки являются собственностью соответствующих владельцев.

Иллюстрации могут не соответствовать внешнему виду/функциям конкретного изделия.

Содержание руководства, конструкция и технические характеристики изделия изменяются без предварительного уведомления и зависят от страны приобретения.

При пользовании изделием учитывайте следующее: цвета и дизайн могут различаться.

Пластиковые стяжки и клейкую ленту следует снять перед использованием изделия.

Настоящий продукт соответствует всем стандартам в отношении детей в возрасте 14 лет и старше. Использование данного продукта детьми младше 14 лет недопустимо.

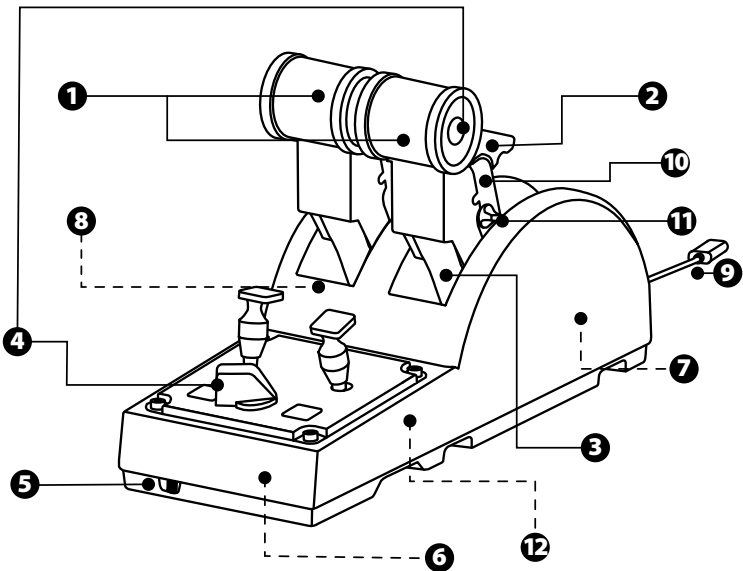
www.thrustmaster.com

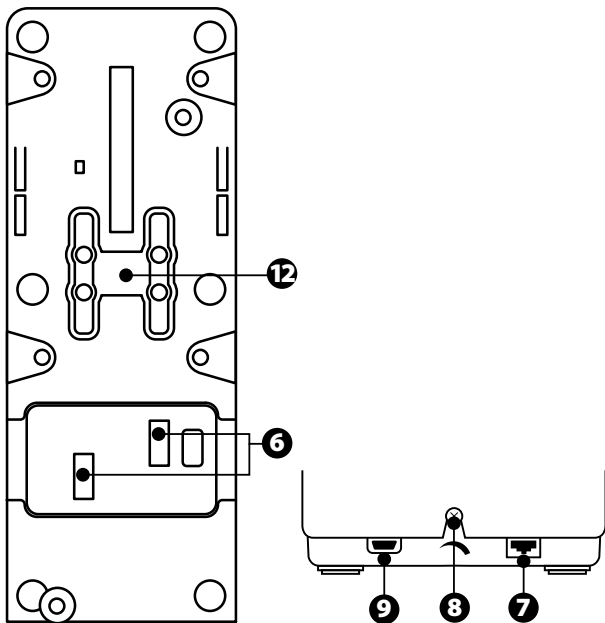


TCA QUADRANT AIRBUS EDITION

Uživatelský manuál

TECHNICKÉ VLASTNOSTI





- | | |
|---|--|
| <ol style="list-style-type: none"> 1. X a Y osy pro ovládání tahu motorů 2. Mechanismus reverzního tahu na každé ose 3. 4 zarážky na každé ose — 4 virtuální tlačítka na každé ose 4. 8 akčních tlačítek 5. Posuvný přepínač motorů: 1/2 nebo 3/4 6. Konektory SATA pro externí TCA Quadrant Add-On Airbus Edition moduly (doplňky se prodávají samostatně) | <ol style="list-style-type: none"> 7. Konektor pro systém směrovky TFRP (prodává se samostatně) 8. Seřizovací šroub 9. Konektor USB (typ B) 10. Umístění příčky 11. Mechanismus pro povolení/zakázání zpětného tahu motorů na každé ose 12. Mechanismus pro povolení/zakázání zarážek na každé ose |
|---|--|

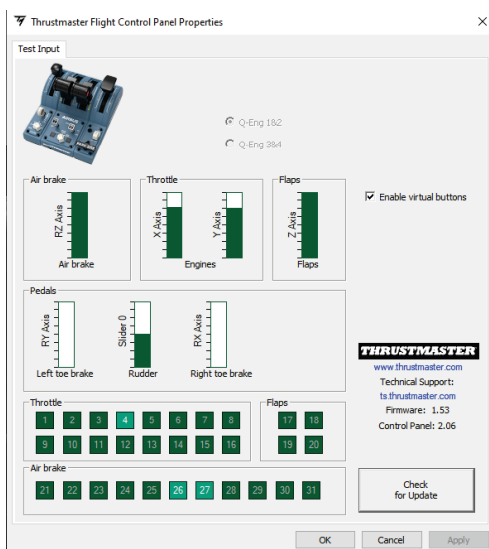
INSTALACE NA PC

1. Prosím navštivte <https://support.thrustmaster.com/>. Klikněte na **Joysticks / TCA Quadrant Airbus Edition**, a zvolte **Drivers**. Stáhněte a nainstalujte ovladač pro PC a jeho uživatelské rozhraní pro ovládací panely Windows.
2. Po nainstalování ovladače pro PC, připojte USB konektor k jednomu z USB rozhraní vašeho počítače.
3. Abyste měli přístup k ovládacímu panelu, klikněte na **Start / Aplikace / Thrustmaster / Ovládací Panel** (ve Windows® 10 / 8.1 / 8).

Zobrazí se dialogové okno **Herních ovladačů**.

Na displeji se zobrazí příslušenství pod názvem **TCA Q-Eng 1&2** (nebo **TCA Q-Eng 3&4**, v závislosti na poloze přepínače motorů [5]), spolu se stavem **OK**.

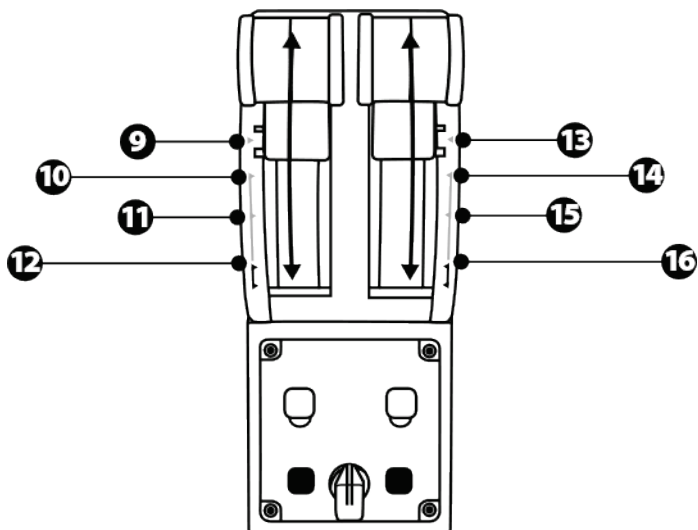
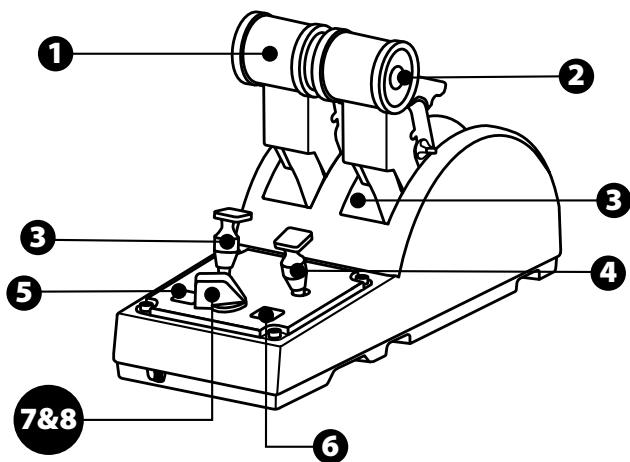
4. Pokud si chcete otestovat a prohlédnout všechny funkce, klikněte v dialogovém okně **Herních ovladačů**, na **Vlastnosti**.

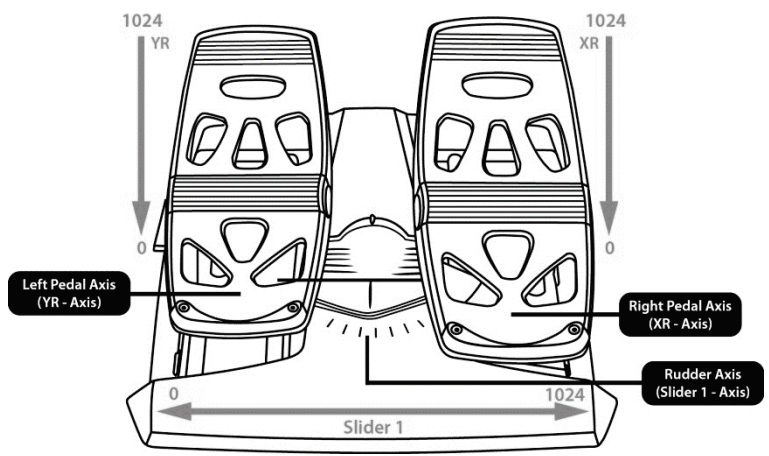
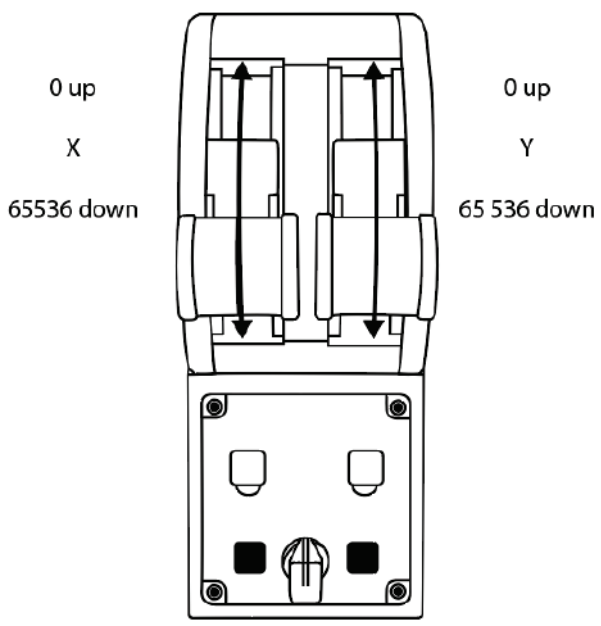


Enable virtual buttons (Povolení virtuálních tlačítek): Tato funkce umožňuje povolit nebo zakázat virtuální tlačítka na osách ovládní plynu. Jakmile zvolíte váš režim, klikněte na **Apply** (Použít).

Nyní jste připraveni ke hře!

MAPOVÁNÍ 16 TLAČÍTEK A 2 OS



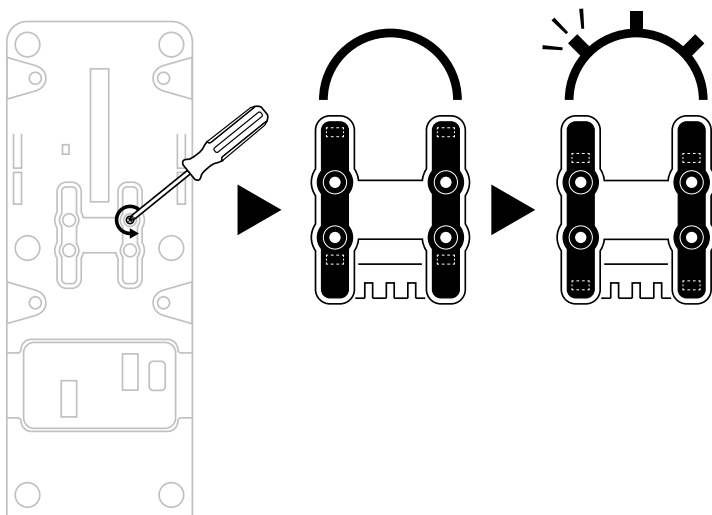


PROVÁDĚNÍ ZMĚN OS NA KVADRANTU OVLÁDÁNÍ TAHU MOTORŮ TCA QUADRANT AIRBUS EDITION

Kvadrant ovládání tahu motorů TCA Quadrant Airbus Edition je vybaven mechanickými voliči, které umožňují na každé ose deaktivovat zářezky/stupínky. Pokud tak učiníte, získáte plynulý pohyb na ose při zachování virtuálních tlačítek 9 až 16.

Tato možnost umožňuje měnit zážitky z pilotování podle typu letadla, se kterým při simulaci letíte (dopravní nebo civilní letadla).

1. TCA Quadrant Airbus Edition obrátte vzhůru nohama a od každého voliče, pomocí šroubováku s odpovídajícím tvarem hlavy, odšroubujte dva šrouby.
2. Podle značek přeprňte pozici voliče: toto vám umožní si vybrat buď plynulý pohyb na ose nebo pohyb se zářezkami/stupínky každé ose ovládače tahu motorů.

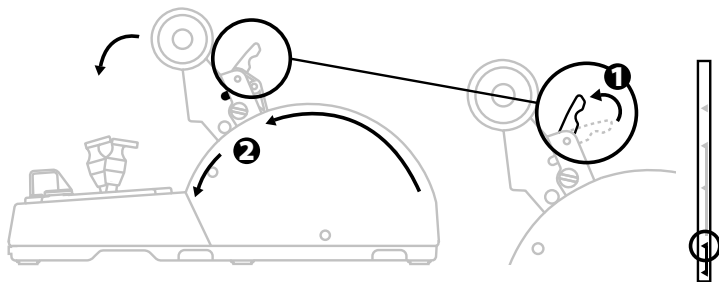


DEAKTIVACE ZPĚTNÉHO TAHU KVADRANTU OVLÁDÁNÍ TAHU MOTORŮ TCA QUADRANT AIRBUS EDITION

Kvadrant ovládání tahu motorů TCA Quadrant Airbus Edition je vybaven funkční funkcí zpětného tahu, který je replikou zpětného tahu, který lze nalézt u dopravních letadel Airbus. Pro pilotování soukromých letadel může být výhodnější vypnout funkci zpětného tahu motorů.

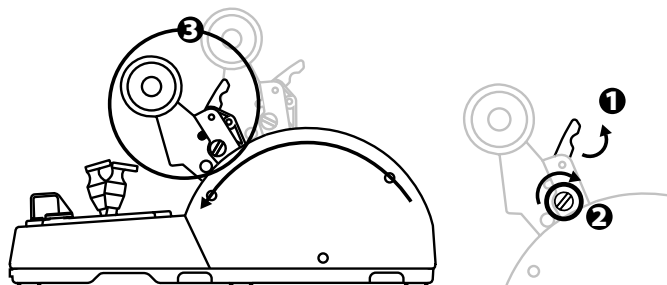
Režim dopravního letectví:

1. Na dorazu zvedněte mechanismus zpětného tahu.
2. Pohyb za doraz vám umožní použití zpětného tahu.

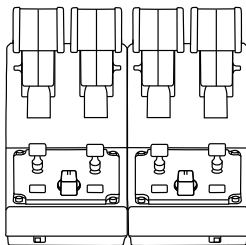


Režim všeobecného a civilního letectví:

1. Zdvihněte mechanismus zpětného tahu.
2. Otočením voliče do pozice 0 vypnete mechanismus zpětného tahu.
3. Nyní můžete ovladačem tahu motorů pohybovat po celé dráze osy.

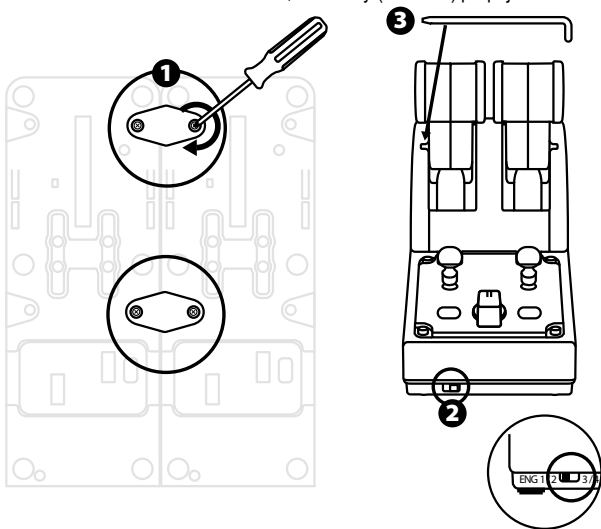


PROPOJENÍ DVOU KVADRANTŮ OVLÁDÁNÍ TAHU MOTORŮ TCA QUADRANT AIRBUS EDITION

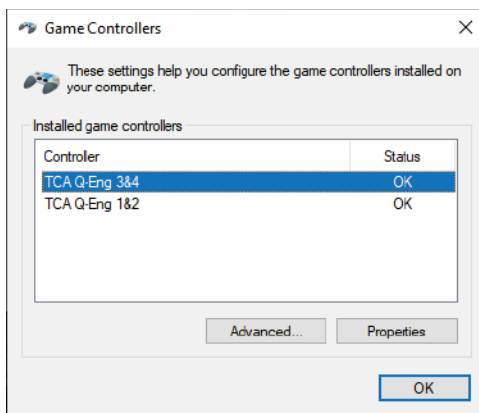


Dva kvadranty ovládání tahu motorů TCA Quadrant Airbus Edition můžete propojit dohromady (druhý kvadrant se prodává samostatně): toto vám umožní používat celkem 4 osy, například pro simulaci letu čtyř motorovým dopravním letadlem.

1. Oba kvadranty TCA Quadrant Airbus Edition obrátte vzhůru nohama, a pro propojení obou zařízení dohromady přišroubujte dva spojovací díly, které jsou součástí dodávky TCA Quadrant Airbus Edition.
2. Na druhém kvadrantu ovládání tahu motorů fyzicky přepněte posuvný přepínač do polohy 3/4, aby motory 3 a 4 byly přiřazeny k druhému kvadrantu (v ovládacím panelu na PC).
3. Aby bylo snazší pohybovat všemi pákami současně, pomocí příčky přiložené ke každému kvadrantu TCA Quadrant Airbus Edition, kvadranty (1/2 a 3/4) propojte dohromady.

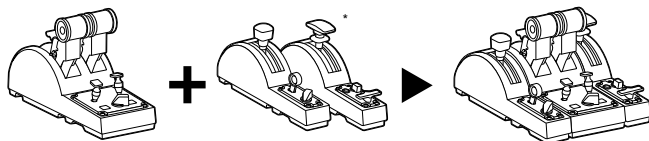


4. Po připojení obou zařízení k PC pomocí USB, se samostatně objeví v dialogovém okně herních ovladačů:



PŘIPOJENÍ KVADRANTU OVLÁDÁNÍ TAHU MOTORŮ TCA QUADRANT AIRBUS EDITION K TCA QUADRANT ADD-ON AIRBUS EDITION*

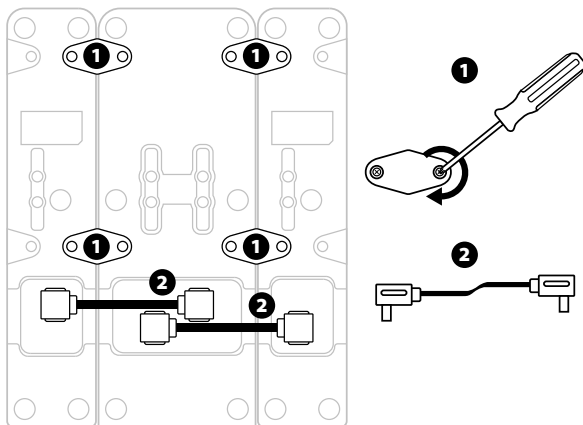
* Prodává se samostatně



Kvadrant ovládání tahu motorů TCA Quadrant Airbus Edition umožňuje připojení dalších modulů (prodávají se samostatně) TCA Quadrant Add-On Airbus Edition, které se připojují z obou stran k TCA Quadrant Airbus Edition.

Tato modularita přináší další osy a akční tlačítka a umožňuje rozšířit kinematiku při startu, letu a přistání kvadrantu ovládání tahu motorů TCA Quadrant Airbus Edition.

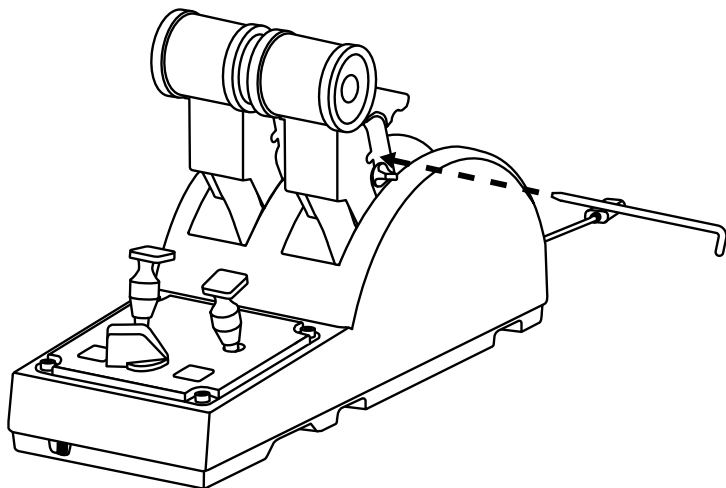
1. Kvadrant ovládání tahu motorů TCA Quadrant Airbus Edition a dva přídavné moduly TCA Quadrant Add-On Airbus Edition obraťte vzhůru nohama a (za použití šroubováku s odpovídajícím tvarem hlavy) dohromady sešroubujte čtyři propojovací části, které jsou součástí dodávky kvadrantu ovládání tahu motorů TCA Quadrant Airbus Edition, a moduly TCA Quadrant Add-On Airbus Edition: modul aerodynamické brzdy na levou stranu TCA Quadrant Airbus Edition, a modul vztlakových klapek na pravou stranu.
2. Připojte kabely SATA, které jsou součástí dodávky TCA Quadrant Add-On Airbus Edition ke konektorům SATA na TCA Quadrant Airbus Edition.



- Abyste zabránili poškození výrobku, pro utahování a povolování šroubů, použijte šroubovák s odpovídajícím tvarem hlavy.
- Použijte pouze oficiální kabely dodané společností Thrustmaster.

PROPOJENÍ A ODDĚLENÍ DVOU PÁK OVLÁDÁNÍ TAHU MOTORŮ

Pro spojení obou pák kvadrantu ovládání tahu motorů použijte příčku, která je součástí dodávky TCA Quadrant Airbus Edition.



EN

FR

DE

NL

IT

ES

PT

RU

CS

TR

PL

日本語

繁體中文

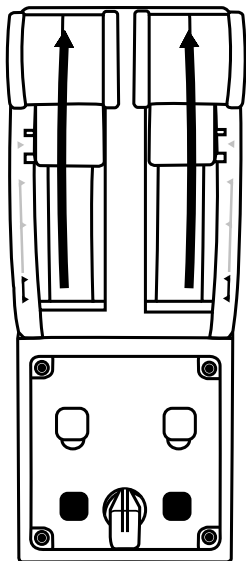
한국어

العربية

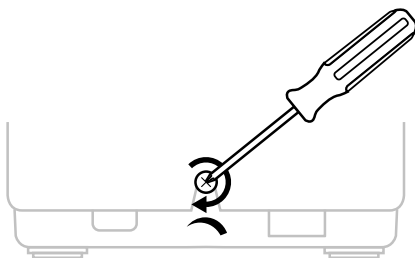
NASTENÍ ODPORU

DŮLEŽITÉ POZNÁMKY:

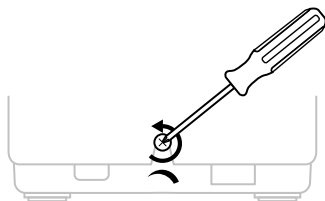
- Ve výchozím stavu je odpor obou pák ovládání tahu motorů nastaven na 50 %.
 - Chcete-li přesně nastavit odpor pák podle vašich požadavků, můžete použít šroubovák s odpovídajícím tvarem hlavy — nebo přiloženou příčku — pro otáčení nastavovací šroubem.
1. Obě páky ovládání tahu motorů zatlačte úplně dopředu, do maximální polohy, a šroubem pro nastavení odporu pák na zadní straně TCA Quadrant Airbus Edition nastavte požadovaný odpor.



2. Pro zvýšení odporu otáčejte šroubem pro nastavení odporu ve směru hodinových ručiček.



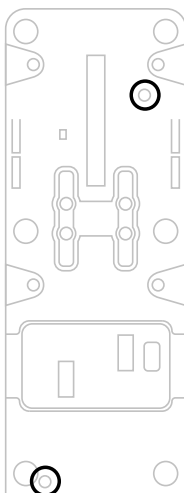
3. Pro snížení odporu, otáčejte šroubem pro nastavení odporu proti směru hodinových ručiček.



- Abyste zamezili poškození třecího systému, dávejte pozor, abyste příliš neutáhli nastavovací šroub: v okamžiku, kdy pocítíte odpor, přestaňte šroub utahovat.
- Pro zabránění spadnutí šroubu dovnitř TCA Quadrant Airbus Edition, nikdy šroub úplně nevyšroubovávejte.

PŘIPEVNĚNÍ KVADRANTU OVLÁDÁNÍ TAHU MOTORŮ TCA QUADRANT AIRBUS EDITION DO KOKPITU NEBO K JINÉ PEVNÉ PODLOŽCE

Pro připevnění TCA Quadrant Airbus Edition do kokpitu nebo na jinou pevnou podložku, pomocí M6 šroubů (nejsou v dodávce), můžete využít dvou otvorů ve spodní části kvadrantu.



PŘIPOJENÍ SYSTÉMU SMĚROVKY TFRP* KE KVADRANTU OVLÁDÁNÍ TAHU MOTORŮ TCA QUADRANT AIRBUS EDITION

* Prodává se samostatně

Kvadrant ovládání tahu motorů TCA Quadrant Airbus Edition je vybaven 7 osami, z nichž jsou 3 vyhrazeny pro směrovku TFRP.

Systém směrovky TFRP se připojuje přímo ke kvadrantu ovládání tahu motorů TCA Quadrant Airbus Edition.

1. Připojte M konektor RJ12 systému směrovky TFRP k F konektoru RJ12 na zadní straně kvadrantu ovládání tahu motorů.
2. Připojte USB konektor kvadrantu ovládání tahu motorů TCA Quadrant Airbus Edition k jednomu z USB rozhraní vašeho počítače.

Důležité poznámky týkající se automatické kalibrace os:

- Při připojování systému směrovky TFRP ke kvadrantu ovládání tahu motorů TCA Quadrant Airbus Edition, osu směrovky vždy nechte ve středové poloze: při připojování nikdy nepokládejte nohy na pedály systému směrovky TFRP.
- 3 osy pedálů se sami po několika pohybech automaticky nakalibrují a jakmile se fyzicky zastaví osa směrovky a 2 diferenciální brzdy, byla kalibrace dokončena.

T.A.R.G.E.T POKROČILÝ PROGRAMOVACÍ

(Thrustmaster Advanced pRogramming Graphical EdiT or)

Prosím navštivte <https://support.thrustmaster.com>. Klikněte na **Joysticks / TCA Quadrant Airbus Edition**, pak vyberte **Software**. Stáhněte a nainstalujte si pokročilý programovací software T.A.R.G.E.T.

Hlavní vlastnosti T.A.R.G.E.T:

- Různé možné konfigurace os.
- Různé možné úrovně programování: Basic, Advanced a Script.
- Používání metody Drag and Drop.
- Možnost připojení kvadrantu ovládání tahu motorů TCA Quadrant Airbus Edition k různým joystickům Thrustmaster (HOTAS Cougar, HOTAS Warthog, T.16000M, MFD Cougar Pack, všechny jsou kompatibilní s T.A.R.G.E.T), což umožňuje, aby byly rozpoznány jako jedno USB zařízení.
- Přístup k pokročilým profilům, vytvořeným komunitou Thrustmaster.



ŘEŠENÍ PROBLÉMŮ A VAROVÁNÍ

- **Můj kvadrant ovládání tahu motorů TCA Quadrant Airbus Edition nepracuje správně, nebo se zdá, že je nesprávně nakalibrován.**
 - Vypněte vaše PC a odpojte USB kabel kvadrantu ovládání tahu motorů TCA Quadrant Airbus Edition. Pak opět USB kabel připojte, zapněte PC a znovu spusťte hru.
 - Při připojování USB kabelu ke kvadrantu ovládání tahu motorů TCA Quadrant Airbus Edition, pokud používáte systém směrovky TFRP (prodává se samostatně), vždy nechte osu směrovky ve středové poloze: nikdy, při připojování, nepokládejte nohy na pedály systému směrovky TFRP.
- **Nemohu nakonfigurovat kvadrant ovládání tahu motorů TCA Quadrant Airbus Edition.**
 - V menu možnosti hry / Ovladač / gamepad nebo v menu joysticku vyberte příslušnou konfiguraci nebo kompletně upravte možnosti ovladače.
 - Pro další informace se podívejte do uživatelského manuálu ke hře nebo vyhledejte informace na internetu.
 - Použijte pokročilý programovací software T.A.R.G.E.T (Thrustmaster Advanced Programming Graphical Editor).
- **Můj kvadrant ovládání tahu motorů TCA Quadrant Airbus Edition je příliš citlivý, nebo není dostatečně citlivý.**
 - Osy kvadrantu ovládání tahu motorů TCA Quadrant Airbus Edition se sami automaticky nakalibrují po několika pohybech, a po dosažení fyzického dorazu os.
 - V menu možnosti hry / Ovladač / Gamepad nebo v menu joysticku nastavte citlivost a mrtvé zóny vašeho ovladače (pokud jsou tyto možnosti dostupné).

Použijte pokročilý programovací software T.A.R.G.E.T (Thrustmaster Advanced Programming Graphical Editor).



Toto zařízení je určeno pouze pro účely herní zábavy. Jepřísně zakázáno používat toto zařízení pro profesionální trénink.

SPOTŘEBITELSKÉ INFORMACE O ZÁRUCE

Celosvětově, Guillemot Corporation S.A., jejíž sídlo se nachází na Place du Granier, B. P. 97143, 35571 Chantepie, France (dále jen "Guillemot") zaručuje spotřebiteli, že tento výrobek od Thrustmasteru bude bez závad materiálu a zpracování, po dobu záruční doby od okamžiku převzetí výrobku ve shodě s ohledem na tento výrobek. V zemích Evropské Unie, tato doba odpovídá dvěma (2) letům od dodání výrobku Thrustmaster. V ostatních zemích, záruční doba odpovídá časovému intervalu od převzetí výrobku Thrustmaster v souladu s platnými zákony země, ve které měl spotřebitel trvalý pobyt ke dni nákupu výrobku Thrustmaster (pokud žádné takové opatření v příslušné zemi neexistuje, záruční doba bude jeden (1) rok od data nákupu výrobku Thrustmaster).

Bez ohledu na výše uvedené podmínky, je záruční doba na dobíjecí baterie omezena na dobu šesti (6) měsíců od původního datumu nákupu.

Pokud se u výrobku během záruční doby objeví závada, neprodleně kontaktujte Technickou podporu, kde vám naznačí postup, jak záruku uplatnit. Pokud bude závada uznána, výrobek musí být vrácen prodávajícímu, kde byl zakoupen (nebo na jiné místo, které určí Technická podpora).

V rámci této záruky, bude vadný výrobek podle Technické podpory buď vyměněn nebo uveden do funkčního stavu. Pokud bude během záruční doby výrobek Thrustmasteru opravován, bude záruční doba o dobu, kdy nebylo možné výrobek používat prodloužena, nejméně alespoň o sedm (7) dní (tato doba začíná datem, kdy zákazník požádal o vyřízení reklamace nebo od data, kdy dotyčný produkt byl k dispozici pro opravu, pokud datum předání výrobku k opravě je po datu žádosti o vyřízení reklamace). Pokud to umožňují platné zákony, je plná odpovědnost společnosti Guillemot a jejích dceřiných společností (včetně následných škod) omezena na navrácení produktu do provozuschopného stavu nebo na výměnu výrobku Thrustmaster. Pokud to umožňují platné zákony, Guillemot se zříká všech záruk obchodovatelnosti nebo vhodnosti pro určitý účel.

Tato záruka se nevztahuje na: (1) pokud byl výrobek modifikován, otevřen, změněn nebo utrpěl poškození v důsledku nevhodného nebo nesprávného používání, nedbalosti, nehody, běžného opotřebení, nebo jakékoliv jiné příčiny, nesusouvisející s vadou materiálu nebo zpracování (včetně, ale ne pouze, při kombinaci výrobku Thrustmaster s jakýmkoliv nevhodným prvkem, včetně zejména napájecích adaptérů, nabíjecích baterií, nabíječky, nebo jiných prvků, které nebyly k tomuto výrobku dodány společností Guillemot; (2) pokud byl výrobek používán pro jiné účely než domácí použití, včetně profesionálních a komerčních účelů (např. v hernách, při tréninku, při závoděch); (3) v případě nedodržení pokynů poskytovaných Technickou podporou; (4) software, na zmíněný software je poskytována zvláštní záruka; (5) spotřební materiál (prvky, které mohou být vyměněny v průběhu životnosti produktu: baterie na jedno použití, náhlavní sluchátkové soupravy nebo např. náušníky sluchátek); (6) příslušenství (například kabely, pouzdra, brašny, zápestní řemínky); (7) pokud byl výrobek prodán ve veřejné aukci.

Tato záruka je nepřenositelná.

Zákonná práva spotřebitele vzhledem k platným zákonům vztahujícím se na prodej spotřebního zboží v jeho nebo její zemi nejsou touto zárukou ovlivněny.

Další ustanovení o záruce

V průběhu záruční doby, Guillemot zásadně nedodává žádné náhradní díly, neboť Technická podpora je jedinou stranou autorizovanou k demontáži a opravě jakéhokoliv produktu Thrustmaster (s výjimkou jakékoli opravy, o kterou zákazníka požádá Technická podpora prostřednictvím písemných pokynů, například z důvodu jednoduchosti a neutažovaného postupu opravy a poskytnutím požadovaných náhradních dílů, jsou-li použitelné).

Vzhledem ke svému inovačnímu cyklu a s cílem ochrany know-how a obchodního tajemství, nesmí Guillemot zásadně poskytovat jakékoliv vyrozumění o opravách nebo náhradních dílech jakéhokoliv výrobku Thrustmaster, jehož záruční doba již vypršela.

Odpovědnost

Pokud to povolují příslušné zákony, Guillemot Corporation S.A. (dále jen "Guillemot") a její dceřiné společnosti se zřikají veškeré odpovědnosti za škody způsobené jedním nebo více následujícími body: (1) výrobek byl modifikován, otevřen nebo pozměněn; (2) nedodržení návodu k montáži; (3) nevhodné nebo nesprávné používání, nedbalost, nehoda (například náraz); (4) běžné opotřebení; (5) použití výrobku pro jakékoliv jiné než domácí použití, včetně profesionálního nebo komerčního použití (například v hernách, pro výcvik, při soutěžích). Pokud to povolují příslušné zákony, Guillemot a její dceřiné společnosti se zřikají veškeré odpovědnosti za jakékoliv škody, které nesouvisí s použitými materiály nebo výrobní vadou příslušného výrobku (včetně, ale nikoliv výhradně, veškerých škod způsobených přímo nebo nepřímo softwarem, nebo kombinací výrobku Thrustmaster s jakýmkoliv nevhodným prvkem včetně zejména napájecími zdroji, dobíjecími bateriemi, nabíječkami nebo jakýmkoliv jinými prvky, které nebyly společností Guillemot k tomuto výrobku dodány).

THRUSTMASTER®

TECHNICKÁ PODPORA

<https://support.thrustmaster.com>



COPYRIGHT

© 2020 Guillemot Corporation S.A. Všechna práva vyhrazena. Thrustmaster® je registrovaná obchodní známka společnosti Guillemot Corporation S.A. Windows® je registrovaná obchodní známka společnosti Microsoft Corporation ve Spojených státech a/nebo v dalších zemích. AIRBUS, jeho logo, produkt a servisní značky jsou ochranné známky společnosti Airbus. Všechna práva vyhrazena.


© Airbus 2020. Všechna práva vyhrazena. Oficiálně licencováno společností Airbus. Všechny ostatní obchodní známky jsou ve vlastnictví příslušných vlastníků. Obrázky nejsou závazné. Obsah, design a specifikace mohou být změněny bez předchozího upozornění a mohou se v jednotlivých zemích lišit. Vyrobeno v Číně.

DOPORUČENÁ OCHRANA ŽIVOTNÍHO PROSTŘEDÍ



* V zemích Evropské unie: Na konci životnosti by tento výrobek neměl být vhozen do standardního směsného odpadu, ale odevzdán do sběrného dvoru na recyklaci elektrických a elektronických zařízení.

Toto je potvrzeno symbolem, který je na výrobku, v uživatelském manuálu nebo na obalu.

 V závislosti na charakteristice materiálů, mohou být tyto recyklovány. Recyklací a dalšími formami zpracování odpadních elektrických a elektronických zařízení můžete významným způsobem přispět k ochraně životního prostředí.

Pro informace o nejbližším sběrném dvoru se obraťte na místní úřad.

Pro všechny ostatní země: Dodržujte prosím místní předpisy týkající se recyklace elektrických a elektronických zařízení.

Tyto informace si uchovejte. Barvy a dekorace se mohou lišit.

Před použitím by měly být z výrobku odstraněny plastové spojovací lepicí materiály.

Tento výrobek splňuje všechny standardy týkající se dětí ve věku 14 let a starších. Tento výrobek není vhodný pro děti mladší 14 let.

www.thrustmaster.com

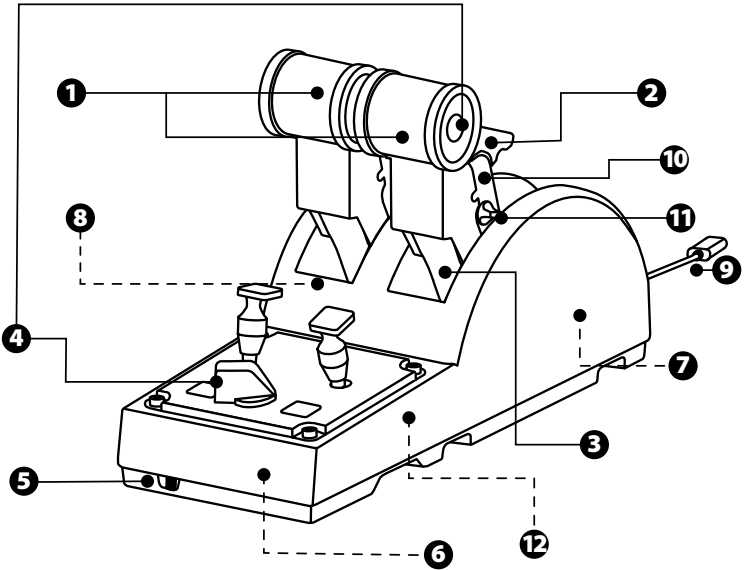
** Platné pouze pro EU a Turecko*

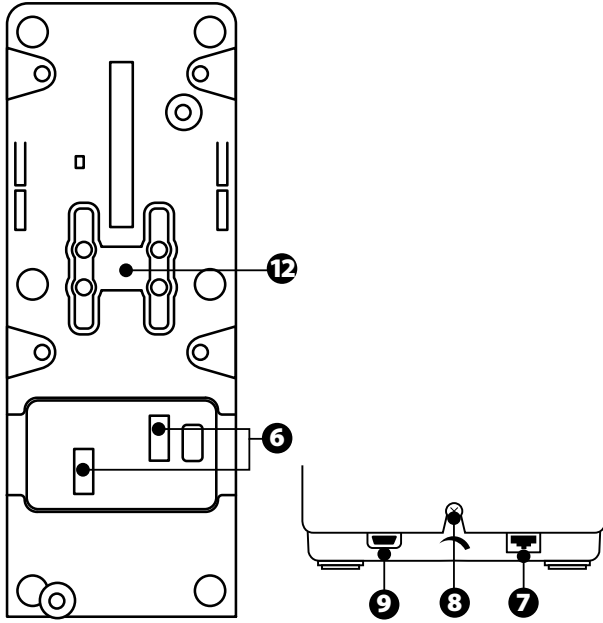


TCA QUADRANT AIRBUS EDITION

Kullanma kılavuzu

TEKNİK ÖZELLİKLER





- | | |
|---|--|
| <ol style="list-style-type: none"> 1. Gaz kolu X ve Y eksenli 2. Her eksen için ters itme mekanizması 3. Her eksen için 4 pozisyon - her eksen için 4 sanal düğme 4. 8 eylem düğmesi 5. Motorlar için seçim düğmesi: 1/2 veya 3/4 6. Harici TCA Quadrant Add-On Airbus Edition modülleri (ayrı olarak satılan eklenti) için SATA konektörleri | <ol style="list-style-type: none"> 7. TFRP dümen sistemi (ayrı olarak satılır) için konektör 8. Sürtünme ayar vidası 9. USB konektörü (tip B) 10. Bağlama kolu konumu 11. Her eksen için ters itmeyi devreye alma/devreden çıkarma mekanizması 12. Her eksen için pozisyonları devreye alma/devreden çıkarma mekanizması |
|---|--|

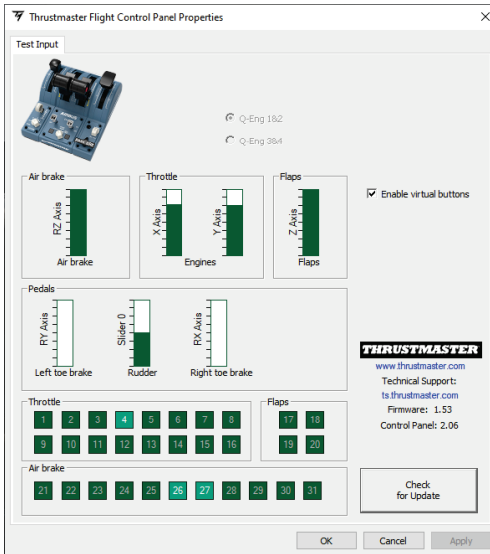
PC'DE KURULUM

1. Lütfen <https://support.thrustmaster.com> adresini ziyaret edin. **Joysticks / TCA Quadrant Airbus Edition** ögesine tıklayın ve **Drivers**'ı seçin. PC sürücüsünü ve Windows Denetim Masası için özel arayüzünü indirip yükleyin.
2. PC sürücüsü yükledikten sonra cihazın USB konektörünü PC'nizin USB portlarından birine bağlayın.
3. Denetim Masasına erişmek için **Başlat / Uygulamalar / Thrustmaster / Denetim Masasına** tıklayın (Windows® 10 / 8.1 / 8'de).

Oyun Kumandalar iletişim kutusu açılır.

Aksesuar ekranda, **TCA Q-Eng 1&2** (veya motorlar için seçme düğmesinin [5] konumuna bağlı olarak **TCA Q-Eng 3&4**) adıyla durumu **Tamam** olarak listelenir.

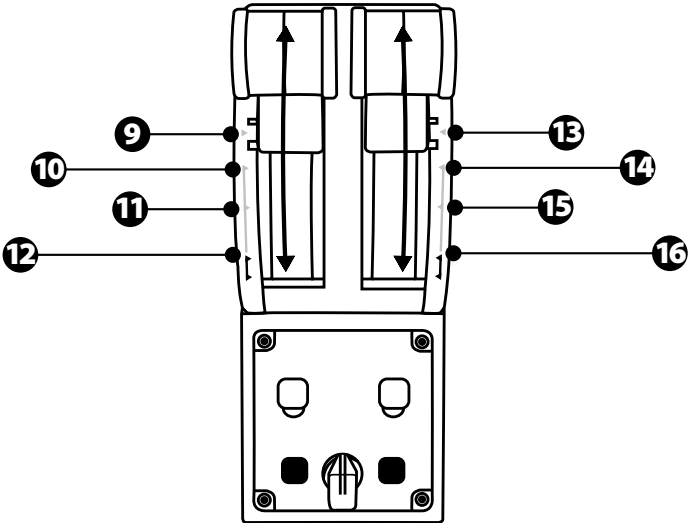
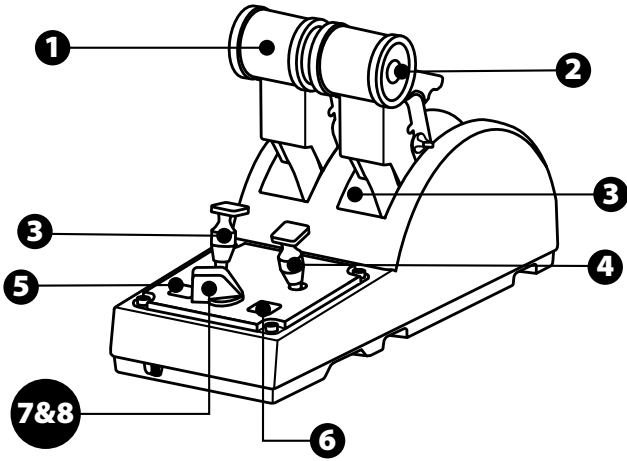
4. Tüm özellikleri test etmek ve görmek için **Oyun Kumandaları** iletişim kutusunda **Özellikler**etkileyin.

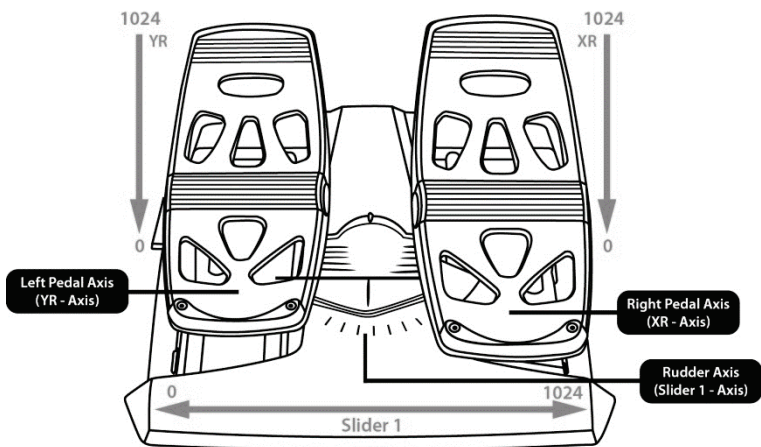
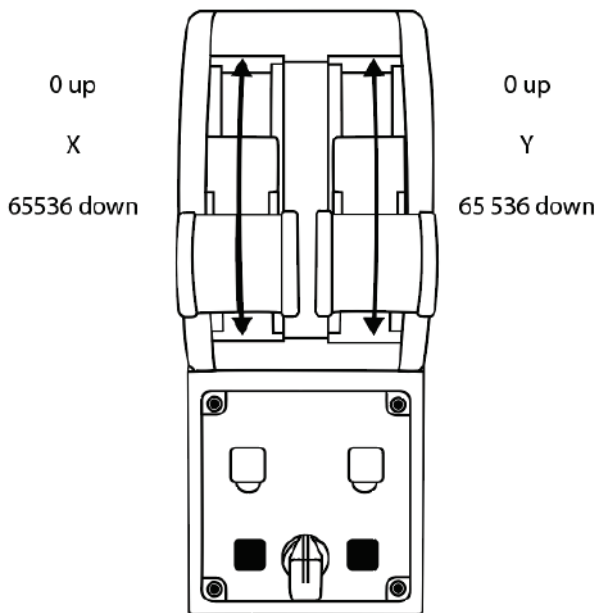


Enable virtual buttons (Sanal düğmeleri etkinleştir) : Bu özellik gaz kolu eksenlerindeki sanal düğmeleri etkinleştirmenizi veya devre dışı bırakmanızı sağlar. Modunuzu seçtiğinizde **Apply** (Uygula) düğmesine tıklayın.

Artık oynamaya hazırsınız!

16 DÜĞME VE 2 EKSEN İÇİN EŞLEŞTİRME



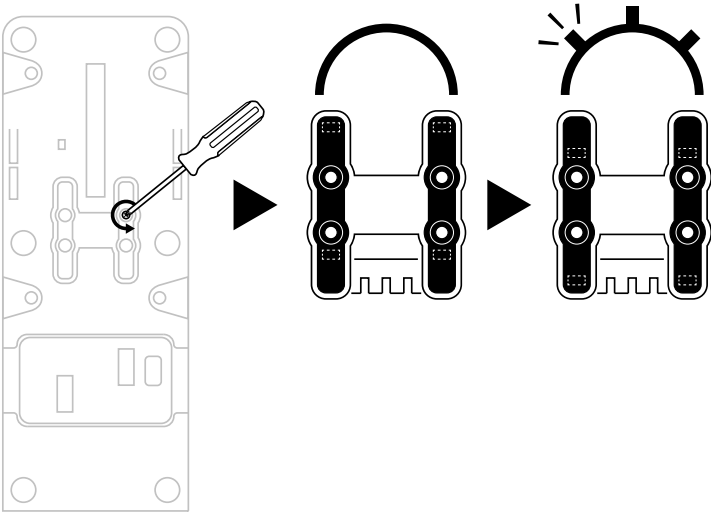


TCA QUADRANT AIRBUS EDITION GAZ KOLU KADRANINDA EKSENLERDE DEĞİŞİKLİK YAPMA

TCA Quadrant Airbus Edition gaz kolu kadranı her eksendeki pozisyonları/kademeleri devreden çıkarmanızı sağlayan mekanik seçicilere sahiptir. Böylece sanal düğmeler 9 ila 16'yı korurken daha düz eksenlere sahip olabilirsiniz.

Bu seçenek simülasyonunuzda kullanılan uçak tipine göre (ticari uçak veya yolcu uçağı) pilotaj duyularını değiştirmenizi sağlar.

1. TCA Quadrant Airbus Edition'ı tersine çevirin ve uygun uç şekline sahip bir tornavida kullanarak her bir seçicinin iki vidasını çıkarın.
2. Göstergeleri kılavuz olarak kullanarak seçicilerin konumunu değiştirin: bu işlem TCA Quadrant Airbus Edition gaz kolu kadranındaki her eksen için düz eksen veya pozisyon/kademeli eksen seçmenizi sağlayacaktır.

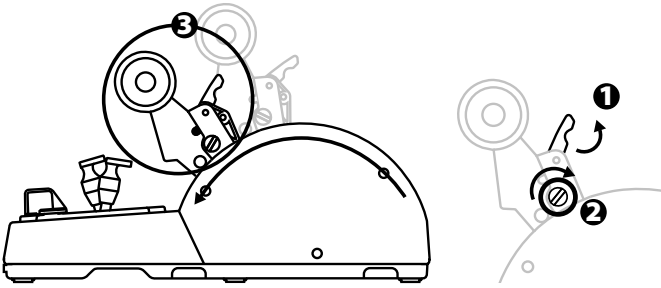


TCA QUADRANT AIRBUS EDITION GAZ KOLU KADRANINDA TER İTİCİLERİ DEVRE DIŐI BIRAKMA

TCA Quadrant Airbus Edition gaz kolu kadranı, Airbus ticari havacılık gaz kollarında bulunanların benzeri fonksiyonel ters iticilere sahiptir. Sivil havacılıęa daha uygun pilotaj için ters itme mekanizmasını devre dıŐı bırakabilirsiniz.

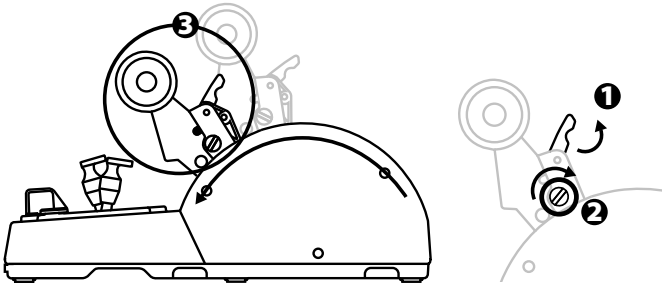
Ticari uak modu:

1. Stopta ters itme mekanizmasını yukarı kaldırın.
2. Stopu geecek Őekilde hareket ettirmek ters iticiyi kullanmanızı saęlar.

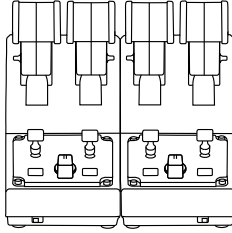


Genel ve sivil havacılık modu:

1. Ters itme mekanizmasını yukarı kaldırın.
2. Ters itme mekanizmasını devre dıŐı bırakmak için seiciyi 0 konumuna alın.
3. Gaz kolu artık tm eksen boyunca hareket edebilir.

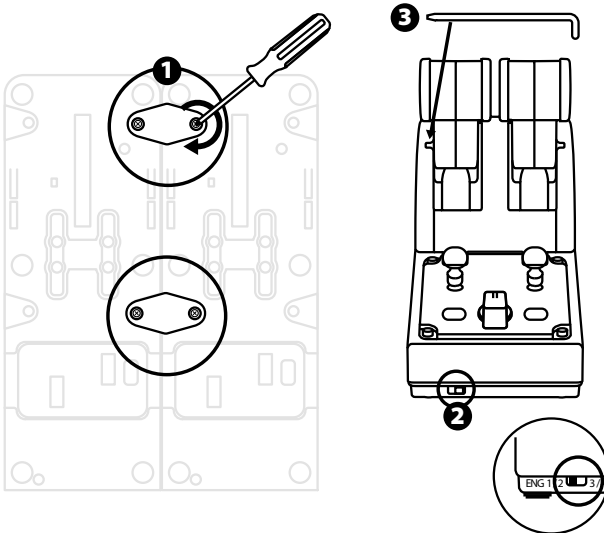


İKİ TCA QUADRANT AIRBUS EDITION GAZ KOLU KADRANINI BAĞLAMA

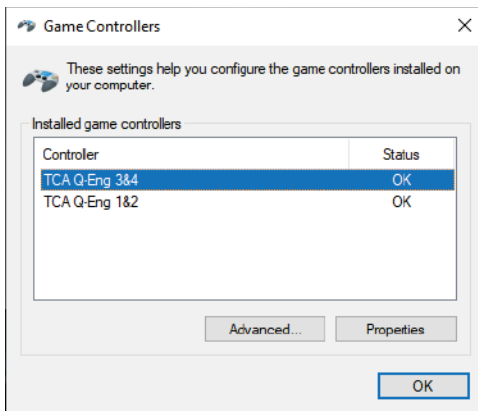


İkinci bir TCA Quadrant Airbus Edition gaz kolu kadranı (ayrı olarak satılır) bağlayabilirsiniz: Bu, örneğin dört motorlu ticari uçağı simüle eden toplam 4 eksen kullanmanızı sağlar.

1. Her iki TCA Quadrant Airbus Edition gaz kolu kadranı tersine çevirin ve iki cihazı birbirine bağlamak için TCA Quadrant Airbus Edition ile verilen iki montaj parçasını vidalayın.
2. İkinci gaz kolu kadránında 3 ve 4 numaralı motorları ikinci gaz kolu kadranı ile ilişkilendirmek için seçme düğmesini fiziksel olarak 3/4 konumuna alın (PC'de Denetim Masası).
3. Birlikte hareket etmelerini kolaylaştırmak için her TCA Quadrant Airbus Edition ile verilen bağlama kolunu kullanarak eksenleri çiftler halinde (1/2 ve 3/4) birbirine bağlayın.

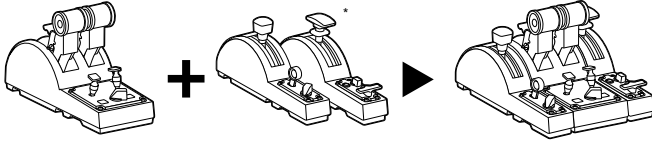


4. Her iki cihaz da USB üzerinden PC'nize bağlandığında **Oyun Kumandaları** iletişim kutusunda bağımsız olarak görüntülenirler:



TCA QUADRANT AIRBUS EDITION GAZ KOLU KADRANINI TCA QUADRANT ADD-ON AIRBUS EDITION*'A BAĞLAMA

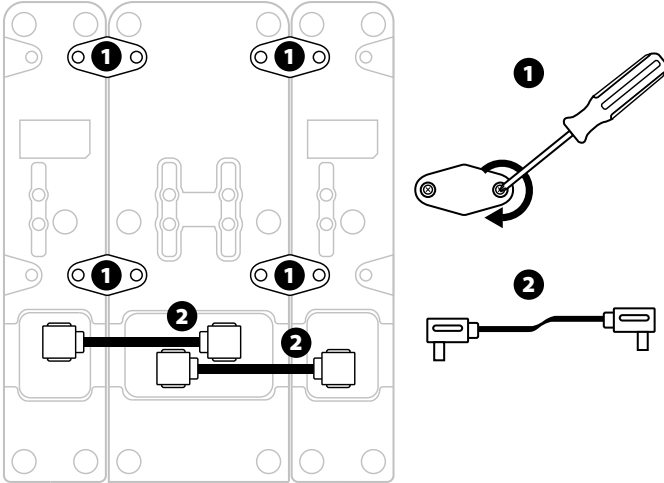
* Ayrı olarak satılır



TCA Quadrant Airbus Edition gaz kolu kadranı, TCA Quadrant Airbus Edition'ın her iki tarafına ek TCA Quadrant Add-On Airbus Edition modülleri (ayrı olarak satılır) bağlayabilmeyi sağlar.

Bu modüllerle yeni eksenler ve eylem düğmeleri ekler ve TCA Quadrant Airbus Edition gaz kolu kadranı için kalkış, uçuş ve iniş kinematiklerini genişletmeyi sağlar.

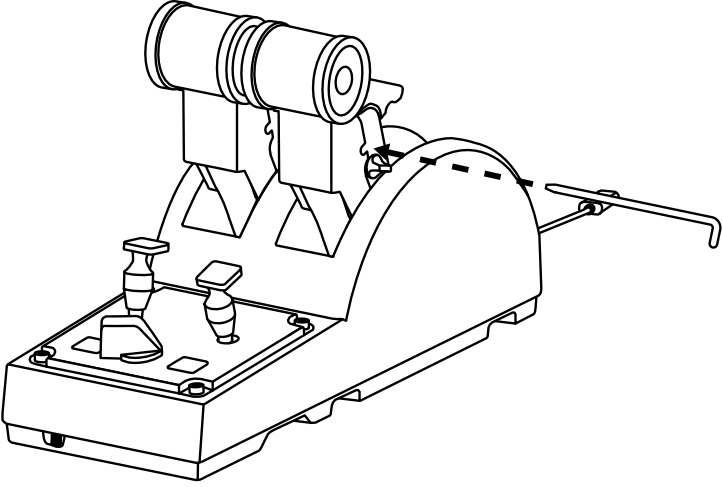
1. TCA Quadrant Airbus Edition gaz kolu kadranı ve ek iki TCA Quadrant Add-On Airbus Edition modülünü tersine çevirin ve (uygun uç şekline sahip bir tornavida kullanarak) TCA Quadrant Airbus Edition gaz kolu ve TCA Quadrant Add-On Airbus Edition ile verilen dört montaj parçasını vidalayarak üç cihazı birbirine takın: Hız freni modülü TCA Quadrant Airbus Edition'ın soluna ve Flapler sağına.
2. TCA Quadrant Add-On Airbus Edition ile verilen SATA kablolarını TCA Quadrant Airbus Edition üzerindeki SATA konektörlerine bağlayın.



- Ürünlerin zarar görmesini engellemek için vidaları sıkmak/gevşetmek için uygun uç şekline sahip bir tornavida kullanın.
- Sadece Thrustmaster tarafından verilen resmi kabloları kullanın.

İKİ GAZ KOLONUNUN TAKILMASI/AYRILMASI

İki gaz kolunu birbirine bağlamak için TCA Quadrant Airbus Edition gaz kolu kadranında verilen bağlama kolunu kullanın.



EN

FR

DE

NL

IT

ES

PT

RU

CS

TR

PL

日本語

繁體中文

한국어

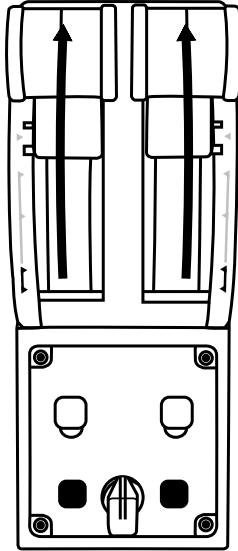
العربية

SÜRTÜNMENİN AYARLANMASI:

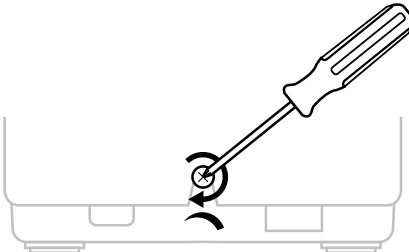
ÖNEMLİ NOTLAR:

- İki gaz kolu için sürtünme varsayılan olarak %50'ye ayarlanmıştır.
- Tercihinize göre hassas ayar yapmanızı sağlamak için uygun uç şekline sahip bir tornavida - veya verilen bağlama çubuğunu - kullanarak sürtünme ayar vidasını çevirebilirsiniz.

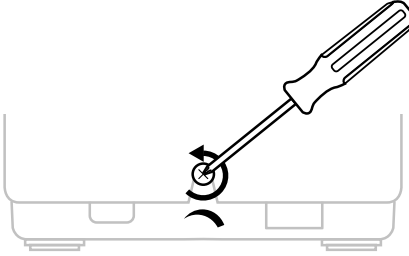
1. Her iki gaz kolunu maksimum değerlerine kadar ileri ittirin ve ardından TCA Quadrant Airbus Edition'ın arka kısmındaki sürtünme ayar vidasına ulaşın.



2. Sürtünmeyi artırmak için sürtünme ayar vidasını saat yönünde çevirin.



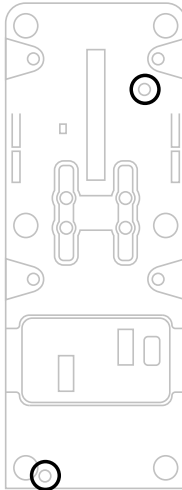
3. Sürtünmeyi azaltmak için sürtünme ayar vidasını saatin aksi yönünde çevirin.



- Sürtünme sisteminin zarar görmesini engellemek için ayar vidasını fazla sıkıkmaya dikkat edin: direnç hissettiğinizde vidayı çevirmeyi bırakın.
- Vidanın TCA Quadrant Airbus Edition'ın gövdesinin içine düşmesini önlemek için ayar vidasını hiçbir zaman tamamen çıkarmayın.

TCA QUADRANT AIRBUS EDITION GAZ KOLU KADRANINI BİR KOKPİT VEYA SABİT BAŞKA BİR YÜZEYE TAKMA

TCA Quadrant Airbus Edition'ı bir kokpit veya sabit başka bir yüzeye M6 vidalar (ürünle verilmez) kullanarak takmak için altında bulunan iki deliği kullanabilirsiniz.



TFRP* DÜMEN SİSTEMİNİ TCA QUADRANT AIRBUS EDITION GAZ KOLU KADRANINA BAĞLAMA

* Aynı olarak satılır

TCA Quadrant Airbus Edition gaz kolu kadranında 7 eksen bulunur ve bu eksenlerin 3'ü TFRP dümen sistemi için ayrılmıştır.

TFRP dümen sistemi doğrudan TCA Quadrant Airbus Edition gaz kolu kadranına bağlanır.

1. TFRP dümen sisteminin erkek RJ12 konektörünü TCA Quadrant Airbus Edition gaz kolu kadranının arka kısmında bulunan dişi RJ12 konektörüne bağlayın.
2. TCA Quadrant Airbus Edition gaz kolu kadranının USB konektörünü PC'nizin USB portlarından birine bağlayın.

Otomatik eksen kalibrasyonu ile ilgili önemli notlar:

- TFRP dümen sisteminin TCA Quadrant Airbus Edition gaz kolu kadranına bağlanırken dümen eksenini mutlaka ortalanmış bırakın: Bunu yaparken ayaklarınızı asla TFRP dümen sisteminin üzerine koymayın.
- Pedalların 3 eksenini birkaç hareket sonrasında ve dümen eksenini ile 2 diferansiyel fren eksenini için fiziki durma noktalarına ulaştıktan sonra kendilerini otomatik olarak kalibre ederler.

T.A.R.G.E.T GELİŞMİŞ PROGRAMLAMA YAZILIMI (Thrustmaster Advanced pROgramming Graphical EdiTOr)

Lütfen <https://support.thrustmaster.com> adresini ziyaret edin. **Joysticks / TCA Quadrant Airbus Edition** ögesine tıklayın ve **Software**'i seçin. T.A.R.G.E.T gelişmiş programlama yazılımını indirerek yükleyin.

T.A.R.G.E.T.'in ana özellikleri:

- Eksenler için farklı konfigürasyon imkanı.
- Çeşitli programlama düzeyleri: Basic, Advanced ve Script.
- Sürükle ve Bırak ilkesi kullanımı.
- TCA Quadrant Airbus Edition gaz kolu kadranını çeşitli Thrustmaster joystick'leri (HOTAS Cougar, HOTAS Warthog, T.16000M, MFD CougarPack, hepsi T.A.R.G.E.T ile de uyumludur) birleştirilerek tek bir USB cihazı olarak algılanma imkanı.
- Thrustmaster topluluğu tarafından oluşturulan gelişmiş profillere ulaşma.



SORUN GİDERME VE UYARI

- **TCA Quadrant Airbus Edition gaz kolu kadranını düzgün çalışmıyor veya hatalı kalibre edilmiş gözüküyor.**
 - PC'nizi kapatın ve TCA Quadrant Airbus Edition gaz kolu kadranının USB konektörünü çıkarın. Daha sonra USB konektörünü yeniden takın, PC'nizi tekrar açın ve oyununuzu yeniden başlatın.
 - TCA Quadrant Airbus Edition gaz kolu kadranının USB konektörünü bağlarken TF RP dümen sistemini (ayrı olarak satılır) kullanıyorsanız dümen eksenini mutlaka ortalanmış bırakın: Bunu yaparken ayaklarınızı asla TFRP dümen sisteminin pedallarına koymayın.
- **TCA Quadrant Airbus Edition gaz kolu kadranını konfigüre edemiyorum.**
 - Oyununuzun Seçenekler / Kumanda Birimi / Oyun Pedi veya Joystick menüsünden uygun konfigürasyonu seçin veya kumanda birimi seçeneklerini komple yeniden ayarlayın.
 - Daha fazla bilgi için lütfen oyununuzun kullanma kılavuzuna veya online yardıma başvurun.
 - T.A.R.G.E.T (Thrustmaster Advanced pRogramming Graphical EdiTor) gelişmiş programlama yazılımını kullanın.
- **TCA Quadrant Airbus Edition gaz kolu kadranını çok hassas veya yeterince hassas değil.**
 - TCA Quadrant Airbus Edition gaz kolu kadranının eksenleri, birkaç hareketten sonra ve eksenin fiziksel durma noktasına ulaştıktan sonra kendi kendilerini otomatik olarak kalibre ederler.
 - Oyununuzun Seçenekler / Kumanda Birimi / Oyun Pedi veya Joystick menüsünden kumanda biriminiz için hassasiyet ve ölü bölgeleri ayarlayın (bu seçenekler mevcutsa).
 - T.A.R.G.E.T (Thrustmaster Advanced pRogramming Graphical EdiTor) gelişmiş programlama yazılımını kullanın.



Bu cihaz sadece oyun eğlence amaçlarıyla kullanım için tasarlanmıştır. Bu cihazın profesyonel eğitim faaliyetlerinde kullanılması kesinlikle yasaktır.

TÜKETİCİ GARANTİ BİLGİSİ

İşbu Thrustmaster ürün, malzeme ve işçilik hatalarına karşı, müşterinin kusurlu ürünün ücretinin iade edilmesi veya değiştirilmesi talebinde bulunabileceği süreye karşılık gelen garanti süresince dünya çapında tescil edilmiş merkezi Place du Granier, B.P. 97143, 35571 Chantepie, Fransa'da bulunan Guillemot Corporation S.A. (bundan sonra "Guillemot" olarak ifade edilecektir) garantisi altındadır. Avrupa Birliği ülkelerinde bu süre, Thrustmaster ürünün tesliminden itibaren iki (2) seneye karşılık gelir. Diğer ülkelerde garanti süresi, Thrustmaster ürün ile ilgili olarak, Thrustmaster ürünün satın alındığı tarihte müşterinin ikamet ettiği ülkede geçerli yasalara uygun şekilde, müşterinin kusurlu ürünün ücretinin iade edilmesi veya değiştirilmesi talebinde bulunabileceği süreye karşılık gelir (İlgili ülkede bu tür bir düzenleme mevcut değilse garanti süresi Thrustmaster ürünün satın alındığı asıl tarihten itibaren bir (1) yıl olacaktır).

Garanti süresi içinde üründe hata veya kusur tespit edilmesi durumunda derhal izlenecek yöntem ile ilgili size bilgi verecek olan Teknik Destek servisimize başvurun. Hata veya kusur onaylanırsa ürünün satın alındığı yere (ya da Teknik Destek servisi tarafından belirtilen yere) iade edilmesi gerekmektedir.

İşbu garanti kapsamında müşterinin kusurlu ürünü, Teknik Destek servisinin insiyatifine bağlı olarak, değiştirilecek veya çalışır hale getirilecektir. Garanti süresince Thrustmaster ürününün onanım işlemine tabi tutulması durumunda, ürünün kullanım dışı olduğu en az yedi (7) günlük tüm süreler kalan garanti süresine eklenecektir (bu süre, ürünün onanması için hazır bulunduğunuz tarih müdahale edilmesi için talepte bulunduğunuz tarihi takip ediyor ise müşterinin müdahale edilmesi için talepte bulunduğunuz tarihten veya bahse konu ürünün onanması için hazır bulunduğunuz tarihten başlar). Yürürlükte olan yasalann izin verdiği durumlarda, Guillemot ve bağlılarının tüm sorumluluğu (dolaylı hasarlar da dahil olmak üzere) Thrustmaster ürününün çalışır hale getirilmesi veya değiştirilmesi ile sınırlıdır. Yürürlükte olan yasalann izin vermesi halinde Guillemot, ticarete elverişlilik veya belirli bir amaca uygunluk ile ilgili tüm garantileri reddeder.

İşbu garanti aşağıdaki durumlar için geçerli değildir: (1) Ürün modifiye edilmişse, açılmışsa, üzerinde değişiklik yapılmışsa, uygunsuz veya kötü kullanım, ihmal, kaza, normal aşınma ya da malzeme veya üretim hatası ile ilgili olmayan nedenlerden dolayı hasar görmüşse (ancak bununla sınırlı kalmamak üzere, Thrustmaster ürününü herhangi uygun bir elemanla birleştirmek, buna dahil olarak özellikle güç kaynakları, yeniden doldurulabilir piller, şarj cihazları veya bu ürün için Guillemot tarafından tedarik edilmemiş tüm diğer elemanlar); (2) ürün, evde kullanım dışında, profesyonel veya ticari maksatlı olanlar da dahil olmak üzere (örneğin oyun salonları, eğitim, yarışlar) başka maksatlarla kullanılmışsa; (3) Teknik Destek servisi tarafından sağlanan talimatlara uyulmamışsa; (4) yazılım için, işbu garanti geçerli değildir, söz konusu yazılım için sağlanan özel garanti hükümlerine tabidir; (5) sarf malzemeleri için (ürünün kullanım süresi içinde değiştirilecek elemanlar: örneğin; tek kullanımlık piller, kulaklık yastıkları); (6) aksesuarlar için (örneğin; kablolar, kılıflar, cepler, çantalar, bileklikler); (7) ürün açık artırma ile satılmışsa. Bu garanti devrolunamaz.

Tüketim mallarının tüketicinin ülkesinde satışına ilişkin tüketicinin yasal hakları işbu garantiden etkilenmemektedir.

Ek garanti hükümleri

Garanti süresince, tüm Thrustmaster ürünlerini açmaya ve/veya onarmaya yetkili tek taraf Teknik Destek Servisi olduğundan prensip olarak Guillemot tarafından hiçbir yedek parça sağlanmayacaktır (Uygulanabilir olması durumunda yazılı talimatlarla ve müşteriye gerekli yedek parça(lar) sağlanarak Teknik Destek Servisinin müşteri tarafından yapılmasını isteyebileceği tüm onanım prosedürleri hariç – örneğin onanım işleminin basit olmasından ve gizlilik içermemesinden dolayı).

İnovasyon döngülerini dikkate almak ve bilgi birikimi ile ticari sırfını korumak için Guillemot, prensip olarak garanti süresi dolmuş hiç bir Thrustmaster ürünü için onanım bilgisi veya yedek parça sağlamayacaktır.

Sorumluluk

Yürürlükte olan yasalann izin vermesi halinde, Guillemot Corporation S.A. (bundan sonra "Guillemot" olarak ifade edilecektir) ve bağli olan aşağıdakilerin biri veya daha fazlasından kaynaklanan her türlü hasara karşı tüm sorumluluğu reddeder: (1) Ürün modifiye edilmişse, açılmışsa, üzerinde değişiklik yapılmışsa; (2) montaj talimatlarına uyulmamışsa; (3) uygunsuz veya kötü kullanım, ihmal, kaza (ömeğin bir darbe); (4) normal aşınma; (5) ürünün, evde kullanım dışında, profesyonel veya ticari maksatlı olanlar da dahil olmak üzere (ömeğin oyun salonları, eğitim, yarışlar) başka maksatlarla kullanılması. Yürürlükte olan yasalann izin vermesi halinde, Guillemot ve bağli olan ürünle ilgili malzeme veya üretim hatası ile ilgili olmayan her türlü hasara karşı tüm sorumluluğu reddeder (ancak bununla sınırlı kalmamak üzere, herhangi bir yazılımdan veya Thrustmaster ürününün herhangi bir uygun olmayan elemanla birleştirilmesinden doğrudan veya dolaylı olarak kaynaklanan tüm hasarlar, buna dahil olarak özellikle güç kaynakları, yeniden doldurulabilir piller, şarj cihazları veya bu ürün için Guillemot tarafından tedarik edilmiş tüm diğer elemanlar).

THRUSTMASTER®

TEKNİK DESTEK

<https://support.thrustmaster.com>



TELİF HAKKI

© 2020 Guillemot Corporation S.A. Tüm hakları saklıdır. Thrustmaster® Guillemot Corporation S.A'nın tescilli markasıdır.

AIRBUS, logosu ve ürün ve hizmet markaları Airbus'ın tescilli ticari markalarıdır. Tüm hakları saklıdır.

© Airbus 2020. Tüm hakları saklıdır. Resmi Airbus lisanslı.

Diğer tüm ticari markalar kendi sahiplerinin. Resimler bağlayıcı değildir. İçerik, tasarım ve özellikler önceden haber verilmeksizin değiştirilebilir ve bir ülkeden başka bir ülkeye değişiklik gösterebilir. Çin'de yapılmıştır.

ÇEVRE KORUMA ÖNERİLERİ



* Avrupa Birliği'nde: Cihazın kullanım ömrü sona erdiğinde, standart ev atıkları ile atılmamalı, geri dönüşüm için Atık Elektrikli ve Elektronik Cihazların toplandığı bir yere bırakılmalıdır.

Bu, ürünün, kullanım kılavuzunun veya paketin üzerinde bulunan sembol ile onaylanmıştır.

Özelliklerine bağlı olarak malzemeler geri dönüştürülebilir. Atık Elektrik ve Elektronik Cihazların geri dönüşümü veya diğer işleme yöntemleri sayesinde çevrenin korunmasına yönelik önemli bir katkıda bulunabilirsiniz. Size en yakın toplama merkezleri hakkında bilgi almak için lütfen yerel yetkililerle iletişime geçin.

Diğer ülkeler için: Lütfen elektrikli ve elektronik cihazların geri dönüşümü için yerel yasalara uyunuz.

AEEE Yönetmeliğine Uygundur.

Bu belgeyi saklayın. Renkler ve süslemeler değişiklik gösterebilir.

Plastik tutturucular ve bantlar, kullanmadan önce üründen çıkarılmalıdır.

Bu ürün 14 yaş veya üstü çocuklar ile ilgili tüm standartlara uygundur. Bu ürün, 14 yaşından küçük çocukların kullanımına uygun değildir.

www.thrustmaster.com

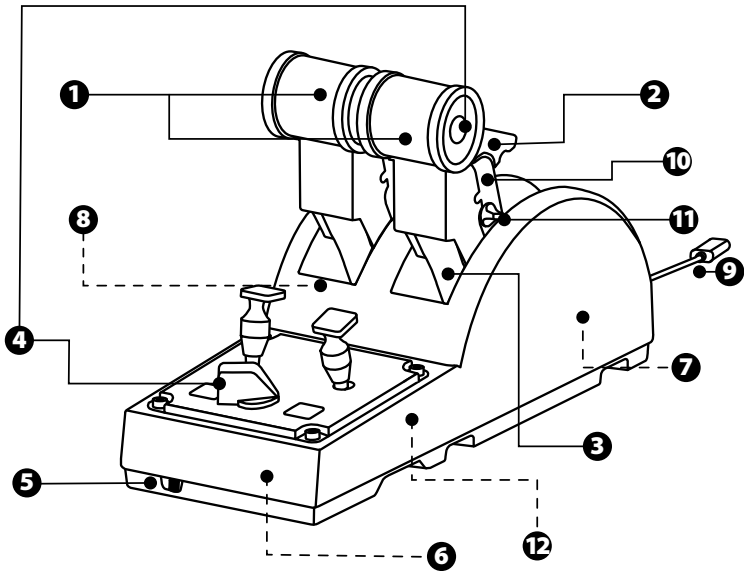
**Sadece AB ve Türkiye için geçerlidir*

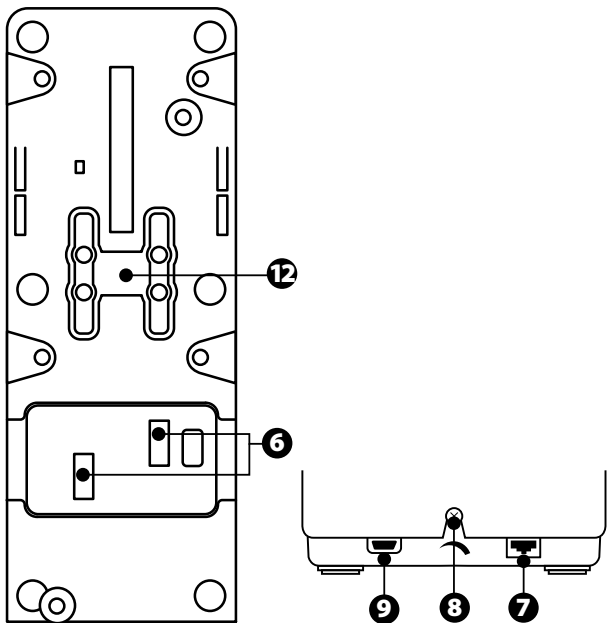


TCA QUADRANT AIRBUS EDITION

Instrukcja obsługi

ELEMENTY





- | | |
|--|---|
| <ol style="list-style-type: none"> 1. Osie X i Y przepustnicy 2. Mechanizm odwracacza ciągu na każdej osi 3. 4 zapadki na każdej osi —
4 przyciski wirtualne na każdej osi 4. 8 przycisków czynności 5. Wybierak silników: 1/2 lub 3/4 6. Złącza SATA umożliwiające podłączenie zewnętrznych modułów TCA Quadrant Add-On Airbus Edition (akcesorium dodatkowe do nabycia osobno) | <ol style="list-style-type: none"> 7. Złącze układu steru kierunku TFRP (do nabycia osobno) 8. Śruba regulacji tarcia 9. Złącze USB (typu B) 10. Umieszczenie poprzeczki 11. Mechanizm umożliwiający włączenie/wyłączenie odwracacza ciągu na każdej osi 12. Mechanizm umożliwiający włączenie/wyłączenie zapadek na każdej osi |
|--|---|

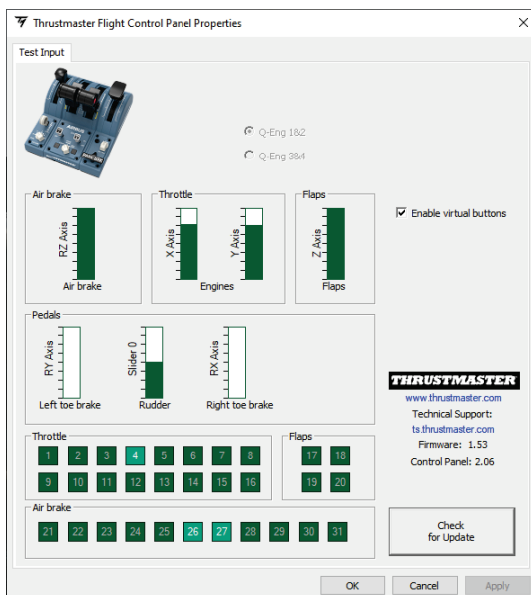
INSTALACJA NA KOMPUTERZE PC

1. Wejdź na stronę <https://support.thrustmaster.com/>. Kliknij **Joysticks / TCA Quadrant Airbus Edition** i wybierz **Drivers**. Pobierz i zainstaluj sterownik dla komputera PC i jego specjalny interfejs przeznaczony do Panelu sterowania systemu Windows.
2. Po zainstalowaniu sterownika na komputerze PC podłącz złącze USB urządzenia do jednego z portów USB w komputerze.
3. Aby uzyskać dostęp do Panelu sterowania, kliknij **Start / Aplikacje / Thrustmaster / Panel sterowania** (w systemie Windows® 10 / 8.1 / 8).

Pojawi się okno dialogowe **Kontrolery gier**.

Akcesorium będzie widoczne na ekranie pod nazwą **TCA Q-Eng 1&2** (lub **TCA Q-Eng 3&4**, zależnie od położenia wybieraka silników [5]) i ze stanem **OK**.

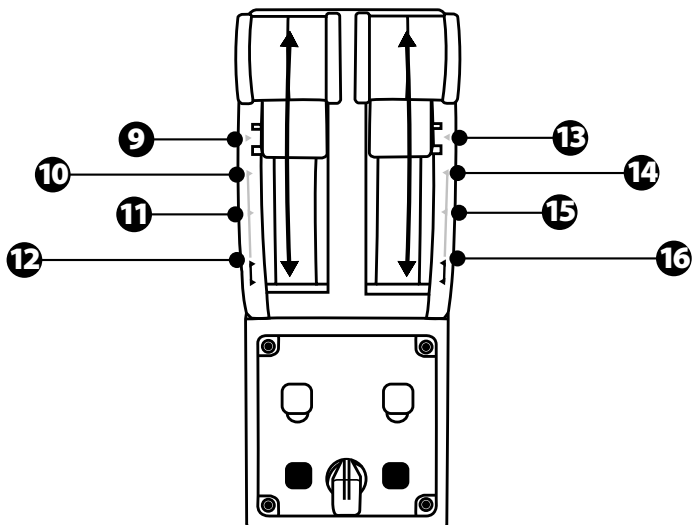
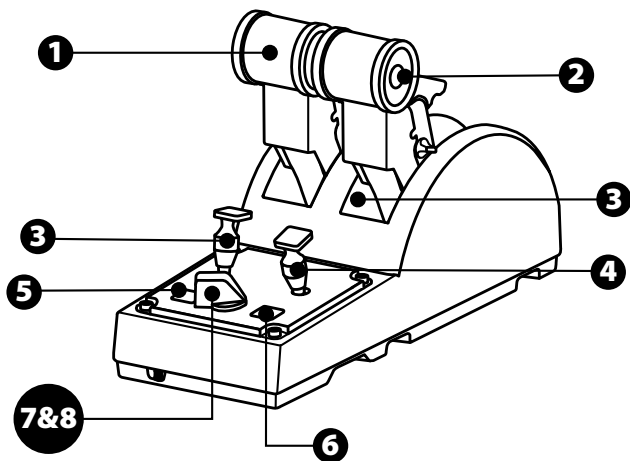
4. W oknie dialogowym **Kontrolery gier** kliknij **Właściwości**, aby przetestować i wyświetlić wszystkie funkcje.

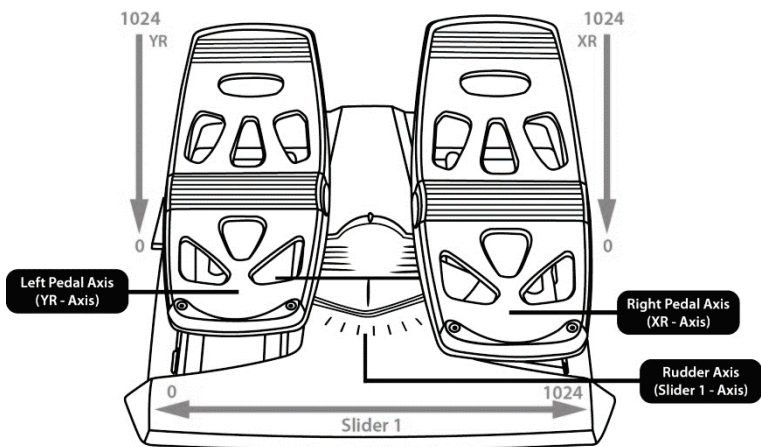
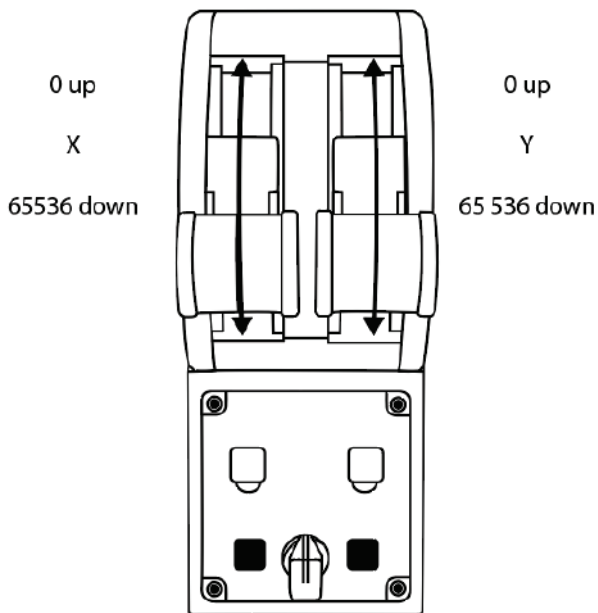


Enable virtual buttons (Włącz przyciski wirtualne): ta funkcja pozwala włączyć lub wyłączyć przyciski wirtualne na osi przepustnicy. Po wybraniu trybu kliknij **Apply** (Zastosuj).

Teraz możesz zacząć grać!

MAPOWANIE 16 PRZYCISKÓW I 2 OSI



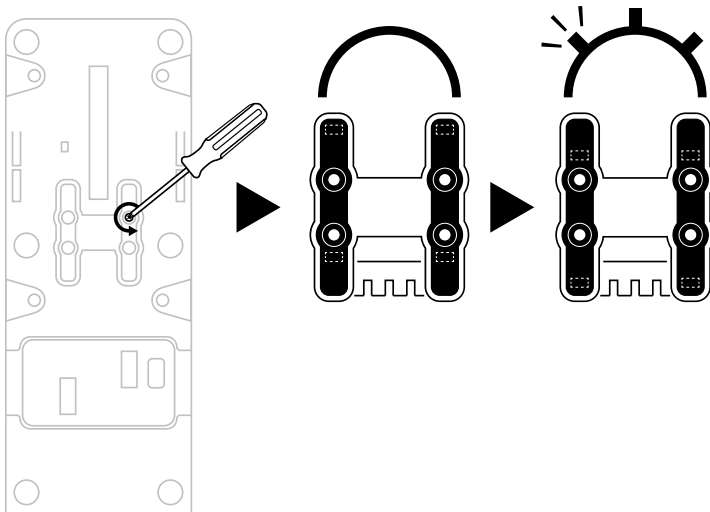


WPROWADZANIE ZMIAN W OSIACH PANELU PRZEPUSTNICY TCA QUADRANT AIRBUS EDITION

Panel przepustnicy TCA Quadrant Airbus Edition zawiera wybieraki mechaniczne, które umożliwiają wyłączenie zapadek/wycięć na każdej osi. W ten sposób można uzyskać osie liniowe z zachowaniem przycisków wirtualnych 9–16.

Element ten pozwala dostosować wrażenia związane z pilotowaniem do typu samolotu (komercyjnego lub cywilnego) używanego podczas symulacji.

1. Obróć panel przepustnicy TCA Quadrant Airbus Edition dołem do góry i odkręć dwie śruby każdego z wybieraków, używając śrubokręta z końcówką o odpowiednim kształcie.
2. Zmień położenie wybieraków, posługując się wskaźnikami. W ten sposób możesz wybrać oś liniową lub oś z zapadekami/wycięciami w przypadku każdej osi panelu przepustnicy TCA Quadrant Airbus Edition.

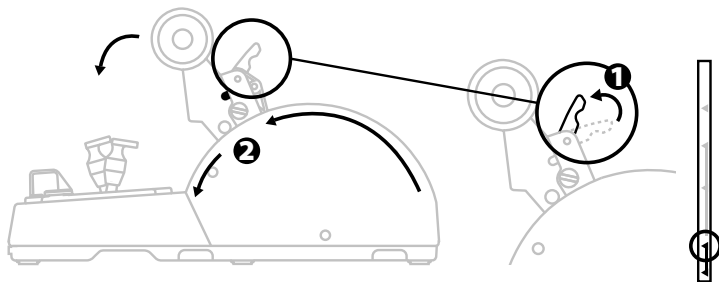


WYŁĄCZANIE ODWRACACZY CIĄGU W PANELU PRZEPUSTNICY TCA QUADRANT AIRBUS EDITION

Panel przepustnicy TCA Quadrant Airbus Edition jest wyposażony w odwracacze ciągu, które są wiernym odwzorowaniem odwracaczy dostępnych w dźwigniach przepustnicy komercyjnych samolotów Airbus. Mechanizm odwracacza ciągu można wyłączyć, aby uzyskać konfigurację odpowiedniejszą do pilotowania samolotów cywilnych.

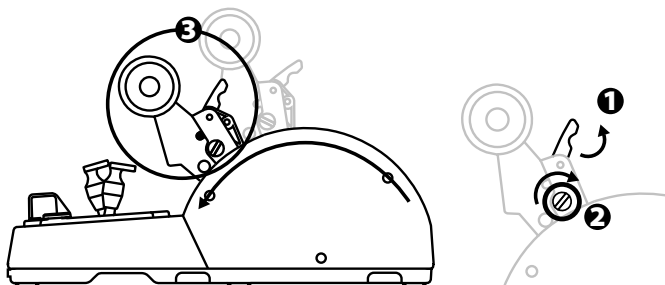
Tryb komercyjnego samolotu pasażerskiego:

1. W położeniu ogranicznika podnieś mechanizm odwracacza ciągu.
2. Przesunięciem dźwigni za ogranicznik pozwala skorzystać z odwracacza ciągu.



Tryb ogólny i samolotu cywilnego:

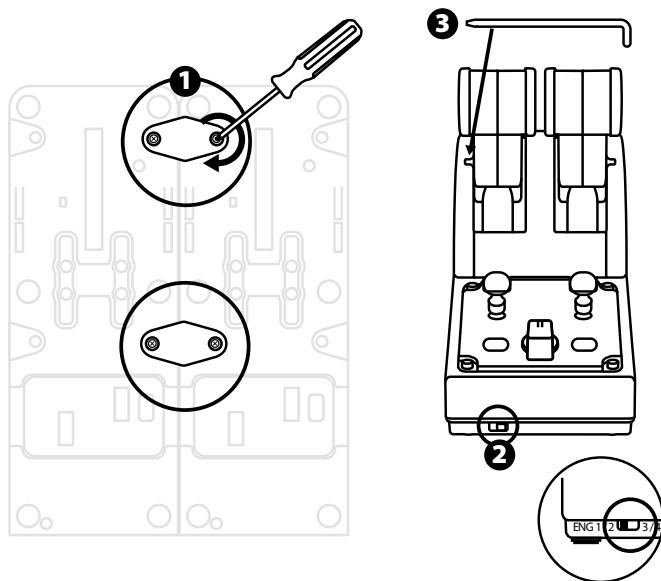
1. Podnieś mechanizm odwracacza ciągu.
2. Obróć wybierak w położenie 0, aby wyłączyć mechanizm odwracacza ciągu.
3. Teraz dźwignię ciągu możesz przesuwac wzdłuż całej osi.



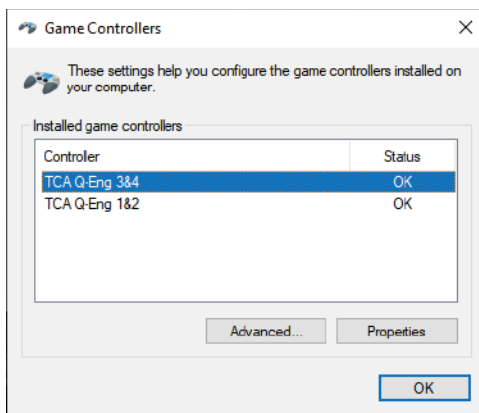
ŁĄCZENIE DWÓCH PANELI PRZEPUSTNICZY TCA QUADRANT AIRBUS EDITION

Do posiadanego panelu można dołączyć drugi panel przepustnicy TCA Quadrant Airbus Edition (do nabycia osobno). Pozwala to uzyskać łącznie 4 osie i symulować na przykład czterosiłnikowy komercyjny samolot pasażerski.

1. Obróć oba panele przepustnicy TCA Quadrant Airbus Edition dołem do góry i przykręć dwa elementy dodatkowe dostarczone z panelem TCA Quadrant Airbus Edition, aby połączyć oba urządzenia.
2. W drugim panelu przepustnicy fizycznie ustaw wybierak w położeniu 3/4, aby powiązać silniki 3 i 4 z drugim panelem przepustnicy (w Panelu sterowania na komputerze PC).
3. Połącz osie parami (1/2 i 3/4), aby ułatwić ich jednoczesne przesuwanie, korzystając z poprzeczki dostarczonej z każdym panelem TCA Quadrant Airbus Edition.

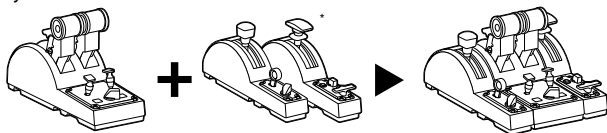


4. Gdy oba urządzenia zostaną podłączone do komputera za pośrednictwem złącza USB, w oknie dialogowym **Kontrolery gier** będą wyświetlane osobno:



ŁĄCZENIE PANELU PRZEPUSTNICY TCA QUADRANT AIRBUS EDITION Z MODUŁAMI TCA QUADRANT ADD-ON AIRBUS EDITION*

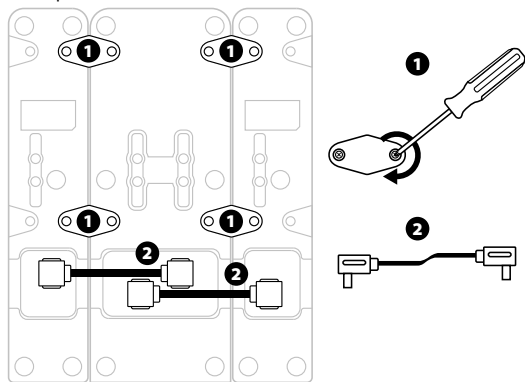
*Do nabycia osobno



Panel przepustnicy TCA Quadrant Airbus Edition umożliwia dołączenie dodatkowych modułów TCA Quadrant Add-On Airbus Edition (do nabycia osobno). Moduły te dołącza się po obu stronach panelu TCA Quadrant Airbus Edition.

To modułowe rozwiązanie zapewnia dodatkowe osie i przyciski czynności oraz pozwala wzbogacić kinematykę startu, lotu i lądowania w panelu przepustnicy TCA Quadrant Airbus Edition.

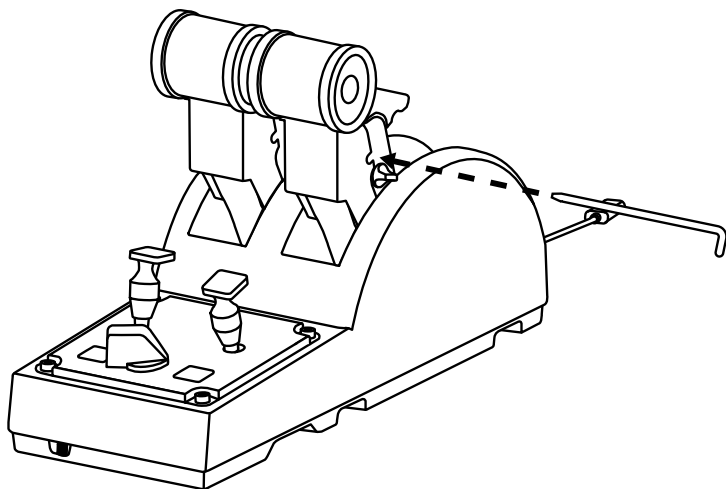
1. Obróć panel przepustnicy TCA Quadrant Airbus Edition i dwa dodatkowe moduły TCA Quadrant Add-On Airbus Edition dołem do góry i (korzystając ze śrubokręta z końcówką o odpowiednim kształcie) przykręć cztery elementy dodatkowe dostarczone z panelem przepustnicy TCA Quadrant Airbus Edition i modułami TCA Quadrant Add-On Airbus Edition w celu połączenia ze sobą wszystkich trzech urządzeń: modułu hamulca aerodynamicznego po lewej stronie panelu TCA Quadrant Airbus Edition oraz modułu kłap po jego prawej stronie.
2. Podłącz kable SATA dostarczone z modułami TCA Quadrant Add-On Airbus Edition do złączy SATA w panelu TCA Quadrant Airbus Edition.



- Aby uniknąć uszkodzenia urządzeń, do przykręcania/odkręcania śrub używaj śrubokręta z końcówką o odpowiednim kształcie.
- Używaj wyłącznie oficjalnych kabli dostarczonych przez firmę Thrustmaster.

ŁĄCZENIE/ROZDZIELANIE DWÓCH DŹWIGNI CIĄGU

Połącz dwie dźwignie ciągu przy użyciu poprzeczki dostarczonej z panelem przepustnicy TCA Quadrant Airbus Edition.



EN

FR

DE

NL

IT

ES

PT

RU

CS

TR

PL

日本語

繁體中文

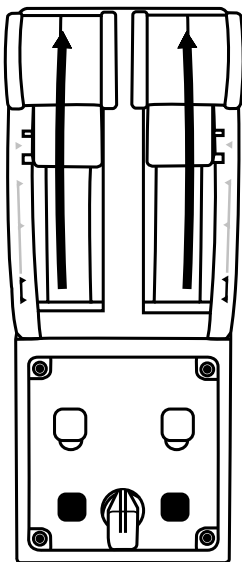
한국어

العربية

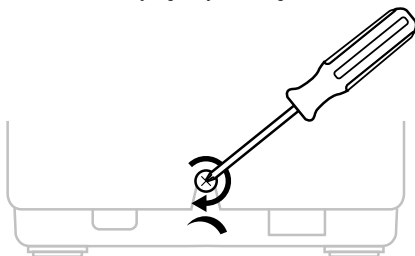
REGULOWANIE SIŁY TARCIA

WAŻNE UWAGI:

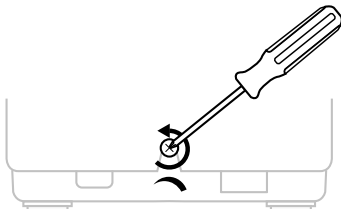
- Tarcie dwóch dźwigni ciągu jest domyślnie ustawione na 50%.
- Aby precyzyjnie wyregulować tarcie zgodnie z osobistymi preferencjami, możesz skorzystać ze śruby regulacji tarcia, obracając ją śrubokrętem z końcówką o odpowiednim kształcie lub dostarczoną poprzeczką.



1. Przesuń obie dźwignie ciągu w położenie odpowiadające wartości maksymalnej, a następnie skorzystaj ze śruby regulacji tarcia umieszczonej z tyłu panelu TCA Quadrant Airbus Edition.
2. Aby zwiększyć tarcie, obróć śrubę regulacji tarcia zgodnie z ruchem wskazówek zegara.



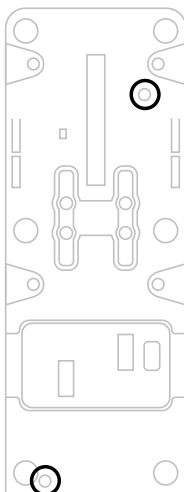
3. Aby zmniejszyć tarcie, obróć śrubę regulacji tarcia przeciwnie do ruchu wskazówek zegara.



- Aby nie uszkodzić układu tarcia, uważaj, aby nie dokręcić śruby regulacyjnej zbyt mocno: gdy poczujesz opór, przestań obracać śrubę.
- Nigdy nie wykręcaj całkowicie śruby regulacyjnej, aby nie wpadła ona do środka panelu TCA Quadrant Airbus Edition.

MOCOWANIE PANELU PRZEPUSTNICY TCA QUADRANT AIRBUS EDITION DO KOKPITU LUB INNEJ NIERUCHOMEJ POWIERZCHNI

Dwa otwory umieszczone na spodzie panelu TCA Quadrant Airbus Edition umożliwiają jego zamocowanie do kokpitu lub innej nieruchomej powierzchni przy użyciu śrub M6 (do nabycia osobno).



ŁĄCZENIE UKŁADU STERU KIERUNKU TFRP* Z PANELEM PRZEPUSTNICZY TCA QUADRANT AIRBUS EDITION

**Do nabycia osobno*

Panel przepustnicy TCA Quadrant Airbus Edition ma 7 osi, z czego 3 są zarezerwowane dla układu steru kierunku TFRP.

Układ steru kierunku TFRP podłącza się bezpośrednio do panelu przepustnicy TCA Quadrant Airbus Edition.

1. Podłącz złącze męskie RJ12 układu steru kierunku TFRP do złącza żeńskiego RJ12 umieszczonego z tyłu panelu przepustnicy TCA Quadrant Airbus Edition.
2. Połącz złącze USB panelu przepustnicy TCA Quadrant Airbus Edition z jednym z portów USB w komputerze.

Ważne uwagi dotyczące automatycznej kalibracji osi:

- Dopilnuj, aby podczas podłączania układu steru kierunku TFRP do panelu przepustnicy TCA Quadrant Airbus Edition oś steru kierunku znajdowała się w położeniu środkowym: w trakcie wykonywania tej czynności nie stawiaj stóp na pedałach steru kierunku TFRP.
- Trzy osie pedałów, czyli oś steru kierunku i osie 2 hamulców różnicowych, kalibrują się automatycznie po kilku ruchach oraz po osiągnięciu fizycznych blokad na każdej z osi.

ZAAWANSOWANA APLIKACJA DO PROGRAMOWANIA T.A.R.G.E.T (Thrustmaster Advanced pRogramming Graphical EdiT or)

Wejdź na stronę <https://support.thrustmaster.com>. Kliknij **Joysticks / TCA Quadrant Airbus Edition** i wybierz **Software**. Pobierz i zainstaluj zaawansowaną aplikację do programowania T.A.R.G.E.T.

Główne cechy i funkcje aplikacji T.A.R.G.E.T:

- Różne konfiguracje osi
- Różne poziomy programowania: Basic, Advanced i Script
- Korzystanie z techniki przeciągania i upuszczania
- Możliwość łączenia panelu przepustnicy TCA Quadrant Airbus Edition z różnymi joystickami Thrustmaster (HOTAS Cougar, HOTAS Warthog, T.16000M, MFD Cougar Pack — również zgodnymi z aplikacją T.A.R.G.E.T), dzięki czemu są one rozpoznawane jako jedno urządzenie USB
- Dostęp do zaawansowanych profili tworzonych przez członków społeczności Thrustmaster



ROZWIĄZYWANIE PROBLEMÓW I OSTRZEŻENIA

- **Panel przepustnicy TCA Quadrant Airbus Edition nie działa prawidłowo lub wydaje się niewłaściwie skalibrowany.**
 - Wyłącz komputer i odłącz złącze USB panelu przepustnicy TCA Quadrant Airbus Edition. Następnie ponownie podłącz złącze USB, włącz komputer i uruchom ponownie grę.
 - Jeśli korzystasz z układu steru kierunku TFRP (do nabycia osobno), podczas podłączania złącza USB panelu przepustnicy TCA Quadrant Airbus Edition oś steru kierunku musi się znajdować w położeniu środkowym: w trakcie wykonywania tej czynności nie stawiaj stóp na pedałach steru kierunku TFRP.
- **Nie mogę skonfigurować panelu przepustnicy TCA Quadrant Airbus Edition.**
 - W menu opcji/kontrolera/gamepada/joysticka dostępnym w grze wybierz odpowiednią konfigurację lub całkowicie przekonfiguruj opcje kontrolera.
 - Więcej informacji znajdziesz w instrukcji obsługi gry lub jej pomocy online.
 - Skorzystaj z zaawansowanej aplikacji do programowania T.A.R.G.E.T (Thrustmaster Advanced pRogramming Graphical EdiTα).
- **Panel przepustnicy TCA Quadrant Airbus Edition jest zbyt czuły lub niewystarczająco czuły.**
 - Oś panelu przepustnicy TCA Quadrant Airbus Edition kalibrują się automatycznie po kilku ruchach i po osiągnięciu swoich blokad fizycznych.
 - W menu opcji/kontrolera/gamepada/joysticka dostępnym w grze ustaw odpowiednią czułość i martwe strefy kontrolera (jeśli tego rodzaju opcje są dostępne).
 - Skorzystaj z zaawansowanej aplikacji do programowania T.A.R.G.E.T (Thrustmaster Advanced pRogramming Graphical EdiTα).



To urządzenie jest przeznaczone wyłącznie do grania w celach rozrywkowych. Jego używanie do szkoleń o charakterze zawodowym jest surowo zabronione.

INFORMACJE DOTYCZĄCE GWARANCJI DLA KLIENTA

Firma Guillemot Corporation S.A. z siedzibą pod adresem Place du Granier, B.P. 97143, 35571 Chantepie, Francja („Guillemot”) udziela klientowi obowiązującej na całym świecie gwarancji, że niniejszy produkt Thrustmaster będzie wolny od wad materiałowych i produkcyjnych przez okres gwarancji równy limitowi czasu, w którym klient może występować z roszczeniami z tytułu wad niniejszego produktu. W krajach Unii Europejskiej jest to okres dwóch (2) lat od dostarczenia produktu Thrustmaster. W innych krajach okres gwarancji jest równy limitowi czasu, w którym klient może występować z roszczeniami z tytułu wad produktu Thrustmaster zgodnie z przepisami obowiązującymi w kraju, w którym klient mieszkał w dniu zakupu produktu Thrustmaster. (Jeśli przepisy danego kraju nie przewidują występowania z takimi roszczeniami, okres gwarancji będzie wynosił jeden (1) rok od pierwotnej daty zakupu produktu Thrustmaster).

Jeśli w okresie gwarancji wystąpią objawy mogące świadczyć o wadzie produktu, należy niezwłocznie skontaktować się z działem pomocy technicznej, który wskaże dalszy sposób postępowania. W razie potwierdzenia wady produkt należy zwrócić w punkcie zakupu (lub innym miejscu wskazanym przez dział pomocy technicznej).

W ramach niniejszej gwarancji wadliwy produkt zostanie wymieniony lub przywrócony do stanu sprawności użytkowej, zgodnie z decyzją działu pomocy technicznej. Jeśli w okresie gwarancji produkt Thrustmaster zostanie poddany czynnościom mającym na celu przywrócenie go do stanu użytkowego, dowolny okres co najmniej siedmiu (7) dni, podczas których produkt nie jest użytkowany, zostanie dodany do pozostałego okresu gwarancji (okres ten liczy się od dnia, w którym klient poprosi o interwencję, lub od dnia, w którym dany produkt zostanie udostępniony celem przywrócenia do stanu użytkowego, jeśli data udostępnienia celem przywrócenia do stanu użytkowego następuje po dacie prośby o interwencję). Jeśli zezwala na to obowiązujące prawo, całkowita odpowiedzialność firmy Guillemot i jej podmiotów zależnych (łącznie z odpowiedzialnością za szkody wtórne) ogranicza się do przywrócenia do stanu użytkowego lub wymiany produktu Thrustmaster. Jeśli zezwala na to obowiązujące prawo, firma Guillemot wyłącza wszelkie gwarancje pokupności i przydatności do określonego celu.

Niniejsza gwarancja nie obowiązuje: (1) w przypadku, gdy produkt został zmodyfikowany, otwarty, zmieniony albo uszkodzony na skutek nieodpowiedniego lub nadmiernego użytkowania, niedbałości, wypadku, normalnego zużycia lub z innego powodu niezwiązanego z wadą materiałową ani produkcyjną (w tym między innymi z powodu połączenia produktu Thrustmaster z nieodpowiednim elementem, w tym w szczególności z zasilaczem, akumulatorem, ładowarką lub jakimkolwiek innym elementem niedostarczonym przez firmę Guillemot dla tego produktu); (2) w przypadku używania produktu w sposób inny niż użytek domowy, w tym do celów zawodowych lub komercyjnych (na przykład w salonach gier albo do prowadzenia szkoleń lub zawodów); (3) w razie nieprzestzegania instrukcji podanych przez dział pomocy technicznej; (4) w odniesieniu do oprogramowania, jako że oprogramowanie to jest objęte odrębną szczegółową gwarancją; (5) w odniesieniu do materiałów eksploatacyjnych (elementów wymienianych w czasie eksploatacji produktu, na przykład baterii jednorazowych, muszli/nakładek na uszy do zestawów słuchawkowych lub słuchawek); (6) w odniesieniu do akcesoriów (na przykład kabli, pokrowców, etui, torebek, pasków na rękę); (7) w przypadku sprzedania produktu na aukcji publicznej.

Niniejsza gwarancja nie podlega przeniesieniu.

Niniejsza gwarancja nie wpływa na prawa klienta wynikające z przepisów dotyczących sprzedaży dóbr konsumenckich w kraju klienta.

Dodatkowe postanowienia gwarancyjne

W okresie gwarancji firma Guillemot zasadniczo nie udostępnia jakichkolwiek części zamiennych, ponieważ jedynym podmiotem upoważnionym do otwarcia jakiegokolwiek produktu Thrustmaster i/lub przywrócenia go do stanu użytkowego jest dział pomocy technicznej (oprócz ewentualnych procedur przywracania produktu do stanu użytkowego, o wykonanie których dział pomocy technicznej może poprosić klienta przez przekazanie pisemnych instrukcji — np. ze względu na prostotę i jawność procesu przywracania do stanu użytkowego — oraz, w razie potrzeby, przez udostępnienie klientowi wymaganych części zamiennych).

Ze względu na realizowane cykle innowacji oraz konieczność zapewnienia ochrony swojej specjalistycznej wiedzy i tajemnic handlowych firma Guillemot zasadniczo nie udostępnia powiadomień dotyczących przywracania do stanu użytkowego ani części zamiennych w przypadku produktów Thrustmaster, których okres gwarancji upłynął.

Odpowiedzialność

Jeśli zezwała na to obowiązujące prawo, firma Guillemot Corporation S.A. („Guillemot”) i jej podmioty zależne nie ponoszą żadnej odpowiedzialności za szkody spowodowane przez co najmniej jeden z następujących czynników: (1) modyfikację lub otwarcie produktu bądź wprowadzenie w nim zmian; (2) nieprzestrzeganie instrukcji montażu; (3) nieodpowiednie lub nadmierne użytkowanie, niedbałość, wypadek (na przykład uderzenie); (4) normalne zużycie; (5) używanie produktu w sposób inny niż użytek domowy, w tym do celów zawodowych lub komercyjnych (na przykład w salonach gier albo do prowadzenia szkoleń lub zawodów). Jeśli zezwała na to obowiązujące prawo, firma Guillemot i jej podmioty zależne nie ponoszą żadnej odpowiedzialności za szkody niezwiązane z wadą materiałową lub produkcyjną produktu (w tym między innymi za szkody spowodowane bezpośrednio lub pośrednio przez jakiegokolwiek oprogramowanie lub na skutek połączenia produktu Thrustmaster z nieodpowiednim elementem, w tym w szczególności z zasilaczem, akumulatorem, ładowarką lub jakimkolwiek innym elementem niedostarczonym przez firmę Guillemot dla tego produktu).

THRUSTMASTER®

POMOC TECHNICZNA

<https://support.thrustmaster.com>



PRAWA AUTORSKIE

© 2020 Guillemot Corporation S.A. Wszelkie prawa zastrzeżone. Thrustmaster® jest zastrzeżonym znakiem towarowym firmy Guillemot Corporation S.A.

AIRBUS, powiązane logo oraz znaki produktów i usług są zastrzeżonymi znakami towarowymi firmy Airbus. Wszelkie prawa zastrzeżone.

© Airbus 2020. Wszelkie prawa zastrzeżone. Produkt na oficjalnej licencji firmy Airbus.

Wszystkie inne znaki towarowe stanowią własność odpowiednich podmiotów. Ilustracje nie są wiążące prawnie. Treść, wzory i dane techniczne przedstawione w instrukcji mogą ulec zmianie bez powiadomienia i mogą różnić się w zależności od kraju. Wyprodukowano w Chinach.

ZALECENIE DOTYCZĄCE OCHRONY ŚRODOWISKA



* Na terenie Unii Europejskiej: gdy okres przydatności produktu do eksploatacji dobiegnie końca, produktu nie należy pozbywać się wraz ze zwykłymi odpadami z gospodarstwa domowego, ale oddać do recyklingu w punkcie zbiórki zużytego sprzętu elektrycznego i elektronicznego. Potwierdza to symbol znajdujący się na produkcie, w instrukcji obsługi lub na opakowaniu.

Zależnie od swoich właściwości materiały zawarte w produkcie mogą nadawać się do recyklingu. Dzięki recyklingowi i innym formom utylizacji zużytych urządzeń elektrycznych i elektronicznych klient może w znacznym stopniu przyczynić się do ochrony środowiska. Aby uzyskać informacje o najbliższych punktach zbiórki odpadów, należy skontaktować z miejscowymi władzami.

We wszystkich innych krajach: należy przestrzegać miejscowych przepisów dotyczących recyklingu sprzętu elektrycznego i elektronicznego.

Niniejsze informacje należy zachować. Kolorystyka i elementy ozdobne mogą różnić się od przedstawionych.

Przed korzystaniem z produktu należy zdjąć z niego plastikowe elementy mocujące oraz naklejki.

Produkt spełnia wszystkie standardy dotyczące dzieci w wieku minimum 14 lat. Produkt nie jest przeznaczony dla dzieci poniżej 14 roku życia.

www.thrustmaster.com

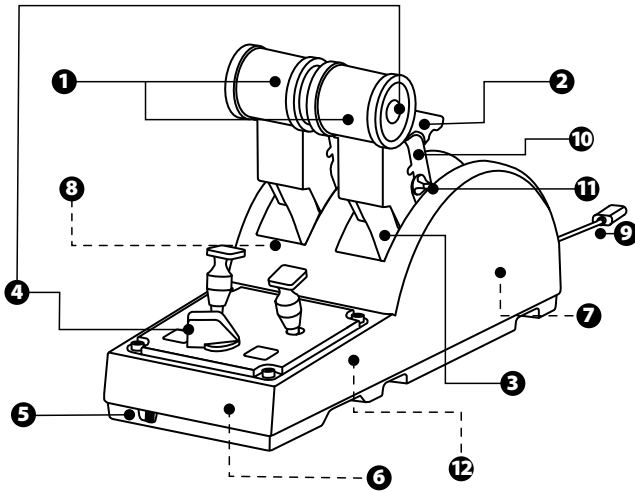
**Dotyczy wyłącznie UE i Turcji*

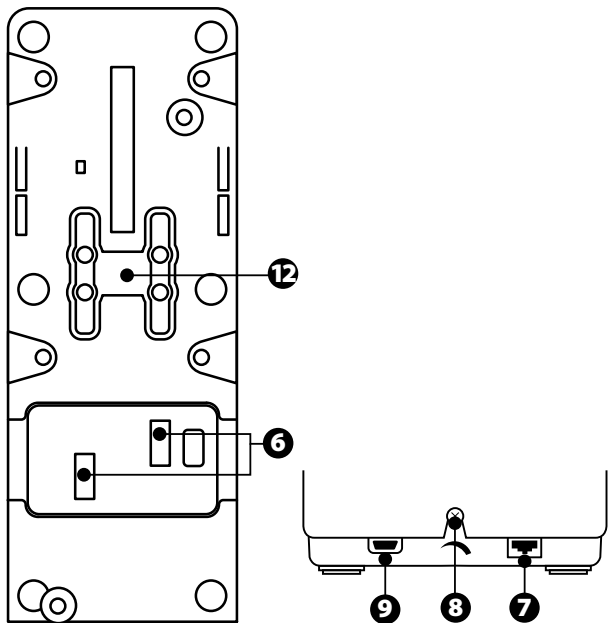


TCA QUADRANT AIRBUS EDITION

ユーザーズマニュアル

技術仕様





- | | |
|---|--|
| <ol style="list-style-type: none"> 1. スロットル用 X・Y 軸 2. 各軸にスラストリバーサー機構搭載 3. 各軸にディテント 4 個 - 各軸に 4 個の仮想ボタン 4. アクションボタン 8 個 5. エンジン用セレクタースイッチ: 1/2 または 3/4 6. 外付け TCA Quadrant Add-On Airbus Edition モジュール用 SATA コネクター (アドオンは別売) | <ol style="list-style-type: none"> 7. TFRP ラダーシステム用コネクター (別売) 8. 摩擦調整ねじ 9. USB コネクター (タイプ B) 10. クロスバー位置 11. 各軸のスラストリバーサーを有効/無効に切り替えるための機構 12. 各軸のディテントを有効/無効に切り替えるための機構 |
|---|--|

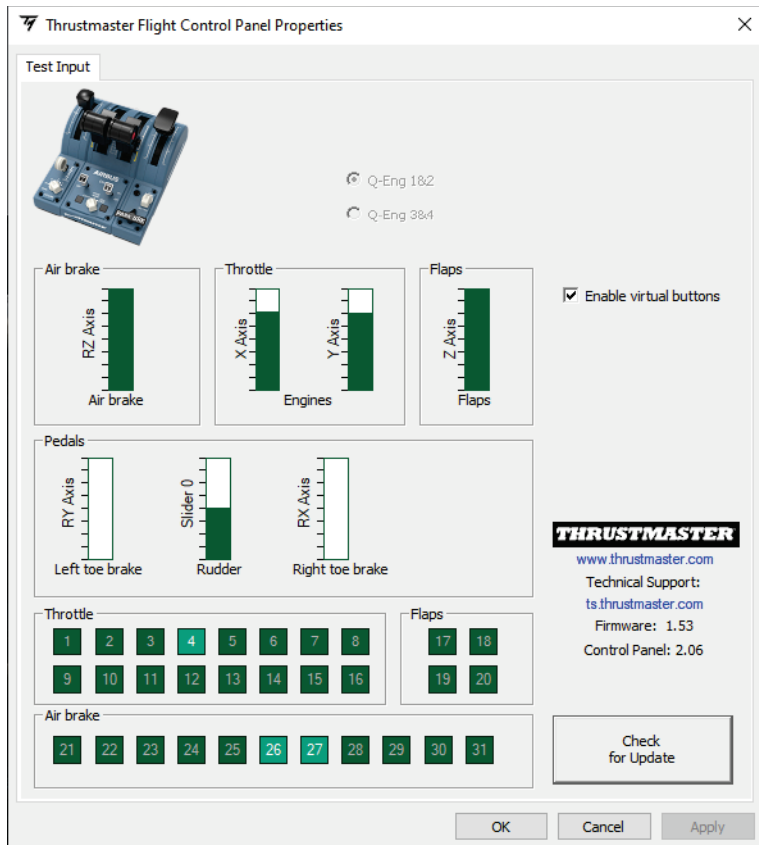
PC に取り付ける

1. サイト <https://support.thrustmaster.com/> にアクセスします。[ジョイスティック] / [TCA Quadrant Airbus Edition] をクリックし、[ドライバ] を選択します。PCドライバとWindowsコントロールパネル用にカスタマイズされたインターフェースをダウンロードし、インストールしてください。
2. PCドライバがインストールされたら、デバイスのUSBコネクタをPCのUSBポートの1つに接続します。
3. コントロールパネルにアクセスするには、[スタート] / [アプリケーション] / [Thrustmaster] / [コントロールパネル] をクリックします (Windows® 10 / 8.1 / 8 の場合)。

「ゲームコントローラー」ダイアログボックスが表示されます。

この製品は、画面上に *TCA Q-Eng 1&2* (または *TCA Q-Eng 3&4*、エンジンのセレクタースイッチ [5] のポジションによる) という名前で OK ステータスと共に表示されます。

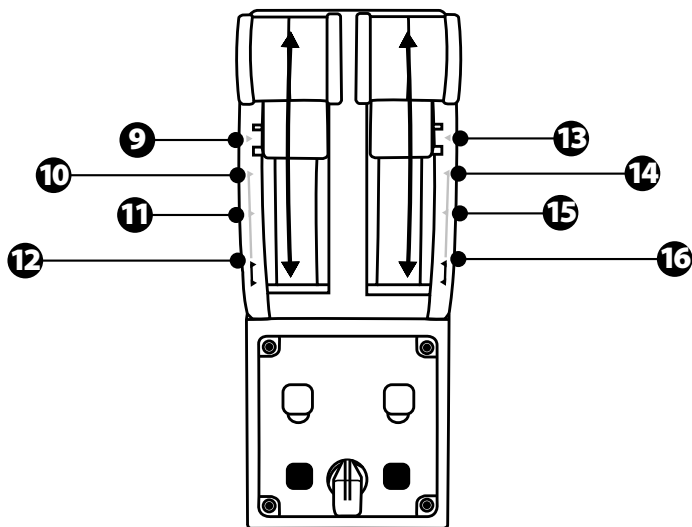
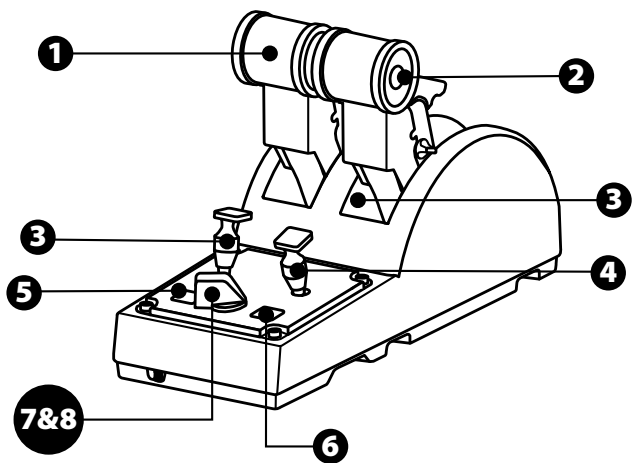
4. 「ゲームコントローラー」ダイアログボックスで「プロパティ」をクリックして、すべての機能を表示・テストします。

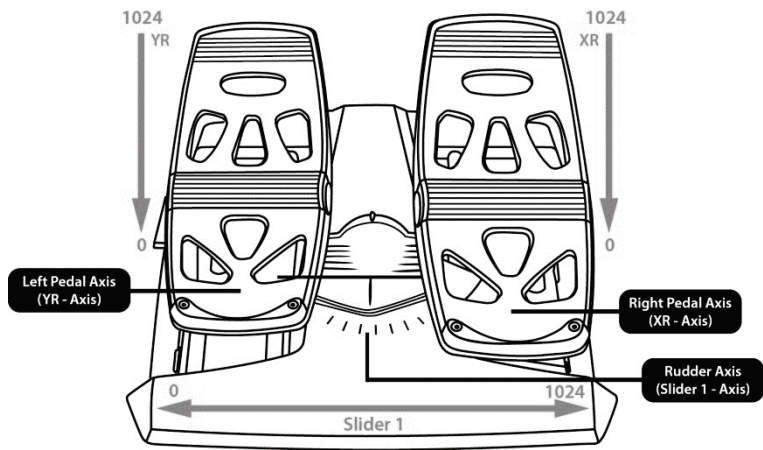
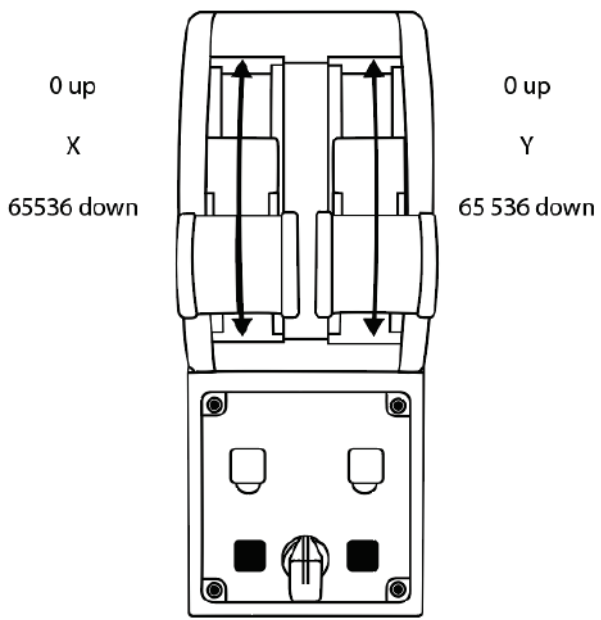


Enable virtual buttons (仮想ボタンを有効にする): スロットルの軸上の仮想ボタンを有効/無効にすることができます。モードを選択したら **Apply** (適用) をクリックします。

これでプレイの準備ができました！

ボタン 16 個および 2 軸のマッピング



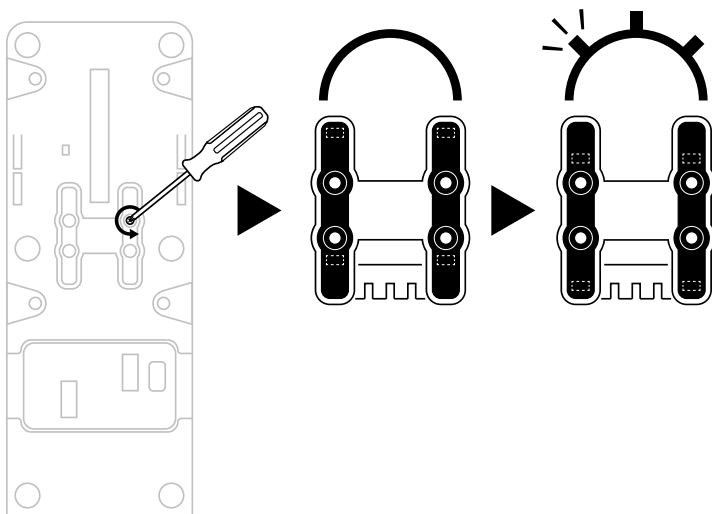


TCA QUADRANT AIRBUS EDITION スロットルクアドラントの軸の変更について

TCA Quadrant Airbus Edition スロットルクアドラントは、各軸のディテント/ノッチを無効にできる機械的セレクターを搭載しています。それにより、仮想ボタン9～16を維持しながら、滑らかな軸を保つことができます。

このオプションでは、シミュレーションで使用する航空機（商用航空機や民間旅客機など）の種類に応じて操縦のフィーリングを変更することができます。

1. TCA Quadrant Airbus Edition を逆さにして、対応するヘッド形状のドライバーを使ってセレクターのネジを2本ずつ外します。
2. インジケータを参考にしてセレクターのポジションを切り替えます：これにより、TCA Quadrant Airbus Edition スロットルクアドラントの各軸に対して、滑らかな軸、あるいはディテント/ノッチ付きの軸のいずれかを選択することができます。

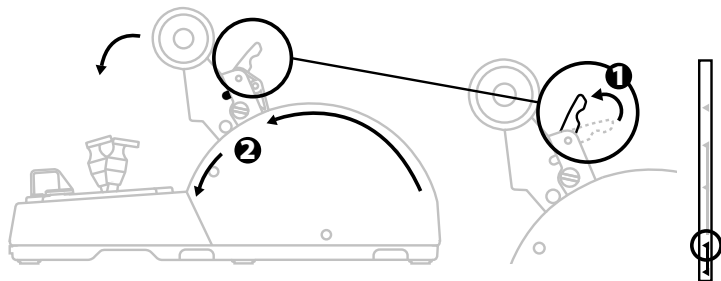


TCA QUADRANT AIRBUS EDITION スロットルクアドラントのスラストリバーサーを無効にする

TCA Quadrant Airbus Edition スロットルクアドラントは、Airbus 商用航空機のスロットルを忠実に再現した機能的なスラストリバーサーを特長としています。また、スラストリバーサー機構を無効にして、より民間航空に適した操縦を行うことも可能です。

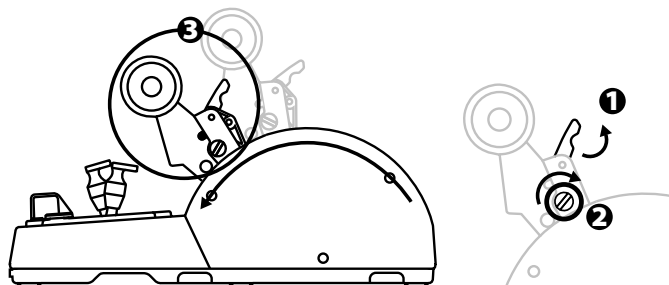
商用航空機モード:

1. ストップ時に、スラストリバーサー機構を持ち上げます。
2. ストップを超えて動かすと、スラストリバーサーを使用することができます。

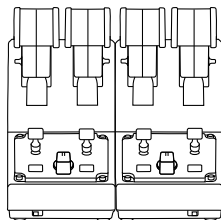


一般・民間航空モード:

1. スラストリバーサー機構を持ち上げます。
2. セレクターのポジションを0まで回して、スラストリバーサー機構を無効にします。
3. スラストレバーを軸全体で動かせるようになりました。

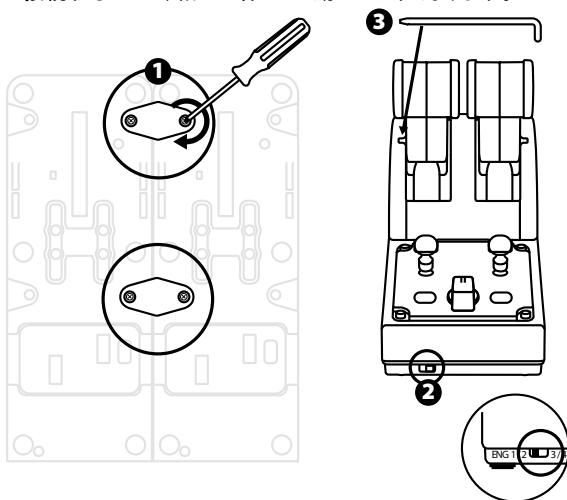


2 台の TCA QUADRANT AIRBUS EDITION スロットルクアドラントの接続

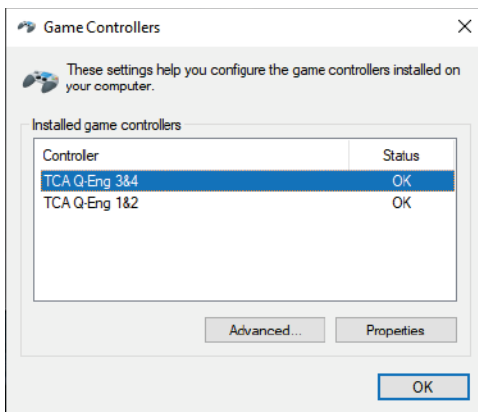


別売の TCA Quadrant Airbus Edition スロットルクアドラントをもう 1 台接続することができます:これにより合計 4 軸を使用できるため、4 基エンジンの商用航空機などをシミュレートすることが可能になります。

1. TCA Quadrant Airbus Edition スロットルクアドラントを逆さにして、TCA Quadrant Airbus Edition に付属している 2 個のアタッチメントをねじ留めすることで、2 台のデバイスを固定します。
2. 2 台めのスロットルクアドラントで、セレクタースイッチを 3/4 に設定して、エンジン 3 と 4 をこのスロットルクアドラントに(PC のコントロールパネル内で) 関連付けます。
3. 各 TCA Quadrant Airbus Edition に付属しているクロスパーで軸をペア (1/2 と 3/4) で接続することで、軸が一体として動かしやすくなります。

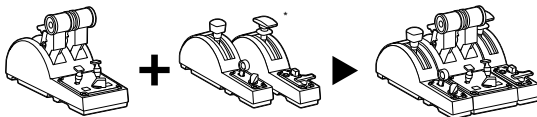


4. 両方のデバイスをUSBでPCに接続すると、「ゲームコントローラー」ダイアログボックスにそれぞれが独立して表示されます:



TCA QUADRANT AIRBUS EDITION スロットルクアドラント を TCA QUADRANT ADD-ON AIRBUS EDITION* に接続 する

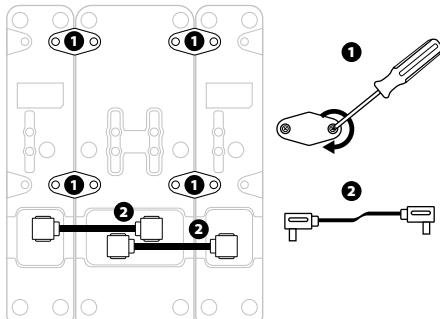
*別売



TCA Quadrant Airbus Edition スロットルクアドラントを使用すると、TCA Quadrant Airbus Edition の両側に追加の TCA Quadrant Add-On Airbus Edition モジュール (別売) を接続することができます。

このモジュラーシステムにより、新たな軸とアクションボタンを追加し、TCA Quadrant Airbus Edition スロットルクアドラントを使った離陸、フライト、そして着陸時におけるキネマティクスを拡張することができます。

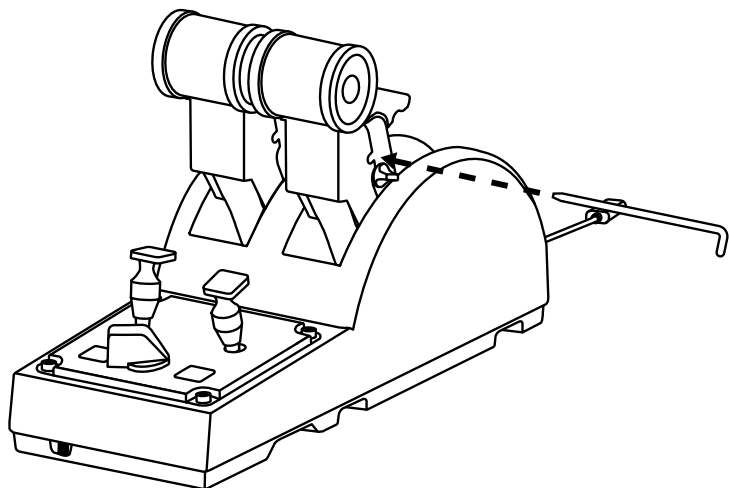
1. TCA Quadrant Airbus Edition のスロットルクアドラントと、2 個の追加 TCA Quadrant Add-On Airbus Edition モジュールを逆さまにし、(対応するヘッド形状のドライバーで) TCA Quadrant Airbus Edition スロットルクアドラントと TCA Quadrant Add-On Airbus Edition に付属している 4 個のアタッチメントをねじ留めして、3 台のデバイスをすべて一緒に固定します: TCA Quadrant Airbus Edition の左側にスピードブレーキモジュール、右側にフラップモジュール。
2. TCA Quadrant Add-On Airbus Edition に付属している SATA ケーブルを、TCA Quadrant Airbus Edition の SATA コネクターに接続します。



- 製品の破損を防ぐために、ねじの取り付け/取り外しには、対応したヘッド形状のドライバーを必ず使用してください。
- Thrustmaster が提供する公式のケーブルのみを使用してください。

2 本のスラストレバーを取り付ける/分離する

TCA Quadrant Airbus Edition スロットルクアドラントに付属しているクロスバーを使用して、2 本のスラストレバーを接続します。

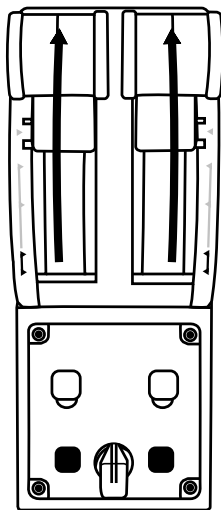


摩擦の調整

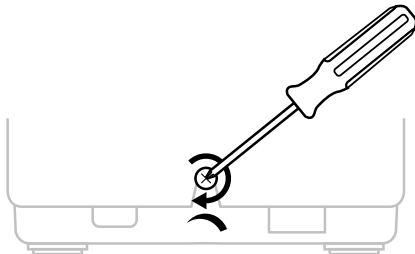
重要な注意:

- 2本のスラストレバーの摩擦は、デフォルトでは50%に設定されています。
- 対応するヘッド形状のドライバー、または付属のクロスバーで摩擦調整ねじを回すことで、好みに合わせた細かい調整が行えます。

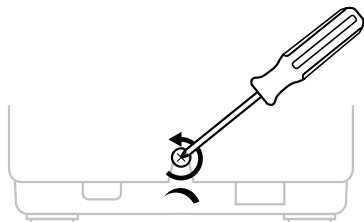
1. 両方のスラストレバーを最大値まで押し込み、次にTCA Quadrant Airbus Editionの背面にある摩擦調整ねじにアクセスします。



2. 摩擦を大きくするには、摩擦調整ねじを時計回りに回してください。



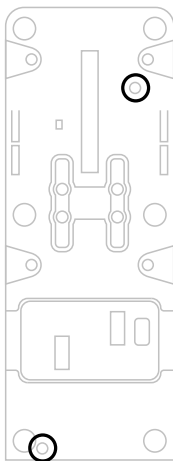
3. 摩擦を小さくするには、摩擦調整ねじを反時計回りに回してください。



- 摩擦システムの破損を防ぐため、調整ねじの締めすぎに注意してください。抵抗を感じたら、それ以上は締めないでください。
- TCA Quadrant Airbus Edition 本体の内部にねじが落ちてしまうことを避けるため、調整ねじは絶対に完全には外さないでください。

TCA QUADRANT AIRBUS EDITION スロットルクアドラントを、コックピットまたはその他の安定した固定面に取り付ける

TCA Quadrant Airbus Edition の底面に設けられている2つのねじ穴を使って、M6 ねじ (付属していません) でコックピットなどの固定面に取り付けることができます。



TFRP* ラダーシステムを TCA QUADRANT AIRBUS EDITION スロットルクアドラントに接続する

*別売

TCA Quadrant Airbus Edition スロットルクアドラントには 7 つの軸があり、そのうち 3 つは TFRP ラダーシステム用に予約されています。

TFRP ラダーシステムは、TCA Quadrant Airbus Edition スロットルクアドラントに直接接続されます。

1. TFRP ラダーシステム用のオス RJ12 コネクタを TCA Quadrant Airbus Edition スロットルクアドラント背面にあるメス RJ12 コネクタに接続します。
2. TCA Quadrant Airbus Edition スロットルクアドラント用の USB コネクタを、PC の USB ポートのいずれかに接続します。

軸の自動キャリブレーションに関する重要事項:

- TFRP ラダーシステムを TCA Quadrant Airbus Edition スロットルクアドラントに接続するときは、必ずラダー軸を中央に置いてください。その際、絶対に TFRP ラダーシステムのペダルに足を置かないでください。
- ペダルの 3 つの軸は、数回動いてラダー軸および 2 つの差動ブレーキ軸の物理的な停止位置に到達した後、自動的にキャリブレーションされます。

T.A.R.G.E.T 高機能プログラミングソフトウェア

(Thrustmaster Advanced Programming Graphical Editor)

サイト <https://support.thrustmaster.com> にアクセスします。[ジョイスティック] / [TCA Quadrant Airbus Edition] をクリックし、[ソフトウェア] を選択します。

T.A.R.G.E.T 高機能プログラミングソフトウェアをダウンロードしてインストールしてください。

T.A.R.G.E.T の主な特長:

- 軸の多彩な設定が可能。
- 異なるプログラミングレベルを搭載: Basic、Advanced、Script。
- ドラッグアンドドロップで操作可能。
- TCA Quadrant Airbus Edition スロットルクoadラントを他の Thrustmaster ジョイスティック (T.A.R.G.E.T とも互換性のある HOTAS Cougar、HOTAS Warthog、T.16000M、および MFD Cougar Pack) と組み合わせて、1 台の USB デバイスとして認識させることが可能。
- Thrustmaster コミュニティのメンバーらによって作成された高度なプロファイルへのアクセス。



トラブルシューティング & 警告

- **TCA Quadrant Airbus Edition スロットルクアドラントが正常に動作していないか、正しくキャリブレーションされていないようです。**
 - PC の電源を切り、TCA Quadrant Airbus Edition スロットルクアドラント用の USB コネクタを取り外してください。その後、USB コネクタをもう一度接続し、PC の電源を入れ直してゲームを再起動してください。
 - TCA Quadrant Airbus Edition スロットルクアドラント用の USB コネクタを接続するときは、TFRP ラダーシステム (別売) を使用する場合、必ずラダー軸を中央に置いてください。その際、絶対に TFRP ラダーシステムのペダルに足を置かないでください。
- **TCA Quadrant Airbus Edition スロットルクアドラントを設定できません。**
 - ゲーム内のオプション/コントローラー/ゲームパッドまたはジョイスティックメニューで、適切な設定を選択するか、コントローラーのオプションを最初から設定し直してください。
 - 詳しくは、ゲームのユーザーズマニュアルまたはオンラインヘルプを参照してください。
 - T.A.R.G.E.T (Thrustmaster Advanced Programming Graphical Editor) 高機能プログラミングソフトウェアを使用してください。
- **TCA Quadrant Airbus Edition スロットルクアドラントが感度が良すぎる、または感度が低すぎます。**
 - TCA Quadrant Airbus Edition スロットルクアドラントの軸は、数回動いて軸の物理的な停止位置に到達した後、自動的にキャリブレーションされます。
 - ゲーム内のオプション/コントローラー/ゲームパッド/ジョイスティックメニューで、コントローラーの感度およびデッドゾーンを調整してください (これらのオプションが利用可能な場合)。
 - T.A.R.G.E.T (Thrustmaster Advanced Programming Graphical Editor) 高機能プログラミングソフトウェアを使用してください。



このデバイスは、娯楽としてのゲーミングエンターテインメント目的での使用を前提としています。このデバイスをプロフェッショナルなトレーニングに使用することは固く禁止されています。

著作権

©2020 Guillemot Corporation S.A. All rights reserved. Thrustmaster® は、Guillemot Corporation S.A. の登録商標です。

AIRBUS、ロゴ、製品、およびサービスマークは Airbus の登録商標です。All rights reserved.

© Airbus 2020. All rights reserved. Airbus 公式ライセンス取得済み。

All rights reserved. その他、本書に記載の登録商標およびブランド名は、それぞれの所有者に帰属します。本書に含まれるイラストには法的拘束力はありません。本書に含まれる内容、設計および仕様は、事前の通告なしに変更される場合があります、また、各国で異なる場合があります。

環境保護推奨

国内の電気電子機器のリサイクル法を遵守してください。

リサイクルのための廃機器の収集地点や廃棄方法についての詳細は、お住まいの地域の自治体までお問い合わせください。

この情報は大切に保管してください。色や形状は実際の製品と異なる場合があります。

本製品をご使用になる前に、プラスチック留め具や粘着テープなどはすべて取り除いてください。

www.thrustmaster.com

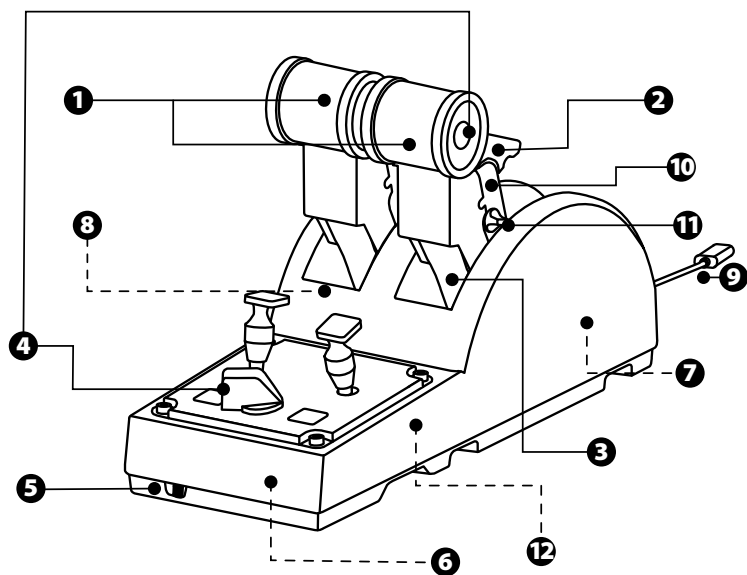
Made in China.

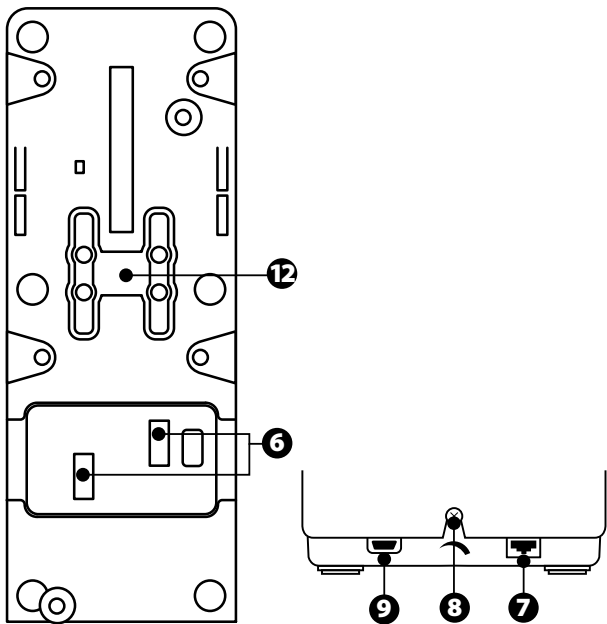


TCA QUADRANT AIRBUS EDITION

用户手册

技术特性





1. 节流阀的 X 轴和 Y 轴
2. 每个轴上内置推力反向器机构
3. 每个轴上带有 4 个止动器——每个轴上有 4 个虚拟按钮
4. 8 个操作按钮
5. 引擎选择器开关：1/2 或 3/4
6. 用于连接外置 TCA Quadrant Add-On Airbus Edition 模块（加装配件另售）的 SATA 接头
7. 用于连接 TFRP 方向舵系统的接头（另售）
8. 摩擦力调节螺丝
9. USB 接头（Type B）
10. 连杆位置
11. 用于启用/禁用每个轴上的推力反向器的机构
12. 用于启用/禁用每个轴上的止动器的机构

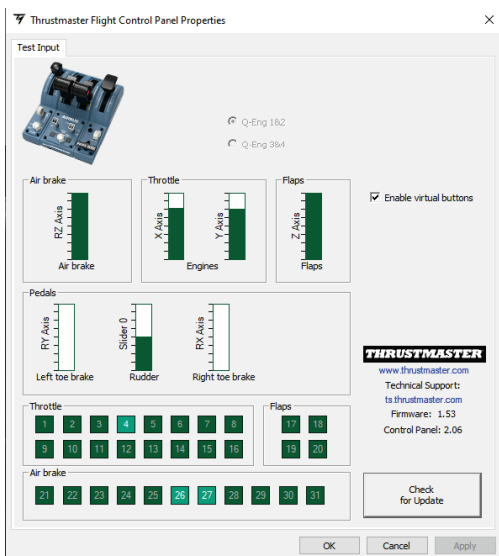
安装到 PC 上

1. 请访问：<https://support.thrustmaster.com/>。点击 **Joysticks（摇杆）/ TCA Quadrant Airbus Edition**，然后选择 **Drivers（驱动程序）**。下载并安装 PC 驱动程序及其适用于 Windows 控制面板的定制界面。
2. 安装 PC 驱动程序之后，将设备的 USB 接头连接到 PC 上的 USB 端口之一。
3. 要访问控制面板，请单击 **开始 / 应用 / Thrustmaster / 控制面板**（在 Windows® 10/8.1/8 中）。

此时将显示**游戏控制器**对话框。

此附件在屏幕上的显示名称为**TCA Q-Eng 1&2**（或**TCA Q-Eng 3&4**），取决于引擎选择器开关 [5] 的位置），状态显示为**正常**。

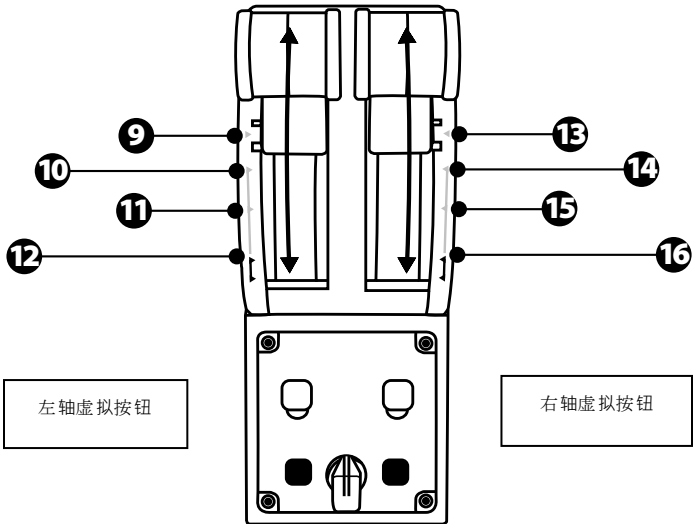
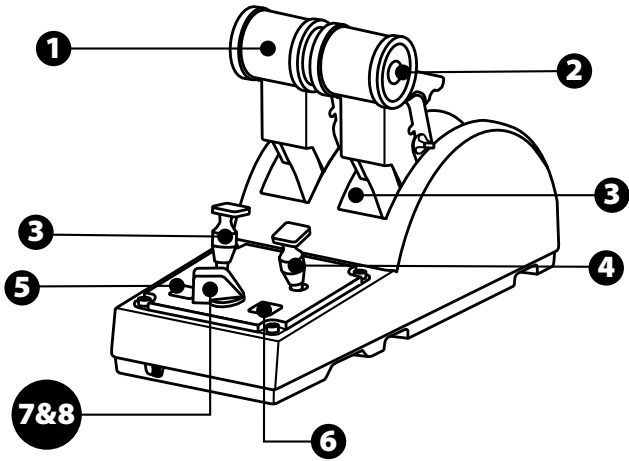
4. 在**游戏控制器**对话框中，单击**属性**可测试和查看所有功能。

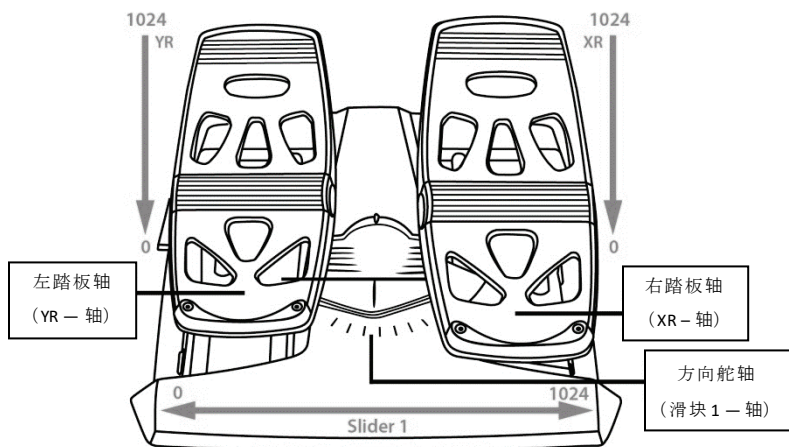
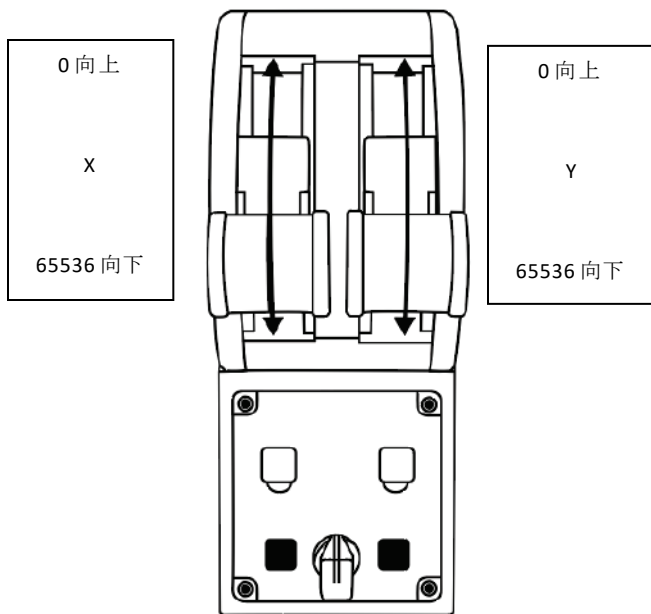


Enable virtual buttons ([启用虚拟按钮]):此功能允许启用或禁用节流阀轴上的虚拟按钮。选择模式之后，单击 **Apply** ([应用])

现在即可开始玩游戏了！

16 个按钮和 2 个轴的映射



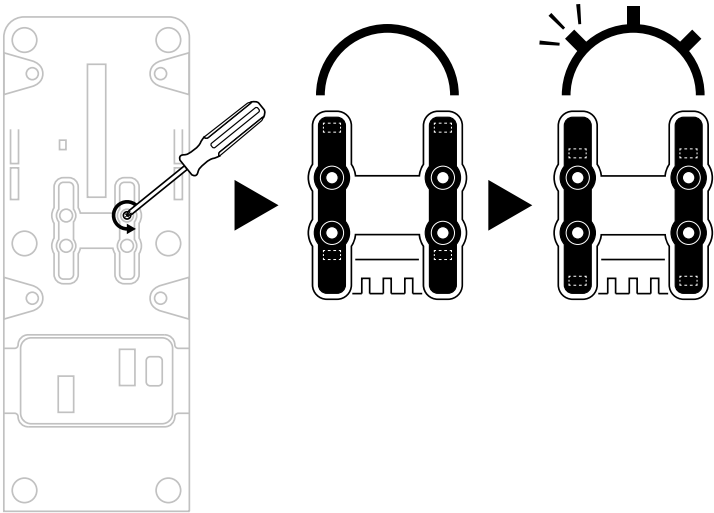


修改 TCA QUADRANT AIRBUS EDITION 节流阀弧座上的轴

TCA Quadrant Airbus Edition 节流阀弧座配备机械选择器开关，让您可以禁用每个轴上的止动器/凹槽。这样可在保留虚拟按钮 9 到 16 的同时，还可拥有平滑的轴。

通过此选项，您可根据模拟游戏中使用的飞机类型（商用飞机或民用飞机）来改变驾驶操控感。

1. 翻转 TCA Quadrant Airbus Edition，使用形状与螺丝头相符的螺丝刀拧松每个选择器的两个螺丝。
2. 参考图示，对调选择器的位置：这样，对于 TCA Quadrant Airbus Edition 节流阀弧座的每个轴，您可以选择将其设定为平滑轴或带有止动器/凹槽的轴。

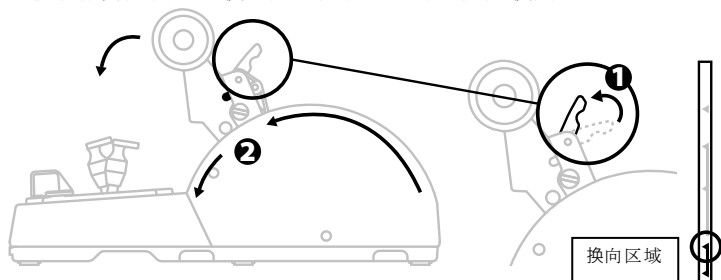


禁用 TCA QUADRANT AIRBUS EDITION 节流阀弧座上的推力反向器

TCA Quadrant Airbus Edition 节流阀弧座配备实用的推力反向器，此推力反向器复刻了 Airbus 商用飞行节流阀上的推力反向器。您可以禁用推力反向器机构，以便获得更适合民航飞行的驾驶体验。

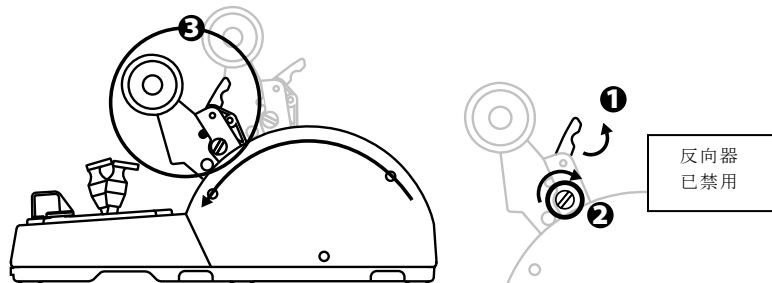
商用客机模式：

1. 在限位处，抬起推力反向器机构。
2. 移动推力反向器，使之越过限位处，即可开始使用。

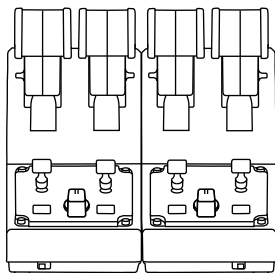


通用和民航模式：

1. 抬起推力反向器机构。
2. 将选择器转动到位置 0，以禁用推力反向器机构。
3. 现在，可沿整个轴移动推力杆。

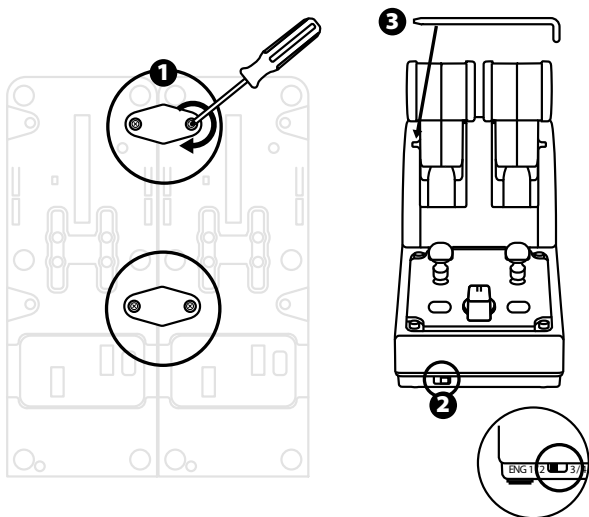


连接两个 TCA QUADRANT AIRBUS EDITION 节流阀弧座

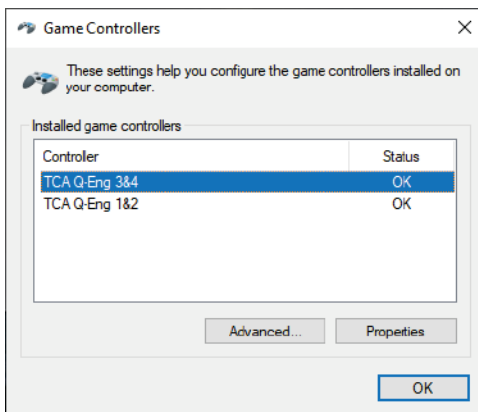


您可以连接第二个 TCA Quadrant Airbus Edition 节流阀弧座（另售）：这样，您可以使用总共 4 个轴，例如可以模拟四引擎商用客机。

1. 同时翻转两个 TCA Quadrant Airbus Edition 节流阀弧座，拧上 TCA Quadrant Airbus Edition 随附的两个连接件，将两个设备连接在一起。
2. 在第二个节流阀弧座上，将选择器开关硬性设置为 **3/4**，以使引擎 3 和 4 与第二个节流阀弧座相关联（在 PC 的控制面板中）。
3. 使用每个 TCA Quadrant Airbus Edition 随附的连杆，成对连接各个轴（1/2 和 3/4），以便同步移动这些轴。

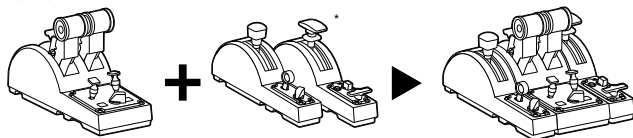


4. 当两个设备均通过 USB 连接到 PC 时，它们会独立出现在**游戏控制器**对话框中：



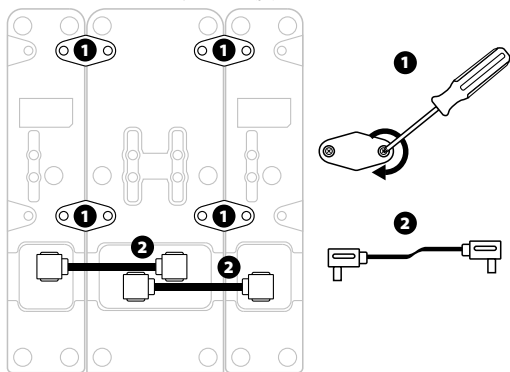
将 TCA QUADRANT AIRBUS EDITION 节流阀弧座连接到 TCA QUADRANT ADD-ON AIRBUS EDITION*

* 另售



TCA Quadrant Airbus Edition 节流阀弧座允许 TCA Quadrant Airbus Edition 的两侧分别连接附加的 TCA Quadrant Add-On Airbus Edition 模块（另售）。这种模块化设计可以带来更多的轴和操作按钮，让您能够增强 TCA Quadrant Airbus Edition 节流阀弧座的起飞、飞行和着陆运动学特性。

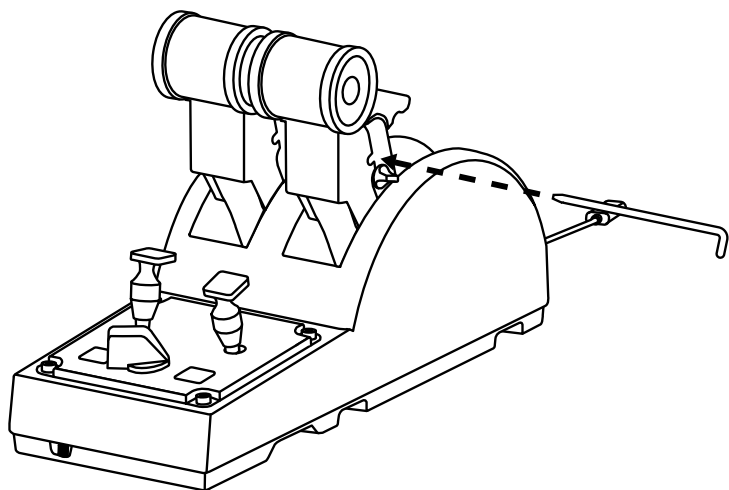
1. 翻转 TCA Quadrant Airbus Edition 节流阀弧座和两个附加的 TCA Quadrant Add-On Airbus Edition 模块，（使用形状与螺丝头相同的螺丝刀）拧上 TCA Quadrant Airbus Edition 节流阀弧座和 TCA Quadrant Add-On Airbus Edition 随附的四个连接件，将所有三个设备连接在一起：减速板模块连接到 TCA Quadrant Airbus Edition 的左侧，襟翼模块连接到右侧。
2. 使用 TCA Quadrant Add-On Airbus Edition 随附的 SATA 电缆连接 TCA Quadrant Airbus Edition 上的 SATA 接口。



- 为避免损坏产品，请使用形状与螺丝头相同的螺丝刀来拧紧/拧松螺丝。
- 仅使用 Thrustmaster（图马思特）提供的官方电缆。

连接/分离两个推力杆

使用 TCA Quadrant Airbus Edition 节流阀弧座随附的连杆将两个推力杆连接在一起。

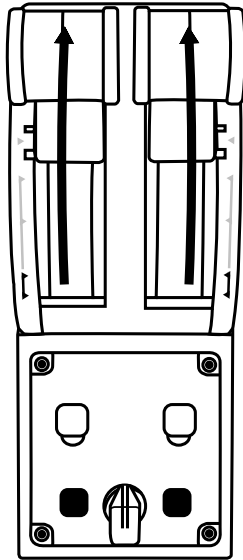


调节摩擦力

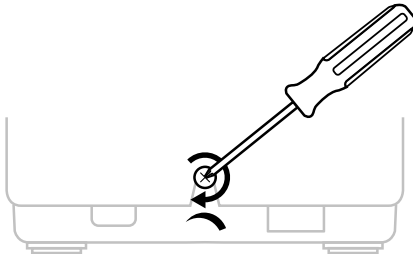
重要事项:

- 两个推力杆的摩擦力默认设置为 50%。
- 为了能够根据自己的偏好进行精确调节，您可以使用形状与螺丝头相同的螺丝刀（或随附的连杆）来转动摩擦力调节螺丝。

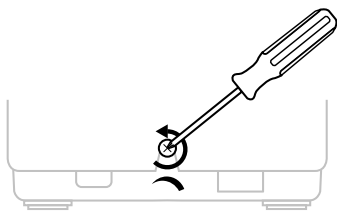
1. 将两个推力杆推到最大值，然后转动 TCA Quadrant Airbus Edition 背部的摩擦力调节螺丝。



2. 要增大摩擦力，请顺时针转动摩擦力调节螺丝。



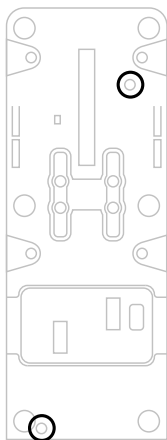
3. 要减小摩擦力，请逆时针转动摩擦力调节螺丝。



- 为避免损坏摩擦系统，请小心操作，切勿过度拧紧调节螺丝：在您感觉有阻力时，停止转动螺丝。
- 切勿完全拧松调节螺丝，以免螺丝掉落到 TCA Quadrant Airbus Edition 的本体内。

将 TCA QUADRANT AIRBUS EDITION 节流阀弧座连接到驾驶座或其他静止表面上

您可以使用 M6 螺丝（未含）通过 TCA Quadrant Airbus Edition 底部的两个穿孔将节流阀弧座连接到驾驶座或其他静止表面上。



将 TFRP* 方向舵系统连接到 TCA QUADRANT AIRBUS EDITION 节流阀弧座

* 另售

TCA Quadrant Airbus Edition 节流阀弧座具有 7 个轴，其中 3 个保留给 TFRP 方向舵系统使用。

TFRP 方向舵系统直接连接到 TCA Quadrant Airbus Edition 节流阀弧座。

1. 将 TFRP 方向舵系统的 RJ12 公接头连接至 TCA Quadrant Airbus Edition 节流阀弧座背部的 RJ12 母接头。
2. 将 TCA Quadrant Airbus Edition 节流阀弧座的 USB 接头连接到 PC 上的 USB 端口之一。

有关自动校准轴的重要注意事项：

- 将 TFRP 方向舵系统连接到 TCA Quadrant Airbus Edition 节流阀弧座时，务必让方向舵轴始终居中：执行此操作时切勿将脚踩在 TFRP 方向舵系统的踏板上。
- 此踏板的 3 个轴在移动几次之后以及到达方向舵轴和 2 个差动刹车轴的物理限位之后，会自动进行自校准。

T.A.R.G.E.T 高级编程软件

(Thrustmaster Advanced pROgramming Graphical EdiTOR)

请访问 <https://support.thrustmaster.com>。点击 **Joysticks (摇杆) / TCA Quadrant Airbus Edition**，然后选择 **Software (软件)**。下载并安装 T.A.R.G.E.T 高级编程软件。

T.A.R.G.E.T 的主要功能：

- 支持不同的轴配置。
- 支持不同的编程级别：Basic、Advanced 和 Script。
- 采用“拖放”原则。
- TCA Quadrant Airbus Edition 节流阀弧座可与各种 Thrustmaster (图马思特) 摇杆 (HOTAS Cougar、HOTAS Warthog、T.16000M 和 MFD Cougar Pack，所有这些摇杆还兼容 T.A.R.G.E.T) 搭配使用，使它们可被识别为单个 USB 设备。
- 可访问由 Thrustmaster (图马思特) 社区创建的高级配置文件。



故障检修和警告

- **我的 TCA Quadrant Airbus Edition 节流阀弧座运行不正常，或似乎校准不当。**
 - 关闭 PC，断开 TCA Quadrant Airbus Edition 节流阀弧座的 USB 接头。然后重新连接 USB 接头，再次打开 PC 并重新启动游戏。
 - 在连接 TCA Quadrant Airbus Edition 节流阀弧座的 USB 接头时，如果您使用的是 TFRP 方向舵系统（另售），则务必让方向舵轴始终居中：执行此操作时切勿将脚踩在 TFRP 方向舵系统的踏板上。
- **我无法配置我的 TCA Quadrant Airbus Edition 节流阀弧座。**
 - 在游戏的“选项/控制器/游戏手柄或摇杆”菜单中，选择适当的配置，或重新配置控制器选项。
 - 有关详细信息，请参阅游戏的用户手册或联机帮助。
 - 使用 T.A.R.G.E.T (Thrustmaster Advanced pRogramming Graphical EdiTor) 高级编程软件。
- **我的 TCA Quadrant Airbus Edition 节流阀弧座太灵敏或不够灵敏。**
 - TCA Quadrant Airbus Edition 节流阀弧座的轴在移动几次之后以及到达轴的物理限位之后，会自动进行自校准。
 - 在游戏的“选项/控制器/游戏手柄或摇杆”菜单中：调整控制器的灵敏度和盲区（如果这些选项可用）。
 - 使用 T.A.R.G.E.T (Thrustmaster Advanced pRogramming Graphical EdiTor) 高级编程软件。



此设备仅设计用于游戏娱乐目的。严禁将此设备用于职业训练活动。

版权声明

© 2020 Guillemot Corporation S.A 保留所有权利。Thrustmaster®（图马思特）是 Guillemot Corporation S.A（基利摩股份有限公司）的注册商标。Windows® 是 Microsoft Corporation 在美国和/或其他国家/地区的注册商标。

AIRBUS 及其徽标和产品及服务标志是 Airbus 的注册商标。保留所有权利。

© Airbus 2020.保留所有权利。获得 Airbus 官方授权。

特此确认，所有其他商标和品牌名称均为其各自所有者的资产。插图不具约束力。内容、设计和规格可能因国家/地区而异，并可能随时出现更改，恕不另行通知。中国制造。

环保建议

请遵守当地电气电子设备的回收法律。

请保留此信息。颜色和装饰风格可能会有所不同。

在使用本产品之前，应先取下塑料紧固件并撕掉胶带。

本产品符合有关 14 岁及以上儿童适用产品的所有标准。本产品不适合未满 14 岁的儿童使用。

www.thrustmaster.com



THRUSTMASTER®

技术支持

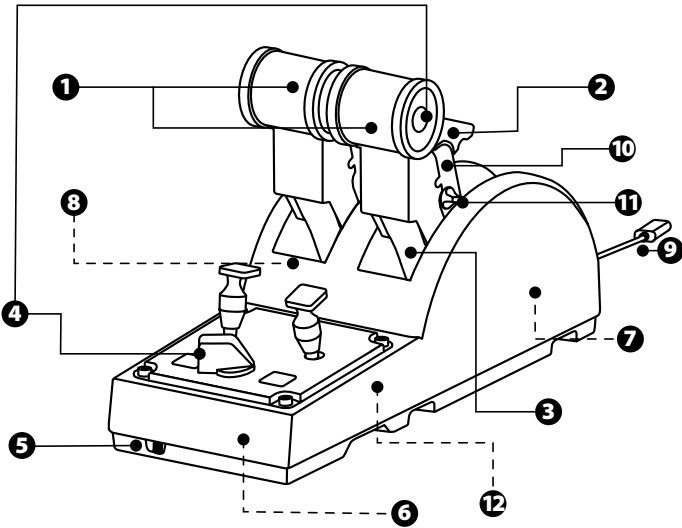
<http://support.thrustmaster.cn>



TCA QUADRANT AIRBUS EDITION

使用者手冊

技術特性



EN

FR

DE

NL

IT

ES

PT

RU

CS

TR

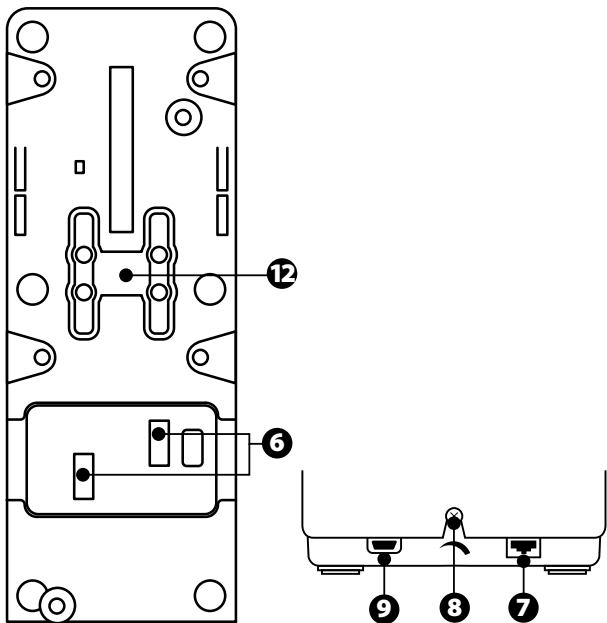
PL

日本語

繁體中文

한국어

العربية



1. 節流閥的 X 軸和 Y 軸
2. 每個軸上內建推力反向器機構
3. 每個軸上帶有 4 個止動器——
每個軸上有 4 個虛擬按鈕
4. 8 個操作按鈕
5. 引擎選取器開關：1/2 或 3/4
6. 用於連接外置 TCA Quadrant
Add-On Airbus Edition 模組（加
裝配件另售）的 SATA 接頭
7. 用於連接 TFRRP 方向舵系統的接
頭（另售）
8. 摩擦力調節螺絲
9. USB 接頭（Type B）
10. 連桿位置
11. 用於啟用/停用每個軸上的推力
反向器的機構
12. 用於啟用/停用每個軸上的止動
器的機構

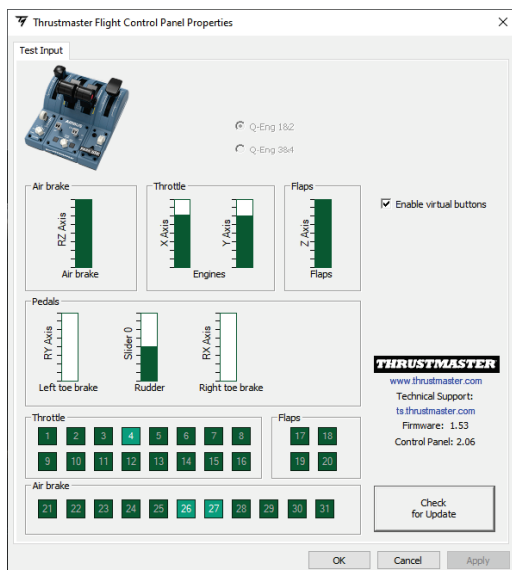
安裝到PC上

1. 請瀏覽：<https://support.thrustmaster.com/>。按一下 **Joysticks (搖桿) / TCA Quadrant Airbus Edition**，然後選取 **Drivers (驅動程式)**。下載並安裝PC 驅動程式及其適用於Windows控制台的自訂介面。
2. 安裝 PC 驅動程式之後，將裝置的USB 接頭連接到PC 上的USB 埠之一。
3. 要存取控制台，請按一下**開始 / 應用 / Thrustmaster / 控制台**（在Windows® 10/8.1/8 中）。

此時將顯示**遊戲控制器**對話方塊。

此附件在螢幕上的顯示名稱為 **TCA Q-Eng 1&2**（或 **TCA Q-Eng 3&4**），取決於引擎選取器開關[5]的位置），狀態顯示為**正常**。

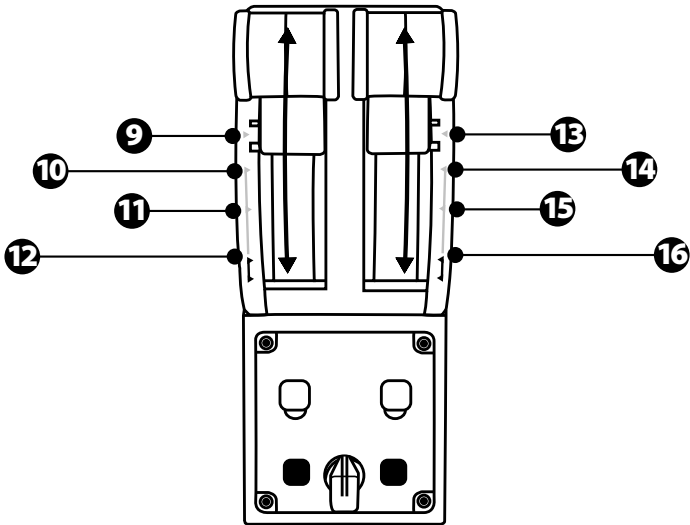
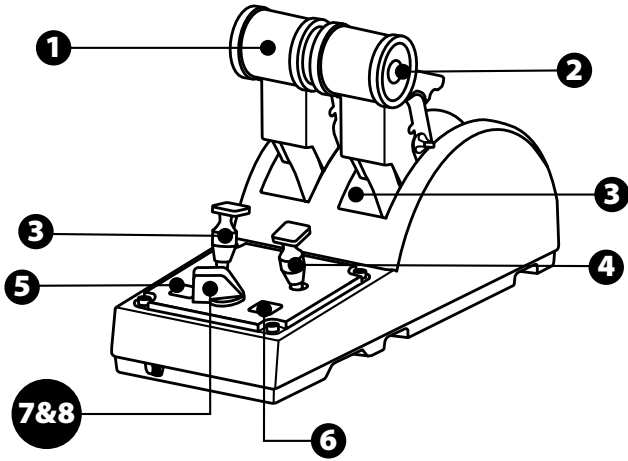
4. 在 **遊戲控制器** 對話方塊中，按一下 **內容** 可測試和檢視所有功能。

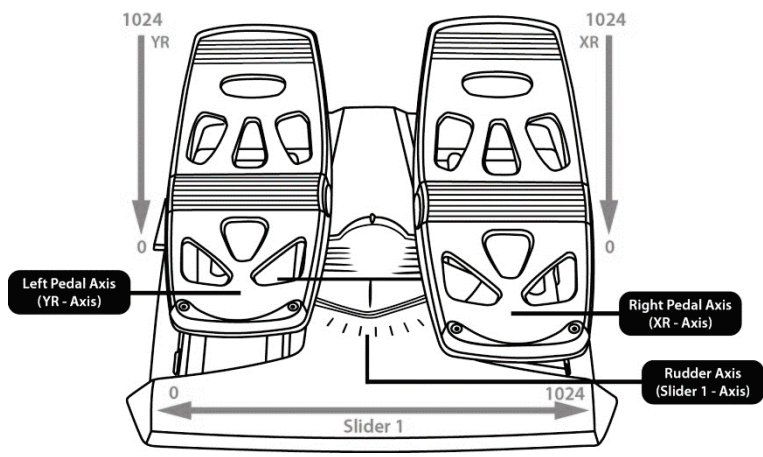
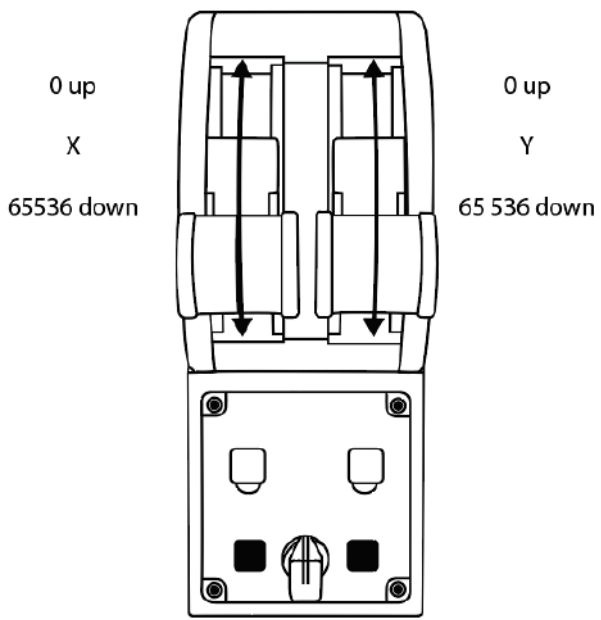


Enable virtual buttons (啟用虛擬按鈕): 此功能允許啟用或停用節流閥軸上的虛擬按鈕。選取模式之後，按一下 **Apply** (應用)

現在即可開始玩遊戲了！

16 個按鈕和 2 個軸的映射



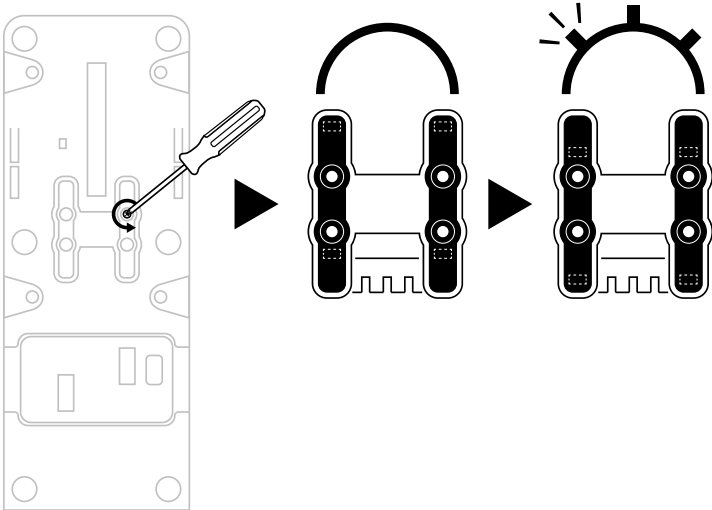


修改 TCA QUADRANT AIRBUS EDITION 節流閥弧座上的軸

TCA Quadrant Airbus Edition 節流閥弧座配備機械選取器開關，讓您可以停用每個軸上的止動器凹槽。這樣可在保留虛擬按鈕 9 到 16 的同時，還可擁有平滑的軸。

透過此選項，您可根據模擬遊戲中使用的飛機類型（商用飛機或民用飛機）來改變駕駛操控感。

1. 翻轉 TCA Quadrant Airbus Edition，使用形狀與螺絲頭相符的螺絲刀擰松每個選取器的兩個螺絲。
2. 參考圖示，對調選取器的位置：這樣，對於 TCA Quadrant Airbus Edition 節流閥弧座的每個軸，您可以選取將其設定為平滑軸或帶有止動器凹槽的軸。

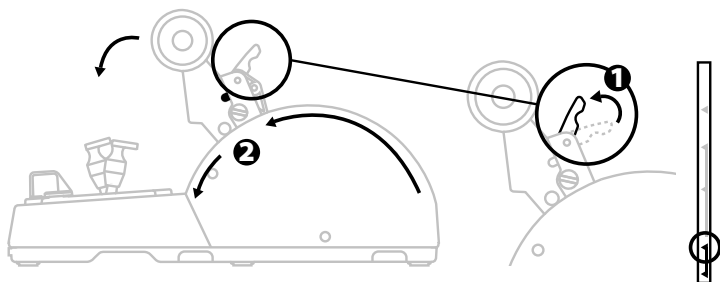


停用 TCA QUADRANT AIRBUS EDITION 節流閥弧座上的推力反向器

TCA Quadrant Airbus Edition 節流閥弧座配備實用的推力反向器，此推力反向器複製了 Airbus 商用飛行節流閥上的推力反向器。您可以停用推力反向器機構，以便獲得更適合民航飛行的駕駛體驗。

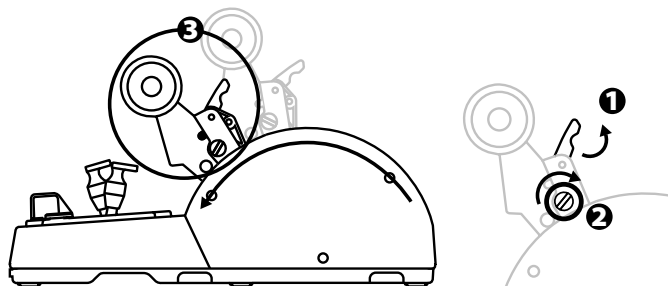
商用客機模式：

1. 在限位處，抬起推力反向器機構。
2. 移動推力反向器，使之越過限位處，即可開始使用。

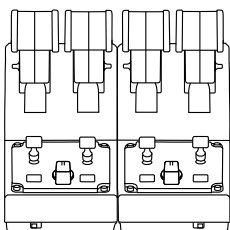


通用和民航模式：

1. 抬起推力反向器機構。
2. 將選取器轉動到位置 0，以停用推力反向器機構。
3. 現在，可沿整個軸移動推力桿。

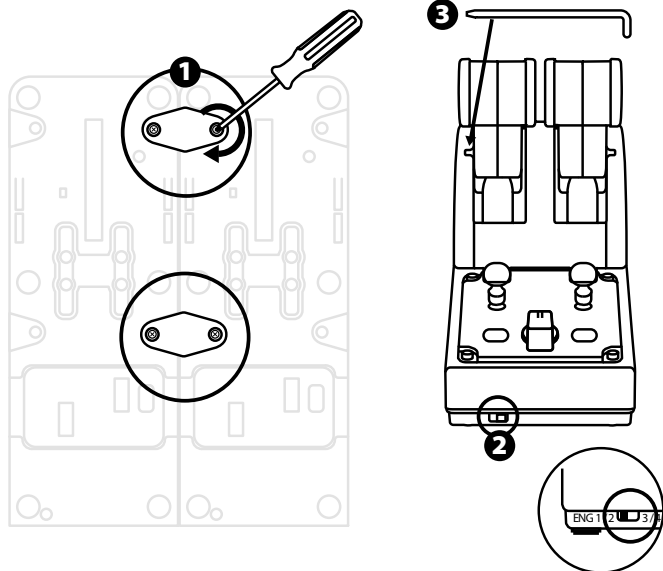


連接兩個 TCA QUADRANT AIRBUS EDITION 節流閥弧座

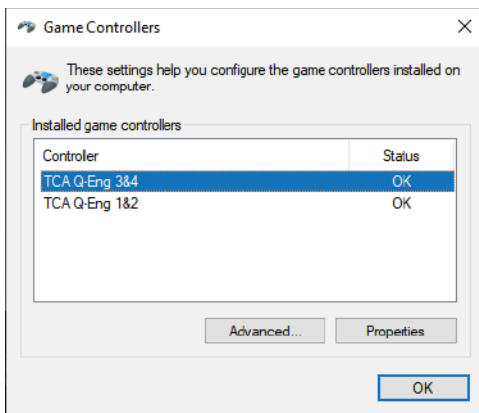


您可以連接第二個 TCA Quadrant Airbus Edition 節流閥弧座（另售）：這樣，您可以使用總共 4 個軸，例如可以模擬四引擎商用客機。

1. 同時翻轉兩個 TCA Quadrant Airbus Edition 節流閥弧座，擰上 TCA Quadrant Airbus Edition 隨附的兩個連接件，將兩個裝置連接在一起。
2. 在第二個節流閥弧座上，將選取器開關硬性設定為 **3/4**，以使引擎 3 和 4 與第二個節流閥弧座相關聯（在 PC 的控制台中）。
3. 使用每個 TCA Quadrant Airbus Edition 隨附的連桿，成對連接各個軸（1/2 和 3/4），以便同步移動這些軸。

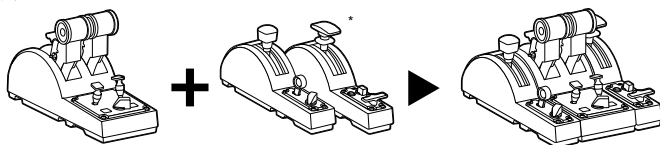


4. 當兩個裝置均透過USB 連接到PC 時，它們會獨立出現在遊戲控制器對話方塊中：



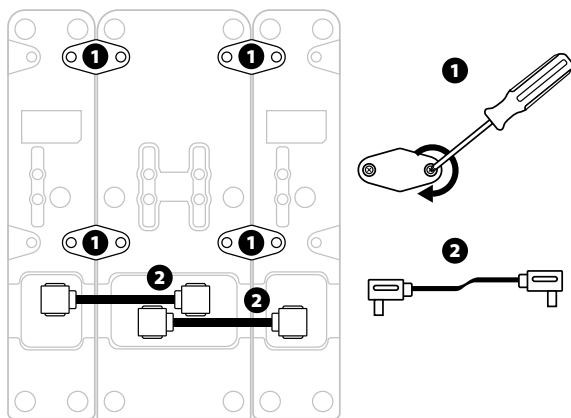
將 TCA QUADRANT AIRBUS EDITION 節流閥弧座連接到 TCA QUADRANT ADD-ON AIRBUS EDITION*

* 另售



TCA Quadrant Airbus Edition 節流閥弧座允許 TCA Quadrant Airbus Edition 的兩側分別連附加的 TCA Quadrant Add-On Airbus Edition 模組（另售）。這種模組化設計可以帶來更多的軸和操作按鈕，讓您能夠增強 TCA Quadrant Airbus Edition 節流閥弧座的起飛、飛行和著陸運動學特性。

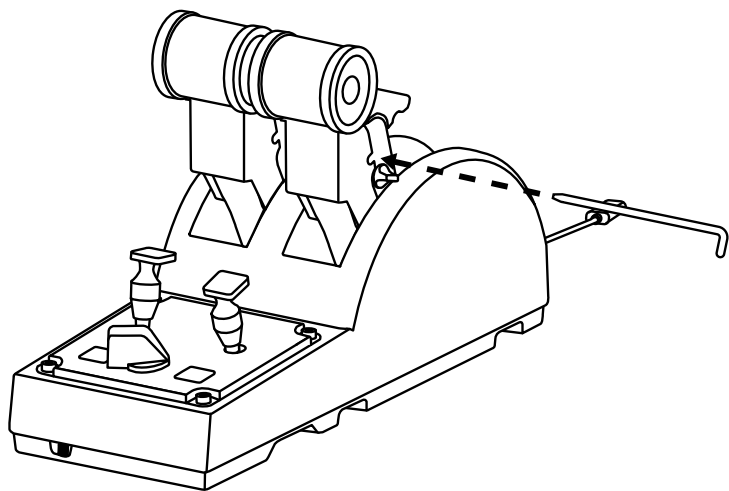
1. 翻轉 TCA Quadrant Airbus Edition 節流閥弧座和兩個附加的 TCA Quadrant Add-On Airbus Edition 模組，（使用形狀與螺絲頭相同的螺絲刀）擰上 TCA Quadrant Airbus Edition 節流閥弧座和 TCA Quadrant Add-On Airbus Edition 隨附的四個連接件，將所有三個裝置連接在一起：減速板模組連接到 TCA Quadrant Airbus Edition 的左側，襟翼模組連接到右側。
2. 使用 TCA Quadrant Add-On Airbus Edition 隨附的 SATA 連接線連接 TCA Quadrant Airbus Edition 上的 SATA 接頭。



- 為避免損壞產品，請使用形狀與螺絲頭相同的螺絲刀來擰緊擰松螺絲。
- 僅使用 Thrustmaster（圖馬思特）提供的官方連接線。

連接分離兩個推力桿

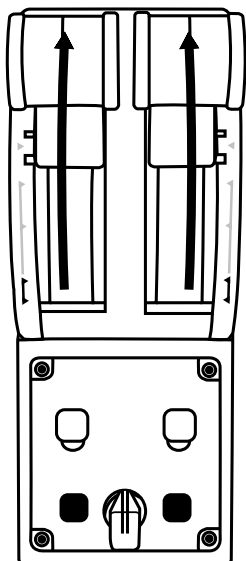
使用 TCA Quadrant Airbus Edition 節流閥弧座隨附的連桿將兩個推力桿連接在一起。



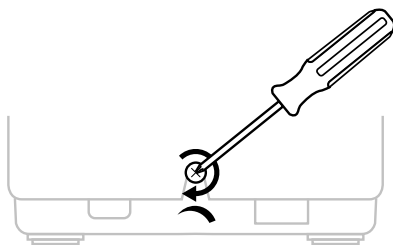
調節摩擦力

重要事項：

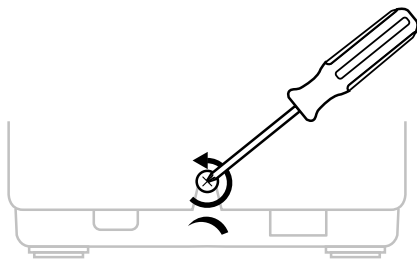
- 兩個推力桿的摩擦力默認設定為50%。
 - 為了能夠根據自己的偏好進行精確調節，您可以使用形狀與螺絲頭相同的螺絲刀（或隨附的連桿）來轉動摩擦力調節螺絲。
1. 將兩個推力桿推到最大值，然後轉動 TCA Quadrant Airbus Edition 背部的摩擦力調節螺絲。



2. 要增大摩擦力，請順時針轉動摩擦力調節螺絲。



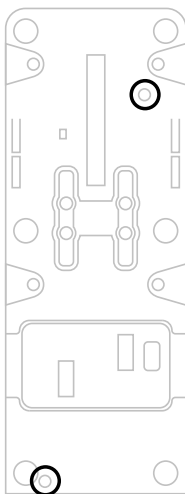
3. 要減小摩擦力，請逆時針轉動摩擦力調節螺絲。



- 為避免損壞摩擦系統，請小心操作，切勿過度擰緊調節螺絲：在您感覺有阻力時，停止轉動螺絲。
- 切勿完全擰松調節螺絲，以免螺絲掉落到 TCA Quadrant Airbus Edition 的本體內。

將 TCA QUADRANT AIRBUS EDITION 節流閥弧座連接到駕駛座或其他靜止表面上

您可以使用 M6 螺絲（未含）透過 TCA Quadrant Airbus Edition 底部的兩個穿孔將節流閥弧座連接到駕駛座或其他靜止表面上。



將 TFRP* 方向舵系統連接到 TCA QUADRANT AIRBUS EDITION 節流閥弧座

* 另售

TCA Quadrant Airbus Edition 節流閥弧座具有 7 個軸，其中 3 個保留給 TFRP 方向舵系統使用。

TFRP 方向舵系統直接連接到 TCA Quadrant Airbus Edition 節流閥弧座。

1. 將 TFRP 方向舵系統的 RJ12 公接頭連接至 TCA Quadrant Airbus Edition 節流閥弧座背部的 RJ12 母接頭。
2. 將 TCA Quadrant Airbus Edition 節流閥弧座的 USB 接頭連接到 PC 上的 USB 埠之一。

有關自動校準軸的重要注意事項：

- 將 TFRP 方向舵系統連接到 TCA Quadrant Airbus Edition 節流閥弧座時，務必讓方向舵軸始終居中：執行此操作時切勿將腳踩在 TFRP 方向舵系統的踏板上。
- 此踏板的 3 個軸在移動幾次之後以及到達方向舵軸和 2 個差動剎車軸的物理限位之後，會自動進行自校準。

T.A.R.G.E.T 進階程式設計軟體

(Thrustmaster Advanced pROgramming Graphical EdiTOR)

請瀏覽 <https://support.thrustmaster.com>。按一下 Joysticks (搖桿) / TCA Quadrant Airbus Edition，然後選取 Software (軟體)。下載並安裝 T.A.R.G.E.T 進階程式設計軟體。

T.A.R.G.E.T 的主要功能：

- 支援不同的軸配置。
- 支援不同的編程級別：Basic、Advanced 和 Script。
- 採用「拖放」原則。
- TCA Quadrant Airbus Edition 節流閥弧座可與各種 Thrustmaster (圖馬思特) 搖桿 (HOTAS Cougar、HOTAS Warthog、T.16000M 和 MFD Cougar Pack，所有這些搖桿還相容於 T.A.R.G.E.T) 搭配使用，使它們可被識別為單個 USB 裝置。
- 可使用由 Thrustmaster (圖馬思特) 社群建立的進階設定檔。



故障檢修和警告

- **我的 TCA Quadrant Airbus Edition 節流閥弧座運作不正常，或似乎校準不當。**
 - 關閉 PC，斷開 TCA Quadrant Airbus Edition 節流閥弧座的 USB 接頭。然後重新連接 USB 接頭，再次開啟 PC 並重新啟動遊戲。
 - 在連接 TCA Quadrant Airbus Edition 節流閥弧座的 USB 接頭時，如果您使用的是 TFRP 方向舵系統（另售），則務必讓方向舵軸始終居中：執行此操作時切勿將腳踩在 TFRP 方向舵系統的踏板上。
- **我無法設定我的 TCA Quadrant Airbus Edition 節流閥弧座。**
 - 在遊戲的「選項/控制器/遊戲手把或搖桿」功能表中，選取適當的設定，或重新設定控制器選項。
 - 有關詳細資訊，請參閱遊戲的使用者手冊或線上說明。
 - 使用 T.A.R.G.E.T (Thrustmaster Advanced pRogramming Graphical EdiTor) 進階程式設計軟體。
- **我的 TCA Quadrant Airbus Edition 節流閥弧座太敏感或不夠敏感。**
 - TCA Quadrant Airbus Edition 節流閥弧座的軸在移動幾次之後以及到達軸的物理限位之後，會自動進行自校準。
 - 在遊戲的「選項/控制器/遊戲手把或搖桿」菜單中：調整控制器的敏感度和盲區（如果這些選項可用）。
 - 使用 T.A.R.G.E.T (Thrustmaster Advanced pRogramming Graphical EdiTor) 進階程式設計軟體。



此裝置僅設計用於遊戲娛樂目的。嚴禁將此裝置用於職業訓練活動。

版權所有

© 2020 Guillemot Corporation S.A. 保留所有權利。圖馬思特® 為 Guillemot Corporation S.A 的註冊商標。

AIRBUS 及其徽標和產品及服務標章是 Airbus 的註冊商標。保留所有權利。

© Airbus 2020.保留所有權利。獲得 Airbus 官方授權。

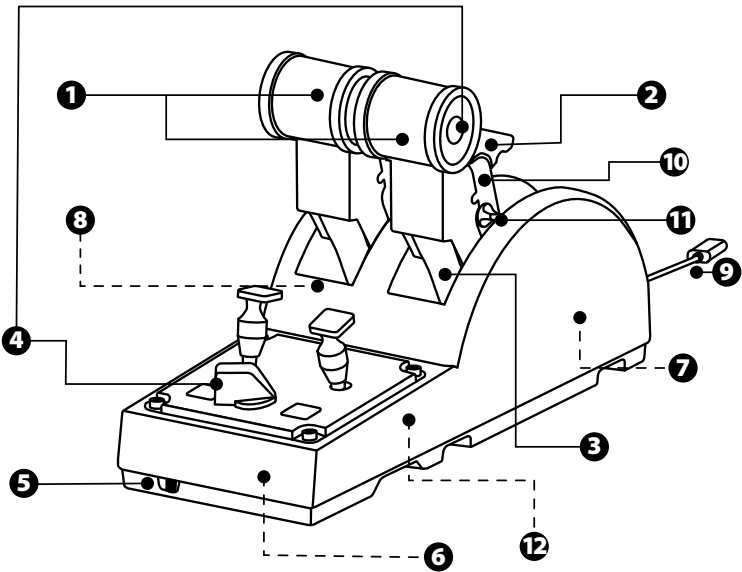
其他商標或註冊商標均為其個別擁有者的財產。圖片並不受約束。產品內容、設計和規格如有變更，恕不另行通知，並可能會視乎國家而不同。中國製造。

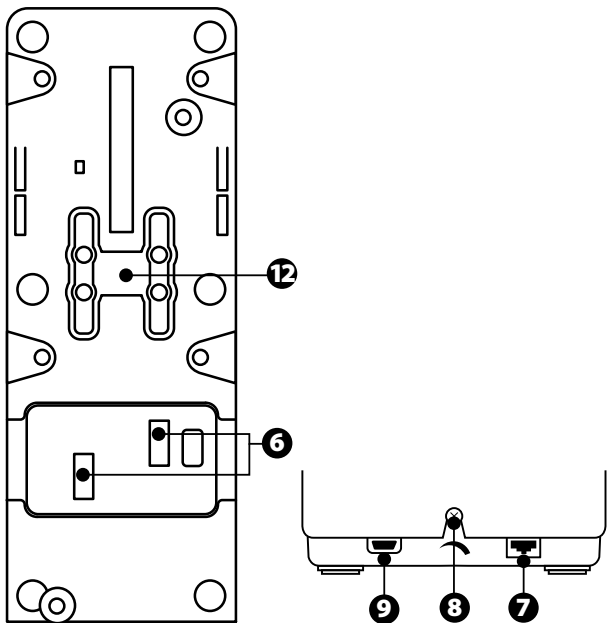


TCA QUADRANT AIRBUS EDITION

사용설명서

기술적 특징





- | | |
|--|---|
| <ol style="list-style-type: none"> 1. 스톱의 X 축 및 Y 축 2. 각 축의 역추진 메커니즘 3. 축당 4 개의 디텐트 — 축당 4 개의 가상 버튼 4. 8 개의 동작 버튼 5. 엔진 선택터 스위치: 1/2 또는 3/4 6. 외부 TCA Quadrant Add-On Airbus Edition 모듈용 SATA 커넥터(에드온 별도 판매) | <ol style="list-style-type: none"> 7. TFRP 러더 시스템용 커넥터(별도 판매) 8. 마찰 조절 나사 9. USB 커넥터(타입 B) 10. 크로스바 위치 11. 각 축의 역추진 장치 활성화/비활성화 메커니즘 12. 각 축의 디텐트 활성화/비활성화 메커니즘 |
|--|---|

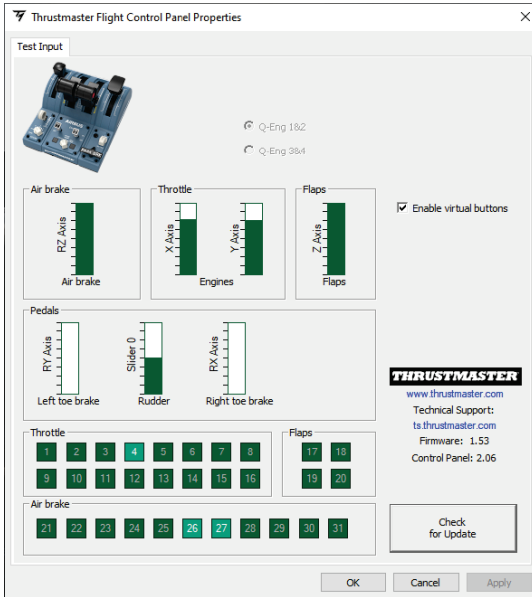
PC 설치

1. <https://support.thrustmaster.com/>을 방문해 주십시오. Joysticks (조이스틱) / TCA Quadrant Airbus Edition 을 클릭한 후 Drivers(드라이버)를 선택합니다. PC 드라이버와 Windows 제어판용 맞춤형 인터페이스를 다운로드 및 설치합니다.
2. PC 드라이버가 설치되면 장치의 USB 커넥터를 PC 의 USB 포트에 연결합니다.
3. 제어판으로 이동해 시작 / 앱 / Thrustmaster / 제어판(Windows® 10 / 8.1 / 8 에서)을 클릭합니다.

게임 컨트롤러 대화상자가 표시됩니다.

액세서리 목록이 TCA Q-Eng 1&2(또는 TCA Q-Eng 3&4, 엔진 선택터스위치의 위치에 따라 다름[5]) 이름 및 OK 상태와 함께 화면에 표시됩니다.

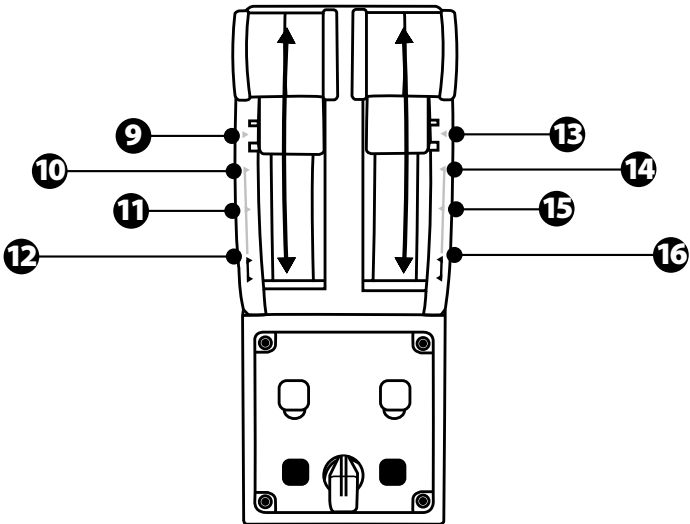
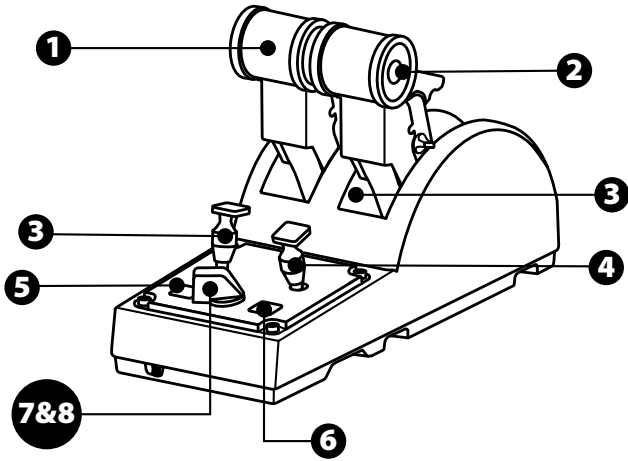
4. 게임 컨트롤러 대화상자에서 속성을 클릭하여 모든 기능을 테스트하고 확인합니다.

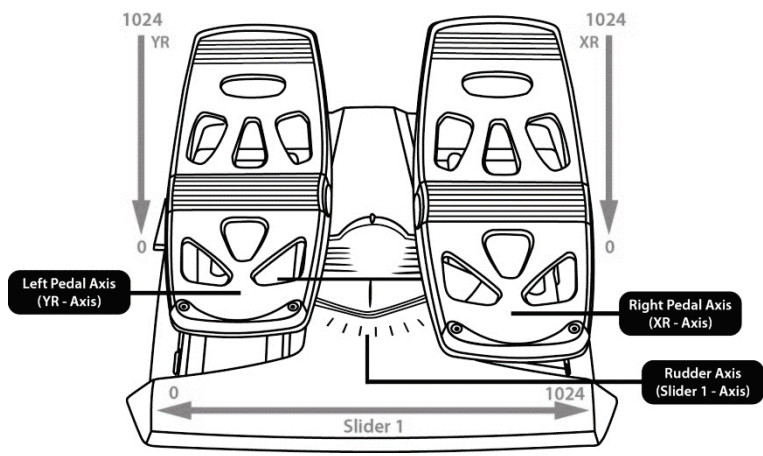
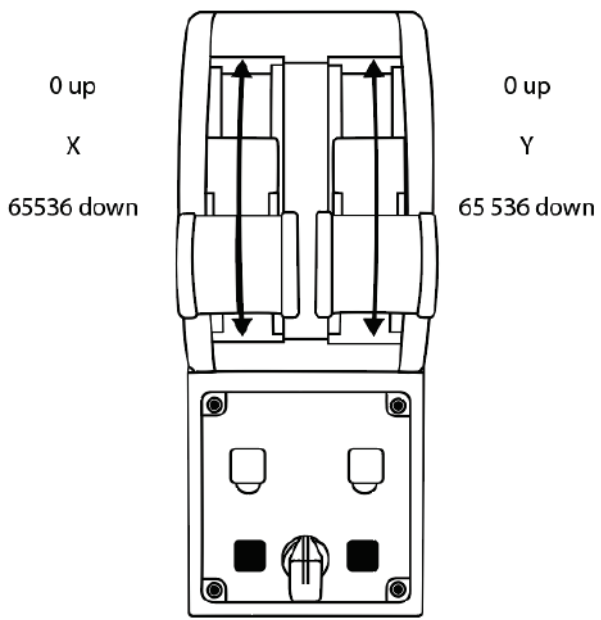


Enable virtual buttons(가상 버튼 활성화): 이 기능을 사용하면 스스로를 축에 있는 가상 버튼을 활성화 또는 비활성화할 수 있습니다. 모드를 선택한 후 **Apply**(적용)를 클릭하세요.

이제 레이싱 준비가 되었습니다!

16 개의 버튼과 2 개의 축 매핑



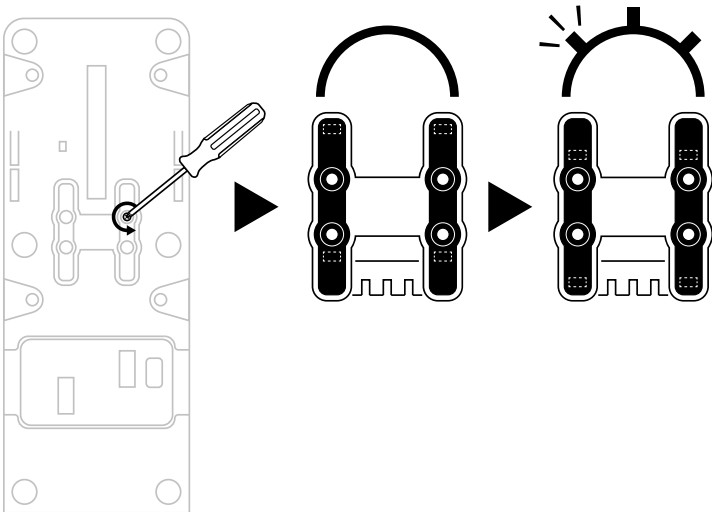


TCA QUADRANT AIRBUS EDITION 스포틀 퀴드런트에서 축 변경하기

TCA Quadrant Airbus Edition 스포틀 퀴드런트에는 기계식 셀렉터가 탑재되어 각 축의 디텐트/노치를 비활성화할 수 있습니다. 이를 통해 축을 부드럽게 하면서도 가상 버튼 9~16 은 그대로 유지할 수 있습니다.

이 옵션을 사용하면 시뮬레이션에서 사용 중인 항공기 기종에 따라(상업용 항공기 또는 민간 항공기) 운항 감각을 변경할 수 있습니다.

1. TCA Quadrant Airbus Edition 을 뒤집고 머리 모양에 맞는 스크루드라이버를 사용해 각 셀렉터에 있는 2 개의 나사를 풀니다.
2. 아래 그림을 가이드 삼아 셀렉터의 위치를 변경합니다. 이렇게 하면 TCA Quadrant Airbus Edition 스포틀 퀴드런트에서 각 축을 부드러운 축 또는 디텐트/노치가 있는 축으로 선택할 수 있습니다.

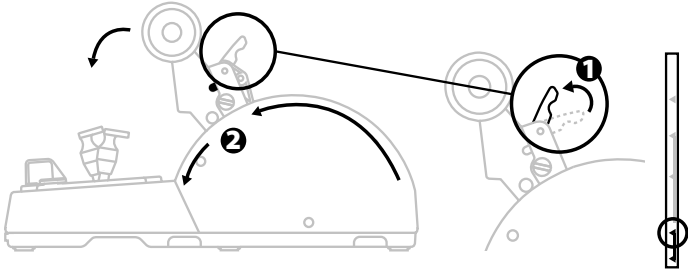


TCA QUADRANT AIRBUS EDITION 스로틀 퀴드런트에서 역추진 장치 비활성화하기

TCA Quadrant Airbus Edition 스로틀 퀴드런트에는 Airbus 상업용 항공기 스로틀에서 사용하는 것을 재현한 역추진 장치 기능이 탑재되어 있습니다. 역추진 메커니즘을 비활성화해 민간 항공에 더 적합한 운항을 경험할 수 있습니다.

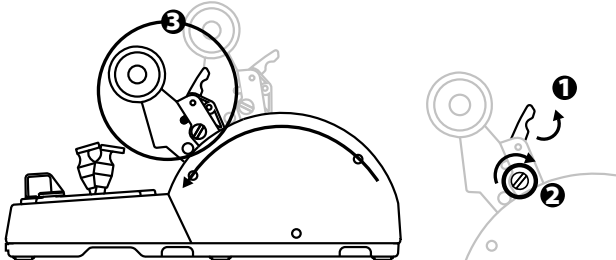
상업용 여객기 모드:

1. 정지 지점에서 역추진 메커니즘을 들어 올립니다.
2. 정지 지점을 빠르게 지나치면 역추진 장치를 사용할 수 있습니다.

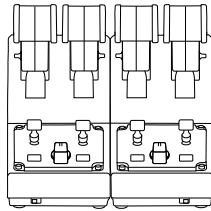


일반 및 민간 항공 모드:

1. 역추진 메커니즘을 들어 올립니다.
2. 선택터를 0 위치로 돌리면 역추진 메커니즘이 비활성화됩니다.
3. 이제 추진 레버가 전체 축을 이동할 수 있습니다.

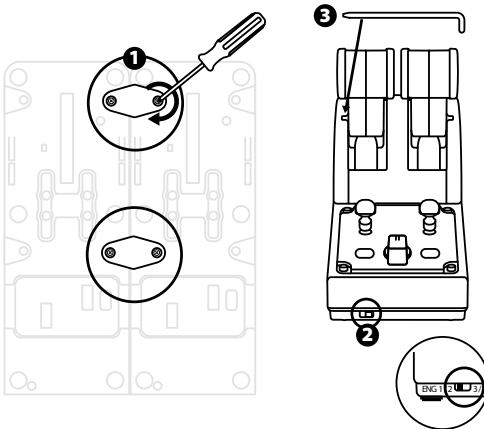


두 개의 TCA QUADRANT AIRBUS EDITION 스톱를 쿼드런트 연결하기

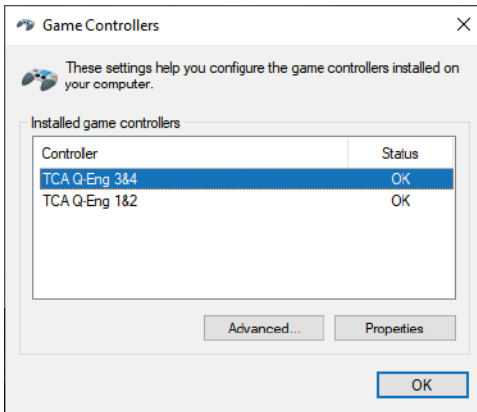


두 번째 TCA Quadrant Airbus Edition 스톱를 쿼드런트(별도 판매)를 연결할 수 있습니다. 예를 들어 총 4 개의 축을 사용해 엔진 4 기를 탑재한 상업용 여객기를 시뮬레이션할 수 있습니다.

1. 두 개의 TCA Quadrant Airbus Edition 스톱를 쿼드런트를 뒤집어 TCA Quadrant Airbus Edition 에 동봉된 연결용 피스의 나사를 조여 두 장치를 하나로 만듭니다.
2. 엔진 3 및 4 를 두 번째 스톱를 쿼드런트와 연결하려면 두 번째 스톱를 쿼드런트에서 물리적으로 선택터 스위치를 **3/4** 로 설정합니다(PC 제어판에서).
3. 각 TCA Quadrant Airbus Edition 에 동봉된 크로스바를 사용해 축을 한 쌍으로 연결해(1/2 및 3/4) 한 번에 움직이기 쉽게 합니다.

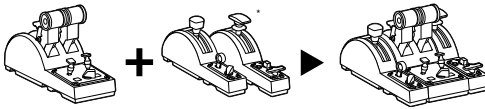


4. 두 장치가 USB 를 통해 PC 에 연결되면 **게임 컨트롤러** 대화상자에 아래와 같이 독립적으로 표시됩니다.



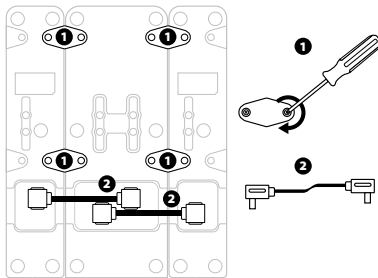
TCA QUADRANT AIRBUS EDITION 스팀롤 퀴드런트와 TCA QUADRANT ADD-ON AIRBUS EDITION* 연결하기

* 별도 판매



TCA Quadrant Airbus Edition 스팀롤 퀴드런트를 사용하면 TCA Quadrant Airbus Edition 의 양쪽에 TCA Quadrant Add-On Airbus Edition 모듈 (별도 판매)을 추가로 연결할 수 있습니다. 이러한 모듈 방식은 새로운 축과 동작 버튼을 추가해 TCA Quadrant Airbus Edition 스팀롤 퀴드런트의 이륙, 비행 및 착륙 운동 역학을 확장할 수 있습니다.

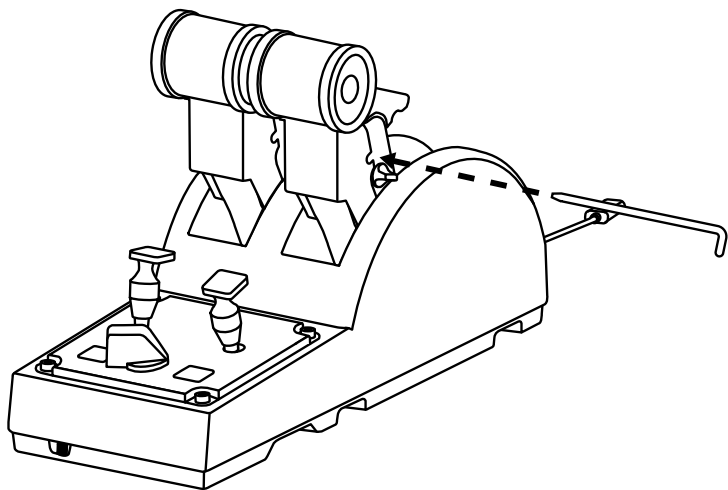
1. TCA Quadrant Airbus Edition 스팀롤 퀴드런트와 두 개의 추가된 TCA Quadrant Add-On Airbus Edition 모듈을 뒤집고 (머리 모양이 같은 스크루드라이버를 사용해) TCA Quadrant Airbus Edition 스팀롤 퀴드런트와 TCA Quadrant Add-On Airbus Edition 에 동봉된 연결용 피스 4 개를 조여 세 개의 장치를 하나로 연결합니다. 스피드 브레이크 모듈은 TCA Quadrant Airbus Edition 의 왼쪽에, 플랩 모듈은 오른쪽에 배치합니다.
2. TCA Quadrant Add-On Airbus Edition 에 동봉된 SATA 케이블을 TCA Quadrant Airbus Edition 에 있는 SATA 커넥터에 연결합니다.



- 제품이 손상되지 않도록 하려면 머리 모양이 같은 스크루드라이버를 사용해 나사를 조이고/푸십시오.
- Thrustmaster가 제공하는 공식 케이블만 사용하십시오.

두 개의 추진 레버 연결/분리하기

TCA Quadrant Airbus Edition 스톱롤 퀴드런트에 동봉된 크로스바를 사용해 두 개의 추진 레버를 하나로 연결합니다.

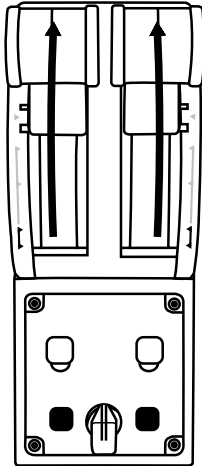


마찰 조절하기

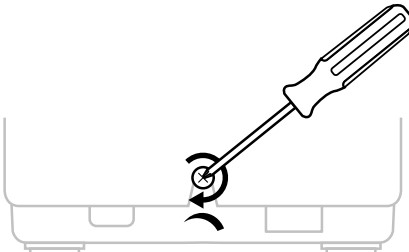
중요 사항:

- 두 개의 추진 레버의 마찰은 50%로 기본 설정되어 있습니다.
- 기호에 따라 정밀 조정하려면 머리 모양이 같은 스크루드라이버(또는 동봉된 크로스바)를 사용해 마찰 조절 나사를 돌리십시오.

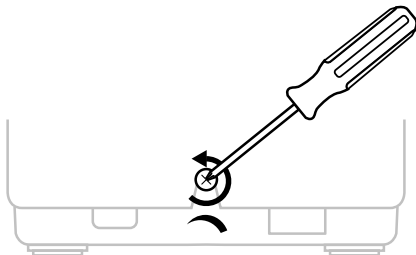
1. 두 개의 추진 레버를 최댓값까지 민 후 TCA Quadrant Airbus Edition 뒷면에 있는 마찰 조절 나사를 이용하십시오.



2. 마찰을 높이려면 마찰 조절 나사를 시계 방향으로 돌립니다.



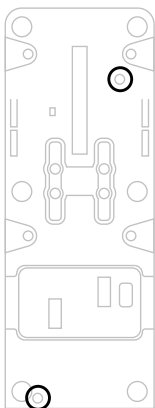
3. 마찰을 줄이려면 마찰 조절 나사를 시계 반대 방향으로 돌립니다.



- 마찰 시스템이 손상되지 않도록 하려면 조절 나사를 너무 세게 조이지 말아야 합니다. 저항이 느껴지면 나사를 돌리는 일을 멈추십시오.
- 조절 나사가 TCA Quadrant Airbus Edition 본체 안으로 떨어지지 않도록 나사를 완전히 풀지 마십시오.

TCA QUADRANT AIRBUS EDITION 스로틀 퀴드런트를 조종석 또는 기타 고정된 표면에 부착하기

TCA Quadrant Airbus Edition 바닥 면에 있는 두 개의 구멍을 사용하면 장치를 조종석 또는 기타 고정된 표면에 부착할 수 있습니다. M6 나사(동봉 안 됨)를 사용하십시오.



TFRP* 러더 시스템을 TCA QUADRANT AIRBUS EDITION 스로틀 퀴드런트에 연결하기

* 별도 판매

TCA Quadrant Airbus Edition 스로틀 퀴드런트에는 축이 7 개 있으며, 이 중 3 개는 TFRP 러더 시스템용으로 지정되어 있습니다.

TFRP 러더 시스템을 TCA Quadrant Airbus Edition 스로틀 퀴드런트에 직접 연결합니다.

1. TFRP 러더 시스템용 수 RJ12 커넥터를 TCA Quadrant Airbus Edition 스로틀 퀴드런트의 뒷면에 있는 암 RJ12 커넥터에 연결합니다.
2. TCA Quadrant Airbus Edition 스로틀 퀴드런트용 USB 커넥터를 PC의 USB 포트에 연결합니다.

축 자동 보정에 관한 중요 사항:

- TFRP 러더 시스템을 TCA Quadrant Airbus Edition 스로틀 퀴드런트에 연결할 때는 항상 러더 축을 중앙에 두십시오. 연결하는 동안 TFRP 러더 시스템의 페달을 발로 밟지 마십시오.
- 페달의 3 개 축이 몇 가지 동작을 수행하고 러더 축과 서로 다른 2 개의 브레이크 축에 대하여 물리적인 정지 상태에 도달한 후에 자동으로 보정됩니다.

T.A.R.G.E.T 고급 프로그래밍 소프트웨어

(Thrustmaster Advanced pRogramming Graphical EdiTor)

<https://support.thrustmaster.com> 을 확인해 주십시오. Joysticks (조이스틱)/ TCA Quadrant Airbus Edition 을 클릭한 후 Software(소프트웨어)를 선택합니다. 고급 프로그래밍 소프트웨어인 T.A.R.G.E.T 을 다운로드 및 설치하십시오.

T.A.R.G.E.T 의 주요 기능:

- 축을 각각 다르게 구성할 수 있습니다.
- 프로그래밍 수준 차별화 가능: Basic, Advanced 및 Script.
- 드래그 앤 드롭 원리 사용.
- TCA Quadrant Airbus Edition 스톱 쿼드런트와 다양한 Thrustmaster 조이스틱(HOTAS Cougar, HOTAS Warthog, T.16000M, MFD Cougar Pack, 및 T.A.R.G.E.T 와 호환 가능한 모든 유형)을 결합해 단일 USB 장치로 인식되게 합니다.
- Thrustmaster 커뮤니티가 생성하는 고급 프로파일에 접근합니다.



문제 해결 및 경고

- **TCA Quadrant Airbus Edition 스틱을 퀴드런트가 제대로 작동하지 않거나 잘못 보정된 것 같습니다.**
 - PC 전원을 끄고 TCA Quadrant Airbus Edition 스틱을 퀴드런트를 USB 커넥터를 분리합니다. 그런 다음 USB 커넥터를 다시 연결하고 PC 전원을 켜 다음 게임을 다시 시작하십시오.
 - TFRP 러더 시스템(별도 판매)을 사용하는 경우 TCA Quadrant Airbus Edition 스틱을 퀴드런트를 USB 커넥터를 연결할 때는 항상 러더 축을 중앙에 두십시오. 연결하는 동안 TFRP 러더 시스템의 페달을 발로 밟지 마십시오.
- **TCA Quadrant Airbus Edition 스틱을 퀴드런트를 구성할 수 없습니다.**
 - 게임 옵션/컨트롤러/게임패드 또는 조이스틱 메뉴에서 적절한 환경 설정을 선택하거나 컨트롤러 옵션을 완전히 재구성하십시오.
 - 더 자세한 내용은 해당 게임의 사용설명서 또는 온라인 도움말을 참조하십시오.
 - 고급 프로그래밍 소프트웨어인 T.A.R.G.E.T (Thrustmaster Advanced pRogramming Graphical EdiTor)을 사용하십시오.
- **TCA Quadrant Airbus Edition 스틱을 퀴드런트가 너무 예민하거나 충분히 예민하지 않습니다.**
 - TCA Quadrant Airbus Edition 스틱을 퀴드런트의 축은 몇 번의 움직임 후 및 축이 물리적인 정지 지점에 도달한 후 자동으로 자체 보정됩니다.
 - 게임 옵션/컨트롤러/게임패드 또는 조이스틱 메뉴에서 민감도와 컨트롤러의 사각지대를 조정하십시오.(해당 옵션을 이용할 수 있는 경우).
 - 고급 프로그래밍 소프트웨어인 T.A.R.G.E.T (Thrustmaster Advanced pRogramming Graphical EdiTor)을 사용하십시오.



이 장치는 게이밍 엔터테인먼트 목적으로만 사용해야 합니다. 이 장치를 전문적인 교육 활동에 사용하는 것은 엄격히 금지됩니다.

COPYRIGHT

© 2020 Guillemot Corporation S.A. 모든 권리 보유. Thrustmaster®는 Guillemot Corporation S.A.의 등록상표입니다.

AIRBUS, 해당 회사의 로고와 제품 및 서비스 마크는 Airbus의 등록 상표입니다. 모든 권리 보유.

© Airbus 2020. 모든 권리 보유. Airbus의 공식 라이선스 획득.

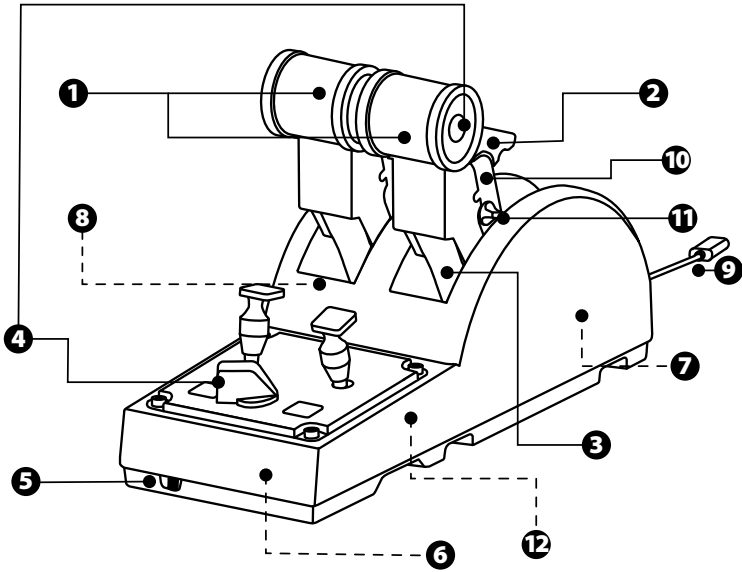
다른 모든 상표는 해당 소유자의 자산입니다. 도면은 법적 구속력이 없습니다. 설명서의 내용, 설계 및 사양은 예고 없이 변경될 수 있으며, 나라마다 서로 다를 수 있습니다. 제조국: 중국

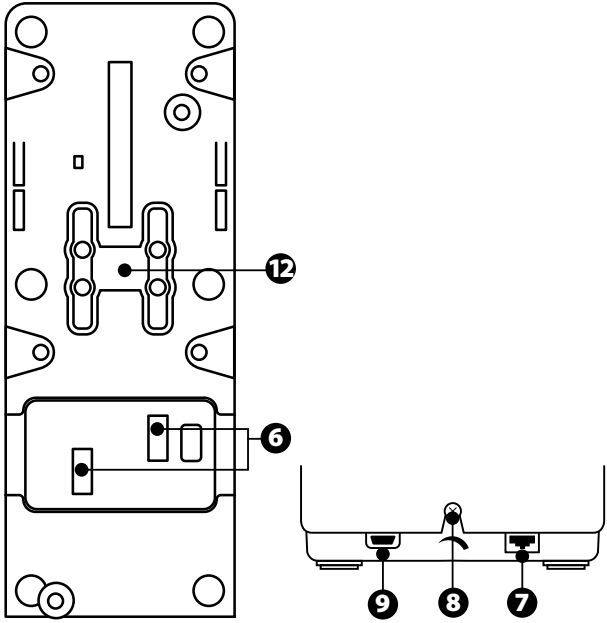


TCA QUADRANT AIRBUS EDITION

دليل المستخدم

الميزات التقنية





- 7 موصل لنظام التوجيه TFRP (يُباع منفصلاً)
- 8 برغي ضبط الاحتكاك
- 9 موصل USB (النوع B)
- 10 مكان عارضة التوصيل
- 11 آلية تمكين/تعطيل عاكس الدفع على كل محور
- 12 آلية تمكين/تعطيل الحابسات على كل محور

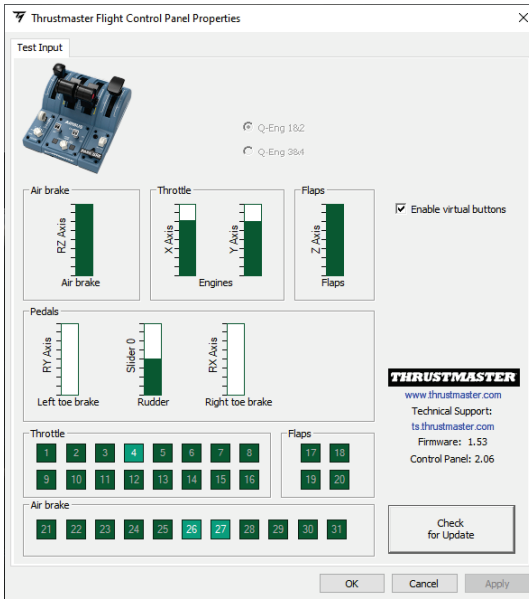
- 1 المحوران X (س) و Y (ص) للخانق
- 2 آلية عاكس الدفع على كل محور
- 3 4 حابسات لكل محور — 4 أزرار افتراضية لكل محور
- 4 8 أزرار مهام
- 5 مفتاح الاختيار الخاص بالمحركات: 2/1 أو 4/3
- 6 موصلات SATA لوحدة TCA Quadrant Add-On Airbus Edition الخارجية (ملحق إضافي يُباع منفصلاً)

التثبيت على جهاز الكمبيوتر

- 1- يُرجى زيارة الموقع الإلكتروني <https://support.thrustmaster.com>. انقر فوق **Joysticks** (أذرع التحكم) / **TCA Quadrant Airbus Edition**، وحدد **Drivers** (برامج التشغيل). وقم بتنزيل وتشغيل برنامج التشغيل الخاص بأجهزة الكمبيوتر وواجهته المخصصة للوحة التحكم في نظام التشغيل Windows.
- 2- بمجرد تثبيت برنامج التشغيل الخاص بأجهزة الكمبيوتر، قم بتوصيل موصل USB الخاص بالجهاز في أحد منافذ USB الموجودة في جهاز الكمبيوتر.
- 3- للوصول إلى لوحة التحكم، انقر فوق **ابدأ** / **التطبيقات** / **Thrustmaster** / **لوحة التحكم** (في أنظمة التشغيل Windows® 10 / 8.1 / 8).

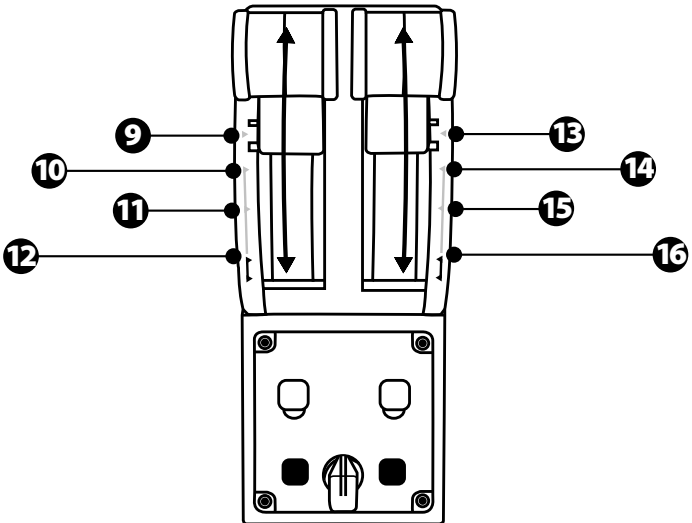
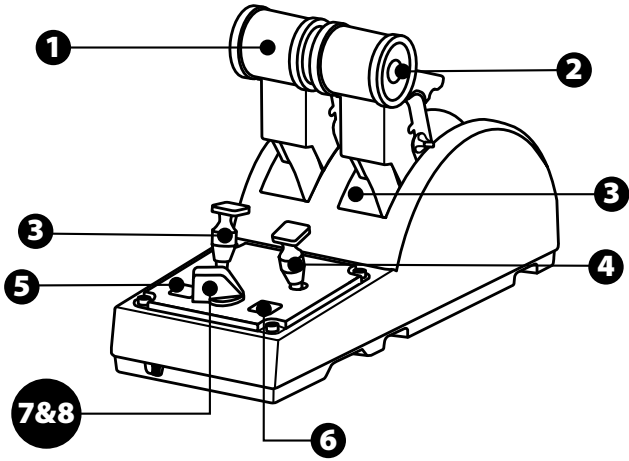
سيظهر مربع الحوار وحدات التحكم بالألعاب. يظهر الملحق على الشاشة باسم **TCA Q-Eng 1&2** (أو **TCA Q-Eng 3&4**، حسب وضع مفتاح الاختيار الخاص بالمحركات [5])، وحالة الزر **OK** (موافق).

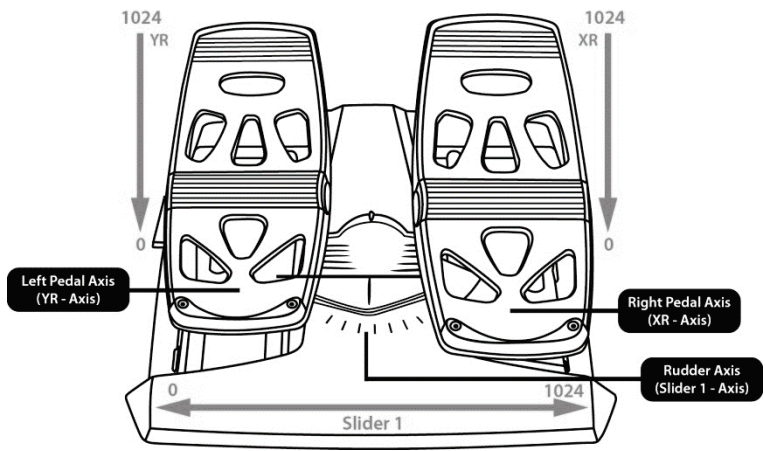
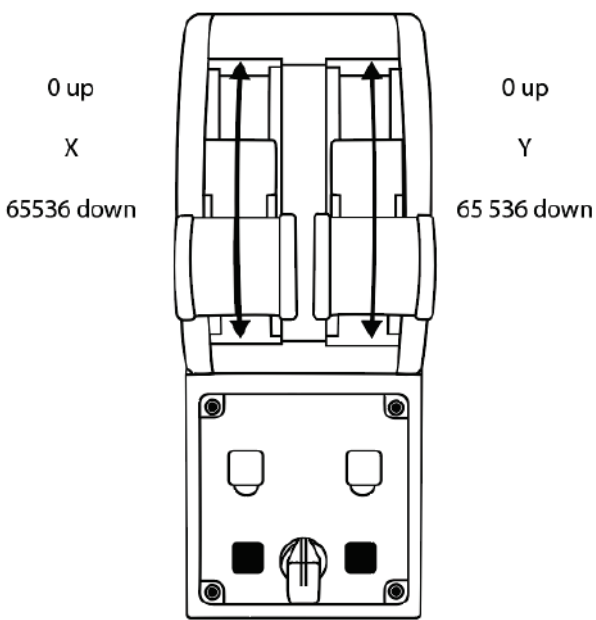
- 4- في مربع الحوار وحدات التحكم بالألعاب، انقر فوق الخصائص لعرض كل الميزات واختبارها.



Enable virtual buttons (تمكين الأزرار الافتراضية): تتيح لك هذه الميزة تمكين الأزرار الافتراضية أو تعطيلها على محاور الصمام الخانق. انقر فوق **Apply** (تطبيق) بعدما تحدد الوضع المناسب لك.

أنت الآن جاهز للعب!



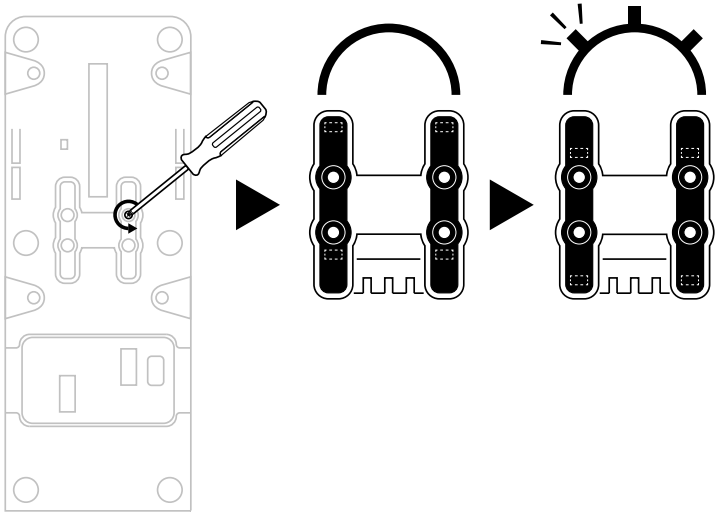


إجراء التعديلات على المحورين في ربعية الخانق AIRBUS EDITION

تمتاز ربعية الخانق TCA Quadrant Airbus Edition بمفاتيح اختيار ميكانيكية والتي تتيح لك تعطيل الحابسات/السنون على كل محور. وبتعطيل الحابسات/السنون، تحصل على محورين سلسي الحركة مع استمرار استخدام الأزرار الافتراضية من 9 إلى 16.

يتيح لك هذا الخيار تغيير درجات حساسية التوجيه حسب نوع الطائرة المستخدمة في المحاكاة (سواء أكانت الطائرة تجارية أم مدنية).

- 1- اقلب ربعية الخانق TCA Quadrant Airbus Edition على وجهها، وقم بفك البرغيين المقابلين لكل مفتاح اختيار وذلك باستخدام مفك مناسب من حيث شكل الرأس.
- 2- بذّل وضع مفاتيح الاختيار مستخدمًا المؤشرات كدليل: سيُتيح لك هذا اختيار محورًا سلس الحركة أو محورًا محدّد الحركة بالحابسات/السنون لكل محور على ربعية الخانق TCA Quadrant Airbus Edition.



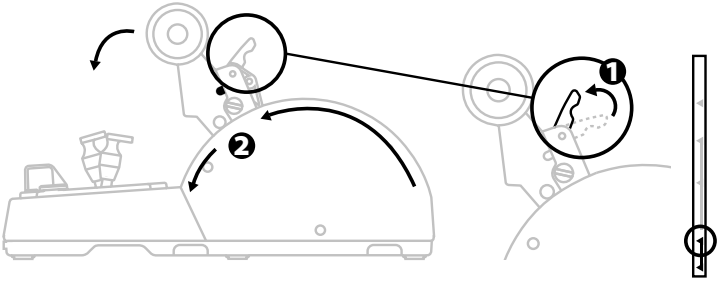
TCA QUADRANT AIRBUS تعطيل عاكسات الدفع على ربعية الخانق

EDITION

تمتاز ربعية الخانق TCA Quadrant Airbus Edition بعاكسات دفع وظيفية تحاكي تمامًا العاكسات الموجودة في صمامات الخنق الموجودة في طائرات Airbus التجارية. ويمكنك تعطيل آلية عاكس الدفع للحصول على تجربة قيادة أكثر ملائمة للطيران المدني.

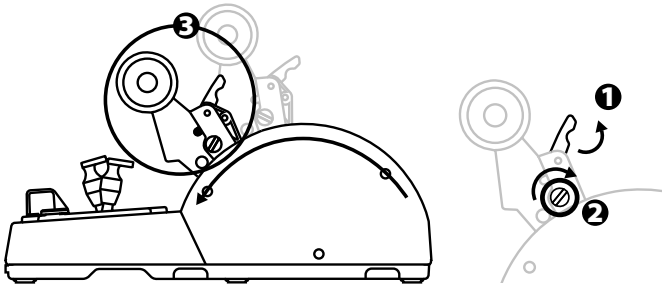
وضع الطائرة التجارية:

- 1- عند نقطة التوقف، ارفع آلية عاكس الدفع لأعلى.
- 2- يتيح لك التحريك إلى ما وراء نقطة التوقف استخدام عاكس الدفع.
- 3-

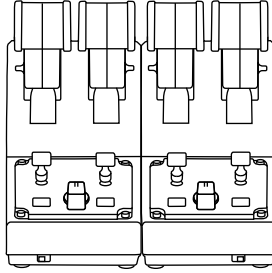


وضع الطيران المدني والعام:

- 1- ارفع آلية عاكس الدفع لأعلى.
- 2- قم بتدوير مفتاح الاختيار إلى الموضع 0 لتعطيل آلية عاكس الدفع.
- 3- يمكن الآن تحريك ذراع الدفع على طول المحور بأكمله.
- 4-

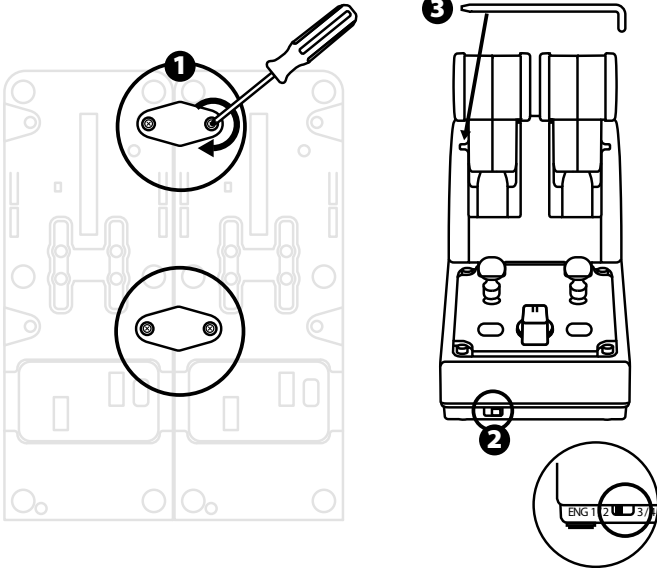


توصيل ربعتي خانق TCA QUADRANT AIRBUS EDITION معاً

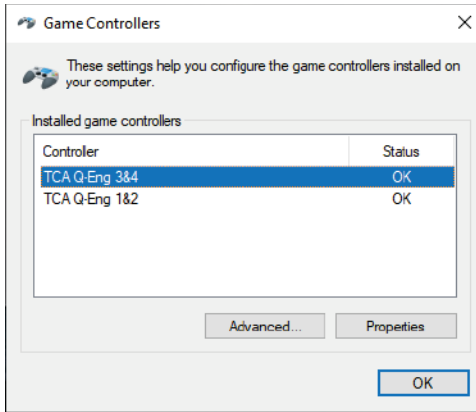


يمكنك توصيل ربعية خانق TCA Quadrant Airbus Edition أخرى (تباع منفصلة): سديتيح لك ذلك استخدام إجمالي 4 محاور ، بما يحلكي طائرة تجارية بأربعة محركات على سبيل المثال.

- 1- اقلب كلتا ربعتي الخانق TCA Quadrant Airbus Edition على وجهيهما ، وقم بتثبيت قطعتي الربط المضمنتين مع TCA Quadrant Airbus Edition لربط الجهازين معاً.
- 2- اضبط يدويًا مفتاح الاختيار على 4/3 في ربعية الخانق الثانية، لكي تربط المحركين 3 و 4 مع ربعية الخانق الثانية (في لوحة التحكم بجهاز الكمبيوتر).
- 3- قم بتوصيل المحاور معاً في أزواج (2/1 و 4/3) لتسهيل حركتها بانسجام وذلك باستخدام عارضة التوصيل المضمنة مع كل ربعية خانق TCA Quadrant Airbus Edition.

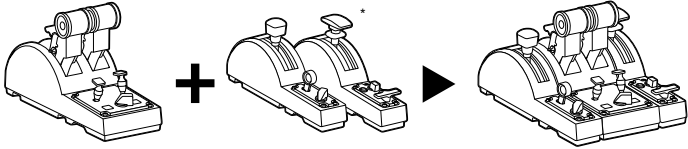


4- عند توصيل ربعتي الخانق كلتيهما بجهاز الكمبيوتر عن طريق USB، فإنهما ستظهران منفصلتين في مربع الحوار وحدات التحكم بالألعاب:



توصيل ربعية الخائق TCA QUADRANT AIRBUS EDITION بوحدة *TCA QUADRANT ADD-ON AIRBUS EDITION

* تباع منفصلة

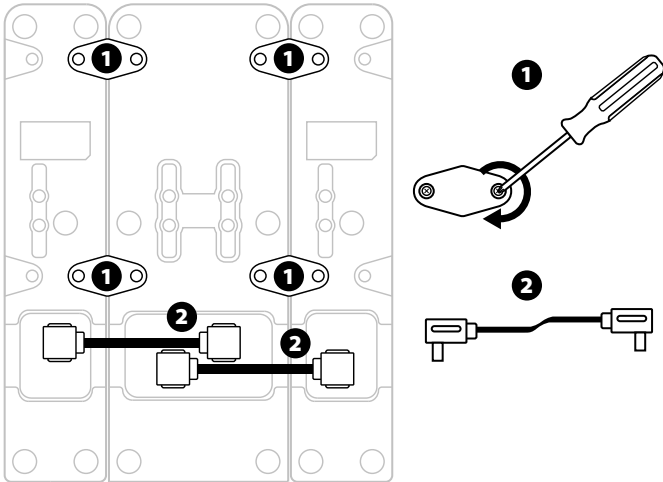


تتيح لك ربعية الخائق TCA Quadrant Airbus Edition توصيل وحدات TCA Quadrant Add-On Airbus Edition الإضافية (تباع منفصلة) على كلا جانبي ربعية الخائق TCA Quadrant Airbus Edition.

يضيف هذا التوصيل النمطي محاور وأزرار مهام جديدة ويتيح لك توسيع المواعمت الحركية عند الإقلاع والهبوط وفي أثناء الطيران لربعية الخائق TCA Quadrant Airbus Edition.

1- اقلب ربعية الخائق TCA Quadrant Airbus Edition ووحدة TCA Quadrant Add-On Airbus Edition الإضافيتين على وجهها، ثم (باستخدام مفك مناسب من حيث شكل الرأس) قم بتثبيت قطع الربط الأربع المضمنة مع ربعية الخائق TCA Quadrant Airbus Edition ووحدة TCA Quadrant Add-On Airbus Edition، وذلك لربط الأجهزة الثلاثة جميعها معًا: وحدة مكبح السرعة على يسار ربعية الخائق TCA Quadrant Airbus Edition ووحدة القلابات على اليمين الربعية.

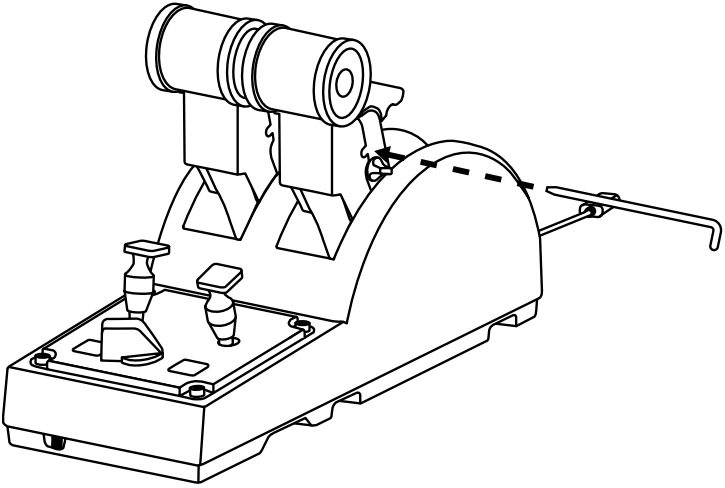
2- قم بتوصيل كابل SATA المضمنتين مع وحدة TCA Quadrant Add-On Airbus Edition الإضافيتين بموصل SATA في ربعية الخائق TCA Quadrant Airbus Edition.



- لتجنُّب تعرُّض المنتجات للتلغف، استخدم مفكًا مناسبًا من حيث شكل الرأس لربط/فك البراغي.
- لا تستخدم سوى الكابلات الرسمية المقتمة من Thrustmaster.

تركيب/فصل ذراعي الدفع

استخدم عارضة التوصيل المضمنة مع ربيعة الخانق TCA Quadrant Airbus Edition لتوصيل ذراعي الدفع معًا.



EN

FR

DE

NL

IT

ES

PT

RU

CS

TR

PL

日本語

繁體中文

한국어

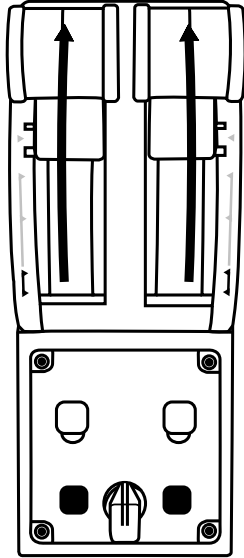
العربية

ضبط الاحتكاك

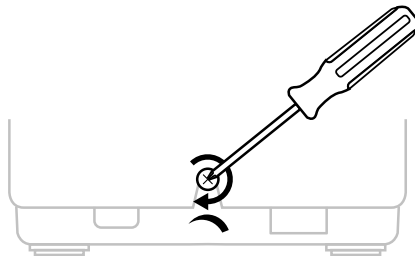
ملحوظات مهمة:

- يكون احتكاك ذراعي الدفع مضبوطاً على 50% بشكل افتراضي.
- للسماح بالضبط الدقيق حسب تفضيلاتك، يمكنك استخدام مفك مناسب من حيث شكل الرأس — أو عارضة التوصيل المُضمَّنة — لتدوير برغي ضبط الاحتكاك.

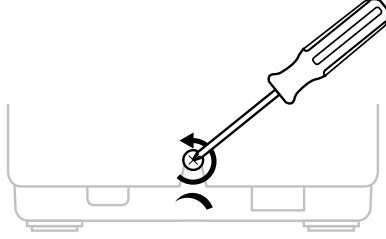
1- ادفع كلا ذراعي الدفع إلى الأمام حتى القيم القصوى لها، وبعد ذلك، يمكنك الوصول إلى برغي ضبط الاحتكاك في الجزء الخلفي لربعية الخانق TCA Quadrant Airbus Edition.



2- لزيادة الاحتكاك، أدر برغي ضبط الاحتكاك باتجاه حركة عقارب الساعة.



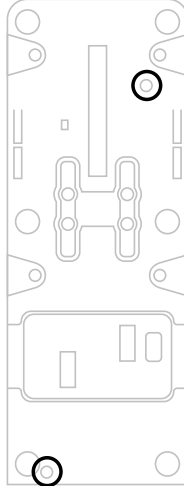
3- لتقليل الاحتكاك، أدر برغي ضبط الاحتكاك عكس اتجاه حركة عقارب الساعة.



- لتجنّب تعرّض نظام الاحتكاك للتلّف، احرص على عدم المبالغة في ربط برغي الضبط: توقف عن لف البرغي عندما تشعر بوجود مقاومة.
- تجنّب نهائيًا فك برغي الضبط بالكامل، وذلك لتجنّب سقوط البرغي داخل هيكل ربعية الخانق TCA Quadrant Airbus Edition.

تركيب ربعية الخانق TCA QUADRANT AIRBUS EDITION في قمرة قيادة أو على سطح ثابت آخر

يمكنك استخدام التقيبين الموجودين في الجانب السفلي لربعية الخانق TCA Quadrant Airbus Edition من أجل تركيب الربعية في قمرة قيادة أو على سطح ثابت آخر، وذلك باستخدام برغيين M6 (غير مرفقين).



توصيل نظام التوجيه TFRP* بربعية الخانق TCA QUADRANT AIRBUS EDITION *تُباع منفصلاً

تشتمل ربعية الخانق TCA Quadrant Airbus Edition على 7 محاور ، علمًا بأنَّ هناك 3 محاور من هذه المحاور محجوزة لنظام التوجيه TFRP .

يتم توصيل نظام التوجيه TFRP مباشرةً بربعية الخانق TCA Quadrant Airbus Edition .

- 1- قم بتوصيل موصل RJ12 الذكر لنظام التوجيه TFRP بموصل RJ12 الأنثى الموجود في الجانب الخلفي لربعية الخانق TCA Quadrant Airbus Edition .
- 2- قم بتوصيل موصل USB لربعية الخانق TCA Quadrant Airbus Edition بأحد منافذ USB في جهاز الكمبيوتر .

ملحوظات مهمة بخصوص المعايرة التلقائية للمحاور:

- اترك محور التوجيه في المنتصف دائمًا عند توصيل نظام التوجيه TFRP بربعية الخانق TCA Quadrant Airbus Edition: لا تضع قدمك نهائيًا على دواسات نظام التوجيه TFRP عند التوصيل.
- تقوم المحاور الثلاثة للدواسات بمعايرة ذاتية تلقائيًا بعد حركات قليلة، وبعد الوصول إلى نقاط التوقف الحقيقية لمحور الموجّه ومحوري المكبح التفاضلي.

برنامج البرمجة المتقدمة T.A.R.G.E.T (Thrustmaster Advanced pROgramming Graphical EdiTOR)

يُرجى زيارة الموقع الإلكتروني <https://support.thrustmaster.com> . انقر فوق Joysticks (أزرع التحكم) / TCA Quadrant Airbus Edition ، ثم حدد Software (البرامج) . وقم بتنزيل برنامج البرمجة المتقدمة T.A.R.G.E.T وتثبيته.

الميزات الأساسية لبرنامج T.A.R.G.E.T:

- تكوينات ممكنة مختلفة للمحاور.
- مستويات برمجة ممكنة مختلفة: Basic (أساسي) وAdvanced (متقدم) وScript (نصي).
- استخدام مبدأ السحب والإفلات.
- إمكانية دمج ربعية الخانق TCA Quadrant Airbus Edition مع أزرع تحكم Thrustmaster متنوعة (HOTAS Cougar، HOTAS Warthog، T.16000M، وMFD Cougar Pack، علمًا بأنَّ هذه الأزرع جميعها متوافقة أيضًا مع برنامج البرمجة المتقدمة T.A.R.G.E.T)، وهو ما يسمح بالتعرف عليها كجهاز USB واحد.
- الوصول إلى ملفات التعريف المتقدمة التي يتم إنشاؤها بواسطة مجتمع Thrustmaster .



استكشاف الأخطاء وإصلاحها وتحذير

- لا تعمل ربعية الخائق TCA Quadrant Airbus Edition على نحو صحيح، أو يبدو أنه قد تمت معاييرها على نحو غير صحيح.
 - أوقف تشغيل جهاز الكمبيوتر، وافصل موصل USB لربعية الخائق TCA Quadrant Airbus Edition. وبعد ذلك، أعد توصيل موصل USB، وقم بتشغيل جهاز الكمبيوتر مرة أخرى، ثم أعد تشغيل اللعبة.
 - عند توصيل موصل USB لربعية الخائق TCA Quadrant Airbus Edition، اترك محور الموجه في المنتصف دائماً إذا كنت تستخدم نظام التوجيه TFRP (يُباع منفصلاً): لا تضع قدميك نهائياً على دواسات نظام التوجيه TFRP عند التوصيل.
- لا أستطيع تكوين ربعية الخائق TCA Quadrant Airbus Edition.
 - في القائمة Options (الخيارات) / Controller (وحدة التحكم) / Gamepad (لوحة الألعاب) أو Joystick (عصا التحكم) بلعبتك، حدد التكوين المناسب، أو أعد تكوين خيارات وحدة التحكم بالكامل.
 - للحصول على مزيد من المعلومات، يُرجى الرجوع إلى دليل المستخدم أو قسم المساعدة عبر الإنترنت الخاص بالعبة.
 - استخدم برنامج البرمجة المتقدمة T.A.R.G.E.T (Thrustmaster Advanced pRogramming) (Graphical EdiTor).
- ربعية الخائق TCA Quadrant Airbus Edition حساسة أكثر مما ينبغي أو غير حساسة بشكل كاف.
 - تقوم محاور ربعية الخائق TCA Quadrant Airbus Edition بالمعايرة الذاتية تلقائياً بعد حركات قليلة، وبعد الوصول إلى نقاط التوقف الحقيقية للمحاور.
 - في القائمة Options (الخيارات) / Controller (وحدة التحكم) / Gamepad (لوحة الألعاب) أو Joystick (عصا التحكم) بلعبتك: اضبط الحساسية والمناطق الهامدة لوحدة التحكم الخاصة بك (إذا كانت هذه الخيارات متاحة).
 - استخدم برنامج البرمجة المتقدمة T.A.R.G.E.T (Thrustmaster Advanced pRogramming) (Graphical EdiTor).



هذا الجهاز مصمم للاستخدام لأغراض الألعاب الترفيهية فقط. ويُحظر تماماً استخدام هذا الجهاز لأغراض أنشطة التدريب المهني.

ضمان المستهلك

تضمن شركة Guillemot Corporation S.A، العالمية (المشار إليها فيما بعد باسم "Guillemot") ومقرها الرئيسي في France، Place du Granier, B.P. 97143, 35571 Chantepie, France، للمستهلك أن يكون منتج Thrustmaster هذا خليطاً من عيوب المواد و عيوب التصنيع، طوال مدة فترة الضمان التي تتوافق مع الفترة المحددة التي يمكن خلالها المطالبة بمطابقة لاسترداد قيمة هذا المنتج أو استبداله. في دول الاتحاد الأوروبي، يسري هذا المدة (2) عامين من تاريخ استلام المنتج Thrustmaster. وفي دول أخرى، تتوافق فترة الضمان مع الفترة المحددة للمطالبة بمطابقة المنتج Thrustmaster وفقاً للقوانين المعمول بها في الدولة التي كان يقطن بها المستهلك عند تاريخ شراء المنتج Thrustmaster (في حلة عدم المطالبة في الدولة المعنية، ستكون فترة الضمان عام (1) واحد من تاريخ الشراء الأصلي للمنتج Thrustmaster).

مع عدم الإخلال بما تقدم، يشمل الضمان البطاريات القابلة لإعادة الشحن لمدة ستة (6) أشهر من تاريخ البيع الأصلي. وإذا ظهر أن المنتج معيباً خلال فترة الضمان، فئاتصل على الفور ببلد دعم الفني الذي سيرشدك إلى الإجراءات التي يجب أن تتبناها. وإذا تم التأكيد من وجود العيب، فيجب إعادة المنتج إلى مكان شرائه (أو أي موقع آخر يشير إليه الدعم الفني). وفي سياق هذا الضمان، يجب استبدال المنتج المعيب الخخص بالمستهلك أو إصلاحه، وذلك حسب اختيار الدعم الفني. إذا خضع منتج Thrustmaster، في خلال فترة الضمان، لأي عملية إصلاح، فإن أي فترة يكون المنتج خلالها خارج الخدمة وبتأدي سبعة (7) أيام سوف تضاف إلى فترة الضمان المتبقية (تبدأ هذه الفترة من تاريخ طلب العميل للتدخل). تقتصر المسؤولية الكاملة لشركة Guillemot وفروعها (بما في ذلك الأضرار التبعية) على إصلاح المنتج Thrustmaster أو استبداله، وذلك عندما يكون هنا جائزاً بموجب القانون السلي. تغطي شركة Guillemot مسؤوليتها عن أي ضمانات خاصة بالتجزئة أو الملاحة لغرض معين، وذلك عندما يكون هذا جائزاً بموجب القانون السلي.

لا يسري هذا الضمان: (1) إذا تم تعديل المنتج أو فتحه أو تغييره أو إذا تعرض للتلف نتيجة للاستخدام السليبي أو غير الملائم أو الإهمال أو حادث أو الإهلاك نتيجة الاستعمال العادي، أو أي سبب آخر لا يرتبط بوجود عيب في المواد أو التصنيع (بما في ذلك، على سبيل المثال لا الحصر، تجميع منتج Thrustmaster بواسطة أي عنصر غير منسب، بما في ذلك على وجه الخصوص وحدات الإمداد بلطفة أو البطاريات القابلة لإعادة الشحن أو الشواحن أو أي عناصر أخرى لا يتم توريدها من خلال Guillemot لهذا المنتج)؛ (2) إذا استخدم المنتج لأي غرض آخر بخلاف الاستخدام المنزلي، بما في ذلك الأغراض المهنية أو التجارية (غرف الألعاب أو الترييب أو المسابقات على سبيل المثال)؛ (3) في حالة عدم الالتزام بتعليمات المقدمة من قبل الدعم الفني؛ (4) على البرامج، حيث تخضع هذه البرامج لضمان محدد؛ (5) على العناصر الاستهلاكية (العناصر التي يتم استهلاكها خلال فترة عمر المنتج كالبطاريات غير القابلة لإعادة الاستخدام أو سماعات الرأس أو وسائل الأذن الخاصة بسماعة الرأس)؛ (6) الملحقات (كالكيبات والعلب والحفظت والحقائب وأربطة المعصم)؛ (7) إذا تم بيع المنتج في مزاد علني.

هذا الضمان غير قابل للتحويل.

لا يؤثر هذا الضمان على الحقوق القانونية للمستهلك بمقتضى القوانين المطبقة على بيع السلع الاستهلاكية في بلدها.

شروط الضمان الأخرى

خلال فترة الضمان، لن توفر Guillemot، من حيث المبدأ، أي قطع غيار، حيث أن الدعم الفني هو الطرف الوحيد المخول بفتح و/أو إصلاح أي منتج من Thrustmaster (بإستثناء أي إجراءات إصلاح يطلب الدعم الفني إجراؤها بواسطة العميل، عن طريق تعليمات مكتوبة – على سبيل المثال، نظراً لبسطة عملة الإصلاح وعدم موبيتها – وتزويد العميل بقطعة (قطع) الغيار المطلوبة، حيثما أمكن ذلك.

لمقتضى المجالات الإبداعية ولصحية أسرار المعرفة الفنية والأسرار التجارية، لن توفر Guillemot، من حيث المبدأ، أي إشعارات للإصلاح أو قطع غيار لأي منتج Thrustmaster انتهت فترة الضمان الخاصة به.

في الولايات المتحدة الأمريكية وكندا، يقتصر هذا الضمان على الآلية الدلخية للمنتج والغطاء الخلجي له. لا تتحمل شركة Guillemot أو شركائها التابعة بأي حال من الأحوال مسؤولية أي جهة أخرى عن أي أضرار تبعية أو عرضية ناتجة عن خرق للضمانت الصريحة أو الضمنية. لا تسمح بعض الولايات/المقاطعات بتحديد مدة الضمان الضمني أو الاستثناء أو تحديد المسؤولية عن الأضرار التبعية أو العرضية، ولذلك فقد لا تسري عليك الحدود أو الاستثناءات الواردة أعلاه. يمنحك هذا الضمان حقوقاً قانونية معينة، وقد تتمتع أيضاً بحقوق أخرى تختلف من ولاية لأخرى أو من مقاطعة لأخرى.

المسؤولية

تخلي شركة Guillemot Corporation S.A. (المشار إليها فيما بعد باسم "Guillemot") وفروعها مسؤوليتها كاملة عن أي أضرار تنتج عن حالة أو أكثر من الحالات التالية، إذا كان هذا جائزاً بموجب القانون الساري: (1) تعديل المنتج أو فتحه أو تغييره؛ (2) عدم الالتزام بتعليمات المجموعة؛ (3) الاستخدام السيئ أو غير الملائم أو الإهمال أو التعرض لحادث (تصادم، على سبيل المثال)؛ (4) الإهلاك الذاتي عن الاستعمال العادي؛ (5) إذا استخدم المنتج لأي غرض آخر بخلاف الاستخدام المنزلي، بما في ذلك الأغراض المهذبية أو التجارية (غرف الألعاب أو التدريب أو المسابقات على سبيل المثال). تخلي شركة Guillemot وفروعها كافة مسؤوليتها عن أي أضرار لا ترتبط بعييب في المواد أو التصنيع يتعلق بالمنتج (متضمناً، على سبيل المثال لا الحصر، أي أضرار تحدث بشكل مباشر أو غير مباشر بسبب أي برنامج أو عن طريق دمج منتج Thrustmaster مع أي عنصر غير مناسب، بما في ذلك على وجه الخصوص وحدات الإمداد بالطاقة أو البطاريات القابلة لإعادة الشحن أو الشواحن أو أي عناصر أخرى لا يتم توريدها من خلال Guillemot لهذا المنتج)، إذا كان هذا جائزاً بموجب القانون الساري.

THRUSTMASTER®

الدعم الفني

<https://support.thrustmaster.com>



حقوق النشر

تجارية مسجلة لشركة © 2020 Guillemot Corporation S.A. جميع الحقوق محفوظة. Thrustmaster® هي علامة تجارية مسجلة لشركة Airbus و شعارها ومنتجها وعلامات خدمتها هي علامات تجارية مسجلة باسم شركة Airbus. جميع الحقوق محفوظة. حقوق التأليف والنشر © لعام 2020 مملوكة لشركة Airbus. جميع الحقوق محفوظة. منتج مرخص رسمياً من شركة Airbus.

كافة العلامات التجارية الأخرى مملوكة لأصحابها المعنيين. الرسوم التوضيحية غير ملزمة. وتضع المحتويات والتصميمات والمواد للتغيير دون إشعار وقد تختلف من بلد إلى آخر. صنع في الصين.

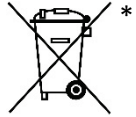
توصيات الحماية البيئية

في الاتحاد الأوروبي: عند انتهاء صلاحية المنتج، يجب عدم التخلص منه مع النفايات المنزلية العادية، لكن يوضع في نقطة تجميع خاصة بالتخلص من نفايات المعدات الكهربائية والإلكترونية (WEEE).

ويؤكد ذلك الرمز الموجود على المنتج أو دليل المستخدم أو الغلاف. يمكن إعادة تدوير المواد، على حسب خصائصها. من خلال إعادة التدوير والأشكال الأخرى لمعالجة نفايات المعدات الكهربائية والإلكترونية، يمكنك المشاركة بفعالية في المساعدة على حماية البيئة.

يرجى الاتصال بالسلطات المحلية لديك للحصول على معلومات حول نقطة التجميع الأقرب إليك.

بالنسبة لكافة البلدان الأخرى: يرجى الالتزام بقوانين إعادة التدوير المحلية الخاصة بالمعدات الكهربائية والإلكترونية.



احتفظ بهذه المعلومات. قد تختلف الألوان والزخارف.

يجب إزالة المواد المثبتة واللاصقة من المنتج قبل استخدامه.

هذا المنتج متوافق مع كافة المعايير المتعلقة بالأطفال من سن 14 عامًا وأكثر. هذا المنتج غير مناسب للاستخدام بواسطة الأطفال أقل من 14 سنة.

www.thrustmaster.com

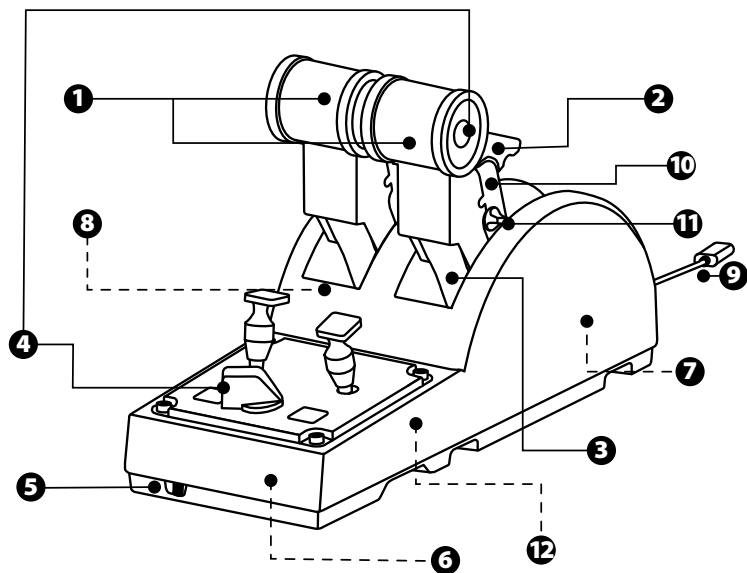
*ينطبق على الاتحاد الأوروبي وتركيا فقط

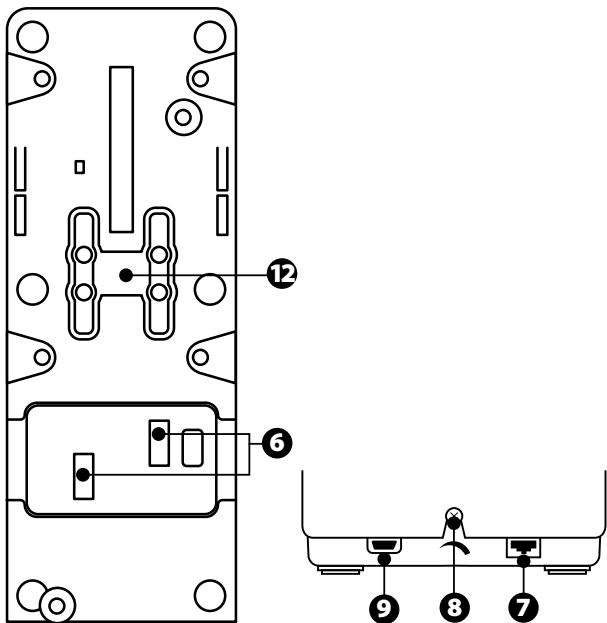


TCA QUADRANT AIRBUS EDITION

Bruksanvisning

TEKNISKA DELAR





- | | |
|---|--|
| <ol style="list-style-type: none"> 1. X- och Y-axlar för gasreglaget 2. Reverseringsmekanism på varje axel 3. Fyra spärrar per axel — fyra virtuella knappar per axel 4. Åtta actionknappar 5. Motorväxlingsknapp: 1/2 eller 3/4 6. SATA-kontakter för externa TCA Quadrant Add-On Airbus Edition-moduler (tillbehör som säljs separat) | <ol style="list-style-type: none"> 7. Kontakt för rodersystemet TFRP (säljs separat) 8. Friktionskruv 9. USB-kontakt (typ B) 10. Plats för anslutningsstången 11. Mekanism för aktivering/inaktivering av reverseringssystemet på varje axel 12. Mekanism för aktivering/inaktivering av spärrarna på varje axel |
|---|--|

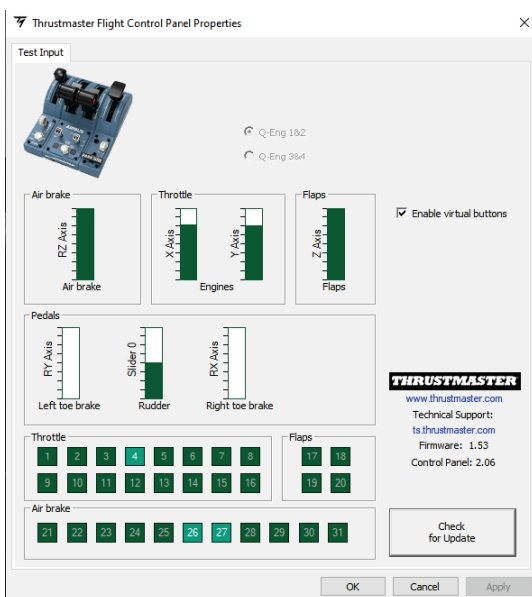
INSTALLATION PÅ PC

1. Gå till <https://support.thrustmaster.com/>. Klicka på **Joystickar / TCA Quadrant Airbus Edition**, och välj sedan **Drivrutiner**. Ladda ner och installera PC-drivrutinen och dess anpassade gränssnitt för Kontrollpanelen i Windows.
2. När PC-drivrutinen har installerats ansluter du enhetens USB-kontakt till någon av USB-portarna på din PC.
3. Öppna Kontrollpanelen genom att klicka på **Start / Appar / Thrustmaster / Kontrollpanelen** (i Windows® 10 / 8.1 / 8).

Dialogrutan **Spelkontroller** visas.

Tillbehöret visas på skärmen under namnet **TCA Q-Eng 1&2** (eller **TCA Q-Eng 3&4**, beroende på motorväxlingsknappens position [5]), tillsammans med statusen **OK**.

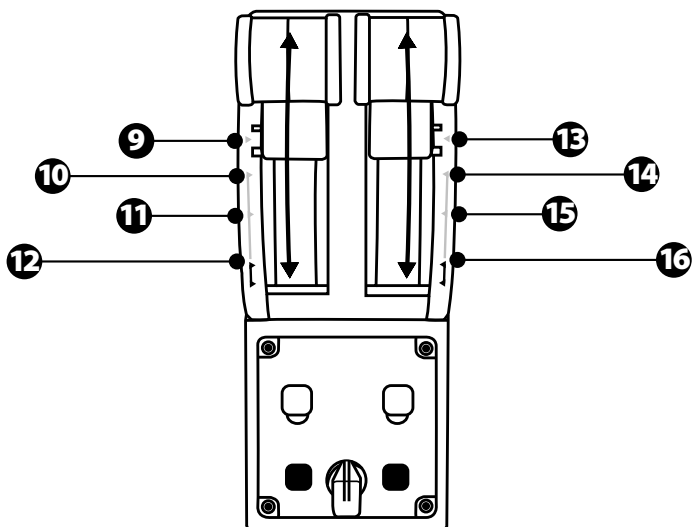
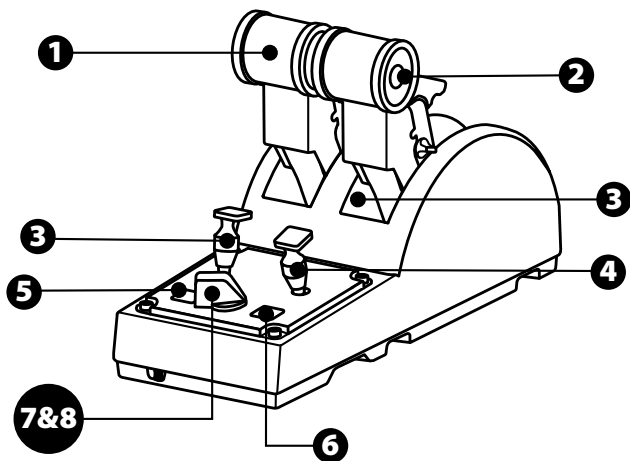
4. Klicka på **Egenskaper** i dialogrutan **Spelkontroller** för att testa och visa alla funktioner.

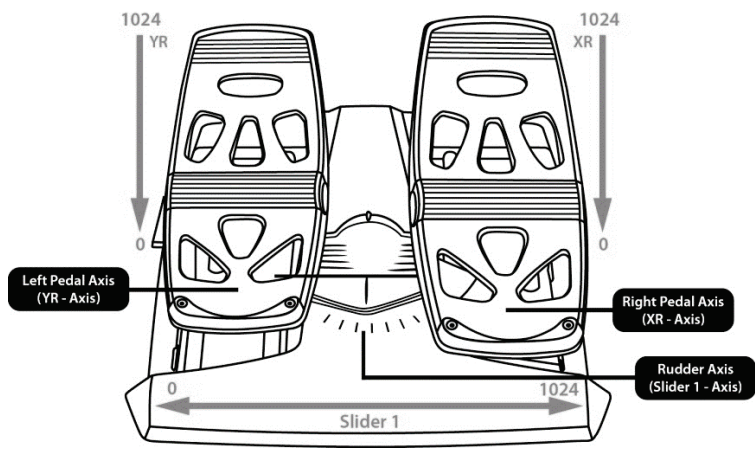
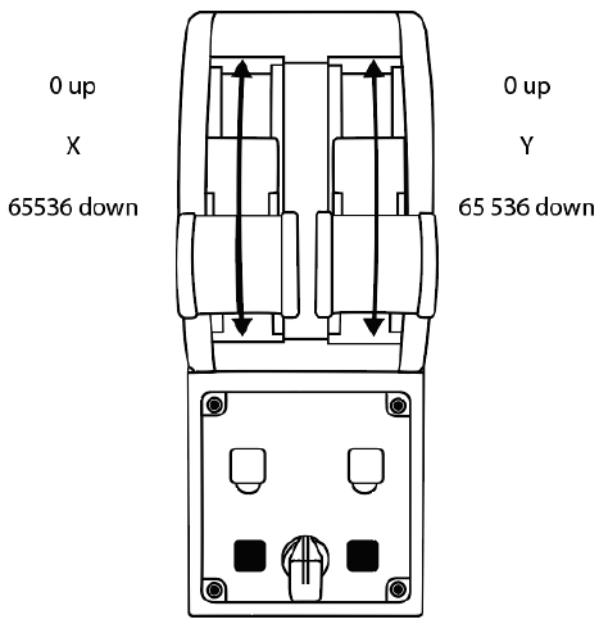


Enable virtual buttons (Aktivera virtuella knappar): Med den här funktionen kan du aktivera eller inaktivera de virtuella knapparna på gasreglagets axlar. Klicka på **Apply** (**Verkställ**) när du har valt läge.

Nu är du redo att spela!

MAPPNING AV DE 16 KNAPPARNA OCH TVÅ AXLARNÄ



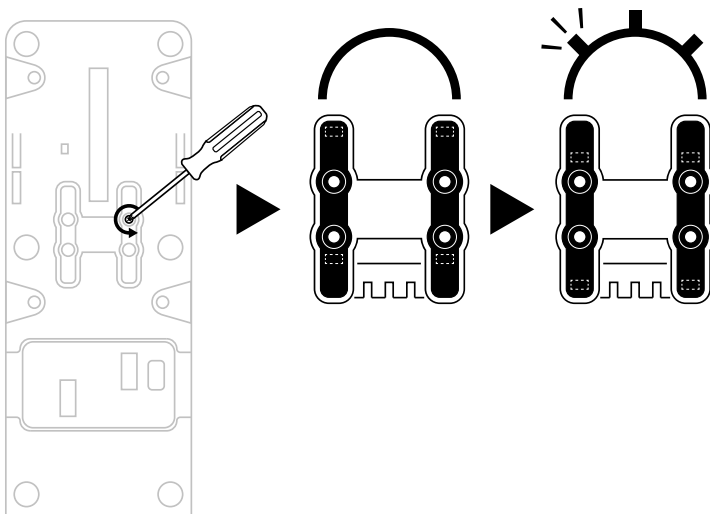


ÄNDRA PÅ GASREGLAGEKVADRANTEN TCA QUADRANT AIRBUS EDITIONS AXLAR

Gasreglagekvadranten TCA Quadrant Airbus Edition är utrustad med mekaniska växlingsknappar som gör att du kan inaktivera spärrarna/stegen på varje axel. Gör du det får du mjuka axlar samtidigt som du har tillgång till de virtuella knapparna 9 till 16.

Med detta alternativ kan du ändra känslan av att styra flygplanet beroende på vilket flygplan som används i din simulation (kommersiella eller civila flygplan).

1. Vänd upp och ner på TCA Quadrant Airbus Edition och skruva loss de två skruvarna för var och en av växlingsknapparna med hjälp av en skruvmejsel med rätt huvudform.
2. Använd indikatorerna som guide och byt position på växlingsknapparna: nu kan du välja att ha antingen en mjuk axel eller en axel med spärrar/steg för varje axel på gasreglagekvadranten TCA Quadrant Airbus Edition.

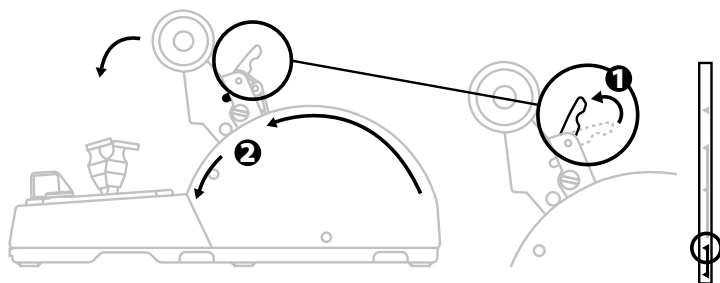


INAKTIVERA REVERSERINGSSYSTEMET PÅ GASREGLAGE- KVADRANTEN TCA QUADRANT AIRBUS EDITION

Gasreglagekvadranten TCA Quadrant Airbus Edition har ett funktionellt reverseringssystem som är en replika av det som finns i Airbus kommersiella flygplan. Du kan inaktivera reverseringsmekanismen om du vill ha pilotförhållanden som är bättre lämpade för civila flygplan.

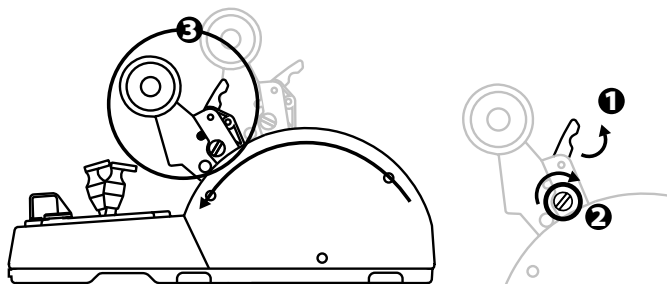
Kommersiellt trafikflygplansläge:

1. Lyft upp reverseringsmekanismen när det tar stopp.
2. Gå förbi stoppet för att använda reverseringssystemet.

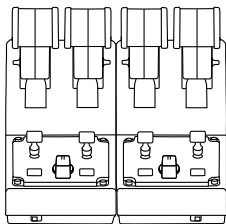


Allmän- och civilflygplansläge

1. Lyft upp reverseringsmekanismen.
2. Sätt växlingsknappen till 0 för att inaktivera reverseringsmekanismen.
3. Nu kan gasspaken röra sig genom hela axeln.

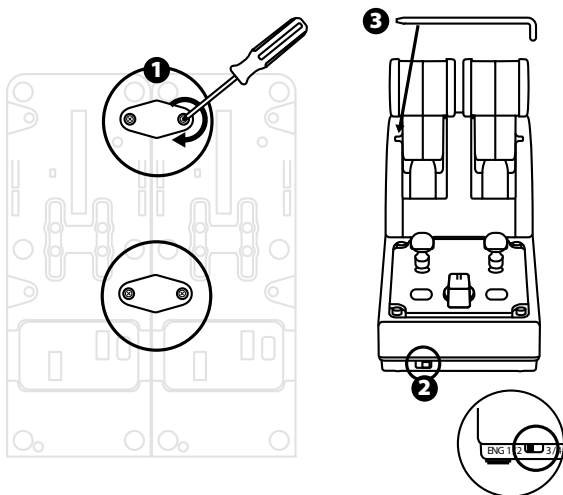


ANSLUTA TVÅ TCA QUADRANT AIRBUS EDITION- GASREGLAGEKVADRANTER

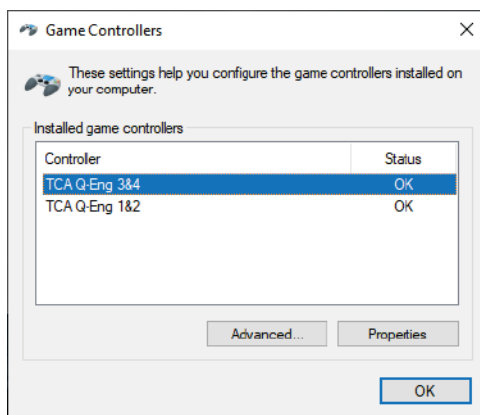


Du kan ansluta en andra TCA Quadrant Airbus Edition-gasreglagekvadrant (säljs separat): gör du det kan du använda totalt fyra axlar och kan till exempel simulera ett fyrmotorigt kommersiellt trafikflygplan.

1. Vänd upp och ner på båda TCA Quadrant Airbus Edition-gasreglagekvadranterna och skruva fast de två länkkontakterna som medföljer TCA Quadrant Airbus Edition för att koppla ihop de två enheterna.
2. På den andra gasreglagekvadranten sätter du fysiskt växlingsknappen till 3/4 för att förknippa motor 3 och 4 med den andra gasreglagekvadranten (i Kontrollpanelen på PC).
3. Koppla ihop axlarna parvis (1/2 och 3/4) för att göra det lättare att flytta dem samtidigt. Använd anslutningsstången som medföljer varje TCA Quadrant Airbus Edition för detta ändamål.

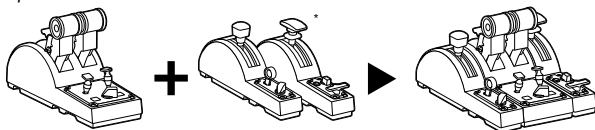


4. När båda enheterna är anslutna till din PC via USB visas de var för sig i dialogrutan **Spelkontroller**:



ANSLUTA GASREGLAGEKVADRANTEN TCA QUADRANT AIRBUS EDITION TILL TCA QUADRANT ADD-ON AIRBUS EDITION*

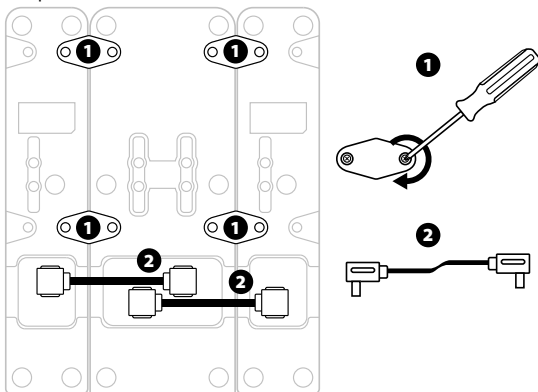
* Säljs separat



Gasreglagekvadranten TCA Quadrant Airbus Edition låter dig ansluta de extra TCA Quadrant Add-On Airbus Edition-modulerna (säljs separat) på båda sidorna om TCA Quadrant Airbus Edition.

Denna modularitet lägger till nya axlar och actionknappar och gör att du kan expandera kinematiken för gasreglagekvadranten TCA Quadrant Airbus Edition när du lyfter, flyger och landar.

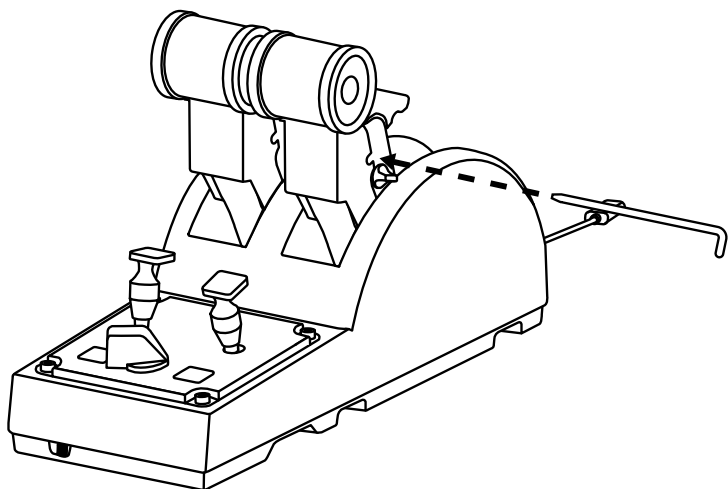
1. Vänd upp och ner på gasreglagekvadranten TCA Quadrant Airbus Edition och de två extra TCA Quadrant Add-On Airbus Edition-modulerna och använd en skruvmejsel med rätt huvudform för att skruva på de fyra länkkontakterna som medföljer gasreglagekvadranten TCA Quadrant Airbus Edition och TCA Quadrant Add-On Airbus Edition, så att alla tre enheterna sammankopplas: luftbromsmodulen till vänster om TCA Quadrant Add-On Airbus Edition, och vingklaffsmodulen till höger.
2. Anslut SATA-kablarna som medföljer TCA Quadrant Add-On Airbus Edition till SATA-kontakterna på TCA Quadrant Airbus Edition.



- För att undvika att skada produkterna ska en skruvmejsel med rätt huvudform användas när du skruvar i eller skruvar loss skruvarna.
- Använd endast de officiella kablar du fått av Thrustmaster.

KOPPLA IHOP/SEPARERA DE TVÅ GASSPAKARNA

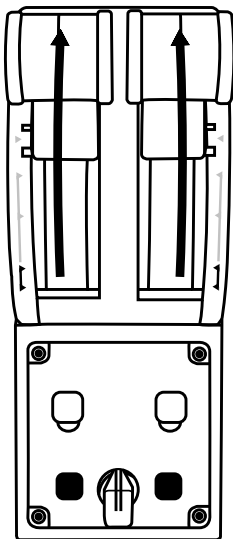
Använd anslutningsstängens som medföljer gasreglagekvadranten TCA Quadrant Airbus Edition för att koppla ihop de två gasspakarna.



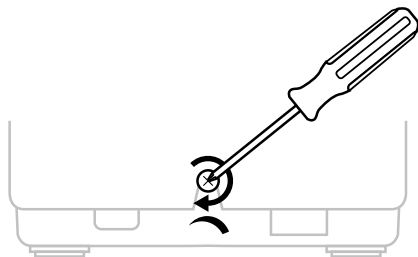
JUSTERA FRIKTIONEN

VIKTIG INFORMATION:

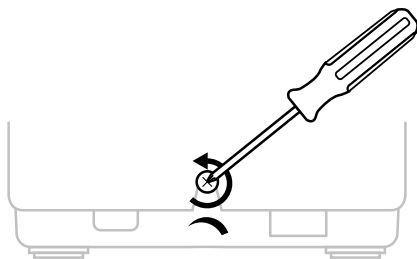
- Friktionen på de två gasspakarna är satt till 50 % som standard.
 - För att justera friktionen så den passar dig kan du använda en skruvmejsel med rätt huvudform — eller den medföljande anslutningsstängan — för att vrida på friktionsskruven.
1. Tryck fram båda gasspakarna så långt det går och leta upp friktionsskruven på baksidan av TCA Quadrant Airbus Edition.



2. Vrid friktionsskruven medsols för att öka friktionen.



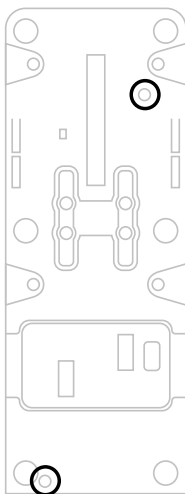
3. Vrid friktionsskruven motsols för att minska friktionen.



- Var försiktig så du inte drar åt friktionsskruven för mycket. Sluta skruva när du känner av motstånd, annars kan friktionssystemet skadas.
- Skruva aldrig loss friktionsskruven helt och hållet då den kan falla ner i TCA Quadrant Airbus Edition.

MONTERA GASREGLAGEKVADRANTEN TCA QUADRANT AIRBUS EDITION I EN COCKPIT ELLER PÅ ANNAN STATIONÄRYTA

Du kan använda de två hålen på undersidan av TCA Quadrant Airbus Edition för att montera den i en cockpit eller på annan stationär yta. Använd M6-skrivar för detta ändamål (ingår ej).



ANSLUTA RODERSYSTEMET TFRP* TILL GASREGLAGEKVADRANTEN TCA QUADRANT AIRBUS EDITION

* Säljs separat

Gasreglagekvadranten TCA Quadrant Airbus Edition har sju axlar. Tre av dessa axlar är reserverade för rodersystemet TFRP.

Rodersystemet TFRP ansluts direkt till gasreglagekvadranten TCA Quadrant Airbus Edition.

1. Anslut RJ12-kontakten (hane) för rodersystemet TFRP till RJ12-kontakten (hona) på baksidan av gasreglagekvadranten TCA Quadrant Airbus Edition.
2. Anslut gasreglagekvadranten TCA Quadrant Airbus Editions USB-kontakt till någon av USB-portarna på din PC.

Viktig information angående automatisk kalibrering av axlar:

- Roderaxeln ska alltid vara centrerad när du ansluter rodersystemet TFRP till gasreglagekvadranten TCA Quadrant Airbus Edition: ha aldrig fötterna på rodersystemet TFRP:s pedaler när du gör detta.
- Pedalernas tre axlar kalibrerar sig automatiskt efter några rörelser och efter att ha nått de fysiska stoppen för roderaxeln och de två differentialbromsarna.

AVANCERADE PROGRAMMERINGSPROGRAMMET T.A.R.G.E.T (Thrustmaster Advanced pRogramming Graphical EdiTor)

Gå till <https://support.thrustmaster.com>. Klicka på **Joystickar / TCA Quadrant Airbus Edition**, och välj sedan **Programvara**. Ladda ner och installera det avancerade programmeringsprogrammet T.A.R.G.E.T.

T.A.R.G.E.T - Huvudfunktioner:

- Olika möjliga konfigurationer för axlarna.
- Olika möjliga programmeringsnivåer: Basic, Advanced och Script.
- Använder sig av dra och släpp-principen.
- Möjligt att kombinera gasreglagekvadranten TCA Quadrant Airbus Edition med olika joystickar från Thrustmaster (HOTAS Cougar, HOTAS Warthog, T.16000M, MFD Cougar Pack - alla dessa är även kompatibla med T.A.R.G.E.T) så att de kan kännas igen som en enda USB-enhet.
- Tillgång till avancerade profiler som skapats av Thrustmasters community.



FELSÖKNING OCH VARNINGAR

- **Min TCA Quadrant Airbus Edition-gasreglagekvadrant fungerar inte som den ska eller verkar vara felkalibrerad.**
 - Stäng av din PC och frångkoppla gasreglagekvadranten TCA Quadrant Airbus Editions USB-kontakt. Anslut sedan USB-kontakten igen, slå på din PC, och starta om spelet.
 - När du ansluter gasreglagekvadranten TCA Quadrant Airbus Editions USB-kontakt ska roderaxeln alltid vara centrerad om du använder rodersystemet TFRP (säljs separat): ha aldrig fötterna på rodersystemet TFRP:s pedaler när du gör detta.
- **Jag kan inte konfigurera min TCA Quadrant Airbus Edition-gasreglagekvadrant.**
 - Gå till Options / Controller / Gamepad eller Joystick-menyn i ditt spel och välj lämplig konfiguration eller konfigurera om kontrollerns alternativ helt och hållet.
 - Se spelets bruksanvisning eller onlinehjälp för mer information.
 - Använd det avancerade programmeringsprogrammet T.A.R.G.E.T (Thrustmaster Advanced Programming Graphical Editor).
- **Min TCA Quadrant Airbus Edition-gasreglagekvadrant är för känslig eller inte tillräckligt känslig.**
 - Gasreglagekvadranten TCA Quadrant Airbus Editions axlar kalibrerar sig automatiskt efter några rörelser och efter att ha nått de fysiska stoppen för axlarna.
 - Gå till Options / Controller / Gamepad eller Joystick-menyn i ditt spel och justera känsligheten och dödzonerna för din controller (om dessa alternativ finns).
 - Använd det avancerade programmeringsprogrammet T.A.R.G.E.T (Thrustmaster Advanced Programming Graphical Editor).



Denna enhet är endast avsedd att användas för underhållning i spel. Det är strängt förbjudet att använda enheten som ett professionellt träningsredskap.

GARANTIINFORMATION

Guillemot Corporation S.A., med säte i Place du Granier, B.P. 97143, 35571 Chantepie, Frankrike (hädanefter "Guillemot") garanterar globalt för konsumenten att denna Thrustmaster-produkt ska vara fri från defekter i material och utförande, under en garantiperiod som motsvarar tidsgränsen för att vidta åtgärder mot Guillemot om konsumenten anser att produkten inte är fri från defekter i material och utförande. I länderna i Europeiska unionen motsvarar detta en period på två (2) år från leveransen av Thrustmaster-produkten. I andra länder motsvarar garantiperioden tidsgränsen för att vidta åtgärder mot Guillemot om konsumenten anser att Thrustmaster-produkten inte är fri från defekter i material och utförande enligt de lagar som gäller i landet där konsumenten var bosatt vid inköpsdatumet för Thrustmaster-produkten (om ingen sådan åtgärd existerar i det motsvarande landet ska garantiperioden vara ett (1) år från ursprungligt inköpsdatum av Thrustmaster-produkten).

Trots ovanstående omfattas laddningsbara batterier av en garantiperiod på sex (6) månader från ursprungligt inköpsdatum.

Om produkten skulle visa sig vara defekt under garantiperioden ska du genast kontakta tekniska supporten som då informerar om hur du går vidare. Om defekten bekräftas måste produkten returneras till inköpsstället (eller annat ställe angivet av tekniska supporten).

Inom ramen för denna garanti ska konsumentens defekta produkt, efter tekniska supportens gottfinnande, antingen ersättas eller repareras så att den fungerar. Om Thrustmaster-produkten under garantiperioden är föremål för sådan renovering, ska alla perioder på minst sju (7) dagar under vilka produkten inte kan användas läggas till återstående garantiperiod (denna period löper från det datum då konsumenten bad om service eller från det datum då produkten ifråga gjorts tillgänglig för reparation, om datumet då produkten gjorts tillgänglig för reparation ligger efter datumet då konsumenten bad om service). Om det är tillåtet enligt gällande lag är Guillemot och dess dotterbolags fulla ansvar (inklusive följdskador) begränsat till att reparera eller ersätta Thrustmaster-produkten. Om det är tillåtet enligt gällande lag fränsäger sig Guillemot alla garantier för säljbarhet eller lämplighet för ett visst syfte.

Garantin gäller inte: (1) om produkten har modifierats, öppnats, ändrats eller skadats till följd av olämplig användning eller missbruk, försumlighet, olycka, normalt slitage eller annan orsak som inte är relaterad till material- eller tillverkningsfel (inklusive, men inte begränsat till, att kombinera Thrustmaster-produkten med någon olämplig del, i synnerhet nätaggregat, laddningsbara batterier, laddare, eller andra delar som Guillemot inte tillhandahåller för denna produkt); (2) om produkten har använts för annan användning än hemanvändning, inklusive för professionella eller kommersiella ändamål (t.ex. spelrum, träning, tävlingar); (3) om instruktionerna från teknisk support inte följs; (4) programvara, då programvaran har en egen garanti; (5) förbrukningsvaror (delar som byts ut under produktens livslängd: t.ex. engångsbatterier eller öronkuddar till headset eller hörlurar); (6) tillbehör (t.ex. kablar, fodral, påsar, väskor, handledsremmar); (7) om produkten såldes på e offentlig auktion.

Denna garanti är inte överlåtbar.

Konsumentens juridiska rättigheter med avseende på lagar som gäller för försäljning av konsumentvaror i hans land påverkas inte av denna garanti.

Ytterligare garantibestämmelser

Under garantiperioden ska Guillemot i princip inte tillhandahålla några reservdelar eftersom teknisk support är den enda part med behörighet att öppna och/eller renovera Thrustmasters produkter (med undantag för renoveringar som teknisk support ber konsumenten att utföra med hjälp av skriftliga instruktioner – till exempel om renoveringen är enkel och ej konfidentiell – och genom att i gällande fall förse konsumenten med de reservdelar som behövs).

Med tanke på dess innovationscykler och för att skydda dess kunskaper och affärshemligheter, ska Guillemot i princip inte tillhandahålla några renoveringsinstruktioner eller reservdelar för någon Thrustmaster-produkt vars garantiperiod har löpt ut.

I USA och Kanada är denna garanti begränsad till produktens interna mekanism och externa hölje. Guillemot eller dess dotterbolag ska under inga omständigheter hållas ansvariga av tredje part vad gäller eventuella följskador eller oförutsedda skador som uppstår till följd av brott mot uttryckliga eller underförstådda garantier. Vissa delstater/provinsar tillåter inte att man begränsar hur länge en underförstådd garanti varar eller att man utesluter eller ansvarsbegränsar följskador eller oförutsedda skador, så ovanstående begränsningar eller utslutningar kanske inte gäller dig. Denna garanti ger dig specifika juridiska rättigheter, och du kan också ha andra rättigheter som varierar från delstat till delstat eller provins till provins.

Ansvar

Om det är tillåtet enligt gällande lag fransäger sig Guillemot Corporation S.A. (hädanefter "Guillemot") och dess dotterbolag allt ansvar för eventuella skador orsakade av följande: (1) produkten har modifierats, öppnats eller ändrats; (2) underlåtenhet att följa monteringsanvisningarna; (3) olämplig användning eller missbruk, försumlighet, en olycka (t.ex. att produkten tappas); (4) normalt slitage; (5) produkten har använts för annan användning än hemanvändning, inklusive för professionella eller kommersiella ändamål (t.ex. spelrum, träning, tävlingar). Om det är tillåtet enligt gällande lag fransäger sig Guillemot och dess dotterbolag allt ansvar för eventuella skador som inte är relaterade till material- eller tillverkningsfel när det gäller produkten (inklusive, men inte begränsat till, skador som direkt eller indirekt orsakats av någon programvara eller genom att kombinera Thrustmaster-produkten med någon olämplig del, i synnerhet nättaggregat, laddningsbara batterier, laddare, eller andra delar som Guillemot inte tillhandahåller för denna produkt).

THRUSTMASTER®

TEKNISK SUPPORT

<https://support.thrustmaster.com>



UPPHOVSRÄTTSSKYDD

© 2020 Guillemot Corporation S.A. Med ensamrätt. Thrustmaster® är ett registrerat varumärke som tillhör Guillemot Corporation S.A. Windows® är ett registrerat varumärke som tillhör Microsoft Corporation i USA och/eller andra länder.

AIRBUS, dess logotyp och produkt- och servicemärken är registrerade varumärken som tillhör Airbus. Med ensamrätt.

© Airbus 2020. Med ensamrätt. Officiellt licensierad av Airbus.

Alla andra varumärken tillhör sina respektive ägare. Illustrationer är inte bindande. Innehåll, konstruktion och specifikationer kan ändras utan föregående meddelande och kan variera från land till land. Tillverkad i Kina. Officiellt licensierad produkt av Department of the Air Force. Vi varken avser eller antyder att amerikanska flygvapnet stödjer produkten.

MILJÖSKYDD



* I Europeiska unionen: När produkten har slutat fungera ska den inte slängas i vanligt hushållsavfall, utan kasseras vid en uppsamlingsplats för bortskaffandet av elektriskt och elektroniskt avfall (WEEE) för återvinning.

Detta bekräftas av symbolen på produkten, bruksanvisningen eller förpackningen.

Beroende på dess egenskaper kan materialet kanske återvinnas. Genom återvinning och andra sätt att hantera elektriskt och elektroniskt avfall kan du göra ett viktigt bidrag till att hjälpa till att skydda miljön.

Kontakta dina lokala myndigheter för information om uppsamlingsplatsen som är närmast dig.

För alla andra länder: Följ lokala återvinningslagar för elektriskt och elektroniskt avfall.

Behåll denna information. Färger och dekorationer kan variera.

Plastfästen och lim/klister/tejp bör avlägsnas från produkten innan den används.

Denna produkt överensstämmer med alla normer gällande barn som är 14 år och äldre. Denna produkt är inte lämplig att användas av barn under 14 år.

www.thrustmaster.com

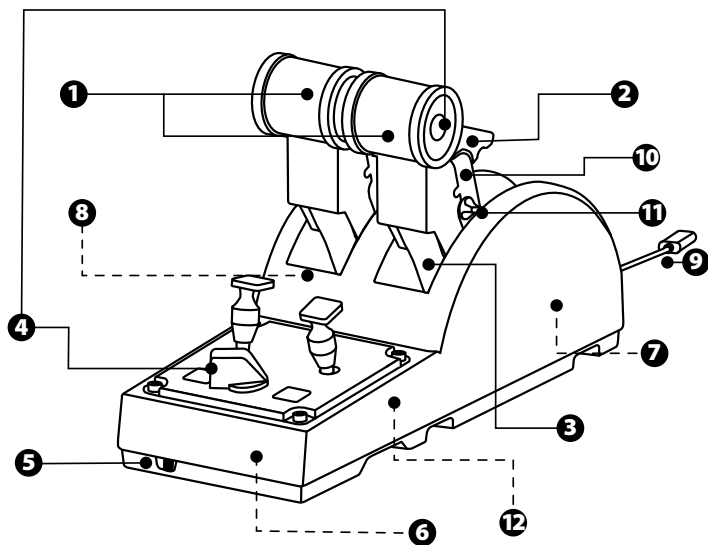
**Gäller endast EU och Turkiet*

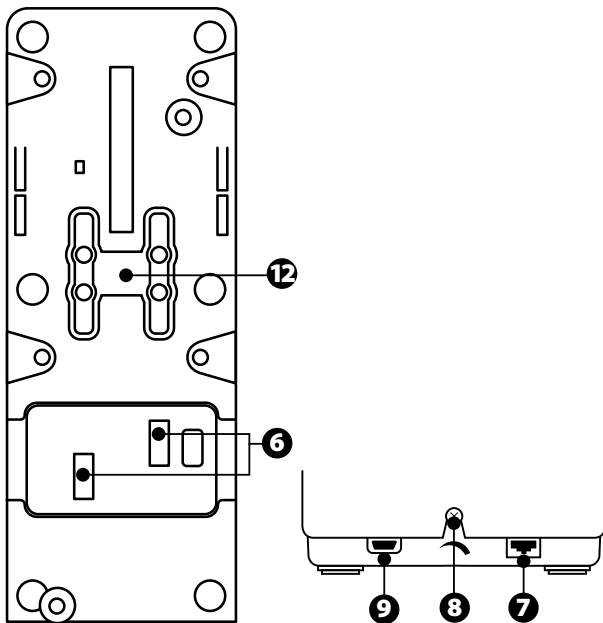


TCA QUADRANT AIRBUS EDITION

Käyttöohje

TEKNISET OMINAISUUDET





- | | |
|--|---|
| <ol style="list-style-type: none"> 1. kaasun X- ja Y-akselit 2. työnnön suunnanvaihdin joka akselille 3. 4 pykälää akselia kohden – 4 virtuaalipainiketta akselia kohden 4. 8 toimintopainiketta 5. moottorivalintakytkin: 1/2 tai 3/4 6. SATA-liittimet ulkoisille TCA Quadrant Add-On Airbus Edition -moduuleille (lisäosa myydään erikseen) | <ol style="list-style-type: none"> 7. (Erikseen myytävän) TFRP-peräsinjärjestelmän liitäntä 8. kitkansäätöruuvi 9. USB-liitin (B-tyyppi) 10. poikkivarren paikka 11. akselikohtaisen työnnön suunnanvaihtimen käyttö-/poiskytkentämekanismi 12. akselien pykälien käyttö-/poiskytkentämekanismi |
|--|---|

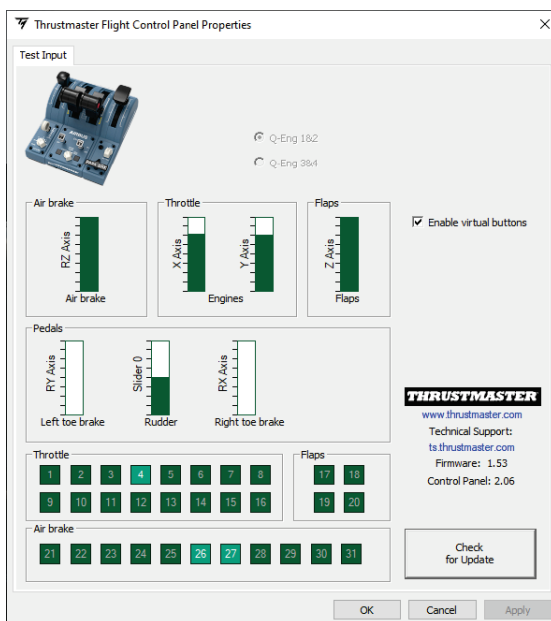
PC-ASENNUS

1. Mene osoitteeseen <https://support.thrustmaster.com>. Valitse ensin **Joysticks / TCA Quadrant Airbus Edition** ja sitten **Drivers**. Lataa ja asenna PC-ajuriohjelmisto ja sen mukautettava Windowsin Ohjauspaneelin rajapinta.
2. Asennettuasi PC-ajurit kytke laitteen USB-liitin johonkin PC-tietokoneesi USB-porteista.
3. Avataksesi Ohjauspaneelin valitse **Aloitus / Sovellukset / Thrustmaster / Ohjauspaneeli** (Windows® 10 / 8.1 / 8).

Näkyville tulee **Peliohjaimet**-valintaikkuna.

Laitte löytyy näytöltä nimellä **TCA Q-Eng 1&2** (tai **TCA Q-Eng 3&4**, riippuen moottorivalintakytkimen asennosta [5]), ja sentilan tulisi olla **OK**.

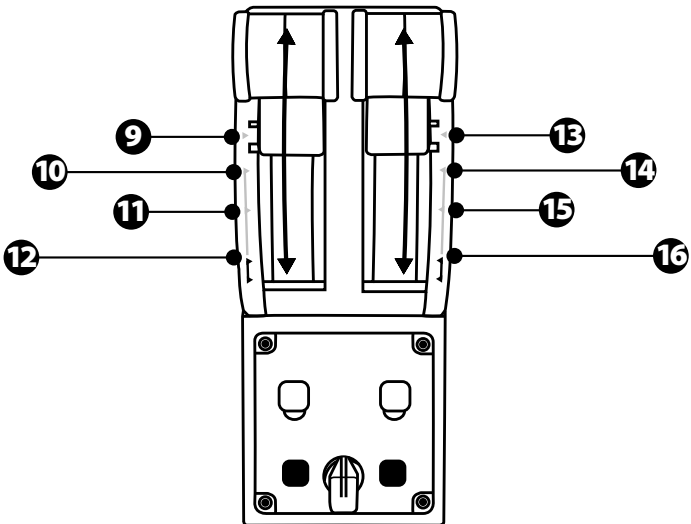
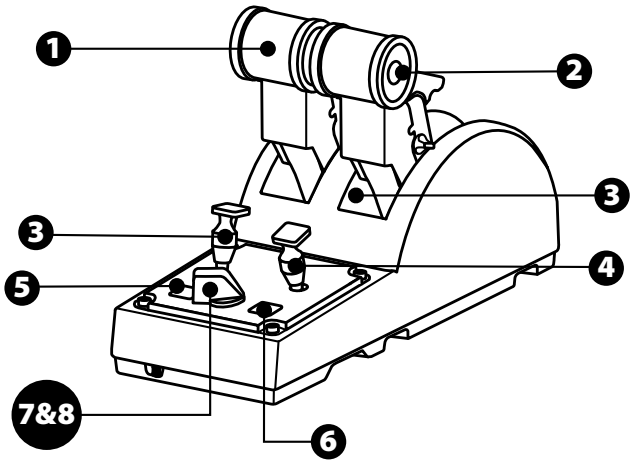
4. Valitse **Peliohjaimet**-valintaikkunasta **Ominaisuudet** testataksesi ja tarkastellaksesi ominaisuuksia.

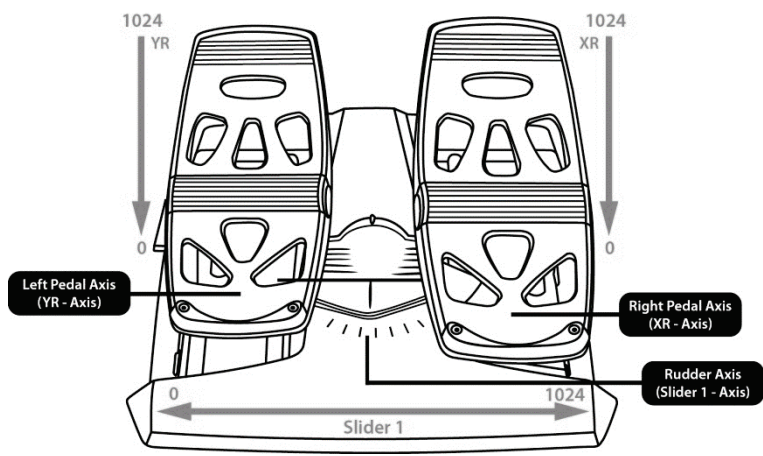
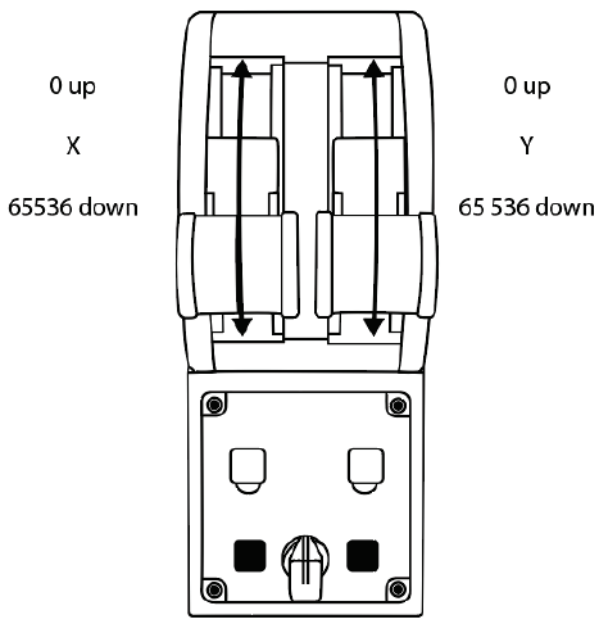


Enable virtual buttons (Ota virtuaalipainikkeet käyttöön): Voit tämän ominaisuuden avulla ottaa käyttöön tai poistaa käytöstä kaasuskelin virtuaalipainikkeet. Napsauta **Apply** (**Käytä**), kun olet valinnut tilan.

Voit nyt ryhtyä pelaamaan!

16 PAINIKKEEN JA 2 AKSELIN KARTOITUS



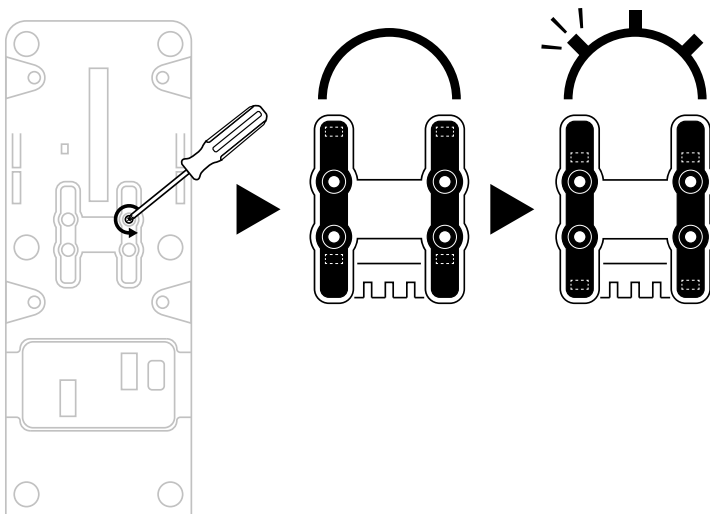


AKSELIMUUTOSTEN TEKEMINEN TCA QUADRANT AIRBUS EDITION -KAASUVIPUKAAREEN

TCA Quadrant Airbus Edition -kaasuvipukaari sisältää mekaaniset valitsimet, joiden avulla voit ottaa kunkin akselin pykälät pois käytöstä. Näin liike akselilla on pehmeää, ja voit yhä käyttää virtuaalipainikkeita 9–16.

Valinta mahdollistaa lentokokemuksen mukauttamisen lentokonetyyppiä vastaavaksi (kaupallisen liikenteen kone tai siviilikone).

1. Käännä TCA Quadrant Airbus Edition ylösalaisin ja irrota kunkin valitsimen kaksi ruuvia ruuvipäätä vastaavalla ruuvimeisselillä.
2. Muuta valitsimen asentoa käyttäen merkintöjä apunasi. Voit valita kunkin akselin kohdalla, onko liike portaaton vai onko TCA Quadrant Airbus Edition -kaasuvipukaaren akseli jaettu pykäliin.

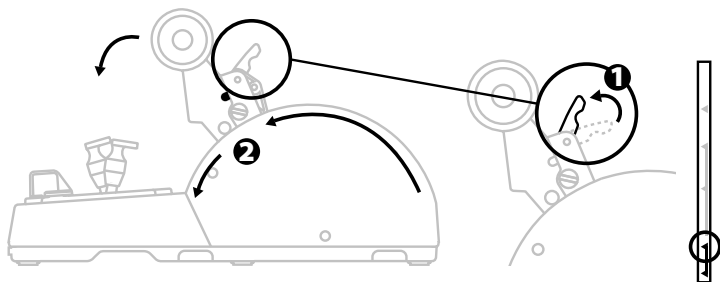


TCA QUADRANT AIRBUS EDITION -KAASUVIPUKAAREN TYÖNNÖN SUUNNANVAIHTIMEN POISKYTKENTÄ

TCA Quadrant Airbus Edition -kaasuvipukaari sisältää työnnon suunnanvaihtimet, jotka on mallinnettu Airbusin reittiliikenteeseen suunniteltujen kaasujen mukaan. Voit ottaa suunnanvaihtomekanismin pois käytöstä halutessasi lentää kuten siviililentokoneita lennetään.

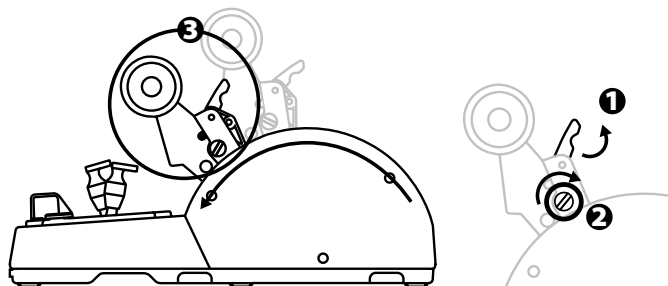
Liikennelentotila:

1. Vivun ollessa pysäyttimen kohdalla nosta työnnon suunnanvaihtimen mekanismi ylös.
2. Voit käyttää suunnanvaihtoa jatkamalla pysäyttimen ohi.

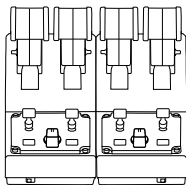


Yleis- ja siviililentotila:

1. Nosta työnnon suunnanvaihtimen mekanismi ylös.
2. Käännä valitsin 0-asentoon ottaaksesi suunnanvaihdon pois käytöstä.
3. Kaasuvivun koko liikeakseli on nyt käytössä.

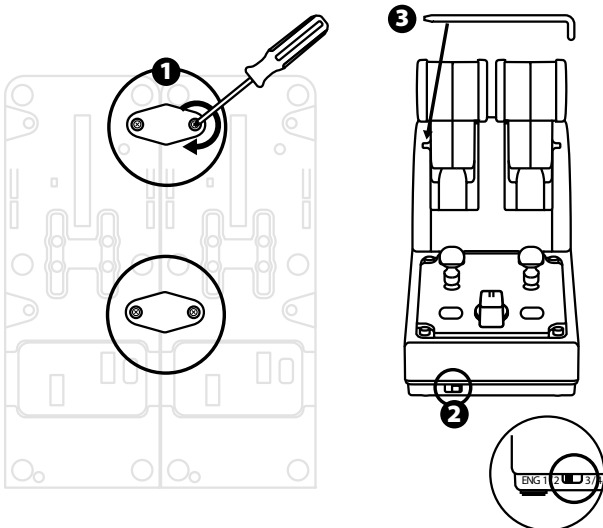


KAHDEN TCA QUADRANT AIRBUS EDITION -KAASUVIPUKAAREN YHDISTÄMINEN

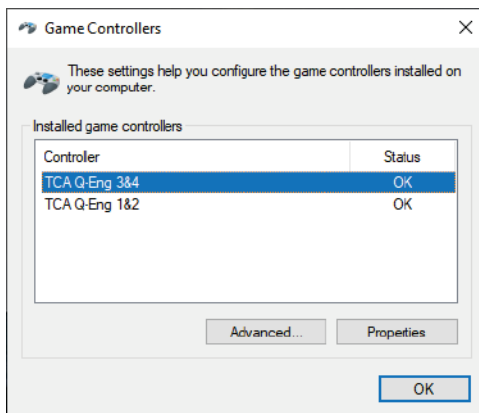


Voit kytkeä myös toisen TCA Quadrant Airbus Edition -kaasuvipukaaren (myydään erikseen). Kaksoiskytkentä antaa käyttöösi yhteensä 4 akselia, jotta voit simuloida esimerkiksi nelimoottorista liikennelentokonetta.

1. Käännä molemmat TCA Quadrant Airbus Edition -kaasuvipukaaret ylösalaisin ja kiinnitä TCA Quadrant Airbus Editionin mukana tulleet kaksi liitospalaa ruuveilla paikoilleen kytkeäkseen laitteet toisiinsa.
2. Aseta toisen kaasuvipukaaren valintakytkin fyysisesti asentoon 3/4, jotta voit yhdistää moottorit 3 ja 4 kyseiseen kaasuvipukaareen (PC:n Ohjauspaneelissa).
3. Kytke akselit pareittain (1/2 ja 3/4), jotta niitä on helpompi liikuttaa yhtä aikaa. Käytä siihen kunkin TCA Quadrant Airbus Editionin mukana tullutta poikivartta.

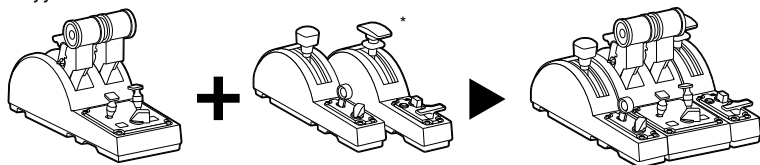


4. Kun molemmat laitteet on kytketty PC-tietokoneeseen USB-liitännällä, ne näkyvät erikseen **Peliohjaimet**-valintaikkunassa:



TCA QUADRANT AIRBUS EDITION -KAASUVIPUKAAREN YHDISTÄMINEN TCA QUADRANT ADD-ON AIRBUS EDITIONIIN*

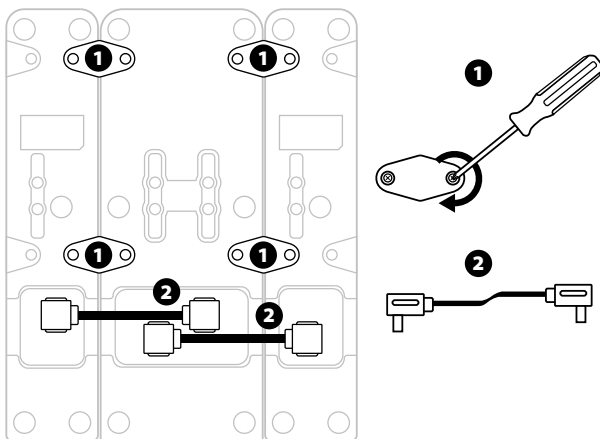
* Myydään erikseen



Voit kytkeä TCA Quadrant Airbus Edition -kaasuvipukaaren molemmille puolille TCA Quadrant Add-On Airbus Edition -lisämoduulit (myydään erikseen).

Moduulikytkentä tuo käyttöösi lisää akseleita ja toimintopainikkeita, ja voit laajentaa sen avulla TCA Quadrant Airbus Edition -kaasuvipukaaren nousun, lennon ja laskeutumisen liikemekaniikkaa.

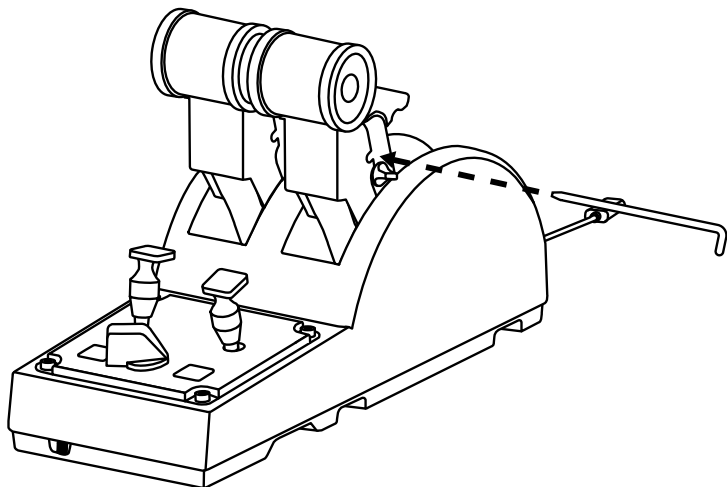
1. Käännä TCA Quadrant Airbus Edition -kaasuvipukaari ja kaksi TCA Quadrant Add-On Airbus Edition -lisämoduulia ylösalaisin. Käytä ruuvien päitä vastaavaa ruuvimeisseliä ja kiinnitä TCA Quadrant Airbus Editionin ja TCA Quadrant Add-On Airbus Editionien mukana tulleet liitospalat laitteisiin kytkäksesi ne toisiinsa. Sijoita lentojarrumoduuli TCA Quadrant Airbus Editionin vasemmalle puolelle ja laskusiivekemuoduli oikealle puolelle.
2. Kytke TCA Quadrant Add-On Airbus Editionin mukana tulleet SATA-johdot TCA Quadrant Airbus Editionin SATA-liittimiin.



- Käytä ruuvien päitä vastaavaa ruuvimeisseliä ruuvien kiristämiseen/löysyttämiseen, jottei tuote vaurioidu.
- Käytä ainoastaan Thrustmasterin virallisia johtoja.

KAHDEN KAASUVIVUN YHDISTÄMINEN/EROTTAMINEN

Käytä TCA Quadrant Airbus Edition -kaasuvipukaaren mukana tullutta poikkivartta kytkeäksesi kaasuvivut toisiinsa.

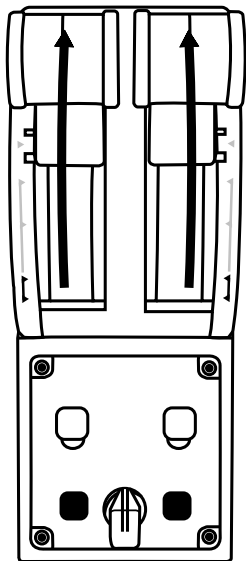


KITKAN SÄÄTÖ

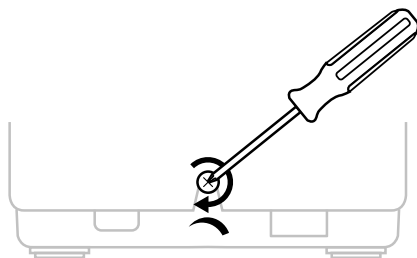
TÄRKEITÄ HUOMIOITA:

- Kahden kaasuvivun kitkaksi on oletusarvoisesti asetettu 50 %.
- Voit säätää kitkan tarkalleen mieleisekseen kääntämällä säätöruuvia ruuvien päätä vastaavalla ruuvimeisselillä tai laitteen mukana tulleella poikkivarrella.

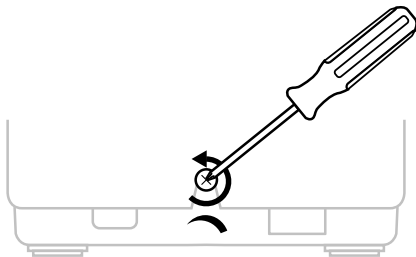
1. Työnnä molemmat kaasuvivut etuäärasentoon ja käytä TCA Quadrant Airbus Editionin takaa löytyvää kitkansäätöruuvia.



2. Voit lisätä vastusta kääntämällä säätöruuvia myötäpäivään.



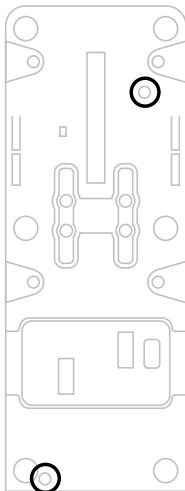
3. Voit vähentää vastusta kääntämällä säätöruuvia vastapäivään.



- Ole varovainen, äläkä kiristä säätöruuvia liikaa, jottet vahingoita kitkajärjestelmää. Lopeta kiristäminen, kun tunnet vastustusta.
- Älä koskaan irrota säätöruuvia, jottei se putoa TCA Quadrant Airbus Editionin kotelon sisään.

TCA QUADRANT AIRBUS EDITION -KAASUVIPUKAAREN KIINNITTÄMINEN OHJAAMON TAI MUUHUN KIINTEÄÄN ALUSTAAN

Voit käyttää kahta TCA Quadrant Airbus Editionin pohjasta löytyvää upotusta kiinnittääksesi laitteen ohjaamoon tai muuhun kiinteään alustaan M6-ruuveilla (ostettava erikseen).



TFRP*-PERÄSINJÄRJESTELMÄN YHDISTÄMINEN TCA QUADRANT AIRBUS EDITION -KAASUVIPUKAAREEN

* Myydään erikseen

TCA Quadrant Airbus Edition -kaasuvipukaareissa on 7 akselia, joista 3 on varattu TFRP-peräsinjärjestelmälle.

TFRP-peräsinjärjestelmä voidaan kytkeä suoraan TCA Quadrant Airbus Edition -kaasuvipukaareen.

1. Kytke TFRP-peräsinjärjestelmän urospuolinen RJ12-liitin TCA Quadrant Airbus Edition in takaa löytyvään naaraspuoliseen RJ12-liittimeen.
2. Kytke TCA Quadrant Airbus Edition -kaasuvipukaaren USB-liitin johonkin PC-tietokoneesi USB-porteista.

Tärkeää tietoa akselien automaattikalibroinnista

- Jätä peräsinakseli aina keskiasentoon yhdistäessäsi TFRP-peräsinjärjestelmän TCA Quadrant Airbus Edition -kaasuvipukaareen. Älä koskaan pidä jalkojasi TFRP-peräsinjärjestelmän polkimilla yhdistäessäsi laitteita.
- Polkimien 3 akselia kalibroituvat automaattisesti muutaman liikkeen kuluttua ja saavutettuaan peräsinakselin ja 2 differentiaalijarrun akselien fyysiset pysäyttimet.

T.A.R.G.E.T-OHJELMISTO EDISTYNEESEEN OHJELMOINTIIN (Thrustmaster Advanced pROgramming Graphical EdiTOr)

Mene osoitteeseen <https://support.thrustmaster.com>. Valitse ensin **Joysticks / TCA Quadrant Airbus Edition** ja sitten **Software**. Lataa ja asenna T.A.R.G.E.T-ohjelmisto edistynyttä ohjelmointia varten.

T.A.R.G.E.T-ohjelmiston keskeiset ominaisuudet

- Eri asetuksia akseleille
- Useita ohjelmointitasoja: Basic, Advanced ja Script.
- Vedä ja pudota -käyttöperiaate
- Mahdollisuus yhdistää TCA Quadrant Airbus Edition -kaasuvipukaari useisiin eri Thrustmaster-ohjaussauvoihin (HOTAS Cougar, HOTAS Warthog, T.16000M, MFD Cougar Pack, jotka ovat myös T.A.R.G.E.T-yhteensopivia), minkä myötä kokonaisuus voidaan tunnistaa yhtenä USB-laitteena.
- Pääsy Thrustmaster-yhteisön luomiin edistyneisiin ohjausprofileihin



VIANMÄÄRITYS JA VAROITUKSET

- **TCA Quadrant Airbus Edition -kaasuvipukaari ei toimi oikein, tai se on kalibroitu väärin.**
 - Sammuta PC:si ja irrota TCA Quadrant Airbus Edition -kaasuvipukaaren USB-liitin. Kytke USB-liitin uudelleen, käynnistä PC ja avaa peli.
 - Kytkiessäsi TCA Quadrant Airbus Edition -kaasuvipukaaren USB-liitintä jätä peräsinakseli aina keskiasentoon, jos käytät TFRP-peräsinjärjestelmää (myydään erikseen). Älä koskaan pidä jalkojasi TFRP-peräsinjärjestelmän polkimilla yhdistäessäsi laitteita.
- **En saa määritettyä TCA Quadrant Airbus Edition -kaasuvipukaaren asetuksia.**
 - Valitse pelisi Asetukset-, Ohjain-, Peliohjain- tai Joystick-valikosta sopivat painikemääritykset tai määritä itse peliohjaimen asetukset.
 - Etsi lisätietoja pelin käyttöoppaasta tai Internetistä.
 - Käytä T.A.R.G.E.T (Thrustmaster Advanced pRogramming Graphical EdiTor) -ohjelmistoa edistyneeseen ohjelmointiin.
- **TCA Quadrant Airbus Edition -kaasuvipukaari on liian herkkä tai ei ole tarpeeksi herkkä.**
 - TCA Quadrant Airbus Edition -kaasuvipukaaren akselit kalibroivat automaattisesti muutaman liikkeen kuluttua ja saavutettuaan akselien fyysiset pysäyttimet.
 - Säädä peliohjaimen herkkyyttä ja kuolleita alueita pelin Asetukset-, Ohjain-, Peliohjain- tai Joystick-valikosta (jos mahdollista).
 - Käytä T.A.R.G.E.T (Thrustmaster Advanced pRogramming Graphical EdiTor) -ohjelmistoa edistyneeseen ohjelmointiin.



Laite on tarkoitettu vain viihteelliseen pelaamiseen. On ehdottomasti kiellettyä käyttää tätä laitetta ammattimaiseen harjoitteluun.

KULUTTAJAN TAKUUTIEDOT

Maailmanlaajuinen, Guillemot Corporation S.A., jonka rekisteröity toimisto sijaitsee osoitteessa Place du Granier, B.P. 97143, 35571 Chantepie, France (tästä eteenpäin "Guillemot"), takaa asiakkaille, että tämä Thrustmaster-tuote on materiaaleista ja työn laadusta johtuvista vioista vapaa takuuajan verran. Kaikki toimet sen noudattamiseksi on nostettava tämän aikarajan sisällä. Euroopan Union jäsenvaltioissa se vastaa kahta (2) vuotta Thrustmaster-tuotteen toimituksesta. Muissa maissa takuu-aika vastaa Thrustmaster-tuotteen noudattamisvaatimusten aikarajaa sen maan asiaankuuluvien lakien mukaisesti, jonka asukas kuluttaja oli Thrustmaster-tuotteen ostopäivänä (mikäli kyseisessä maassa ei ole tällaisia vaatimuksia, takuuajan kesto on yksi (1) vuosi Thrustmaster-tuotteen ostopäivästä).

Yllä olevasta huolimatta ladattavilla akuilla on kuuden (6) kuukauden takuu ostopäivästä lähtien.

Mikäli tuote vaikuttaa takuuajan aikana vialliselta, ota välittömästi yhteyttä tekniseen tukeen, joka kertoo noudettavista toimenpiteistä. Jos vika vahvistetaan, tuote täytyy palauttaa sen ostopaikkaan (tai muuhun teknisen tuen osoittamaan paikkaan).

Tämän takuun puiteissa kuluttajan viallinen tuote joko korvataan uudella tai palautetaan toimintakuntoon teknisen tuen valinnan mukaan. Jos takuuajan aikana Thrustmaster-tuotteelle tehdään korjaustoimia, mikä tahansa vähintään seitsemän (7) päivää kestänyt jakso, jolloin tuote ei ole käytettävissä, lisätään jäljellä olevaan takuu-aikaan (jakso alkaa siitä päivästä, kun asiakas pyytää tukitoimia tai kun kyseessä oleva tuote luovutetaan korjattavaksi, mikäli korjaukseen luovuttamisen päivämäärä on myöhäisempi kuin tukitoimipyynnön). Mikäli asiaankuuluva laki sen sallii, Guillemotin ja sen tytäryhtiöiden täysi vastuuvollisuus (mukaan lukien välilliset vahingot) rajoittuvat Thrustmaster-tuotteen toiminnan palauttamiseen tai sen korvaamiseen uudella. Mikäli asiaankuuluva laki sen sallii, Guillemot kiistää kaikki takuut tuotteen myytävyydestä tai sopivuudesta tiettyyn tarkoitukseen.

Tämä takuu ei ole voimassa: (1) mikäli tuotetta on muokattu, avattu, muunneltu tai se on kärsinyt vahinkoa epäasiallisen tai huonon käytön, huolimattomuuden, onnettomuuden, tavallisen kulumisen tai minkä tahansa muun syyn johdosta, joka ei liity materiaali- tai valmistusvirheisiin (mukaan lukien, mutta rajoittumatta, Thrustmaster-tuotteen yhdistäminen epäsoveliaan osan kanssa, erityisesti virtalähteet, ladattavat akut, laturit tai muut tuotteet, joita Guillemot ei ole toimittanut tälle tuotteelle); (2) mikäli tuotetta on käytetty missä tahansa muussa kuin kotikäytössä, mukaan lukien ammattimaisessa tai kaupallisessa käytössä (esim. pelihuoneet, koulutus ja kilpailut); (3) mikäli vian ilmetessä teknisen tuen ohjeita ei ole noudatettu; (4) ohjelmistojen kohdalla, kyseisellä ohjelmistolla on erillinen takuu; (5) käyttöesineiden kohdalla (tuotteen eliniän aikana vaihdettavat osat: esim. kertakäyttöiset paristot, kuulokkeet tai kuuloketyynyt); (6) lisälaitteiden kohdalla (esim. kaapelit, kotelot, pussit, laukut ja rannekkeet); (7) mikäli tuote myytiin julkisessa huutokaupassa.

Tätä takuuta ei voi siirtää.

Tämä takuu ei vaikuta kuluttajan laillisiin oikeuksiin hänen maassaan, mitä tulee kuluttajatuotteiden myyntiin.

Ylimääräiset takuehdot

Takuuajan aikana Guillemot ei lähtökohtaisesti tarjoa varaosia, sillä tekninen tuki on ainoa osapuoli, joka on valtuutettu avaamaan ja/tai korjaamaan Thrustmaster-tuotteita (pois lukien sellaiset korjaustoimet, joita tekninen tuki saattaa pyytää kuluttajaa tekemään kirjallisten ohjeiden kautta – esimerkiksi korjaustoimen yksinkertaisuuden ja salassapitotarpeiden puuttumisen vuoksi – ja toimittamalla kuluttajalla vaadittavat varaosat, jos ne ovat tarpeellisia).

Innovaatiosykleistä johtuen ja suojellakseen tietotaitoaan sekä liikesalaisuuksiaan Guillemot ei lähtökohtaisesti tarjoa mitään tai varaosia Thrustmaster-tuotteille, joiden takuu aika on umpeutunut.

Yhdysvalloissa ja Kanadassa tämä takuu rajoittuu tuotteen sisäisiin mekanismeihin ja ulkoisiin koteloihin. Guillemotia ja sen osakkuusyhtiöitä ei missään tilanteessa saa pitää vastuuvollisena kolmannelle osapuolelle välillisistä tai satunnaisista vahingoista, jotka ovat johtuneet nimenomaisten tai epäsuorien takuiden rikkomuksesta. Jotkin osavaltiot/provinsit eivät salli rajoituksia epäsuorien takuiden kestoon tai korvausvelvollisuuden rajauksia tai rajoituksia välillisissä tai satunnaisissa vahingoissa, joten yllä olevat rajoitukset ja rajaukset ei välttämättä päde kohdallasi. Tämä takuu antaa sinulle tiettyjä laillisia oikeuksia, ja sinulla saattaa olla muita osavaltiosta (tai maasta tai provinssista) riippuvia oikeuksia.

Vastuuvollisuus

Mikäli asiaankuuluva laki sen sallii, Guillemot Corporation S.A. (tästä eteenpäin "Guillemot") ja sen tytäryhtiöt kiistävät vastuunsa kaikista vahingoista, jotka johtuvat yhdestä tai useammasta seuraavasta: (1) tuotetta on muokattu, avattu tai muunneltu; (2) kokoamisohjeita ei ole noudatettu; (3) epäasiallisen tai huonon käytön, huolimattomuuden tai onnettomuuden (esim. isku) johdosta; (4) tavallisen kulumisen johdosta; (5) tuotetta on käytetty missä tahansa muussa kuin kotikäytössä, mukaan lukien ammatillisessa tai kaupallisessa käytössä (esim. pelihuoneet, koulutus ja kilpailut). Mikäli asiaankuuluva laki sen sallii, Guillemot ja sen tytäryhtiöt kiistävät vastuunsa kaikista vahingoista, jotka eivät liity tuotteen materiaali- tai valmistusvirheisiin (mukaan lukien, mutta rajoittumatta, ohjelmiston suoraan tai epäsuoraan aiheuttamat vahingot, tai yhdistämällä Thrustmaster-tuotteen kanssa epäsoveliaan osan kanssa, mukaan lukien tietyt virtalähteet, ladattavat akut, laturit tai muut osat, joita Guillemot ei ole toimittanut tälle tuotteelle).

THRUSTMASTER®

TEKNINEN TUKI

<https://support.thrustmaster.com>



TEKIJÄNOIKEUS

© 2020 Guillemot Corporation S.A. Kaikki oikeudet pidätetään. Thrustmaster® on Guillemot Corporation S.A.:n rekisteröity tavaramerkki. Windows® on Microsoft Corporationin rekisteröity tavaramerkki Yhdysvalloissa ja/ta muissa maissa.

AIRBUS, sen logo sekä tuote- että palvelumerkit ovat Airbusin rekisteröityjä tavaramerkkejä. Kaikki oikeudet pidätetään.

© Airbus 2020. Kaikki oikeudet pidätetään. Airbusin virallisesti lisensoima.

Kaikki muut tavaramerkit ovat haltijoidensa omaisuutta. Kuvitukset eivät ole sitovia. Sisällöt, mallit ja tavaraselosteet voivat muuttua ilman erillistä ilmoitusta ja vaihdella maasta toiseen. Valmistettu Kiinassa.

Department of the Air Forcen virallisesti lisensoima tuote. Tämä ei tarkoita Yhdysvaltojen ilmapvoimien nimenomaista tai implisiittistä suositusta.

YMPÄRISTÖNSUOJELUSUOSITUS



* Euroopan unionissa: Käyttökänsä päätyttyä tätä tuotetta ei pidä laittaa kodin sekajätteeseen, vaan se tulee viedä sähkö- ja elektroniikkalaiteromun (SER/WEEE) keräyspisteeseen kierrätettäväksi.

Tämä vahvistetaan tuotteesta, käyttöohjeesta sekä pakkauksesta löytyvillä symbolilla.

■ Ominaisuuksistaan riippuen materiaalit voidaan kierrättää. Voit kierrätyksen ja muun sähkö- ja elektroniikkaromun käsittelyn avulla auttaa merkittävästi

ympäristön suojelussa.

Ota yhteyttä paikallisiin viranomaisiin saadaksesi tietoa lähimmästä keräyspisteestä.

Muissa maissa: Noudata paikallisia sähkö- ja elektroniikkaromun kierrätyslakeja.

Pidä nämä tiedot tallessa. Värit ja koristeet voivat vaihdella.

Muoviset kiinnittimet ja tarrat tulee poistaa ennen tuotteen käyttöä.

Tämä tuote vastaa kaikkia standardeja vähintään 14-vuotiaiden lasten käytölle. Tämä tuote ei sovellu alle 14-vuotiaiden lasten käyttöön.

www.thrustmaster.com

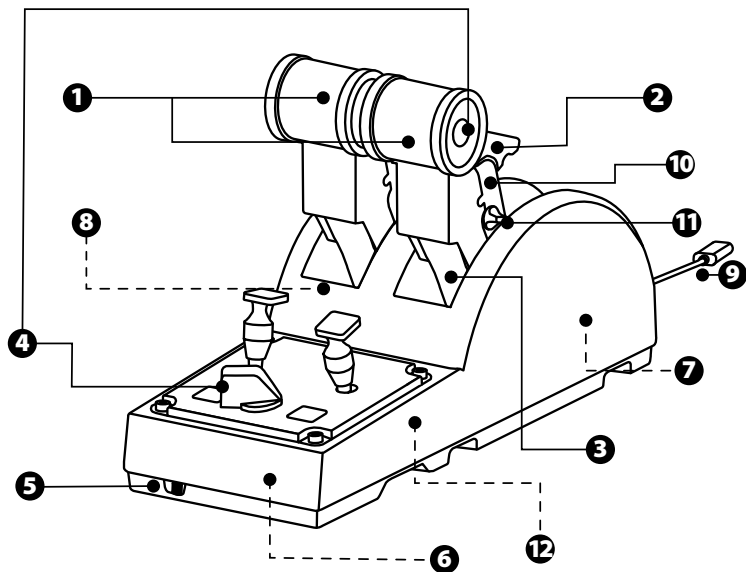
* Voimassa vain EU:ssa ja Turkissa

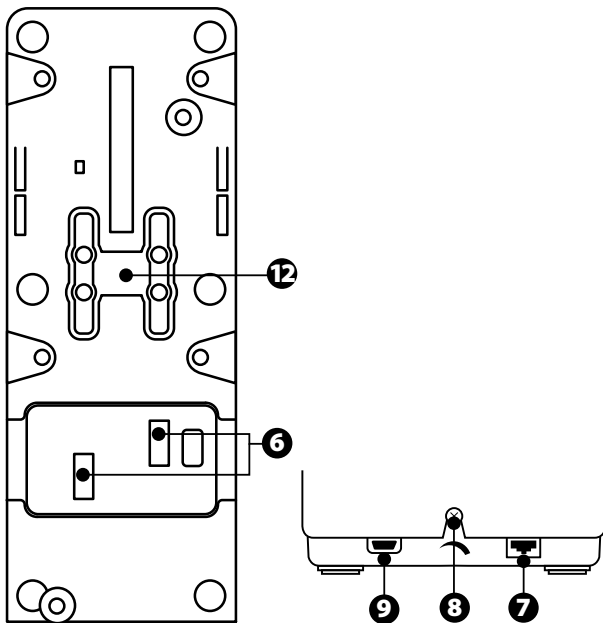


TCA QUADRANT AIRBUS EDITION

Návod na použitie

TECHNICKÉ VLASTNOSTI





- | | |
|---|---|
| <ol style="list-style-type: none"> 1. Osi X a Y pre škrtiacu klapku 2. Mechanizmus spätného ťahu na každej osi 3. 4 zarážky na každej osi — 4 virtuálne tlačidlá na každej osi 4. 8 akčných tlačidiel 5. Výberové tlačidlo pre motory: 1/2 alebo 3/4 6. SATA konektory pre externé moduly TCA Quadrant Add-On Airbus Edition (príslušenstvo predávané samostatne) | <ol style="list-style-type: none"> 7. Konektor pre kormidlový systém TFRP (predávané samostatne) 8. Skrutka na nastavenie odporu 9. Konektor USB (typ B) 10. Umiestnenie prepjovacej tyče 11. Mechanizmus na aktiváciu / deaktiváciu spätného ťahu na každej osi 12. Mechanizmus na aktiváciu / deaktiváciu zarážok na každej osi |
|---|---|

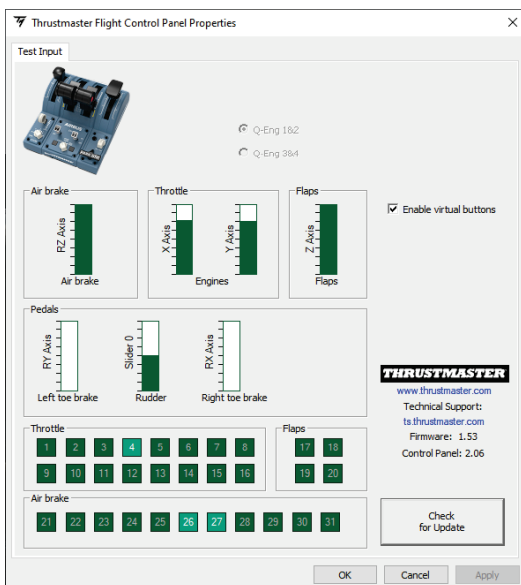
INŠTALÁCIA NA PC

1. Navštívte stránku <https://support.thrustmaster.com/>. Kliknite na **Joysticks / TCA Quadrant Airbus Edition**, a vyberte **Drivers**. Stiahnite si a nainštalujte ovládač pre PC a jeho prispôbené rozhranie pre Ovládací Panel Windows.
2. Po nainštalovaní ovládača pre PC pripojte konektor USB zariadenia k jednému z USB portov na počítači.
3. Pre prístup do Ovládacieho panelu, kliknite **Štart / Aplikácie / Thrustmaster / Ovládací panel** (vo Windows® 10 / 8.1 / 8).

Zobrazí sa dialógové okno **Ovládače hier**.

Príslušenstvo je uvedené na obrazovke s názvom **TCA Q-Eng 1&2** (alebo **TCA Q-Eng 3&4**, v závislosti od polohy prepínača pre motory [5]), spolu so stavom **OK**.

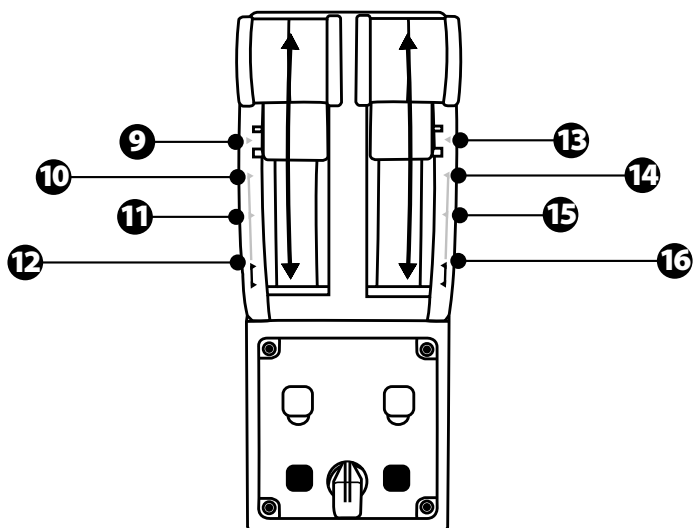
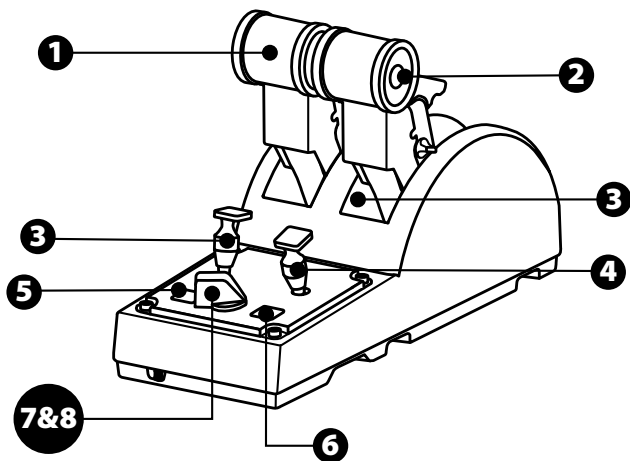
4. V dialógovom okne **Ovládače hier** kliknite na **Vlastnosti**, aby ste otestovali a zobrazili všetky funkcie.

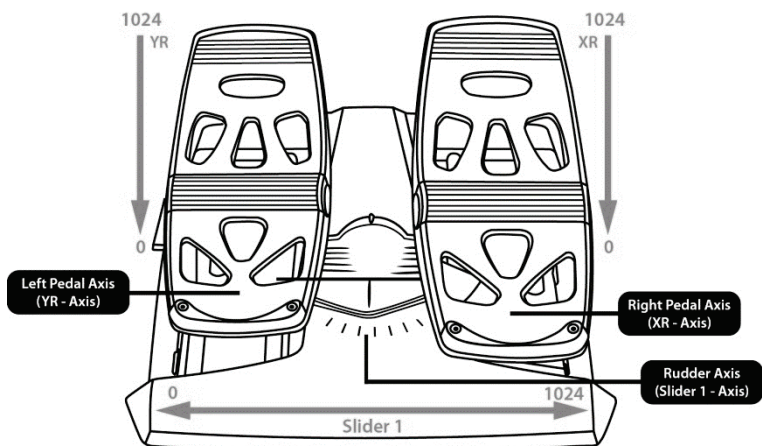
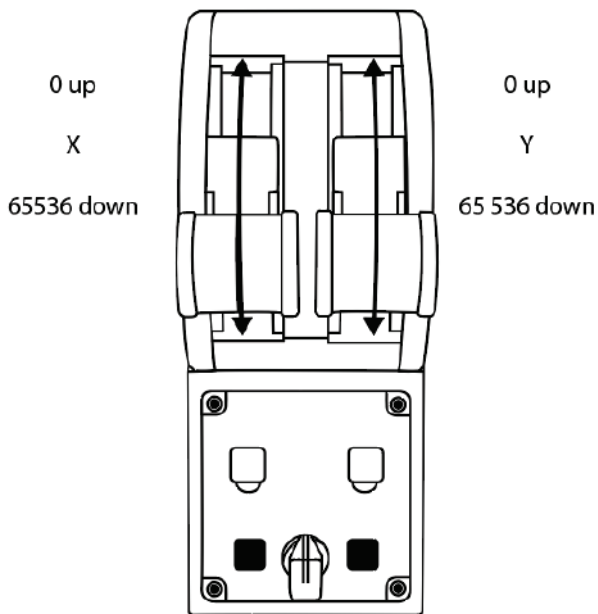


Enable virtual buttons (Povoliť virtuálne tlačidlá): Táto funkcia umožňuje zapnúť alebo vypnúť virtuálne tlačidlá na osiach škrtiacej klapy. Po výbere režimu kliknite na tlačidlo **Apply** (Použiť).

Teraz môžete hrať!

MAPOVANIE PRE 16 TLAČIDIEL A 2 OSI



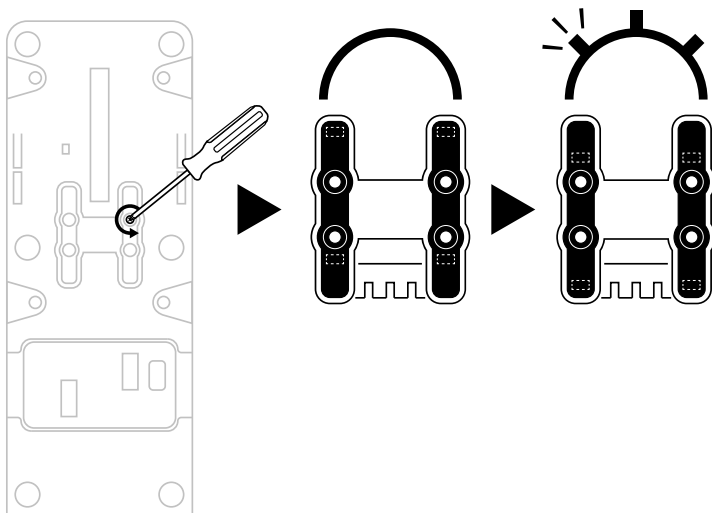


VYKONANIE ZMIEN NA OSIACH PANELU OVLÁDANIA ŤAHU MOTOROV TCA QUADRANT AIRBUS EDITION

Panel ovládania ťahu motorov TCA Quadrant Airbus Edition obsahuje mechanické spínače, ktoré Vám umožňujú deaktivovať zarážky/zárezy na každej osi. Ak tak urobíte, budete mať plynulú osi pri súčasnom zachovaní virtuálnych tlačidiel 9 až 16.

Táto voľba Vám umožňuje zmeniť zážitky z pilotovania podľa typu lietadla použitého v simulácii (komerčné lietadlo alebo civilné lietadlo).

1. Otočte TCA Quadrant Airbus Edition hore nohami a odskrutkujte dve skrutky pre každú zo spínačov pomocou skrutkovača s odpovedajúcim tvarom hlavy.
2. Zmeňte polohu spínačov pomocou sprievodných indikátorov: umožní Vám to zvoliť buď plynulú os, alebo os so zarážkami/zárezy, pre každú os na paneli ovládania ťahu motorov TCA Quadrant Airbus Edition.

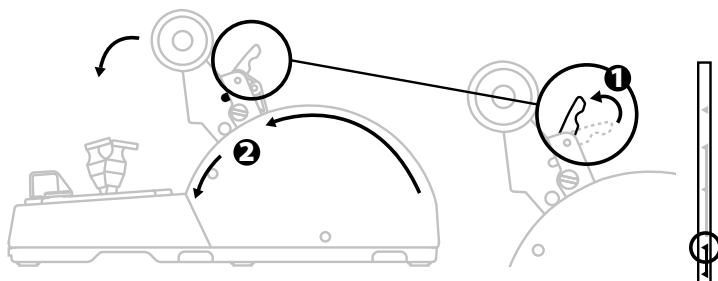


DEAKTIVÁCIA SPÄTNÉHO ŤAHU NA PANELI OVLÁDANIA ŤAHU MOTOROV TCA QUADRANT AIRBUS EDITION

Panel ovládania ťahu motorov TCA Quadrant Airbus Edition obsahuje funkciu spätného ťahu, ktorá replikuje tú, ktorá sa nachádza na škrtiacich klapkách komerčných lietadiel Airbus. Mechanizmus spätného ťahu môžete deaktivovať pre lepšie pilotovanie civilných letov.

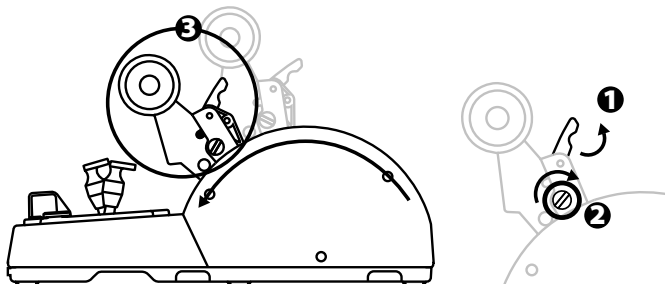
Režim komerčného lietadla:

1. Na doraze páky, zdvihnite mechanizmus spätného ťahu.
2. Posunutie za doraz páky umožňuje použitie spätného ťahu.

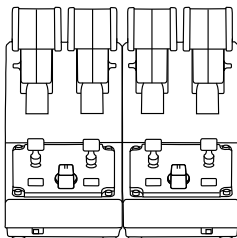


Všeobecný režim a režim civilného letectva:

1. Zdvihnite mechanizmus spätného ťahu.
2. Otočením prepínača do polohy 0 deaktivujete mechanizmus spätného ťahu.
3. Páka škrtiacej klapky sa teraz môže pohybovať cez celú os.

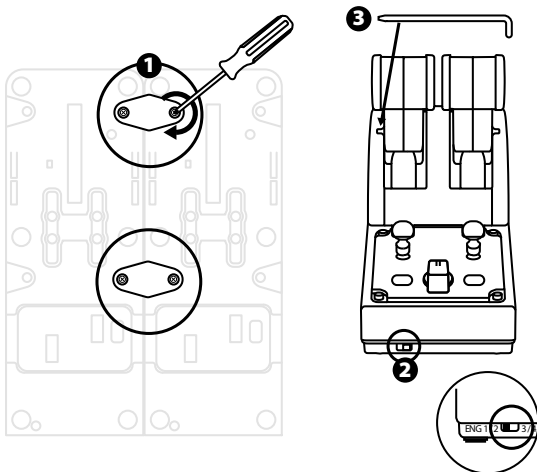


PRIPOJENIE DVOCH PANELOV OVLÁDANIA ŤAHU MOTOROV TCA QUADRANT AIRBUS EDITION

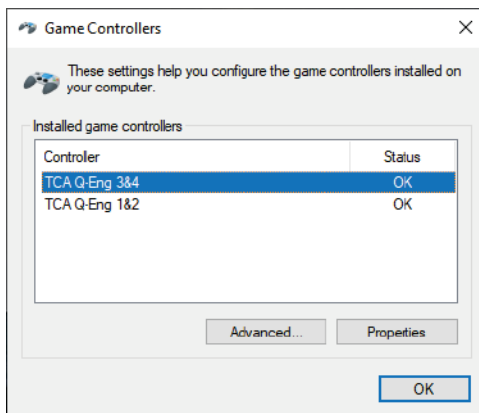


Môžete pripojiť druhý panel ovládania ťahu motorov TCA Quadrant Airbus Edition (predáva sa samostatne): umožní Vám to využívať až 4 osi celkom a simuluje napríklad komerčné štvormotorové komerčné lietadlo.

1. Otočte oba panely ovládania ťahu motorov TCA Quadrant Airbus Edition hore nohami a priskrutkujte dva upevňovacie prvky, ktoré sú súčasťou TCA Quadrant Airbus Edition, aby ste obidve zariadenia spojili.
2. Na druhom paneli ovládania ťahu motorov fyzicky prepnete prepínač do polohy 3/4, aby ste priradili motory 3 a 4 k druhému panelu ovládania ťahu motorov (v Ovládacom paneli na PC).
3. Osi spojte do párov (1/2 a 3/4), aby ste ich ľahšie spoločne ovládali, a to pomocou prepojovacej tyče, ktorá je súčasťou každého TCA Quadrant Airbus Edition.

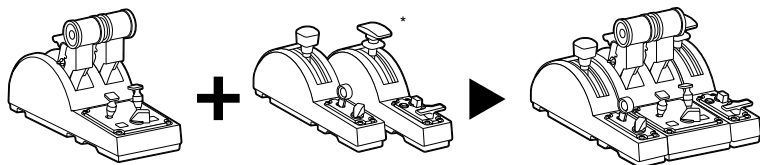


4. Ak sú obe zariadenia pripojené k PC prostredníctvom USB, zobrazia sa nezávisle v dialógovom okne **Ovládače hier**:



PRIPOJENIE PANELU OVLÁDANIA ŤAHU MOTOROV TCA QUADRANT AIRBUS EDITION K TCA QUADRANT ADD-ON AIRBUS EDITION*

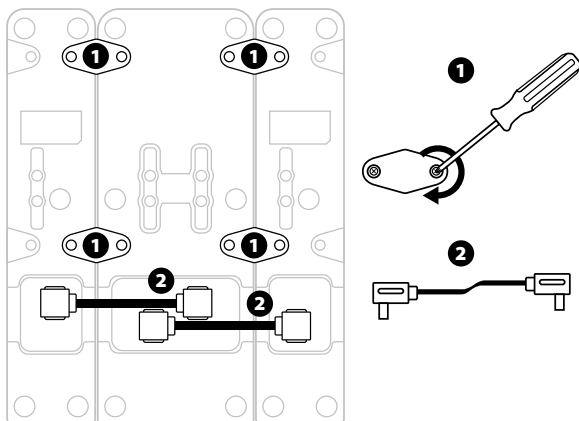
* Predávané samostatne



Panel ovládania ťahu motorov TCA Quadrant Airbus Edition Vám umožňuje pripojiť ďalšie moduly TCA Quadrant Add-On Airbus Edition (predávané samostatne) po oboch stranách TCA Quadrant Airbus Edition.

Táto modularita pridáva nové osi a akčné tlačidlá, a umožňuje Vám rozšíriť kinematiku vzletu, letu a pristátia pre panel ovládania ťahu motorov TCA Quadrant Airbus Edition.

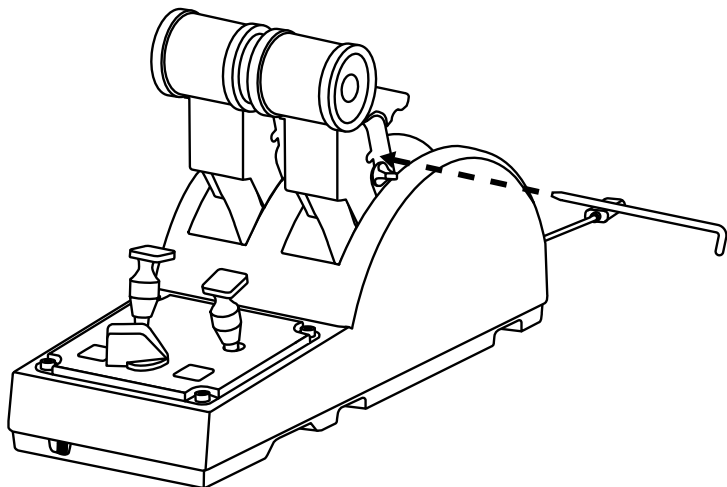
1. Otočte panel ovládania ťahu motorov TCA Quadrant Airbus Edition a dva prídavné moduly TCA Quadrant Add-On Airbus Edition hore nohami a (pomocou skrutkovača so zodpovedajúcim tvarom hlavy) zaskrutkujte štyri upevňovacie prvky, ktoré sú súčasťou panelu ovládania ťahu motorov TCA Quadrant Airbus Edition a TCA Quadrant Add-On Airbus Edition, ktoré spájajú všetky trizariadenia spolu: modul Aerodynamickéj brzdy naľavo od TCA Quadrant Airbus Edition a modul Vztlakových klapiek napravo.
2. Pripojte káble SATA dodávané s TCA Quadrant Add-On Airbus Edition ku konektoram SATA v TCA Quadrant Airbus Edition.



- Na utiahnutie/odtiahnutie skrutiek použite skrutkovač so zodpovedajúcim tvarom hlavy, aby ste zabránili poškodeniu výrobkov.
- Používajte iba oficiálne káble poskytnuté spoločnosťou Thrustmaster.

PRIPOJENIE/ODDELENIE DVOCH ŤAHOVÝCH PÁK

Na spojenie oboch ťahových pák použite prepájovacia tyč, ktorá je súčasťou panelu ovládania ťahu motorov TCA Quadrant Airbus Edition.

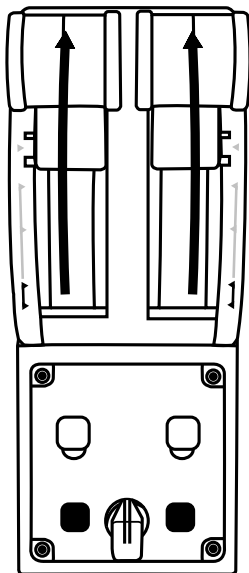


NASTAVENIE ODPORU

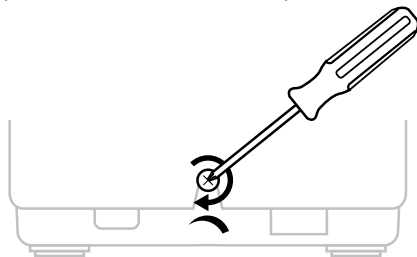
DÔLEŽITÉ POZNÁMKY:

- Trenie pre obidve ťahové páky je predvolene nastavené na 50%.
- Aby ste vykonali presné nastavenie podľa Vašich preferencií, môžete s použitím skrutkovača so zodpovedajúcim tvarom hlavy - točiť skrutky na nastavenie odporu - alebo priloženú prepojovaciu tyč.

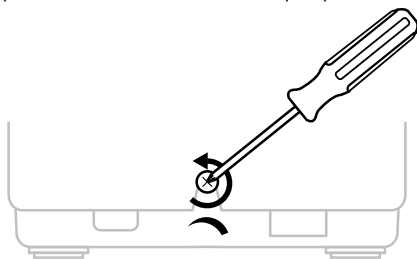
1. Zatlačte obidve ťahové páky dopredu na ich maximálne hodnoty, čím sa dostanete ku skrutke na nastavenie odporu na zadnej strane TCA Quadrant Airbus Edition.



2. Na zvýšenie odporu otočte nastavovaciu skrutku odporu v smere hodinových ručičiek.



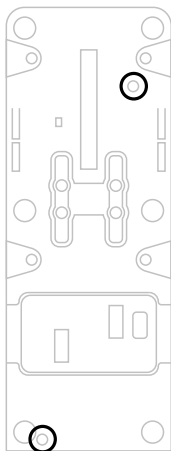
3. Pre zníženie odporu otočte nastavovaciu skrutku odporu proti smeru hodinových ručičiek.



- Aby ste predišli poškodeniu odporového systému, dávajte pozor, aby ste príliš neuti a hli nastavovaciu skrutku: keď zacítite odpor, prestaňte otáčať skrutkou.
- Nikdy úplne neodskrutkujte nastavovaciu skrutku, aby ste predišli pádu skrutky do tela TCA Quadrant Airbus Edition.

PRIPOJENIE PANELU OVLÁDANIA ŤAHU MOTOROV TCA QUADRANT AIRBUS EDITION DO KOKPITU ALEBO NA INÝ PEVNÝ POVRCH.

Pomocou dvoch skrutiek M6 (nie sú súčasťou balenia) a použitím dvoch dier umiestnených h na spodnej strane TCA Quadrant Airbus Edition ho môžete pripnúť do kokpitu alebo na iný pevný povrch.



PRIPOJENIE KORMIDLOVÉHO SYSTÉMU TFRP* K PANELU OVLÁDANIA ŤAHU MOTOROV TCA QUADRANT AIRBUS EDITION

* Predávané samostatne

Panel ovládania ťahu motorov TCA Quadrant Airbus Edition má 7 osí, pričom 3 z týchto osí sú vyhradené pre systém kormidla TFRP.

Systém kormidla TFRP sa pripája priamo k panelu ovládania ťahu motorov TCA Quadrant Airbus Edition.

1. Pripojte zástrčkový konektor RJ12 pre systém kormidla TFRP k zásuvke RJ12 umiestnenej na zadnej strane panelu ovládania ťahu motorov TCA Quadrant Airbus Edition.
2. Pripojte konektor USB panelu ovládania ťahu motorov TCA Quadrant Airbus Edition k jednému z USB portov na počítači.

Dôležité poznámky týkajúce sa automatickej kalibrácie osí:

- Pri pripájaní systému kormidla TFRP k panelu ovládania ťahu motorov TCA Quadrant Airbus Edition majte os kormidla vždy centrovajú: nikdy nedávajte nohu na pedále systému kormidla TFRP.
- 3 osí pedálov sa automaticky kalibrujú po niekoľkých pohyboch a po dosiahnutí fyzických koncov na osiach kormidla a 2 rozdielnych brzdových osiach.

POKROČILÝ PROGRAMOVACÍ SOFTVÉR T.A.R.G.E.T (Thrustmaster Advanced pRogramming Graphical EdiT or)

Navštívte stránku <https://support.thrustmaster.com>. Kliknite na **Joysticks / TCA Quadrant Airbus Edition**, potom vyberte **Software**. Stiahnite a nainštalujte pokročilý programovací softvér T.A.R.G.E.T.

Hlavné funkcie T.A.R.G.E.T:

- Rôzne možné konfigurácie pre osi.
- Rôzne možné úrovne programovania: Basic, Advanced a Script.
- Použitie princípu Drag and Drop.
- Schopnosť kombinovať panel ovládania ťahu motorov TCA Quadrant Airbus Edition s rôznymi joystickmi Thrustmaster (HOTAS Cougar, HOTAS Warthog, T.16000M, MFD Cougar Pack, z ktorých všetky sú kompatibilné aj s TARGET), čo umožňuje ich rozpoznanie ako jedného USB zariadenia.
- Prístup k pokročilým profilom vytvoreným komunitou Thrustmaster.



ODSTRAŇOVANIE ZÁVAD A VAROVANIE

- **Môj panel ovládania ťahu motorov TCA Quadrant Airbus Edition nefunguje správne alebo sa zdá byť nesprávne kalibrovaný.**
 - Vypnite počítač a odpojte USB konektor pre panel ovládania ťahu motorov TCA Quadrant Airbus Edition. Potom znova pripojte konektor USB, znova zapnite počítač a reštartujte hru.
 - Pri pripájaní USB konektora pre panel ovládania ťahu motorov TCA Quadrant Airbus Edition nechajte os kormidla vždy vycentrovanú, ak používate systém kormidla TFRP (predávané samostatne): nikdy nedávajte nohu na pedále systému kormidla TFRP počas pripájania.
- **Nemôžem nakonfigurovať svoj panel ovládania ťahu motorov TCA Quadrant Airbus Edition.**
 - V ponuke hry choďte do Možnosti / Ovládač / Gamepad alebo Joystick a vyberte príslušnú konfiguráciu alebo úplne prekonfigurujte možnosti ovládača.
 - Ďalšie informácie nájdete v návode na použitie k Vašej hre alebo v online pomoci.
 - Použite pokročilý programovací softvér T.A.R.G.E.T (Thrustmaster Advanced Programming Graphical) (Thrustmaster Advanced Programming Graphical)
- **Môj panel ovládania ťahu motorov TCA Quadrant Airbus Edition je príliš citlivý alebo nedostatočne citlivý.**
 - Osi panelu ovládania ťahu motorov TCA Quadrant Airbus Edition sa automaticky kalibrujú po niekoľkých pohyboch a po dosiahnutí fyzického konca pre osi.
 - V ponuke hry choďte do Možnosti / Ovládač / Gamepad alebo Joystick a upravte citlivosť a mŕtve zóny svojho ovládača (ak sú tieto možnosti k dispozícii).
 - Použite pokročilý programovací softvér T.A.R.G.E.T (Thrustmaster Advanced Programming Graphical Editor).



Toto zariadenie je určené na použitie iba pre účely hernej zábavy. Je prísne zakázané používať toto zariadenie na profesionálne tréningové aktivity.

INFORMÁCIE O ZÁRUKU

Celosvetovo, spoločnosť Guillemot Corporation S.A., ktorej sídlo sa nachádza na adrese Place du Granier, B.P. 97143, 35571 Chantepie, Francúzsko (ďalej len "Guillemot") zaručuje spotrebiteľovi, že počas záručnej doby, ktorá je zhodná s časovým limitom na podanie reklamácie na tento produkt, tento Thrustmaster produkt nemá materiálne chyby ani výrobné chyby.

V krajinách Európskej únie záručná doba zodpovedá obdobiu dvoch (2) rokov od dodania produktu Thrustmaster. V iných krajinách zodpovedá záručná doba lehote pre podanie reklamácie na produkt Thrustmaster podľa platných zákonov krajiny, v ktorej mal spotrebiteľ bydlisko k dátumu kúpy produktu Thrustmaster (ak takýto zákon v príslušnej krajine neexistuje, potom je záručná doba jeden (1) rok od pôvodného dátumu zakúpenia produktu Thrustmaster). Bez ohľadu na vyššie uvedené, sa na nabíjateľné batérie vzťahuje záručná doba šiestich (6) mesiacov od dátumu nákupu.

Ak počas záručnej doby dôjde na produkte ku chybe, okamžite kontaktujte Technickú podporu, ktorá Vám oznámi ďalší postup. Ak je chyba potvrdená, produkt musí byť vrátený v mieste jeho nákupu (alebo na inom mieste uvedenom Technickou podporou).

V kontexte tejto záruky má Technická podpora možnosť rozhodnúť, či bude chybný produkt spotrebiteľa buď vymenený alebo opravený do funkčného stavu. Ak v priebehu záručnej doby podlieha produkt Thrustmaster takejto oprave, každá doba najmenej siedmych (7) dní, počas ktorých je výrobok nepoužiteľný, bude doplnená do zostávajúcej záručnej doby (toto obdobie začína plynúť od dátumu žiadosti spotrebiteľa alebo dátumom, kedy je daný výrobok dodaný na opravu, ak je dátum, kedy je výrobok dodaný na opravu po dátume podania žiadosti). Ak to umožňujú platné právne predpisy, plná zodpovednosť spoločnosti Guillemot a jej dcérskych spoločností (vrátane následných škôd) je obmedzená na návrat produktu do funkčného stavu alebo na výmenu produktu Thrustmaster. Ak to dovoľuje platné právo, spoločnosť Guillemot neposkytuje záruku obchodovateľnosti a spôsobilosti pre určité použitie.

Táto záruka sa nevzťahuje na: 1. ak bol výrobok upravený, otvorený, pozmenený alebo poškodený v dôsledku nevhodného alebo hrubého používania, nedbanlivosti, nehody, bežného opotrebenia, alebo akejkoľvek inej príčiny nesúvisiacej s materiálnoú alebo výrobnou chybou (vrátane, nie však výlučne, kombinácie výrobku Thrustmaster s akýmkoľvek nevhodným prvkom, vrátane napájacích zdrojov, nabíjateľných batérií, nabíjačiek, alebo iných prvkov, ktoré Guillemot nedodáva pre tento výrobok); 2) ak bol výrobok použitý na akékoľvek iné použitie ako na domáce použitie, a to aj na profesionálne, alebo komerčné účely (napríklad herne, školenia, súťaže); 3) v prípade nedodržania pokynov poskytnutých Technickou podporou; 4) softvér, pričom uvedený softvér podlieha osobitnej záruke; 5) spotrebné materiály (prvky, ktoré sa majú vymeniť počas životnosti výrobku: napríklad jednorazové batérie, zvukové súpravy alebo slúchadlá); 6) na príslušenstvo (napríklad káble, puzdrá, vrecká, tašky, popruhy na zápästie); 7) ak bol výrobok predaný vo verejnej dražbe.

Táto záruka nie je prenosná.

Zákonné práva spotrebiteľa, pokiaľ ide o zákony platné pre predaj spotrebného tovaru v jeho alebo jej krajine, nie sú touto zárukou ovplyvnené.

Ďalšie záručné ustanovenia

Počas záručnej lehoty, Guillemot neposkytuje žiadne náhradné diely, vzhľadom na skutočnosť, že Technická podpora je jediná strana oprávnená otvoriť a/alebo opraviť akýkoľvek Thrustmaster produkt (Výnimkou je prípadné požiadanie Technickej podpory o nasledovanie písomných pokynov na opravy, ktoré má vykonať užívateľ - napríklad pre ich jednoduchosť a dostupné opravné postupy – a v prípade potreby dodanie náhradných dielov užívateľovi).

Kvôli inovačným cyklom a vzhľadom na ochranu know-how a obchodného tajomstva spoločnosti, Guillemot neposkytuje opravné postupy alebo náhradné diely na Thrustmaster produkty po uplynutí ich záručnej lehoty.

V Spojených štátoch amerických a v Kanade je táto záruka obmedzená na vnútorný mechanizmus výrobku a vonkajší kryt produktu. Guillemot ari jeho pridružené spoločnosti v žiadnom prípade nenesú zodpovednosť voči akékoľvek tretej strane za priame či nepriame vady plynúce z porušenia podmienok záruky. V niektorých krajinách, kde nie je prípustné obmedzenie alebo vylúčenie nepriamych škôd, či obmedzenie trvania záruk a podmienok, vyššie uvedené vylúčenie neplatí. Touto zárukou sú užívateľovi poskytnuté špecifické práva spolu s právami plynúcimi z právnej úpravy jednotlivých krajín.

Zodpovednosť

Ak to dovoľujú platné zákony, spoločnosť Guillemot Corporation S.A. (ďalej len "Guillemot") a jej dcérske spoločnosti nenesú žiadnu zodpovednosť za akékoľvek škody spôsobené jedným alebo viacerými z nasledujúcich prípadov: (1) výrobok bol upravený, otvorený alebo pozmenený; (2) nedodržali sa montážne inštrukcie; (3) nevhodné alebo hrubé používanie, nedbalosť, nehoda (napríklad náraz); (4) bežné opotrebenie; (5) používanie výrobku na akékoľvek iné použitie ako na domáce použitie, a to aj na profesionálne, alebo komerčné účely (napríklad herne, školenia, súťaže). Ak to dovoľujú platné zákony, spoločnosť Guillemot a jej dcérske spoločnosti nenesú žiadnu zodpovednosť za akékoľvek škody, ktoré nesúvisia s materiálnoú alebo výrobnou vadou vo vzťahu k výrobku (vrátane, nie však výlučne, za akékoľvek škody spôsobené priamo alebo nepriamo akýmkoľvek softvérom, alebo kombinácie výrobku Thrustmaster s akýmkoľvek nevhodným prvkom, vrátane napájacích zdrojov, nabíjateľných batérií, nabíjačiek alebo iných prvkov, ktoré Guillemot nedodáva pre tento výrobok).

THRUSTMASTER®

TECHNICKÁ PODPORA

<https://support.thrustmaster.com>



COPYRIGHT

© 2020 Guillemot Corporation S.A. Všetky práva vyhradené. Thrustmaster® je registrovanou ochrannou známkou spoločnosti Guillemot Corporation S.A. Windows® je registrovaná ochranná známka spoločnosti Microsoft Corporation v USA a/alebo v iných krajinách.

AIRBUS, jeho logo, produktové a servisné značky sú registrované ochranné známky spoločnosti Airbus. Všetky práva vyhradené.

© Airbus 2020. Všetky práva vyhradené. Oficiálne licencované spoločnosťou Airbus.

Každé ďalšie ochranné známky sú majetkom ich príslušných vlastníkov. Ilustrácie nie sú záväzné. Obsah, dizajn a špecifikácie sa môžu zmeniť bez predchádzajúceho upozornenia a môžu sa v jednotlivých krajinách líšiť. Vyrobené v Číne.

Oficiálne licencovaný produkt Úradom vojenského letectva. Schválenie Vzdušnými silami Spojených štátov nie je ani zamýšľané, ani naznačené.

ODPORÚČANIE PRE OCHRANU ŽIVOTNÉHO PROSTREDIA



* V Európskej únii: Na konci svojej životnosti by sa nemal tento produkt vyhodiť s bežným domovým odpadom, ale mal by byť odovzdaný na recykláciu v zbernom mieste na likvidáciu odpadu z elektrických a elektronických zariadení. Potvrdzujúci symbol o recyklácii nájdete na produkte, na návode na použitie alebo na obale. V závislosti od ich vlastností, môžu byť materiály recyklované. Prostredníctvom recyklácie a iných foriem spracovania odpadu z elektrických a elektronických zariadení môžete významne prispieť k ochrane životného prostredia. Pre získanie informácie o pre vás najbližšom možnom mieste odovzdania, kontaktujte miestne orgány.

Pre všetky ostatné krajiny: Dodržujte miestne zákony o recyklácii elektrických a elektronických zariadení.

Ponechajte si tieto informácie. Farby a ozdoba sa môžu líšiť.

Plastové spony a lepiace pásky by sa mali z výrobku pred jeho použitím odstrániť.

Tento produkt vyhovuje všetkým normám týkajúcich sa detí vo veku 14 rokov a starších. Tento výrobok nie je vhodný pre deti mladšie ako 14 rokov.

www.thrustmaster.com

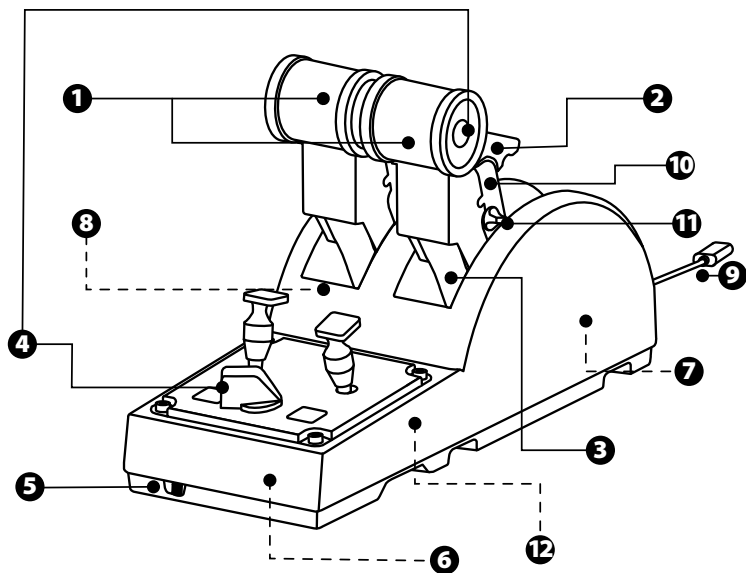
** Použiteľné len pre EÚ a Turecko*

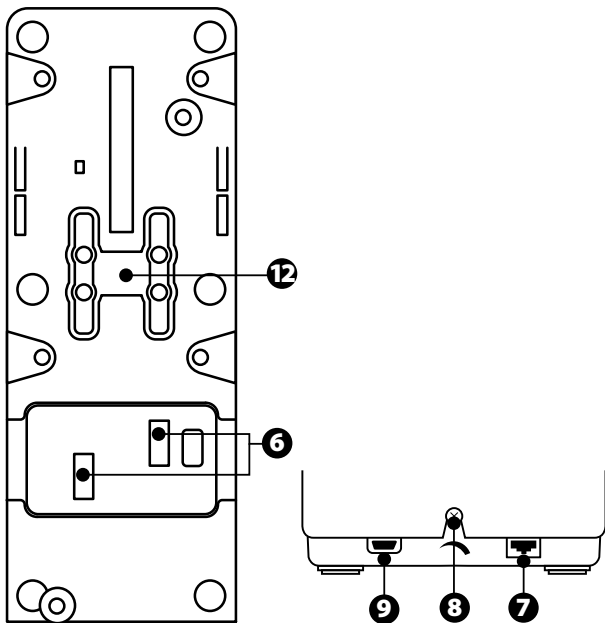


TCA QUADRANT AIRBUS EDITION

Használati útmutató

MŰSZAKILEÍRÁS





- | | |
|--|--|
| <ol style="list-style-type: none"> 1. X és Y tengely a gázkarhoz 2. Tolóerő-visszafordító szerkezet tengelyenként 3. 4 detent (módváltó) tengelyenként — 4 virtuális gomb tengelyenként 4. 8 akciógomb 5. Motor kiválasztó kapcsdó: 1/2 vagy 3/4 6. SATA csatlakozó külső TCA Quadrant Add-On Airbus Edition modulokhoz (a kiegészítő külön kapható) | <ol style="list-style-type: none"> 7. Csatlakozó a TFRP oldalkormány rendszerhez (külön kapható) 8. Sűrűdást állító csavar 9. USB csatlakozó (B típusú) 10. A rögzítő kulcs helye 11. A tolóerő-visszafordító ki/bekapcsolása tengelyenként 12. A módváltó ki/bekapcsolása tengelyenként |
|--|--|

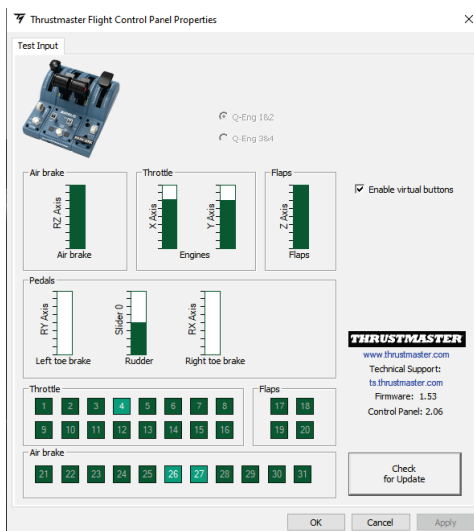
TELEPÍTÉS PC-RE

1. Látogasson el a <https://support.thrustmaster.com/> weboldalra. Kattintson a **Joysticks / TCA Quadrant Airbus Edition**-re majd válassza ki a **Drivers-t** Töltse le és telepítse a PC illesztőprogramot és az egyedi felhasználói felületet a Windows Vezérlőpultra.
2. Miután a PC illesztőprogram telepítése megtörtént, csatlakoztassa az eszköz USB csatlakozóját a PC egyik USB portjába.
3. A Vezérlőpult eléréséhez kattintson a **Start / Alkalmazások / Thrustmaster / Vezérlőpult**(Windows® 10 / 8.1 / 8-ban).

Megjelenik a **Játékvezérlő** párbeszédpanel.

A kiegészítő megjelenik a képernyőn **TCA Q-Eng 1&2** névvel (vagy **TCA Q-Eng 3&4** névvel, a motor kiválasztó kapcsoló állásának függvényében [5]), **OK** státusszal.

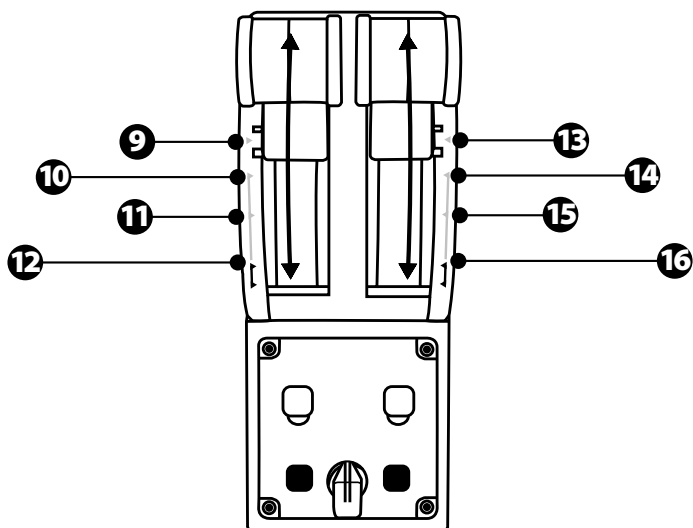
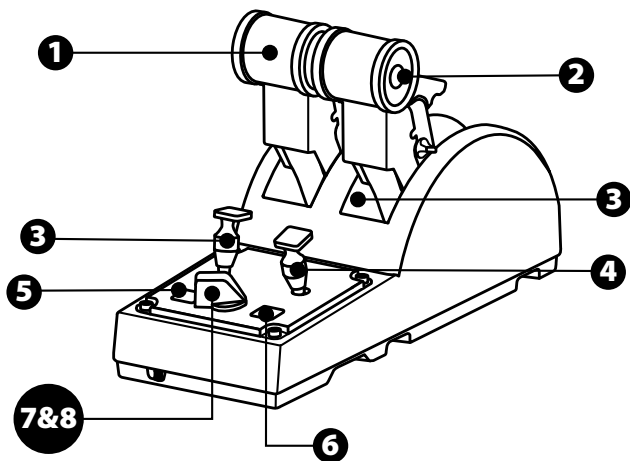
4. A **Játékvezérlő** párbeszédpanelben kattintson a **Tulajdonságokra**, hogy megnézhesse és tesztelhesse az összes funkciót.

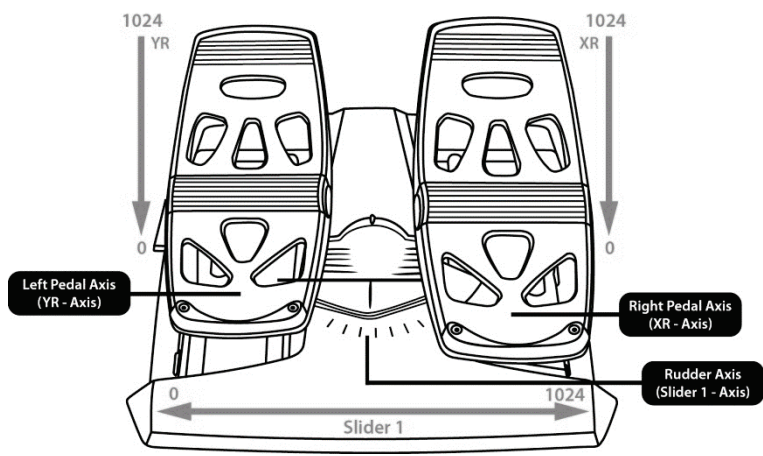
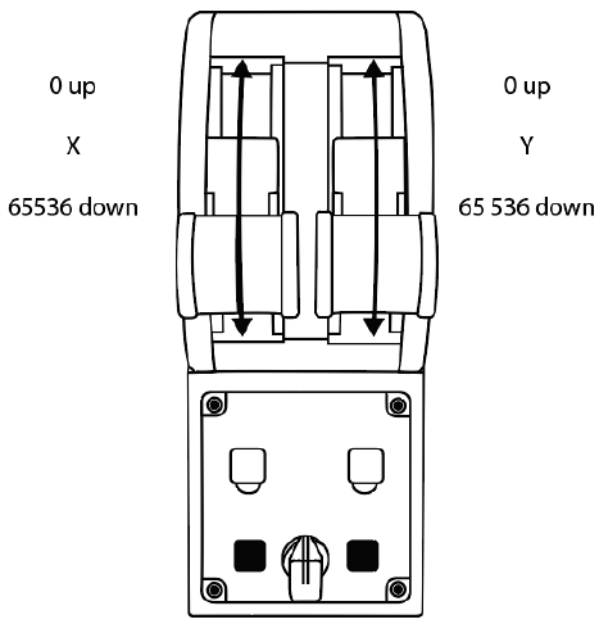


Enable virtual buttons (Virtuális gombok engedélyezése) : Ez a funkció lehetővé teszi a gázkar tengelyén a virtuális gombok engedélyezését és tiltását. Kattintson az **Apply-ra** (Alkalmaz-ra) miután kiválasztotta a kívánt módot.

Most már nincs más dolga, mint játszani!

A 16 GOMB ÉS 2 TENGELY FUNKCIÓINAK KIOSZTÁSA



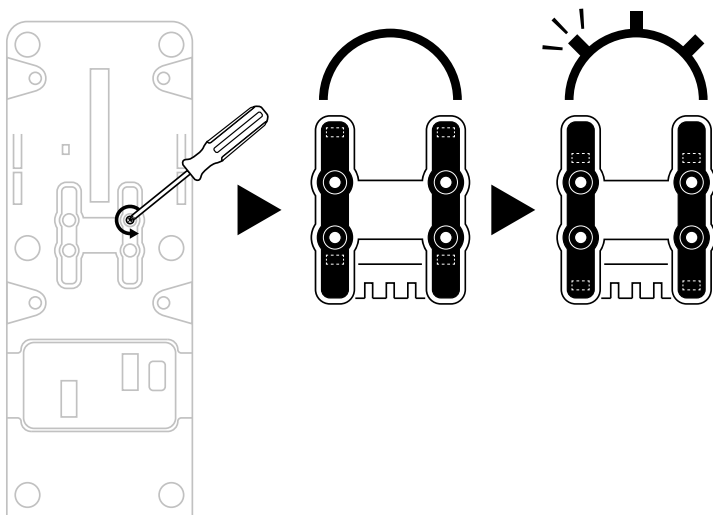


VÁLTOZTATÁSOK A TCA QUADRANT AIRBUS EDITION QUADRANT GÁZKAR TENGELYÉN

A TCA Quadrant Airbus Edition quadrantgázkar mechanikus kiválasztója lehetővé teszi a módváltó/fogazat kikapcsolását tengelyenként. Ennek köszönhetően a tengelyek simák lesznek, miközben a 9-es virtuális gomb működik a 16-oson keresztül.

Ez az opció lehetővé teszi, hogy megváltoztassa a vezetés élményét attól függően, hogy milyen típusú repülőgéppel repül a szimulációban (kereskedelmi vagy polgári repülőgép).

1. Fordítsa a TCA Quadrant Airbus Edition-t fejjel lefelé és egy megegyező fejű csavarhúzó használva csavarjaki a kiválasztókhoz tartozó csavart.
2. Cserélje meg a kiválasztók helyzetét az irányjelző alapján: ez lehetővé teszi a sima tengely vagy a módváltókkal/fogazattal ellátott tengely kiválasztását a TCA Quadrant Airbus Edition quadrant gázkar tengelyein.

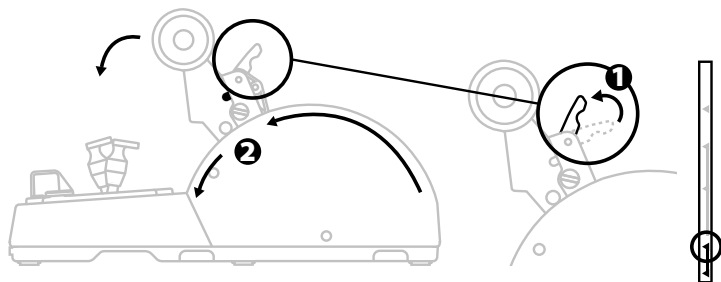


A TCA QUADRANT AIRBUS EDITION QUADRANT GÁZKAR TOLÓERŐ-VISSZAFORDÍTÓJÁNAK KIKAPCSOLÁSA

A TCA Quadrant Airbus Edition quadrant gázkar rendelkezik funkcionális tolóerő-visszafordítókkal, pontosan olyanokkal, mint amik az Airbus kereskedelmi repülőinek gázkarján is megtalálhatók. A tolóerő-visszafordító kikapcsolható, hogy a vezet és jobban alkalmazkodjon a polgári repüléshez.

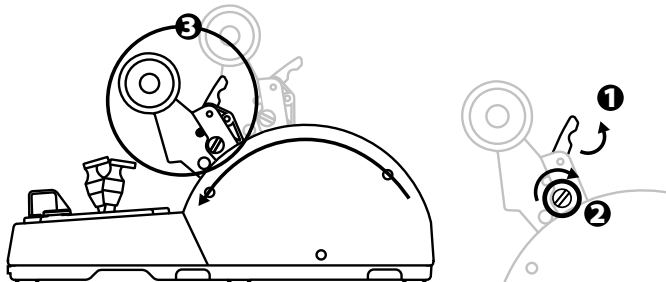
Kereskedelmi repülőgépmód:

1. A stopnál, emelje fel a tolóerő-visszafordító szerkezetet.
2. A stopon túlhaladva, a tolóerő-visszafordító használható.

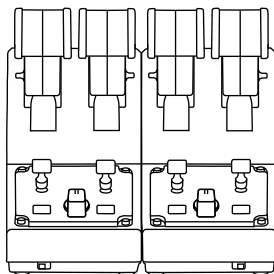


Általános és polgári repülés mód:

1. Emelje fel a tolóerő-visszafordító szerkezetet.
2. Fordítsa a kiválasztót 0 pozícióba a tolóerő-visszafordító kikapcsolásához.
3. A tolóerő szabályzó most már az egész tengelyen keresztül használható.

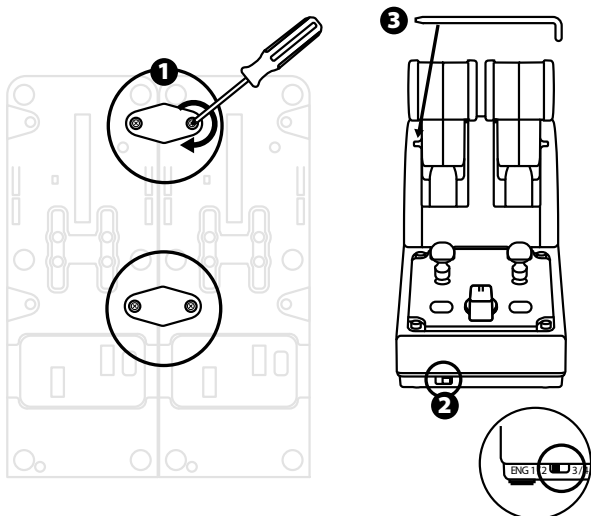


KÉT TCA QUADRANT AIRBUS EDITION QUADRANT GÁZKAR ÖSSZEKAPCSOLÁSA

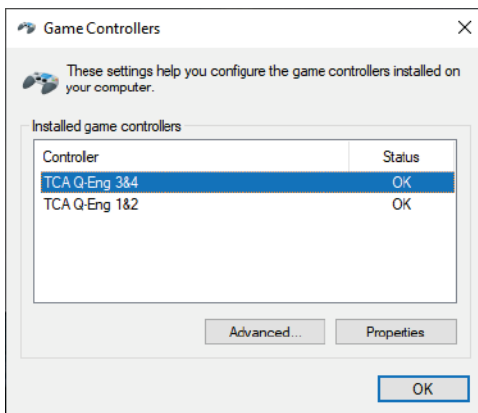


Lehetőség van egy második TCA Quadrant Airbus Edition quadrant gázkar hozzáadására is (külön kapható): ez lehetővé teszi összesen 4 tengely használatát, amely például egy négy motoros kereskedelmi repülőgép mozgását szimulálja.

1. Fordítsa mindkét TCA Quadrant Airbus Edition quadrant gázkart fejjel lefelés csavarja rájuk a két rögzítő elemet (TCA Quadrant Airbus Edition tartalmazza), ami összekapcsolja a két eszközt.
2. A második quadrant gázkaron állítsa a kiválasztó kapcsolót 3/4-re, annak érdekében, hogy társítsa a 3-as és 4-es motort a második quadrant gázkarral (Vezérlőpultban PC-n).
3. Csatlakoztassa a tengelyeket páronként (1/2 és 3/4), hogy egyszerűbben menjen az együttes mozgatásuk, a TCA Quadrant Airbus Edition-höz tartozó rögzítő kulccsal.

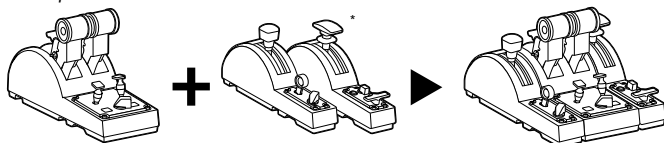


4. Amikor mindkét eszköz PC-hez van csatlakoztatva USB-n keresztül, külön-külön megjelennek a Játékvezérlőpárbeszédpanelben:



A TCA QUADRANT AIRBUS EDITION QUADRANT GÁZKAR CSATLAKOZTATÁSA A TCA QUADRANT ADD-ON AIRBUS EDITION*-HÖZ

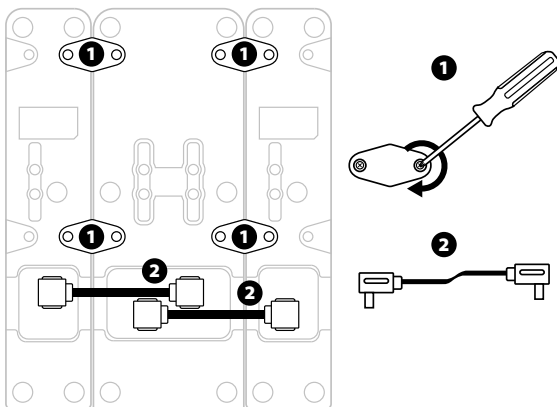
* Külön kapható



A TCA Quadrant Airbus Edition quadrant gázkar lehetővé teszi plusz TCA Quadrant Add-On Airbus Edition modulok összekapcsolását (külön kapható) a TCA Quadrant Airbus Edition mindkét oldalához.

A plusz modulokkal új tengelyek és akciógombok válnak elérhetővé. A felszállás, repülés és leszállás mozgása még pontosabb lesz a TCA Quadrant Airbus Edition quadrant gázkarral.

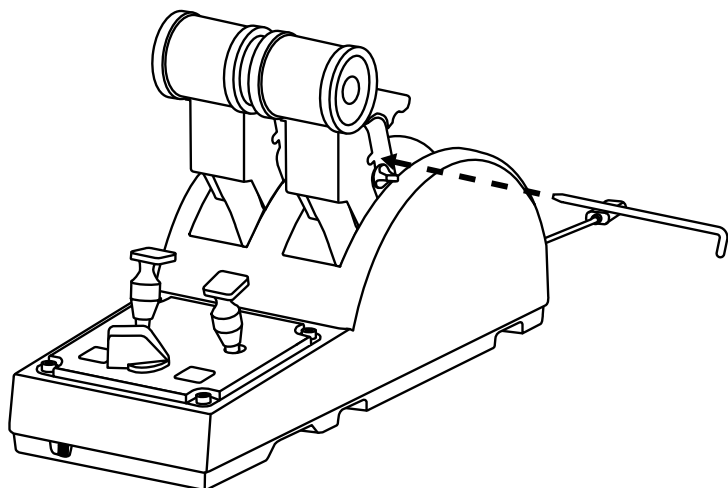
1. Fordítsa a TCA Quadrant Airbus Edition quadrant gázkart és a két plusz TCA Quadrant Add-On Airbus Edition modult fejjel lefelé és (egy megegyező fejű csavarhúzó használva) csavarja fel a TCA Quadrant Airbus Edition quadrant gázkarhoz és a TCA Quadrant Add-On Airbus Edition-höz járó négy rögzítő elemet a három eszköz összekapcsolásához: a Szárnyfék modul a TCA Quadrant Airbus Edition bal, míg a Féklap modul a jobb oldalára kerül.
2. Csatlakoztassa a TCA Quadrant Add-On Airbus Edition-höz járó SATA kábeleket az TCA Quadrant Airbus Edition-ön található SATA csatlakozókba.



- Mindig a csavarfejjel megegyező csavarhúzózt használja a ki/bezsavaráshoz, hogy elkerülje a termék sérülését.
- Csak a Thrustmaster által küldött hivatalos kábeleket használja.

A KÉT TOLÓERŐ SZABÁLYZÓ ÖSSZE/SZÉTKAPCSOLÁSA

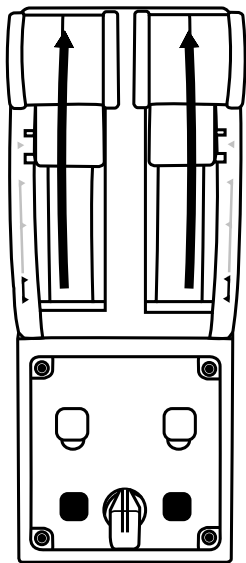
Használja a TCA Quadrant Airbus Edition quadrant gázkarhoz tartozó rögzítő kulcsot a két tolóerő szabályzó összekapcsolásához.



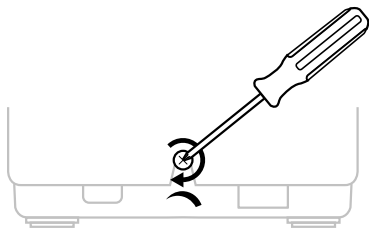
A SURLÓDÁS BEÁLLÍTÁSA

FONTOS MEGJEGYZÉSEK:

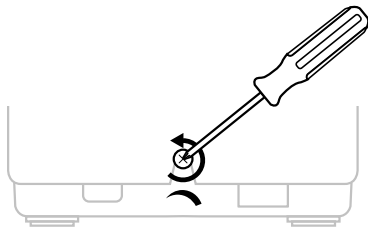
- A két tolóerő szabályzó sűrűdása 50%-ra van állítva alapértelmezettként.
 - Annak érdekében, hogy az igénye szerint pontosan be tudja állítani a sűrűdást a sűrűdást állító csavar segítségével, használjon egy a csavarral megegyező fejű csavarhúzó, vagy a hozzá tartozó rögzítő kulcsot.
1. Nyomja mindkét tolóerő szabályzót a maximális értékre, így hozzá tud féni a TCA Quadrant Airbus Edition hátulján található sűrűdást állító csavarhoz.



2. A sűrűdás mértékének a növeléséhez, fordítsa a sűrűdást állító csavart az óra mutató járásával megegyező irányba.



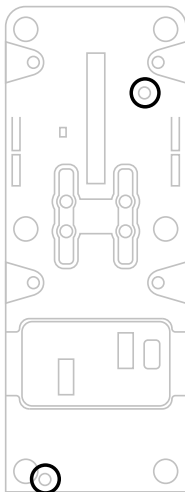
3. A súrlódás mértékének a csökkentéséhez, fordítsa a súrlódást állító csavart az óra mutató járásával ellenkező irányba.



- A súrlódást szabályzó rendszer könnyen megsérülhet, ha túlhúzza a súrlódást állító csavart. Hagyja abba a csavarást, amint ellenállást érzel.
- Soha ne csavarja ki teljesen az állító csavart, nehogy beleessen TCA Quadrant Airbus Edition szerkezetbe.

A TCA QUADRANT AIRBUS EDITION QUADRANT GÁZKAR PILÓTAFÜLKÉBE VAGY EGYÉB ASZTALFELÜLETRE TÖRTÉNŐ RÖGZÍTÉSE

Használja a TCA Quadrant Airbus Edition alján található két lyukat az eszköz pilótafülkébe vagy egyéb asztalfelületre való rögzítéséhez M6-os csavart használva (nem a csomag része).



A TFRP* OLDALKORMÁNY RENDSZER TCA QUADRANT AIRBUS EDITION QUADRANT GÁZKARHOZ TÖRTÉNŐ RÖGZÍTÉSE

* Külön kapható

A TCA Quadrant Airbus Edition quadrant gázkar 7 tengellyel rendelkezik, melyből 3 tengely a TFRP oldalkormány rendszer számára van fenntartva.

A TFRP oldalkormány rendszer közvetlenül csatlakozik a TCA Quadrant Airbus Edition quadrant gázkarhoz.

1. Csatlakoztassa a TFRP oldalkormány rendszer RJ12 csatlakozóját a TCA Quadrant Airbus Edition quadrant gázkar hátulján található RJ12 csatlakozó aljzatba.
2. Csatlakoztassa az TCA Quadrant Airbus Edition quadrant gázkar USB csatlakozóját a PC egyik USB portjába.

Fontos megjegyzés a tengelyek automatikus kalibrálásáról:

- Mindig hagyja az oldalkormány tengelyt közézpállásba, amikor a TFRP oldalkormány rendszert a TCA Quadrant Airbus Edition quadrant gázkarhoz csatlakoztatja: soha ne tegye a lábát a TFRP oldalkormány rendszer pedáljaira a csatlakoztatás során.
- A pedál 3 tengelye automatikusan bekalibrálja magát pár mozdulat után és miután az oldalkormány tengelye és a differenciál fék 2 tengelye elérte a fizikai határait.

T.A.R.G.E.T KORSZERŰ PROGRAMOZÓ SZOFTVER (Thrustmaster Advanced pProgramming Graphical Editor)

Látogasson el a <https://support.thrustmaster.com> weboldalra. Kattintson a **Joysticks / TCA Quadrant Airbus Edition-re**, majd válassza ki a **Software-t**. Töltsse le és telepítse a T.A.R.G.E.T korszerű programozó szoftverjét.

A T.A.R.G.E.T legfontosabb jellemzői:

- A tengelyek különböző konfigurációs lehetőségei.
- Különböző programozási szintek: Basic, Advanced és Script.
- „Drag and Drop” (Húzás) alapelv alkalmazása.
- Lehetővé teszi a TCA Quadrant Airbus Edition quadrant gázkar használatát más Thrustmaster joystickokkal (HOTAS Cougar, HOTAS Warthog, T.16000M, MFD Cougar Pack, mindegyik kompatibilis a T.A.R.G.E.T-el), melyeket egyszerű USB eszközként ismer fel.
- Hozzáférést biztosít a Thrustmaster közösség által létrehozott leghaladóbb profilokhoz.



HIBAEHÁRÍTÁS ÉS FIGYELMEZETÉS

- **A TCA Quadrant Airbus Edition quadrant gázkar nem működik rendszeren vagy nincs megfelelően kalibrálva.**
 - Kapcsolja ki a PC-t és húzza ki a TCA Quadrant Airbus Edition quadrant gázkar USB csatlakozóját. Majd csatlakoztassa újra az USB csatlakozót, kapcsolja be a PC-t és indítsa újra a játékot.
 - Amikor a TCA Quadrant Airbus Edition quadrant gázkar USB-jét csatlakoztatja, mindig hagyja az oldalkormány tengelyt középállásban, amennyiben, a TFRP oldalkormány rendszert használja (külön kapható): soha ne tegye a lábát a TFRP oldalkormány rendszer pedáljaira a csatlakoztatás során.
- **Nem tudom a TCA Quadrant Airbus Edition quadrant gázkart konfigurálni.**
 - A játék Options / Controller / Gamepad vagy Joystick menüjében, válassza ki a megfelelő beállítást vagy teljesen konfigurálja újra a kontrollert.
 - További információért olvassa el a játék használati útmutatóját vagy használja az online segítséget.
 - Használja a T.A.R.G.E.T (Thrustmaster Advanced Programming Graphical Editor) korszerű programozó szoftvert.
- **A TCA Quadrant Airbus Edition quadrant gázkar túlérzékenyen vagy nem elég érzékenyen reagál.**
 - A TCA Quadrant Airbus Edition quadrant gázkar tengelyek automatikusan bekalibrálják magukat pár mozdulat után és miután a tengelyek elérték a fizikai határaikat.
 - A játék Options / Controller / Gamepad vagy Joystick menüjében, állítsa be a controller érzékenységet és a holtjátékot (ha van ilyen lehetőség).
 - Használja a T.A.R.G.E.T (Thrustmaster Advanced Programming Graphical Editor) korszerű programozó szoftvert.



Az eszköz kizárólag szórakoztatójáték célra lett tervezve. Az eszközt szigorúan tilos szakmai tréningeken használni.

TERMÉKSZAVATOSSÁGI TÁJÉKOZTATÓ

A franciaországi központú Guillemot Coporation S.A. (továbbiakban "Guillemot") (székhelyének címe: Place du Granier, B.P. 97143, 35571 Chantepie, Franciaország) világszerte garanciát vállalja a vásárlóinak, hogy a Thrustmaster által forgalmazott termék anyag és gyártási hibáktól mentes és a meghatározott szavatossági időn belül a termékkel szemben a cég eljár, ha szükséges. Az Európai Unió országain belül ez a szavatossági idő a Thrustmaster termék kiszállításától számított két (2) év. Más országokban, a Thrustmaster termékekre vonatkozó szavatossági időre azon helyi jogszabályok alkalmazandók, ahol a vásárló a vásárlás ideje alatt állandó jelleggel tartózkodott (ha a szóban forgó országnak nincsen ilyen jellegű törvénykezése, abban az esetben a Thrustmaster termék eredeti idejének vásárlásától számítva a szavatossági idő egy (1) év).

A fent meghatározottak ellenére, az akkumulátorok szavatossági ideje a vásárlástól számított hat (6) hónapon belül lejár.

Amennyiben a szavatossági idő alatt a termékben meghibásodást észlel, úgy azonnal lépjen kapcsolatba a Vevőszolgálattal és ökö megmondják mit kell tennie. Ha a meghibásodást jóváhagyják, a terméket vissza kell vinnie a vásárlás helyszínére (vagy a Vevőszolgálat által kijelölt helyre).

A jótállás keretein belül, a vásárló hibás termékét a Vevőszolgálat vagy kicseréli, vagy megjavítja. Ha a szavatossági időn belül a Thrustmaster termék javítás alatt áll legalább (7) hét napig, abban az esetben, a kiesett napok számával a szavatossági idő meghosszabbítható (ezt az időszakot az alábbiak szerint kell számolni: vagy attól a dátumtól kezdve amikor a vásárló panaszt tett vagy attól a dátumtól kezdve, amikor a termék javításra átadásra került, amennyiben ez a dátum nem esik egybe a panasztétel időpontjával). Ha az alkalmazandó jogszabályok megengedik, a Guillemot és a leányvállalatai (közvetett károkat is beleértve) egyaránt a Thrustmaster termék helyreállítására vagy annak a kicserélésére kell, hogy törekedjen. Ha az alkalmazandó jogszabályok megengedik, Guillemot a termék felhasználhatóságával és rendeltetésével kapcsolatban nem vállal garanciát.

A termékszavatosság nem érvényes: (1) ha a terméket bármilyen formában módosították, felnyitották, nem rendeltetészerűen használták, egyéb külső sérüléseknek tették ki, gondatlansággal kezelték vagy normális mértékben elhasználódott és az ebből fakadó károk nem vezethetőek vissza a termék gyári meghibásodásra (beleértve, de nem kizárólagosan azt az esetet, amikor a Thrustmaster terméket valamilyen nem a Guillemot által forgalmazott tápegységgel, akkumulátorral, töltővel vagy egyéb eszközzel használták); (2) ha a terméket nem csak saját használatra, hanem szakmai vagy kereskedelmi célokra is felhasználták (pl.: játékszoba, tréning, versenyek); (3) ha a vásárló nem követte a Vevőszolgálat utasításait (4) szoftver hiba esetén. Arra más módon meghatározott jótállás érvényes; (5) fogyóeszközökre (olyan eszközök, amelyeket a termék élettartama alatt kell cserélni. Pl.: eldobható elemek, fejhallgató vagy headset fülpáma); (6) kiegészítőkre (pl.: kábelek, tokok, tasakok, táskák, csukló rögzítők); (7) ha a terméket aukció során vásárolták meg.

A jótállás nem átruházható.

A vásárló törvényes jogaira nincs hatással a termékszavatosság, akármilyen törvények is vonatkoznak a saját országában megvásárolt termékekre.

További termékszavatossággal kapcsolatos rendelkezések

A szavatossági idő alatt, Guillemot semmiféle alkatrészt nem bocsájthat a vásárló részére, mivel csak a Vevőszolgáltatásnak van kizárólagos joga ahhoz, hogy felnyisson és/vagy megszereljen akármilyen Thrustmaster terméket (kivételet képez az az eset, amikor a Vevőszolgáltatás külön írásos instrukciókkal látja el a vásárlót a szerelést illetően és az ehhez szükséges alkatrészeket is a rendelkezésére bocsájta pl.: ha nagyon egyszerű és titoktartást nem igénylő szerelési folyamatról van szó.)

Az innovációs ciklusra való tekintettel és a termék szabadalmának, illetve az üzleti titkának védelme érdekében, Guillemot nem tesz ígéretet olyan Thrustmaster termék javítására és nem szolgáltat hozzá alkatrészt, amelynek a termékszavatossága már lejárt.

Az Amerikai Egyesült Államokban és Kanadában a termékszavatosság csak a termék belső szerkezetére és a készülékházra terjed ki. Sem Guillemot, sem a partnerei nem vonhatóak felelőségre egy harmadik fél által, a közvetlen vagy közvetett garancia megszegése miatt fellépő esetleges károk miatt. Némely Államokban/Tartományokban nincs szabályozva, hogy mikor jár le a közvetett termékszavatosság vagy nincs meghatározva a felelősség mértéke vagy annak teljes kizárása közvetett vagy véletlenszerű károk okozása esetén. Ebben az esetben a fentebb említett szabályozások és kizárások nem vonatkoznak Önre. A termékszavatosság különleges törvényi jogokkal ruhazza Önt fel, illetve más jogok is megilletik, amelyek államonként és tartományonként eltérhetnek.

Felelősségvállalás

Ha az alkalmazandó jogszabályok megengedik, a Guillemot Corporation S.A. (továbbiakban "Guillemot") és leányvállalatai nem vállalnak semmiféle felelőséget, ha a károk az alábbiak szerint keletkeztek: (1) a terméket bármilyen formában módosították vagy felnyitották; (2) nem tartották be az összeszerelési utasítást; (3) a terméket nem rendeltetésszerűen használták, egyéb külső sérüléseknek tették ki (pl.: nyomásnak), gondatlanul kezelték; (4) a termék normális mértékben használdott el; (5) a terméket nem csak saját használatra, hanem szakmai vagy kereskedelmi célokra is felhasználták (pl.: játékszoba, tréning, versenyek). Amennyiben az alkalmazandó jogszabályok lehetővé teszik, úgy Guillemot és a leányvállalatai nem vállalnak felelőséget azon károkért, amelyek nem a termék minőségi vagy gyártási problémájából fakadnak. (beleértve, de nem kizárólagosan azt az esetet, amikor a károkat direkt vagy indirekt módon egy szoftver okozza vagy a Thrustmaster terméket valamilyen nem a Guillemot által forgalmazott tápegységgel, akkumulátorral, töltővel vagy egyéb eszközzel használták.)

THRUSTMASTER®

VEVŐSZOLGÁLAT

<https://support.thrustmaster.com>



SZERZŐI JOG

© 2020 Guillemot Corporation S.A. Minden jog fenntartva. Thrustmaster® a Guillemot Corporation S.A. bejegyzett védjegye. Windows® a Microsoft Corporation által jegyzett védjegy az egész USA-ban és más országokban is.

Az AIRBUS logó és termék és szolgáltatási védjegy az Airbus regisztrált védjegyei. Minden jog fenntartva.

© Airbus 2020. Minden jog fenntartva. Az Airbus hivatalos licence.

Minden más védjegy a tulajdonos tulajdonában áll. Az illusztrációk nem kötelező érvényűek. A tartalom, design és specifikáció bármikor módosíthatók további értesítés nélkül és országonként eltérhetnek. Kínában készült.

A légielő által hivatalosan engedélyezett termék. Az amerikai légielő beleegyezése nem szükséges.

KÖRNYEZETVÉDELMI AJÁNLÁS



* Az Európai Unión belül: ha a termék élettartama lejárt, ne dobja ki a háztartási szeméttel együtt, hanem adja le egy az elektromos és elektronikus berendezések hulladékának újrafelhasználásáért felelős gyűjtőponton. (WEEE) Ezt az alábbi ikon is jelöli, amit a terméken, használati útmutatón és csomagoláson is megtalál.

Az anyag sajátosságaitól függően, újrafelhasználásra lehet alkalmas. Az újrafelhasználással és azzal, hogy az elektromos és elektronikus berendezések hulladék megsemmisítésének a módját követi, jelentősen hozzájárul a környezete védelméhez. Lépjen kapcsolatba a helyi önkormányzattal, hogy hol található az Önhöz legközelebbi gyűjtőpont.

Nem Európai Uniói országokban: Vegye figyelembe a helyi elektromos és elektronikus hulladék újrafelhasználásra vonatkozó törvényt.

Őrizze meg a tájékoztatót. A színek és díszítés eltérhetnek.

Távolítsa el a műanyag rögzítőket és ragasztószalagokat a használatba vétel előtt.

A termék minden tekintetben megfelel a 14 éves vagy annál idősebb gyerekeknek. A termék 14 alatti gyerekek használatára nem ajánlott.

www.thrustmaster.com

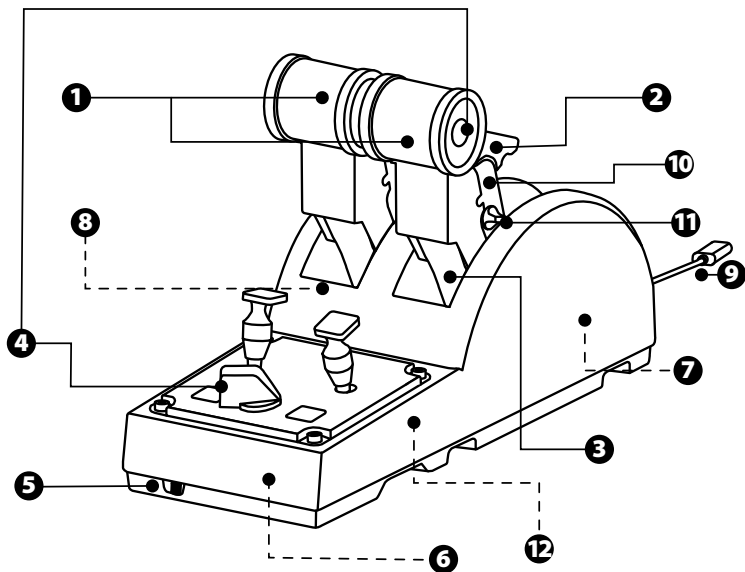
*EU-ban és Törökországban alkalmazható

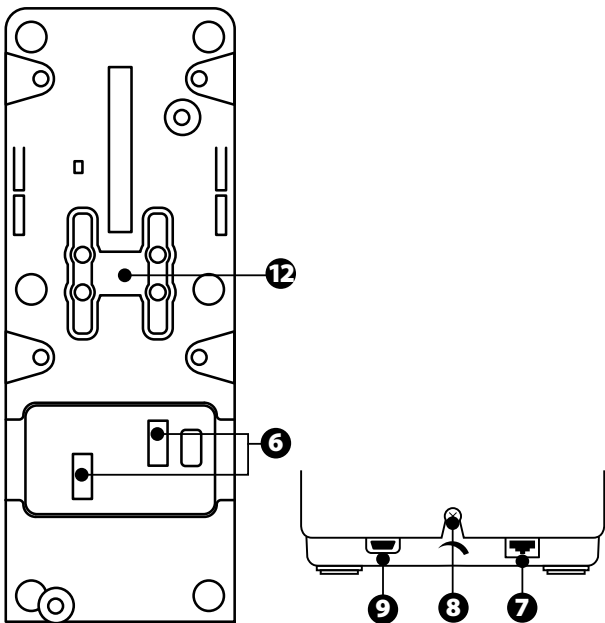


TCA QUADRANT AIRBUS EDITION

מדריך למשתמש

מאפיינים טכניים





- | | | | |
|-----|--|----|---|
| .7 | מחבר למערכת ייצוב TFRP (נמכרת בנפרד) | .1 | צירי X ו-Y למצערת |
| .8 | בורג להתאמת החיכוך | .2 | מנגנון היפוך דחף לכל ציר |
| .9 | מחבר USB (לחיבור type B) | .3 | 4 מעצורים לכל ציר — 4 לחצנים וירטואליים לכל ציר |
| .10 | מיקום בריח אופקי | .4 | 8 לחצני פעולות |
| .11 | מנגנון להפעלה/השבתה של היפוך דחף לכל ציר | .5 | מתג בורר למנועים: 1/2 או 3/4 |
| .12 | מנגנון להפעלה/השבתה של מעצורים לכל ציר | .6 | מחברי SATA למודולים חיצוניים מסדרת TCA Quadrant Add-On Airbus Edition (תוסף נמכר בנפרד) |

התקנה במחשב אישי (PC)

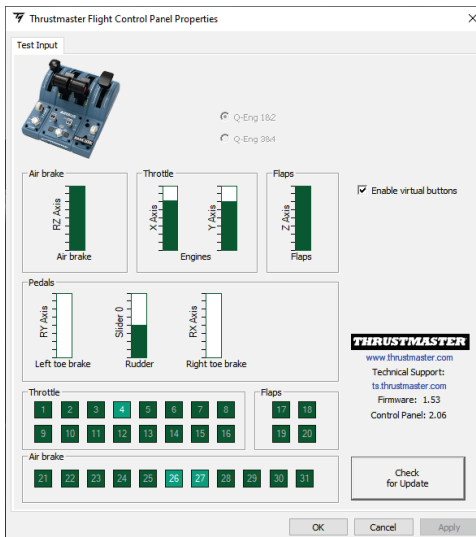
1. יש להיכנס לאתר <https://support.thrustmaster.com/>. יש ללחוץ על Joysticks / TCA / Quadrant Airbus Edition ולבחור באפשרות Drivers. עליך להוריד ולהתקין את מנהל ההתקן ל-PC ואת הממשק המתאם ללוח הבקרה של Windows.

2. לאחר התקנת מנהל ההתקן ל-PC, יש לחבר את מחבר ה-USB של המכשיר לאחת מיציאות ה-USB של המחשב.

3. על מנת לגשת ללוח הבקרה, יש ללחוץ על התחל / אפליקציות / Thrustmaster / לוח הבקרה (במערכות Windows® 10 / 8.1 / 8).

תיבת הדו-שיח בקרי משחק תופיע. האביזר מופיע במסך תחת השם Q-Eng 1&2 או TCA Q-Eng 3&4, בהתאם למיקום המתג הבורר למנועים [5], לצד המצב תקין.

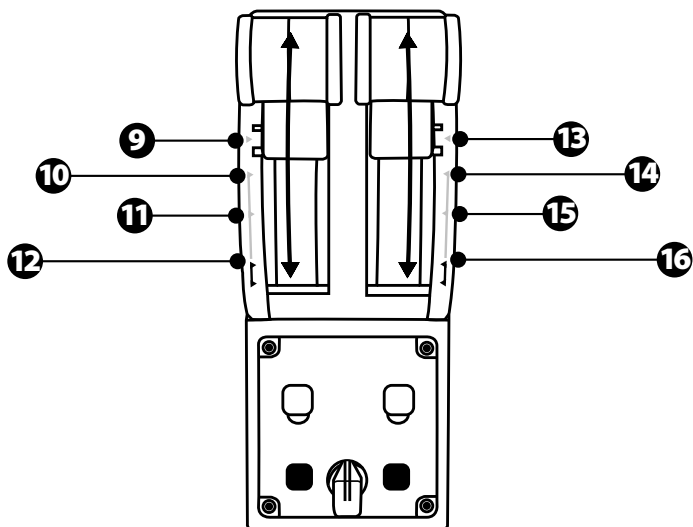
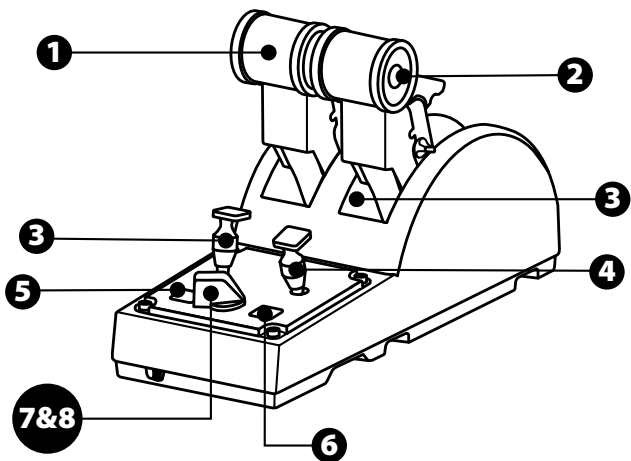
4. בתיבת הדו-שיח בקרי משחק, יש ללחוץ על מאפיינים בכדי לבדוק ולהציג את כל התכונות.

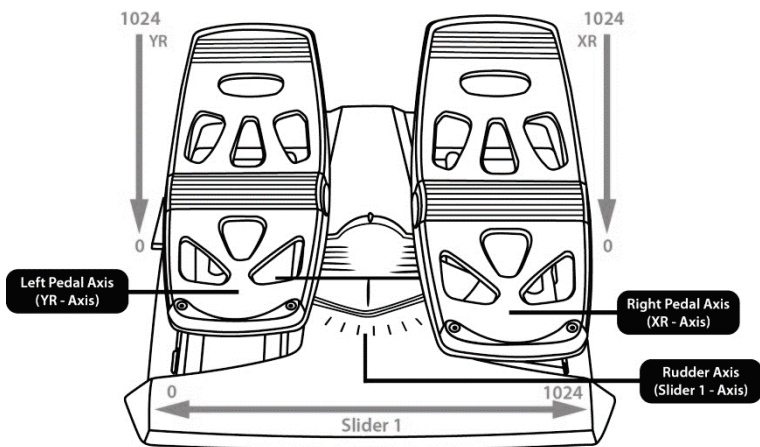
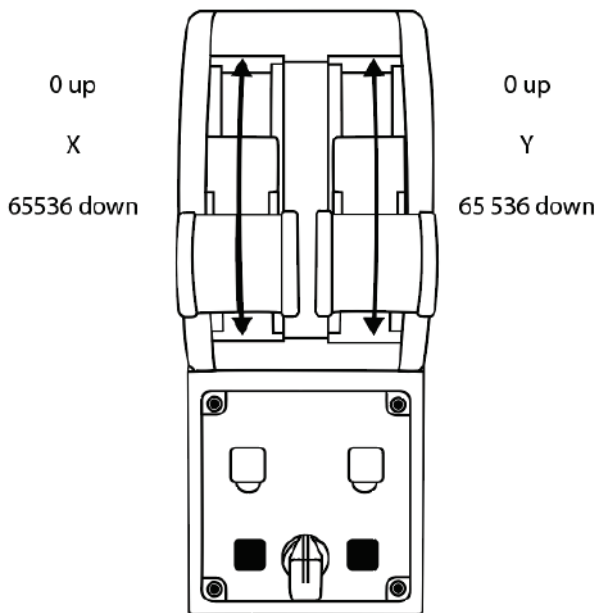


Enable virtual buttons (Включить виртуальные кнопки): этот параметр позволяет включать или отключать виртуальные кнопки на осях рычага управления. Нажмите **Apply** (Применить) после того, как выберете необходимый режим.

עכשיו הכול מוכן למשחק!

מיפוי ל-16 הלחצנים ול-2 הצירים



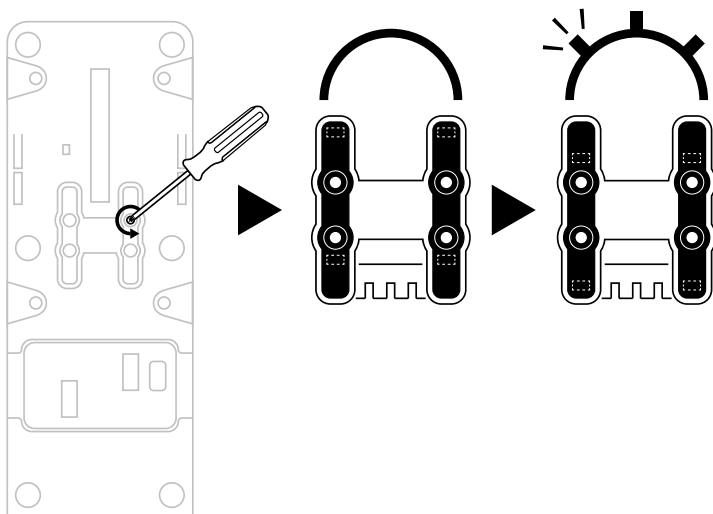


TCA QUADRANT AIRBUS **ביצוע שינויים בצירים של מצערת** EDITION

מצערת TCA Quadrant Airbus Edition כוללת בוררים מכניים המאפשרים להשבית את המעצורים/זזים של כל ציר. הדבר מאפשר תנועה חלקה של הצירים, תוך שמירה על הלחצנים הווירטואליים עד 16.

אפשרות זו מאפשרת לך לשנות את חוויית הטיסה בהתאם לכלי הטיס המשמש אותך בסימולציה (מטוס מסחרי או מטוס אזרחי).

1. יש להפוך את מצערת TCA Quadrant Airbus Edition על פניה, ולשחרר את הברגת שני הברגים של כל אחד מהבוררים באמצעות מברג בעל ראש תואם.
2. יש להחליף את מיקום הבוררים, תוך שימוש בסימונים להכוונה: כך ניתן לבחור בין ציר חלק לבין ציר עם מעצורים/זזים, לכל ציר של מצערת TCA Quadrant Airbus Edition.

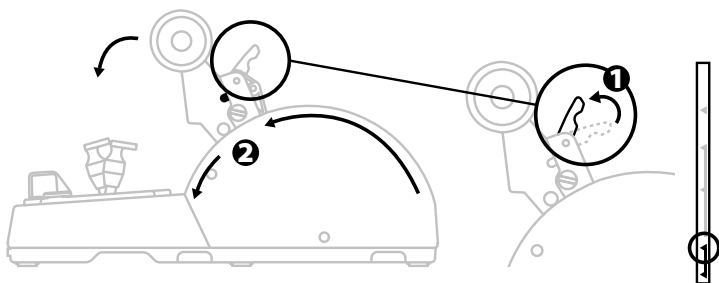


TCA QUADRANT AIRBUS השבתת מנגנוני היפוך הדחף במצערת EDITION

מצערת TCA Quadrant Airbus Edition כוללת מנגנוני היפוך דחף פונקציונליים, המדמים את המנגנונים המצויים במצערות התעופה המסחרית של Airbus. ניתן להשבית את מנגנון היפוך הדחף, לטיסה שמתאימה יותר לתעופה אזרחית.

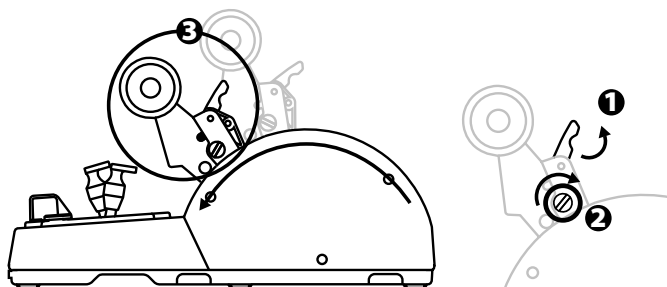
מצב מטוס מסחרי:

1. לאחר הגעה למעצור, יש להרים את מנגנון היפוך הדחף.
2. תנועה מעבר למעצור מאפשרת להשתמש בהיפוך הדחף.

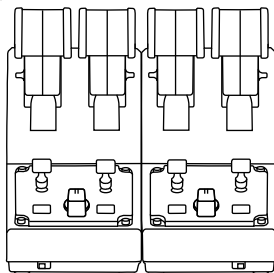


מצב תעופה כללית ואזרחית:

1. יש להרים את מנגנון היפוך הדחף.
2. יש להעביר את הבורר למיקום 0 על מנת להשבית את מנגנון היפוך הדחף.
3. כעת ניתן להזיז את ידית הדחף לאורך הציר כולו.

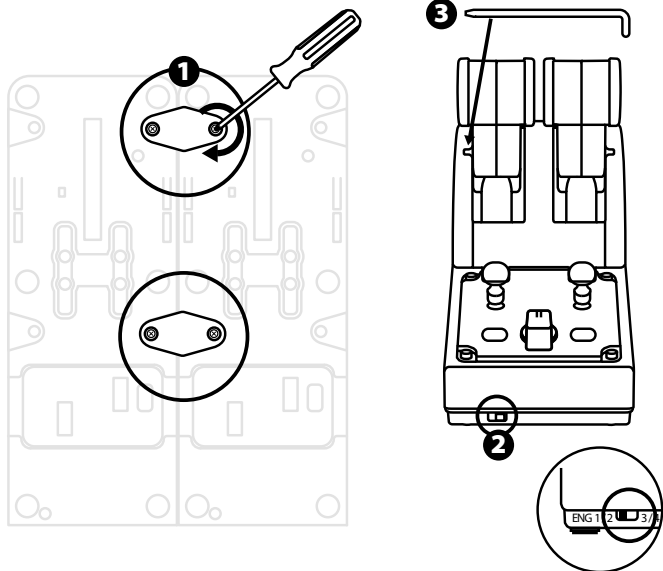


חיבור שתי מצערתות TCA QUADRANT AIRBUS EDITION

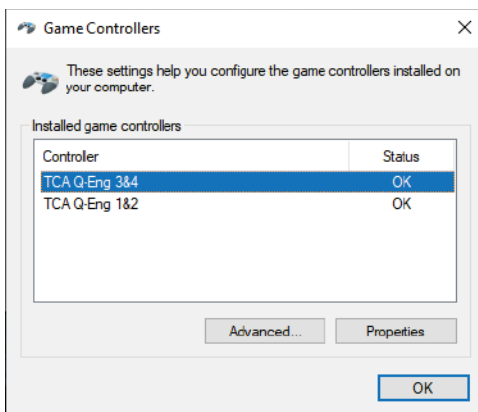


ניתן לחבר מצערתות TCA Quadrant Airbus Edition שנייה (נמכרת בנפרד): כך ניתן להשתמש ב-4 צירים בסך הכול, ולדמות מטוס מסחרי בעל ארבעה מנועים, למשל.

1. יש להפוך את שתי המצערות TCA Quadrant Airbus Edition על פניהן, ולחבר בהברגה את שני חלקי החיבור המצורפים ל-TCA Quadrant Airbus Edition על מנת לחבר יחדיו את שני המכשירים.
2. במצערת השנייה, יש להעביר את המתג הבורר ל-3/4 על מנת לקשר את מנועים 3 ו-4 למצערת השנייה (בלוח הבקרה במחשב PC).
3. ניתן לחבר את הצירים בזוגות (1/2 ו-3/4) כדי שיהיה קל יותר להזיז אותם באופן אחיד, באמצעות הבריה האופקית המצורפת לכל TCA Quadrant Airbus Edition.
- 4.

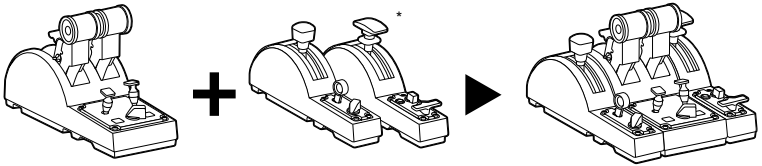


5. כששני המכשירים מחוברים למחשב באמצעות USB, הם מופיעים בנפרד בתיבת הדו-שיח בקרי משחק:



חיבור מצערת TCA QUADRANT AIRBUS EDITION ל- TCA *QUADRANT ADD-ON AIRBUS EDITION

* למכירה בנפרד

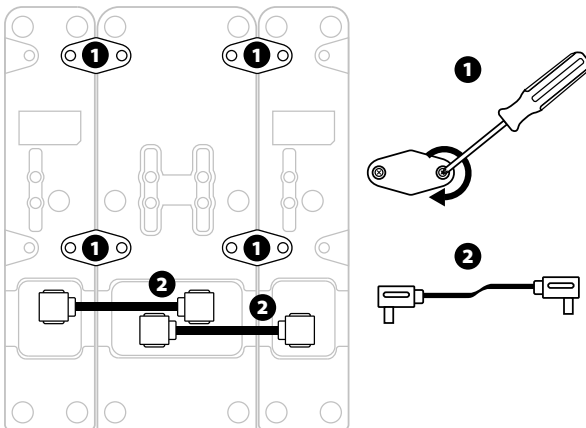


מצערת TCA Quadrant Airbus Edition מאפשרת לחבר מודולים נוספים מסדרת TCA Quadrant Airbus Edition (נמכרים בנפרד) משני הצדדים של TCA Quadrant Airbus Edition.

המודולריות הזו מוסיפה צירים ולחצני פעולות חדשים ומאפשרת להרחיב את יכולות התנועה במהלך ההמראה, הטיסה והנחיתה עם מצערת TCA Quadrant Airbus Edition.

1. יש להפוך את מצערת TCA Quadrant Airbus Edition ואת שני המודולים הנוספים מסדרת TCA Quadrant Add-On Airbus Edition על פניהם, ואז (באמצעות מברג בעל ראש תואם) לחבר בהברגה את ארבעת חלקי החיבור המצורפים למצערת TCA Quadrant Airbus Edition ול- TCA Quadrant Add-On Airbus Edition, וכך לחבר יחדיו את כל שלושת המכשירים: את מודול מעצור האוויר משמאל למצערת TCA Quadrant Airbus Edition, ואת מודול מדפי הכנף מימין.

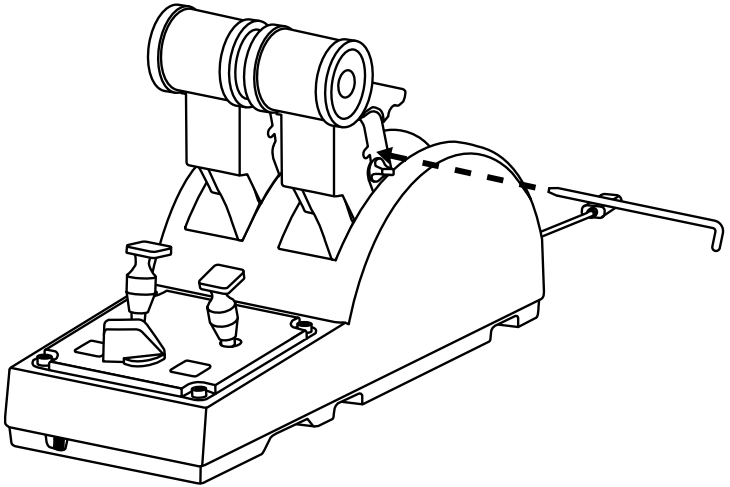
2. יש לחבר את כבלי ה-SATA המצורפים ל- TCA Quadrant Add-On Airbus Edition למחבר ה-SATA של TCA Quadrant Airbus Edition.



- על מנת להימנע מגרימת חזק למוצר, יש להשתמש במברג בעל ראש תואם לצורך הידוק/פתיחת הברגים.
- יש להשתמש אך ורק בכבלים רשמיים המסופקים על ידי Thrustmaster.

חיבור/הפרדת שתי ידיות הדחף

ניתן להשתמש בבריח האופקי המצורף ל-TCA Quadrant Airbus Edition על מנת לחבר את שתי ידיות הדחף זו לזו.

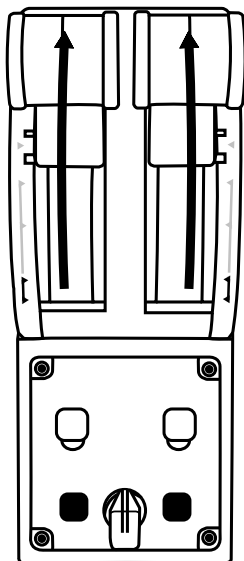


התאמת החיכוך

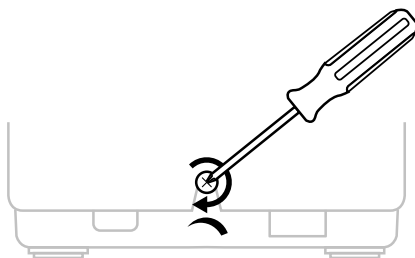
הערות חשובות:

- רמת החיכוך של שתי ידיות הדחף מכוונת ל-50% לפי ברירת המחדל.
- על מנת לאפשר כוונון מדויק בהתאם להעדפותיך, ניתן להשתמש במברג בעל ראש תואם — או בבריאח האופקי המצורף — על מנת לסובב את בורג התאמת החיכוך.

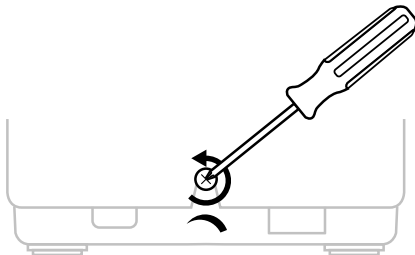
1. יש לדחוף את שתי ידיות הדחף קדימה עד לערך המקסימלי שלהן, ואז לגשת לבורג התאמת החיכוך בגב מצערת TCA Quadrant Airbus Edition.



2. על מנת להגביר את החיכוך, יש לסובב את בורג התאמת החיכוך עם כיוון השעון.



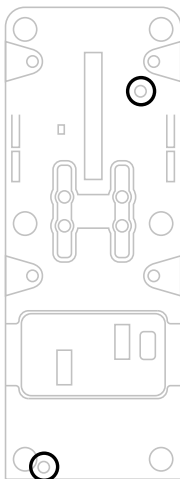
3. על מנת להפחית את החיכוך, יש לסובב את בורג התאמת החיכוך כנגד כיוון השעון.



- על מנת להימנע מגרימת נזק למערכת, יש להיזהר מהידוק יתר של בורג ההתאמה: עליך להפסיק לסובב את הבורג כאשר מורגשת התנגדות.
- לעולם אין לשחרר לחלוטין את בורג ההתאמה, כדי למנוע נפילה של הבורג לתוך גוף המצערת TCA Quadrant Airbus Edition.

חיבור מצערת TCA QUADRANT AIRBUS EDITION לתא טייס או למשטח קבוע אחר

ניתן להשתמש בשני החריצים הממוקמים בתחתית TCA Quadrant Airbus Edition על מנת לחבר אותה לתא טייס או למשטח קבוע אחר, באמצעות ברגי M6 (לא כלולים).



TCA QUADRANT AIRBUS *TFRP למצעת

EDITION

* למכירה בנפרד

מצעת TCA Quadrant Airbus Edition כוללת 7 צירים, כאשר 3 מהצירים הללו שמורים למערכת הייצוב TFRP.

מערכת הייצוב TFRP מתחברת ישירות למצעת TCA Quadrant Airbus Edition.

- יש לחבר את מחבר RJ12 זכר של מערכת הייצוב TFRP למחבר RJ12 נקבה בגב מצעת TCA Quadrant Airbus Edition.
- יש לחבר את מחבר ה-USB של מצעת TCA Quadrant Airbus Edition לאחת מיציאות ה-USB של המחשב.

הערות חשובות בנוגע לכיול אוטומטי של הצירים:

- יש להשאיר את ציר הייצוב ממרכז תמיד בעת חיבור מערכת הייצוב TFRP למצעת TCA Quadrant Airbus Edition: לעולם אין להניח את רגליך על הדוושות של מערכת הייצוב TFRP בעת ביצוע החיבור.
- 3 הצירים של הדוושות מבצעים לעצמם כיול אוטומטי לאחר כמה תנועות, ולאחר שהגיעו למעצורים הפיזיים של ציר הייצוב ושל 2 צירי הבלימה הדיפרנציאליים.

תוכנת T.A.R.G.E.T לתכנות מתקדם

(Thrustmaster Advanced pProgramming Graphical EdiTor)

יש להיכנס לאתר <https://support.thrustmaster.com> יש ללחוץ על TCA / Joysticks Quadrant Airbus Edition, ואז לבחור באפשרות Software. עליך להוריד ולהתקין את תוכנת T.A.R.G.E.T לתכנות מתקדם.

- תכונות עיקריות של T.A.R.G.E.T:
- הגדרות תצורה שונות של הצירים.
- רמות תכנות שונות: Basic, Advanced ו-Script.
- שימוש בשיטת "גרור ושחרר".
- אפשרות לשלב את מצעת TCA Quadrant Airbus Edition עם ג'ויסטיקים שונים מבית Thrustmaster (HOTAS Cougar, HOTAS Warthog, T.16000M, MFD Cougar Pack), כולם תואמים גם הם ל-T.A.R.G.E.T, מה שמאפשר זיהוי שלהם במכשיר USB אחד.
- גישה לפרופילים מתקדמים שנצרו על ידי קהילת Thrustmaster.



פתרון בעיות ואזהרות

- **מצערת TCA Quadrant Airbus Edition לא פועלת כמו שצריך, או שנדמה שאינה מכוילת כראוי.**
 - יש לכבות את המחשב ולנתק את מחבר ה-USB של מצערת TCA Quadrant Airbus Edition. לאחר מכן יש לחבר מחדש את מחבר ה-USB, להפעיל שוב את המחשב, ולהתחיל את המשחק מחדש.
 - בעת חיבור מחבר ה-USB של מצערת TCA Quadrant Airbus Edition, יש להשאיר את ציר הייצוב ממורכז תמיד, במקרה של שימוש במערכת הייצוב TFRP (למכירה בנפרד): לעולם אין להניח את רגליך על דוושות מערכת הייצוב TFRP בעת ביצוע החיבור.
- **אין ביכולתי לקבוע את הגדרת התצורה של מצערת TCA Quadrant Airbus Edition.**
 - בתפריט Options (אפשרויות) / Controller (בקר) / Gamepad (שלט משחק) או Joystick (מוט היגוי) של המשחק שלך, יש לבחור את התצורה המתאימה או להגדיר מחדש לחלוטין את אפשרויות הבקר.
 - למידע נוסף, יש לעיין במדריך למשתמש או בעזרה המקוונת של המשחק שלך.
 - באפשרותך להשתמש בתוכנת T.A.R.G.E.T (Thrustmaster Advanced pRogramming Graphical EdiTor) לתכנות מתקדם.
- **מצערת TCA Quadrant Airbus Edition רגישה מדי, או שאינה רגישה מספיק.**
 - הצירים של מצערת TCA Quadrant Airbus Edition מבצעים לעצמם כיוול אוטומטי לאחר מספר תנועות, ולאחר שהגיעו למעצורים הפיזיים של הצירים.
 - בתפריט Options (אפשרויות) / Controller (בקר) / Gamepad (שלט משחק) או Joystick (מוט היגוי), יש להתאים את הרגישות ואת השטחים המתים של הבקר (אם אפשרויות אלה זמינות).
 - באפשרותך להשתמש בתוכנת T.A.R.G.E.T (Thrustmaster Advanced pRogramming Graphical EdiTor) לתכנות מתקדם.



מכשיר זה נועד לשימוש למטרות משחק ושעשוע בלבד. חל איסור מוחלט להשתמש במכשיר זה לפעילויות הכשרה מקצועית.

פרטי אחריות

Guillemot Corporation S.A, 35571, Chantepie, France (שמשרדיה הרשומים ב-Place du Granier, B.P. 97143, מתחייבת לצרכן ברחבי העולם כי מוצר Thrustmaster יהיה נקי מפגמים בחומרים ובעבודה למשך תקופת אחריות התואמת את פרק הזמן להגשת תביעת תאימות ביחס למוצר זה. במדינות האיחוד האירופי, פרק הזמן האמור הוא שנתיים (2) ממועד אספקת מוצר Thrustmaster. במדינות אחרות, תקופת האחריות תואמת את פרק הזמן להגשת תביעת תאימות ביחס למוצר ה-Thrustmaster על פי החוקים החלים במדינה בה התגורר הצרכן בעת רכישת מוצר ה-Thrustmaster בהיעדר הגדרה כאמור במדינה הרלוונטית, תקופת האחריות תהיה לשנה אחת (1) מתאריך הרכישה המקורי של מוצר ה-Thrustmaster).

על אף האמור לעיל, סוללות נטענות מכוסות בתקופת אחריות בת שישה (6) חודשים מתאריך הרכישה המקורי.

במקרה והמוצר נראה פגום במהלך תקופת האחריות, פנו מייד למחלקת התמיכה הטכנית, אשר תספק לכם הוראות להמשך הטיפול. אם הפגם מאומת, יש להחזיר את המוצר לנקודת הרכישה (או לכל מקום אחר שייקבע על ידי מחלקת התמיכה הטכנית).

במסגרת אחריות זו, המוצר הפגום של הצרכן יוחלף או יתוקן על פי בחירת מחלקת התמיכה הטכנית. אם, במהלך תקופת האחריות, מוצר ה-Thrustmaster נמצא בתיקון, כל תקופה עד שבעה (7) ימים בהם המוצר אינו בשימוש, תוסף ליתרת תקופת האחריות (התקופה מתחילה עם בקשת הצרכן להתערבות או מהתאריך בו המוצר נמסר לתיקון, אם התאריך בו המוצר נמסר לתיקון הוא אחרי תאריך בקשת ההתערבות). במידה והדבר מותר על פי החוק החל, מלוא החבות של Guillemot וחברות הבת שלה (לרבות סקים תוצאתיים) מוגבלת להחזרת מוצר ה-Thrustmaster לפעולה או החלפתו. במידה והדבר מותר על פי החוק החל Guillemot, מסירה כל אחריות לסחירות או התאמה למטרה מסוימת.

האחריות לא תחול: (1) אם המוצר שונה, נפתח, עודכן או ניזוק כתוצאה משימוש בלתי הולם, רשלנות, תאונה, בלאי סביר או כל גורם אחר שאינו קשור בפגם בחומרים או בייצוא לרבות, אך ללא הגבלה, שילוב מוצר Thrustmaster עם כל מרכיב בלתי הולם, לרבות בעיקר ספקי כוח, סוללות נטענות, מטענים או כל רכיב אחר שאינו מסופק למוצר זה על ידי (2) Guillemot; אם המוצר שימש לכל מטרה שהיא מעבר לשימוש ביתי, לרבות למטרות מקצועיות או מסחריות (למשל, חדרי משחקים, הדרכה, תחרויות); (3) במקרה של אי עמידה בהוראות ממחלקת התמיכה הטכנית; (4) על תוכנה, כאשר התוכנה כפופה לאחריות ספציפית; (5) לרכיבים מתכלים (רכיבים שיוחלפו לאורך חיי המוצר: כגון סוללות חד פעמיות, אוזניות או רפידות לאוזניות); (6) על אביזרים (כגון כבלים, מארזים, תיקים, רצועות); (7) אם המוצר נמכר במכירה פומבית.

האחריות אינה ניתנת להעברה.

אחריות זו לא תשפיע על הזכויות החוקיות של הצרכנים ביחס לחוקים החלים על מכירת מוצרי צריכה בארץ שלהם.

הוראות אחריות נוספות

בתקופת האחריות Guillemot, לא תספק חלקי חילוף באופן עקרוני שכן מחלקת התמיכה הטכנית היא הגוף היחיד המוסמך לפתוח ו/או לתקן כל מוצר Thrustmaster שהוא (לא כולל נהלי טיפול שעשויה מחלקת התמיכה הטכנית לבקש מהצרכנים בהוראות בכתב - למשל, בשל פשטות התיקון והיעדר הסודיות בתהליך התיקון - ותוך אספקת חלק(י) החילוף לצרכנים כנדת, בהתאם לעניין).

בהתחשב במחזורי החדשנות שלה ובמטרה להגן על הידע והסודות המסחריים שלה, Guillemot לא תספק, באופן עקרוני, כל הודעת תיקון או חלקי חילוף למוצר Thrustmaster שתקופת האחריות לגביו פקעה.

בארה"ב ובקנדה, אחריות זו מוגבלת למנגנון הפנימי ולזיווד החיצוני של המוצר Guillemot. והחברות השותפות לה לא תהיינה אחראיות כלפי צד שלישי בגין נזקים תוצאתיים או נלווים הנובעים מתוך ההפרה של כל התחייבות מפורשת או מרומזת. ישנן מדינות/מחוזות שאינן מאשרות הגבלה על תקופת אחריות מרומזת או החרגה או הגבלת חבות בגין נזקים תוצאתיים או נלווים, לכן ייתכן כי ההגבלות או ההחרגות לעיל אינן חלות עליכם. האחריות מקנה לכם זכויות חוקיות ספציפיות וייתכן שעומדות לרשותכם זכויות נוספות המשתנות ממדינה למדינה או ממחוז למחוז.

חבת

במידה והדבר מותר על פי חוק) Guillemot Corporation S.A., להלן ("Guillemot"): וחברות הבת שלה מסירות כל חבות בגין נזקים שנגרמו על ידי אחד או יותר מהבאים: (1) המוצר שונה, נפתח או עודכן; (2) אי עמידה בהוראות ההרכבה; (3) שימוש בלתי הולם או בלתי ראוי, רשלנות, תאונה (כגון התנגשות); (4) בלאי סביר; (5) שימוש לכל מטרה שהיא מעבר לשימוש ביתי, לרבות למטרות מקצועיות או מסחריות (למשל, חדרי משחקים, הדרכה, תחחיות). במידה והדבר מותר על פי חוק Guillemot, וחברות הבת שלה מסירות על חבות בגין נזקים שאינם קשורים בפגם בחומרים או בייצור (לרבות, אך ללא הגבלה, נזקים שנגרמו על ידי תוכנה כלשהי באופן ישיר או עקיף, או משליב מוצר Thrustmaster עם כל מרכיב בלתי הולם, לרבות בעיקר ספקי כוח, סוללות נטענות, מטענים או כל רכיב אחר שאינו מסופק למוצר זה על ידי Guillemot.

זכויות יוצרים

© 2020 Guillemot Corporation S.A. כל הזכויות שמורות Thrustmaster®. הוא סמל מסחרי רשום של Guillemot Corporation S.A. AIRBUS הלוגו וסימני המוצר והשירות הם סימנים מסחריים רשומים של Airbus. כל הזכויות שמורות.

Airbus 2020 © כל הזכויות שמורות. ברישיון רשמי של Airbus. Windows® הוא סמל מסחרי רשום של Microsoft Corporation בארה"ב ו/או במדינות אחרות. כל יתר הסימנים המסחריים ושמות המותגים מוכרים ומהווים את הרכוש של בעליהם בהתאמה. האירוס אינם מחייבים. תוכן, עצובים ומפרטים נתונים לשינוי ללא הודעה ועשויים להשתנות ממדינה למדינה. תוצרת סין.

המלצת איכות הסביבה

באיחוד האירופי: עם סיום חיי המוצר, אין להשליך אותו ביחד עם פסולת ביתית, אלא למסור אותו לתחנת איסוף השלכת פסולת חשמלית או אלקטרונית (WEEE) לצורך מחזור. הוראה זו מצוינת באמצעות הסימן המופיע על המוצר, מדרך השמוש או האריזה. בהתאם לתכונותיהם, ניתן למחזר את החומרים. באמצעות מחזור ועיבוד פסולת חשמלית או אלקטרונית, תוכלו לתחם באופן משמעותי להגנה על הסביבה. פנו לרשויות המקומיות למידע בנושא נקודת האיסוף הקרובה אליכם. בכל שאר המדינות: יש לפעול על פי חוקי המחזור המקומיים ביחס לציוד חשמלי ואלקטרוני.

יש לשמור מידע זה. הצבעים והעיטורים עשויים להשתנות. יש להסיר מחברי פלסטיק ודבקים מהמוצר לפני השימוש. מוצר זו עומד בכל התקנים ביחס לילדים מגיל 14 ומעלה. מוצר זה אינו מתאים לשימוש על ידי ילדים מתחת לגיל 14.

www.thrustmaster.com

*רלוונטי רק לאיחוד האירופי ולטורקיה